



US00D649931S

(12) **United States Design Patent**
James

(10) **Patent No.:** **US D649,931 S**

(45) **Date of Patent:** **** Dec. 6, 2011**

(54) **JUMP START**

(75) Inventor: **Chad James**, Spartanburg, SC (US)

(73) Assignee: **International Specialty Services, Inc.**,
Travelers Rest, SC (US)

(**) Term: **14 Years**

(21) Appl. No.: **29/348,209**

(22) Filed: **Dec. 9, 2009**

(51) **LOC (9) Cl.** **13-02**

(52) **U.S. Cl.** **D13/107**

(58) **Field of Classification Search** D13/106-110,
D13/118-119, 184, 199; D15/9; 320/103-105,
320/107-115

See application file for complete search history.

(56) **References Cited**

U.S. PATENT DOCUMENTS

D432,985 S	10/2000	Wan	
RE37,482 E	12/2001	Guay	
D452,474 S	12/2001	Casarella	
D464,619 S	10/2002	Krieger	
D466,862 S *	12/2002	Casarella	D13/107
D474,151 S	5/2003	James	
D483,326 S	12/2003	Krieger	
D484,852 S	1/2004	James	
D503,378 S *	3/2005	Hussaini et al.	D13/107
D504,396 S *	4/2005	Hussaini et al.	D13/107
D504,869 S *	5/2005	Krieger et al.	D13/107
D511,491 S *	11/2005	Hriscu et al.	D13/107
D517,983 S *	3/2006	Krieger et al.	D13/107
D527,342 S *	8/2006	Krieger et al.	D13/107

D530,271 S *	10/2006	Hriscu et al.	D13/107
D530,664 S *	10/2006	Wingerter et al.	D13/107
D545,269 S *	6/2007	Dayan	D13/107
D549,170 S *	8/2007	Yen	D13/107
D585,822 S *	2/2009	Hsu	D13/107
D601,495 S *	10/2009	Shum et al.	D13/107
2005/0156564 A1	7/2005	Krieger	

* cited by examiner

Primary Examiner — Rosemary K Tarcza

(74) *Attorney, Agent, or Firm* — J. Bennett Mullinax, LLC

(57) **CLAIM**

The ornamental design for a jump start, as shown and described.

DESCRIPTION

FIG. 1 is a perspective view of the jump start according to the present design;

FIG. 2 is a front elevation view of the jump start as shown in FIG. 1;

FIG. 3 is a rear elevation view of the jump start as shown in FIG. 1;

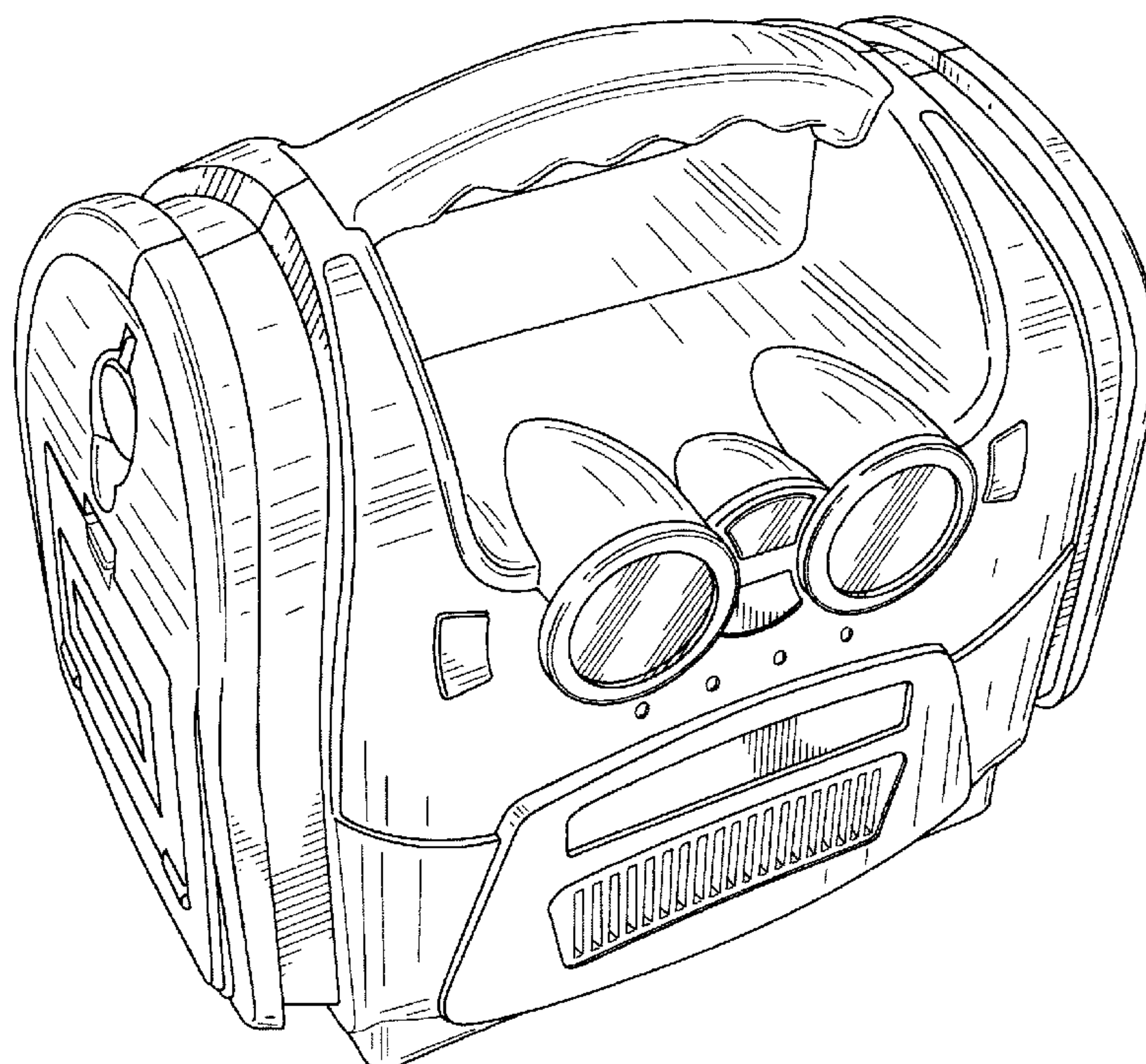
FIG. 4 is a top plan view of the jump start as shown in FIG. 1; FIG. 5 is a bottom plan view of the jump start as shown in FIG. 1;

FIG. 6 is a left side elevation view of the jump start as shown in FIG. 1; and,

FIG. 7 is a right side elevation view of the jump start as shown in FIG. 1.

The broken lines in FIGS. 3, 4, 5, 6 and 7 are for the purpose of illustrating unclaimed portions of the jump start and form no part of the claimed design.

1 Claim, 7 Drawing Sheets



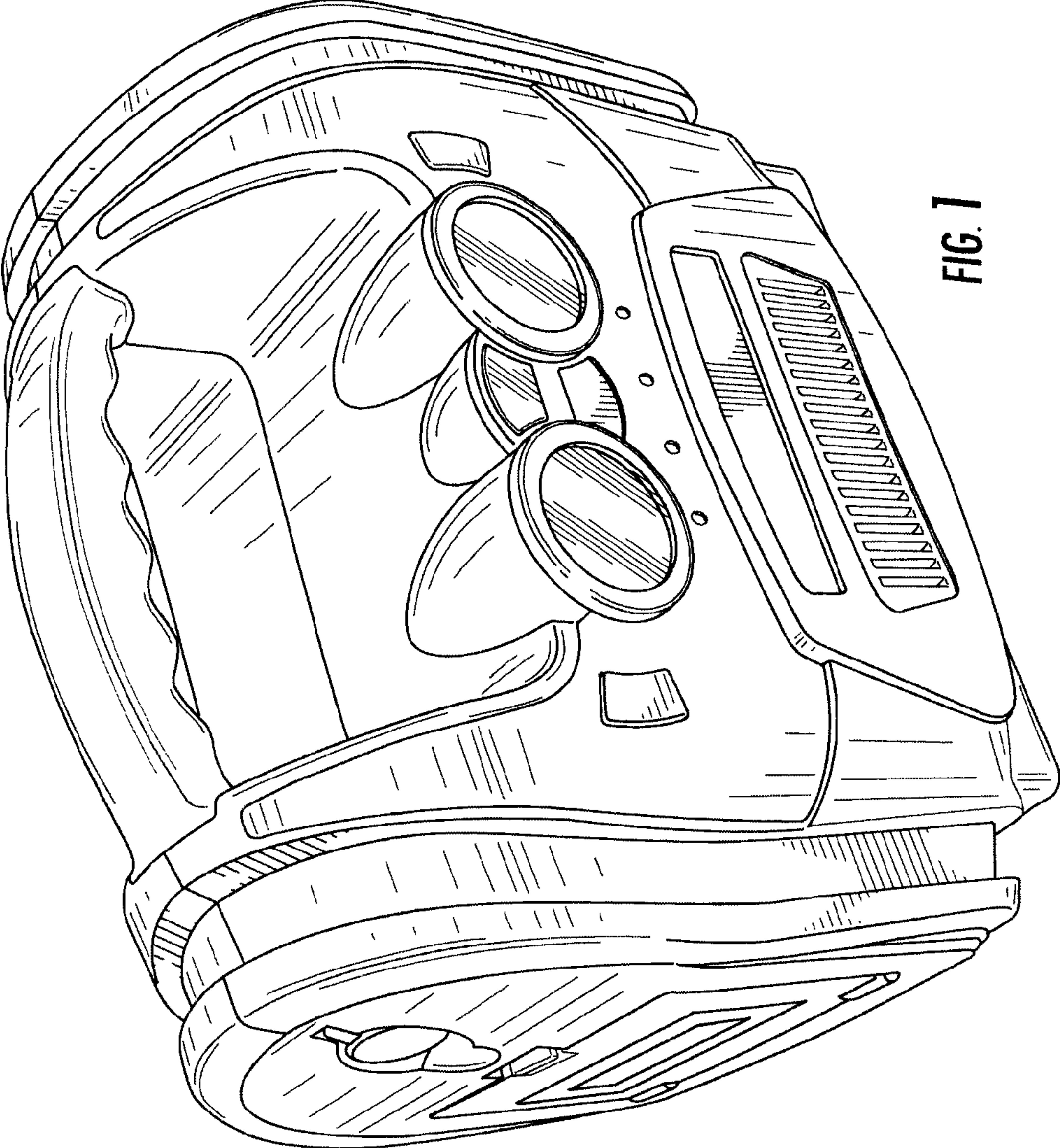


FIG. 7

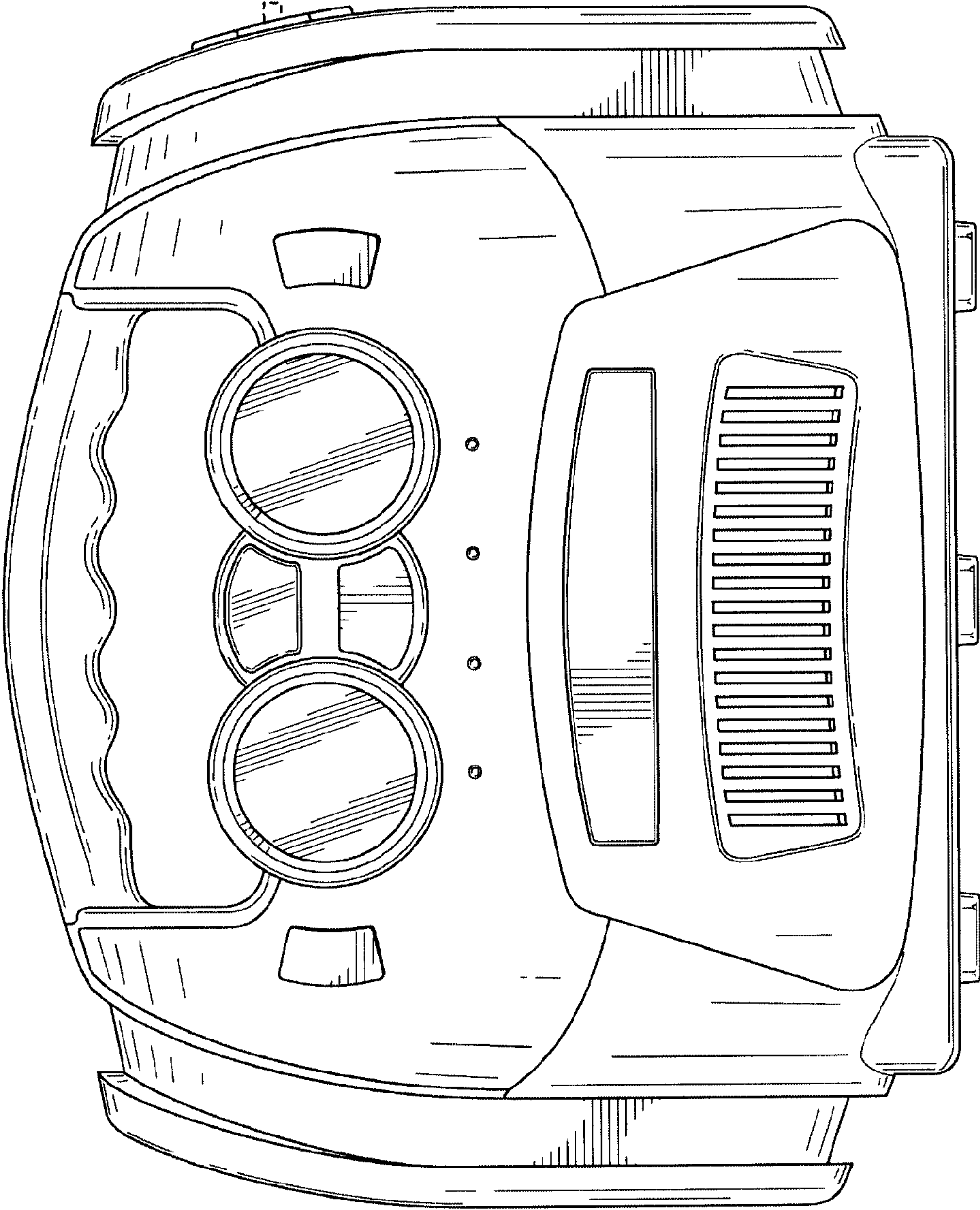


FIG. 2

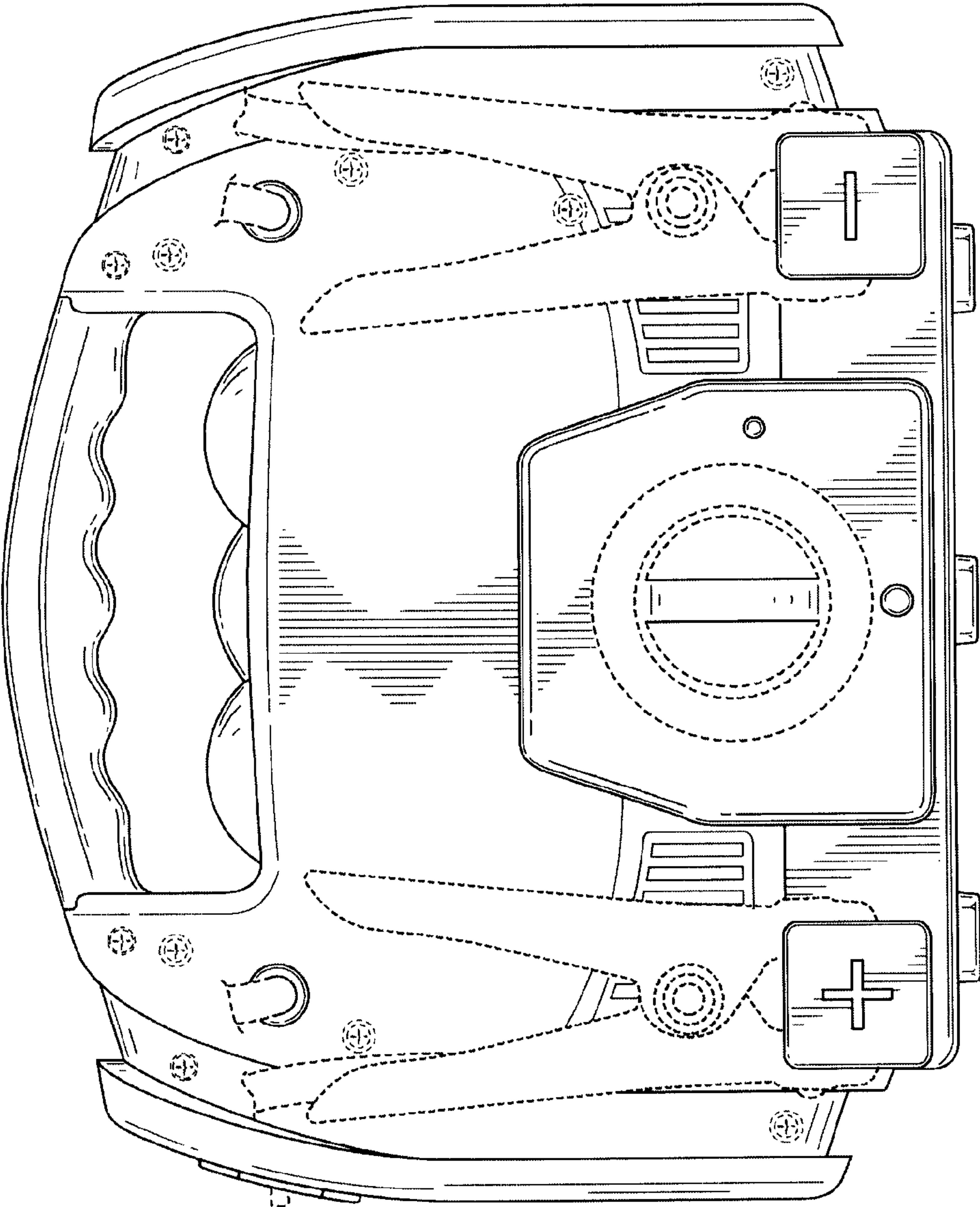


FIG. 3

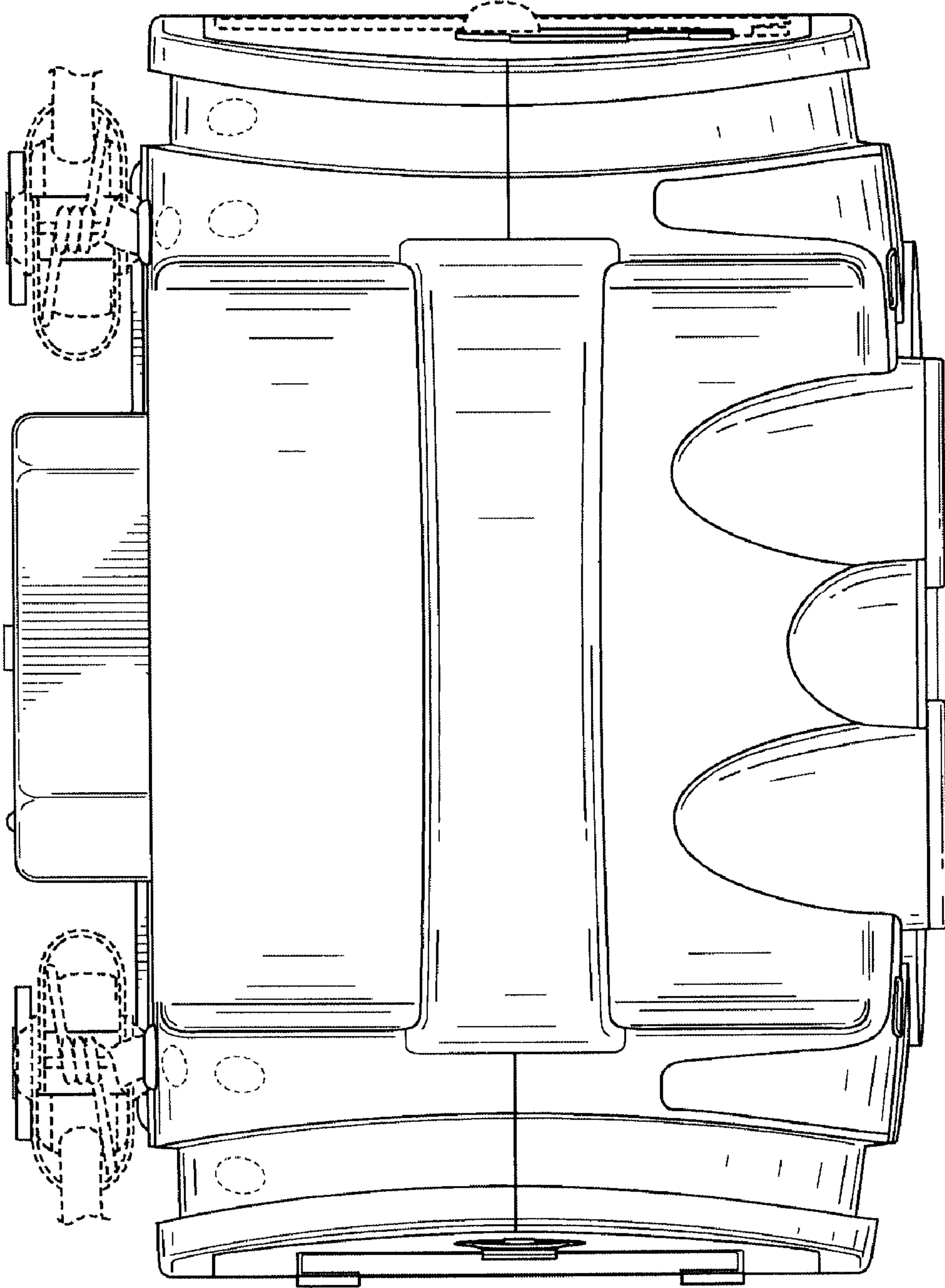


FIG. 4

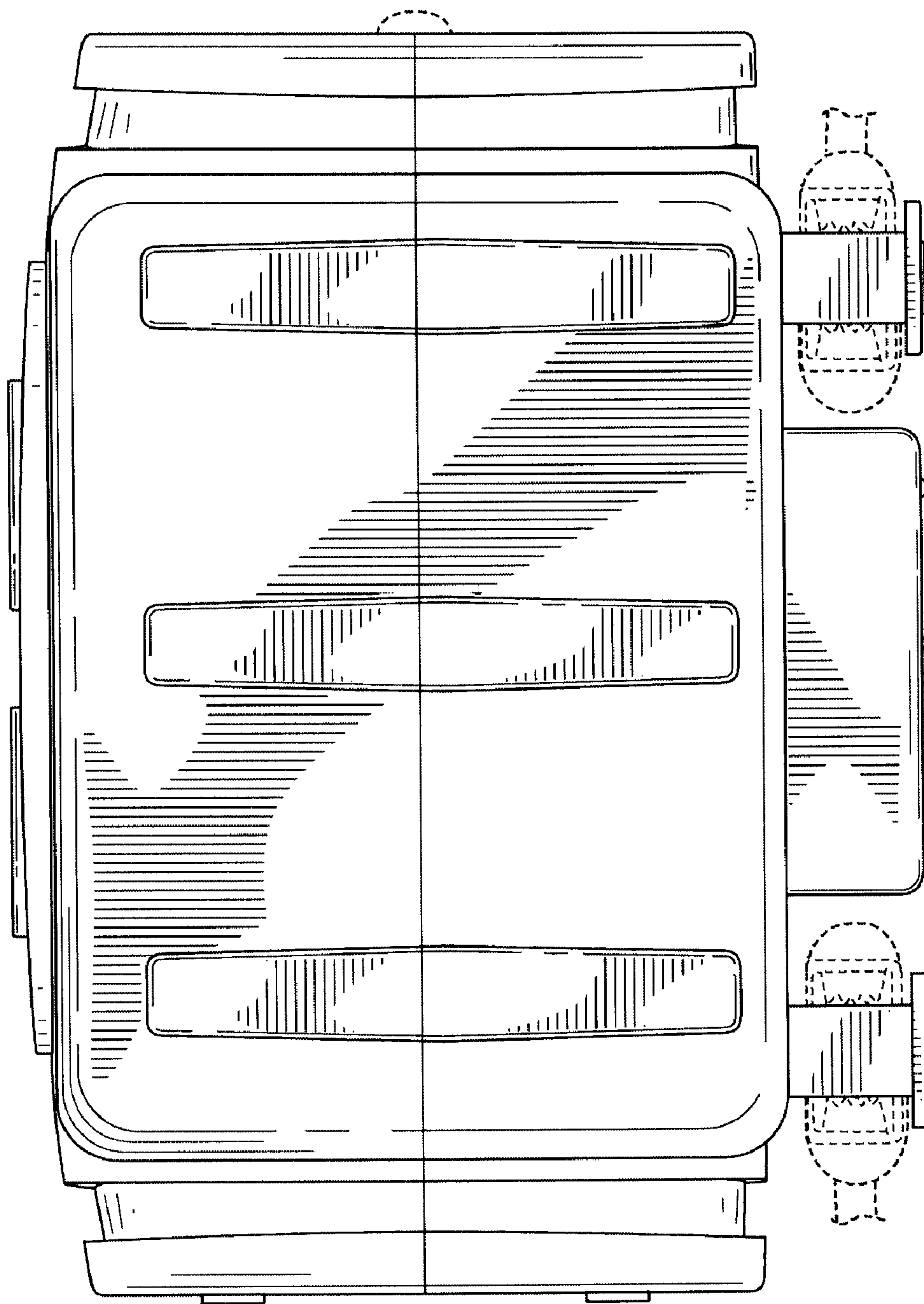


FIG. 5

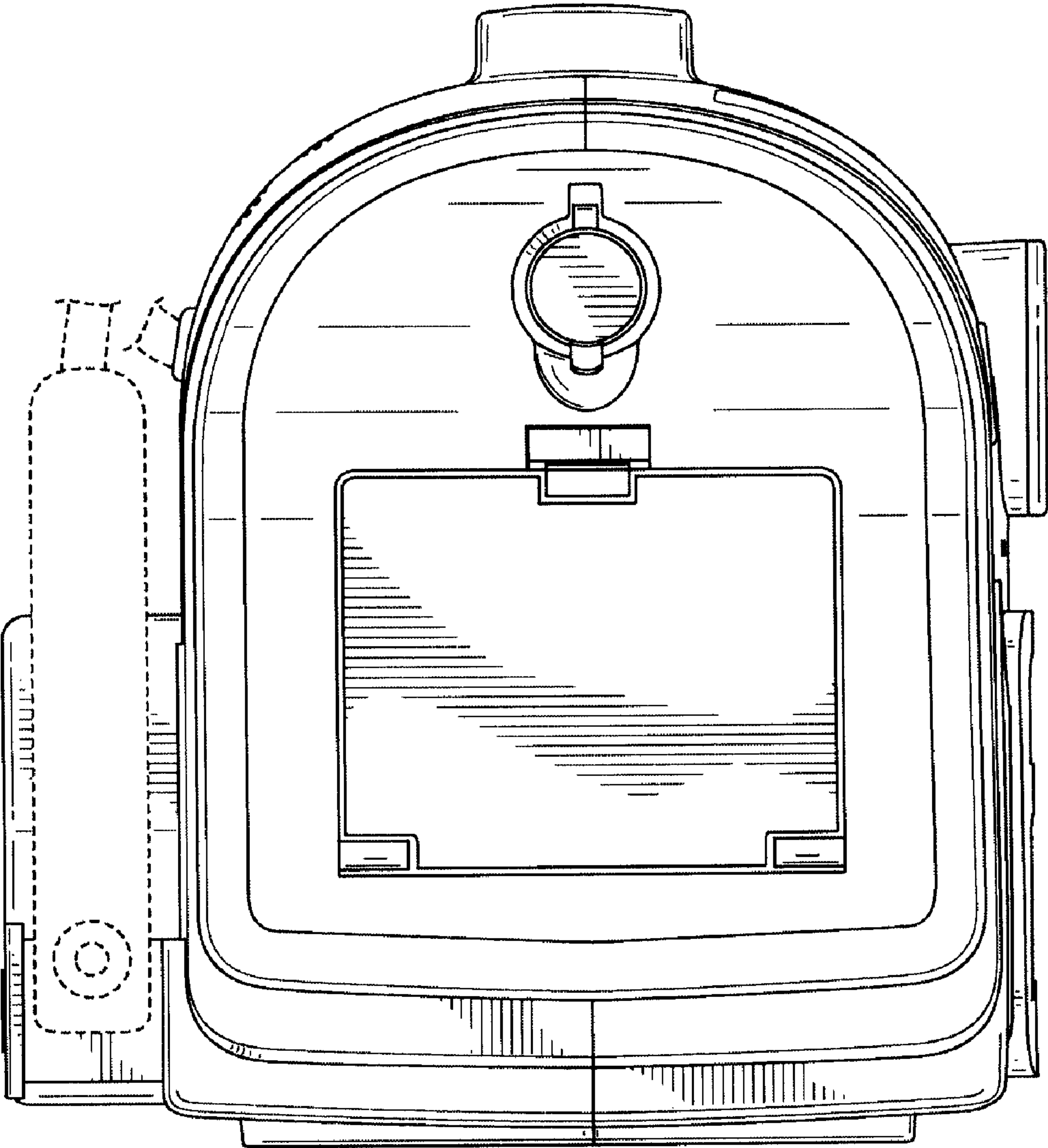


FIG. 6

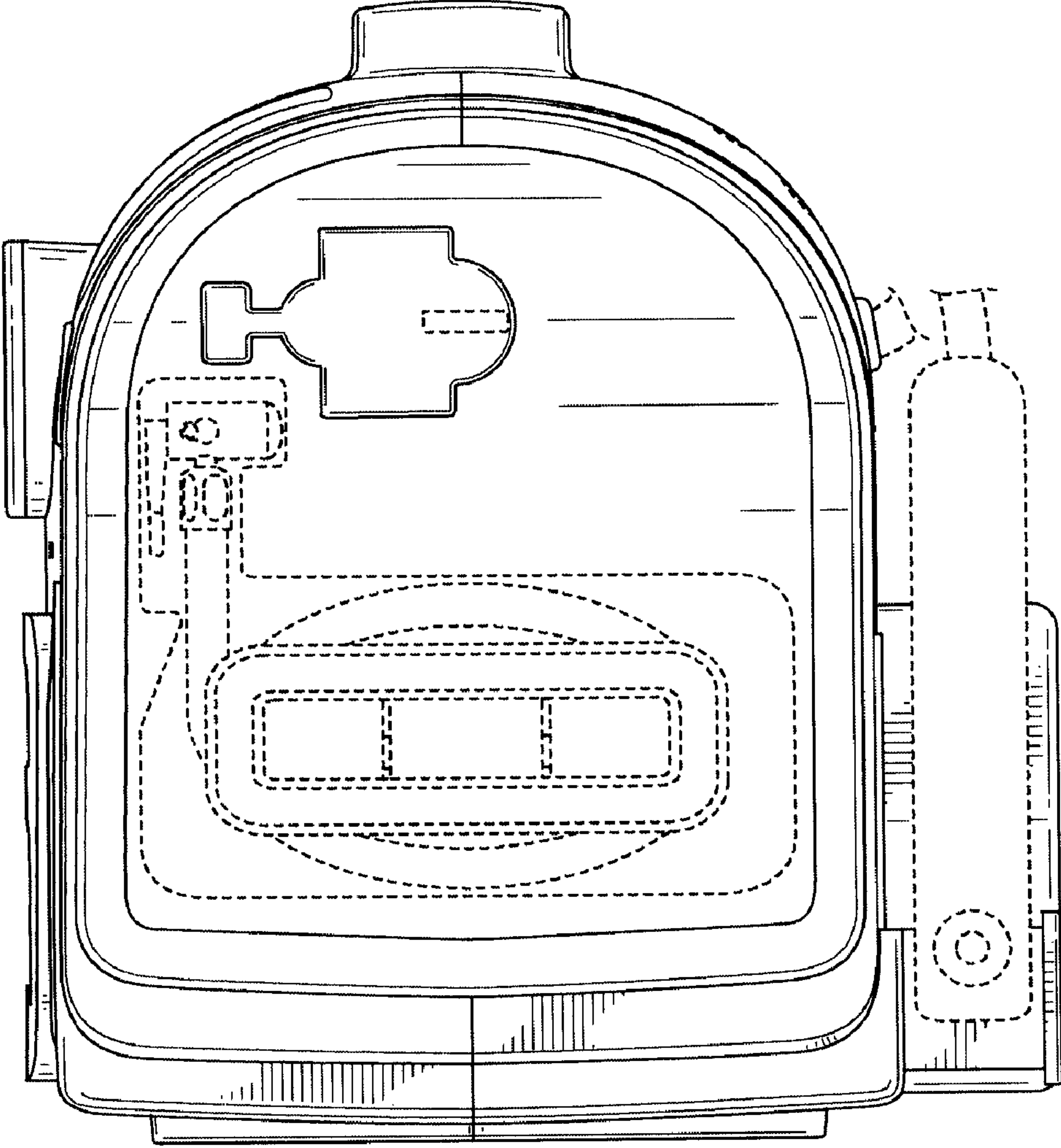


FIG. 7