

US00D649930S

(12) **United States Design Patent**
Lindor

(10) **Patent No.:** **US D649,930 S**

(45) **Date of Patent:** **** Dec. 6, 2011**

(54) **SUN PANEL**

(75) **Inventor:** **Håkan Lindor**, Vetlanda (SE)

(73) **Assignee:** **Sapa Profiler AB**, Vetlanda (SE)

(**) **Term:** **14 Years**

(21) **Appl. No.:** **29/367,758**

(22) **Filed:** **Aug. 12, 2010**

(30) **Foreign Application Priority Data**

Feb. 12, 2010 (SE) 2010/0081

(51) **LOC (9) Cl.** **13-02**

(52) **U.S. Cl.** **D13/102**

(58) **Field of Classification Search** D13/102,
D13/101, 103, 107, 184, 199; D25/56, 61,
D25/68, 134; 52/173.3; 126/569, 571, 600,
126/621, 623, 680, 906; 136/243–246, 251;
248/49, 346.01, 346.02

See application file for complete search history.

(56) **References Cited**

U.S. PATENT DOCUMENTS

4,269,173 A * 5/1981 Krueger et al. 126/634

4,386,600 A * 6/1983 Eggert, Jr. 359/852

5,125,608 A * 6/1992 McMaster et al. 248/163.1
D380,191 S * 6/1997 White D13/102
D408,554 S * 4/1999 Dinwoodie D25/56
6,105,316 A * 8/2000 Bottger et al. 52/173.3
6,563,040 B2 * 5/2003 Hayden et al. 136/244
D611,404 S * 3/2010 Mackler D13/102

* cited by examiner

Primary Examiner — Derrick Holland

(74) *Attorney, Agent, or Firm* — Robert P. Michal, Esq.;
Lucas & Mercanti, LLP

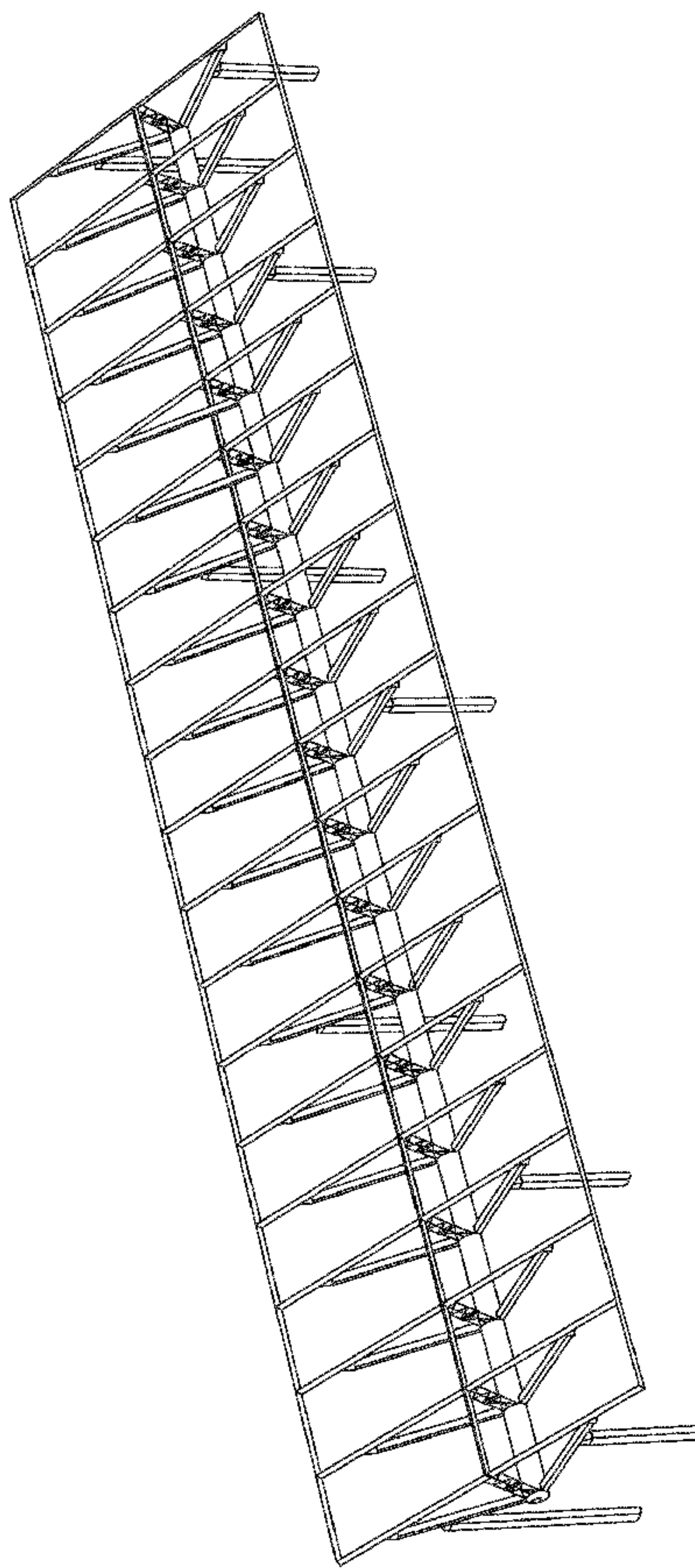
(57) **CLAIM**

The ornamental design for a sun panel, as shown and described.

DESCRIPTION

FIG. 1 is a perspective view of a sun panel showing my new design;
FIG. 2 is a side elevation view thereof;
FIG. 3 is a bottom plan view thereof;
FIG. 4 is a perspective view of a second embodiment of a sun panel shown my new design;
FIG. 5 is a side elevation view thereof; and,
FIG. 6 is a bottom plan view thereof.

1 Claim, 6 Drawing Sheets



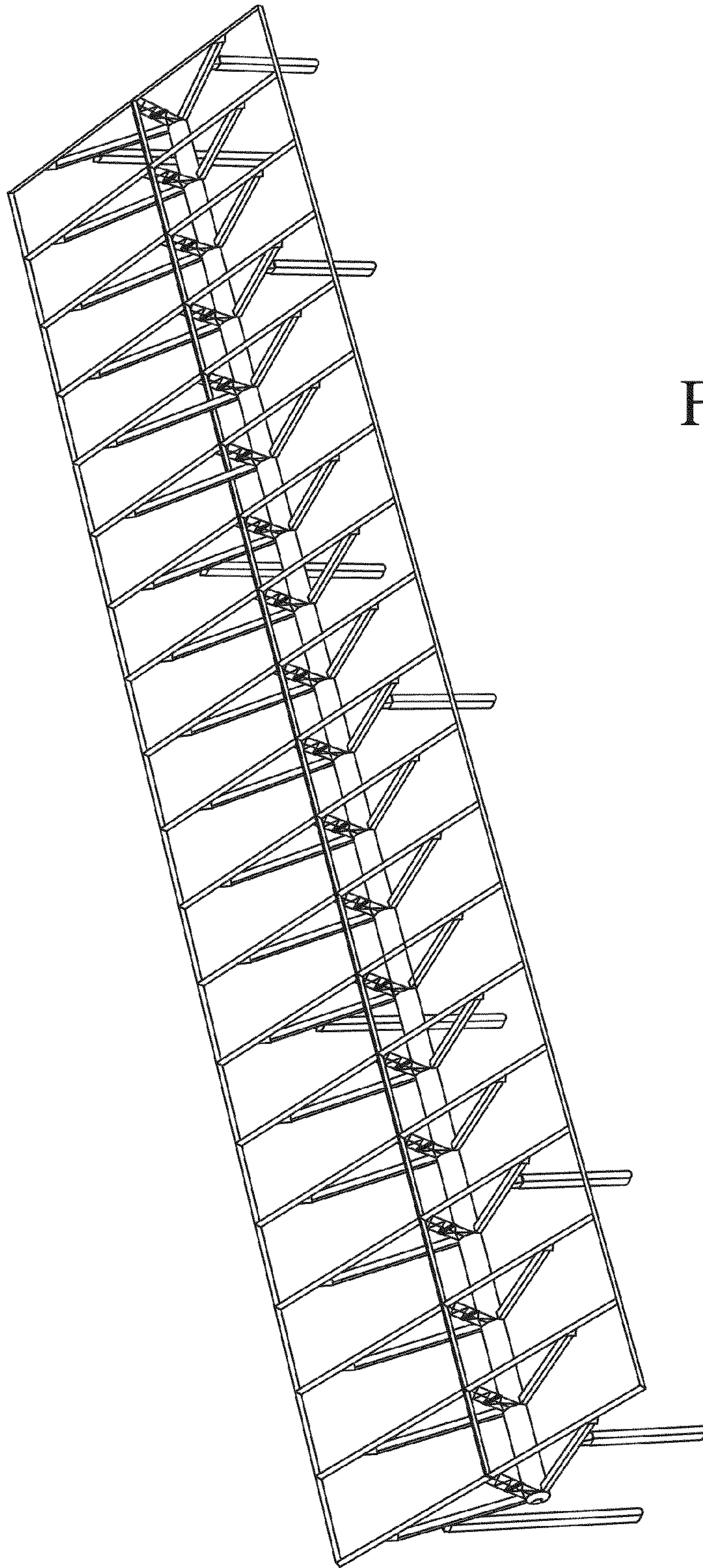


FIG. 1

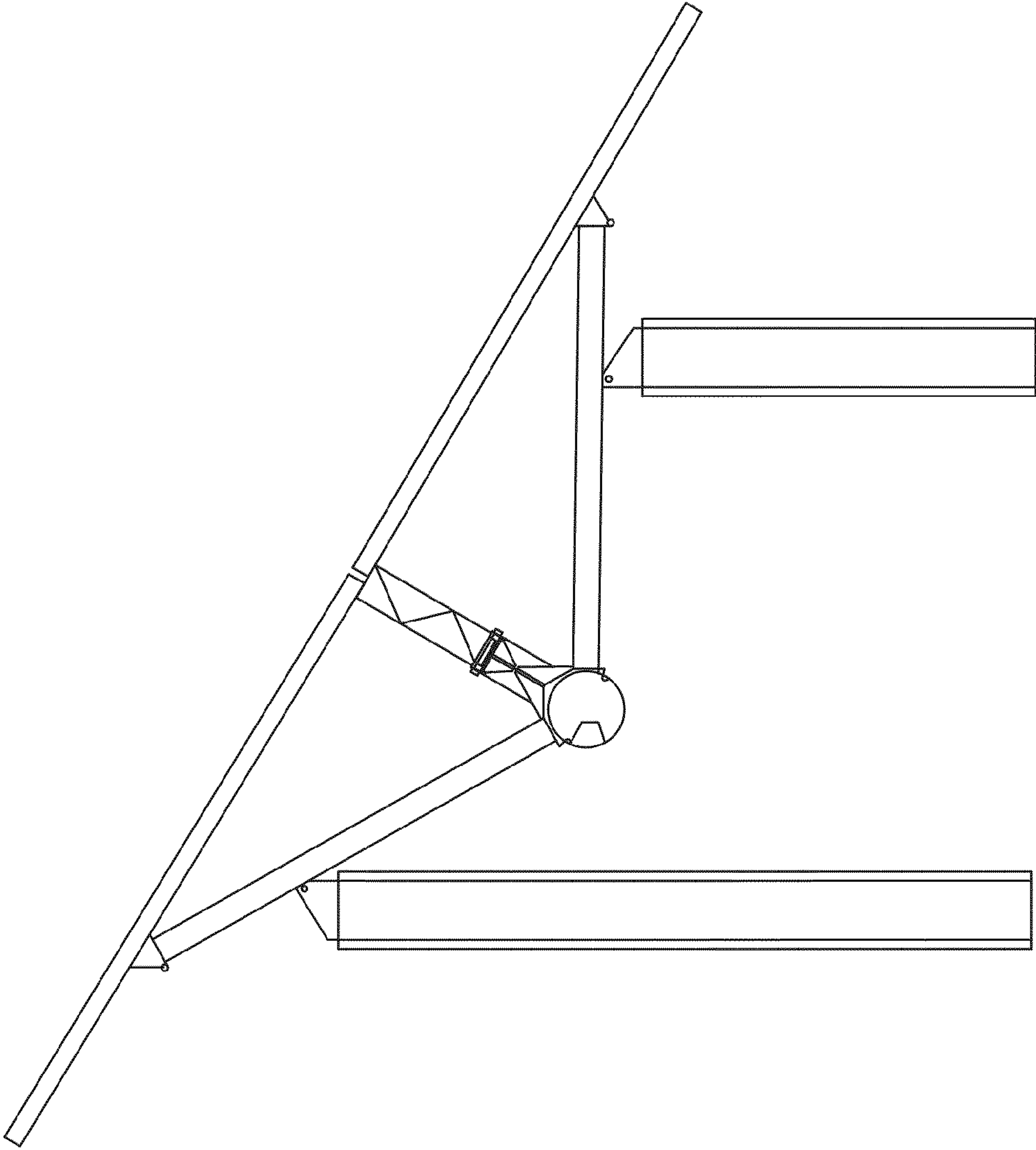


FIG. 2

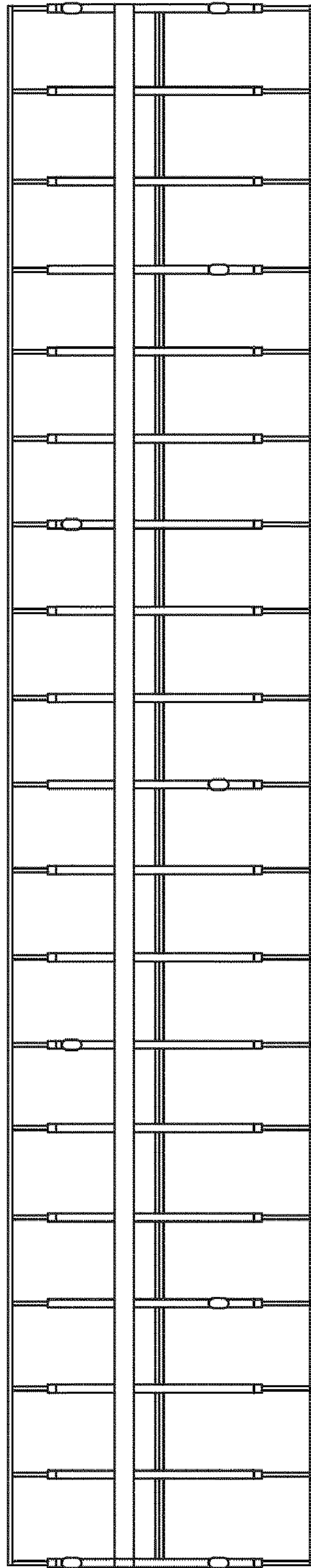


FIG. 3

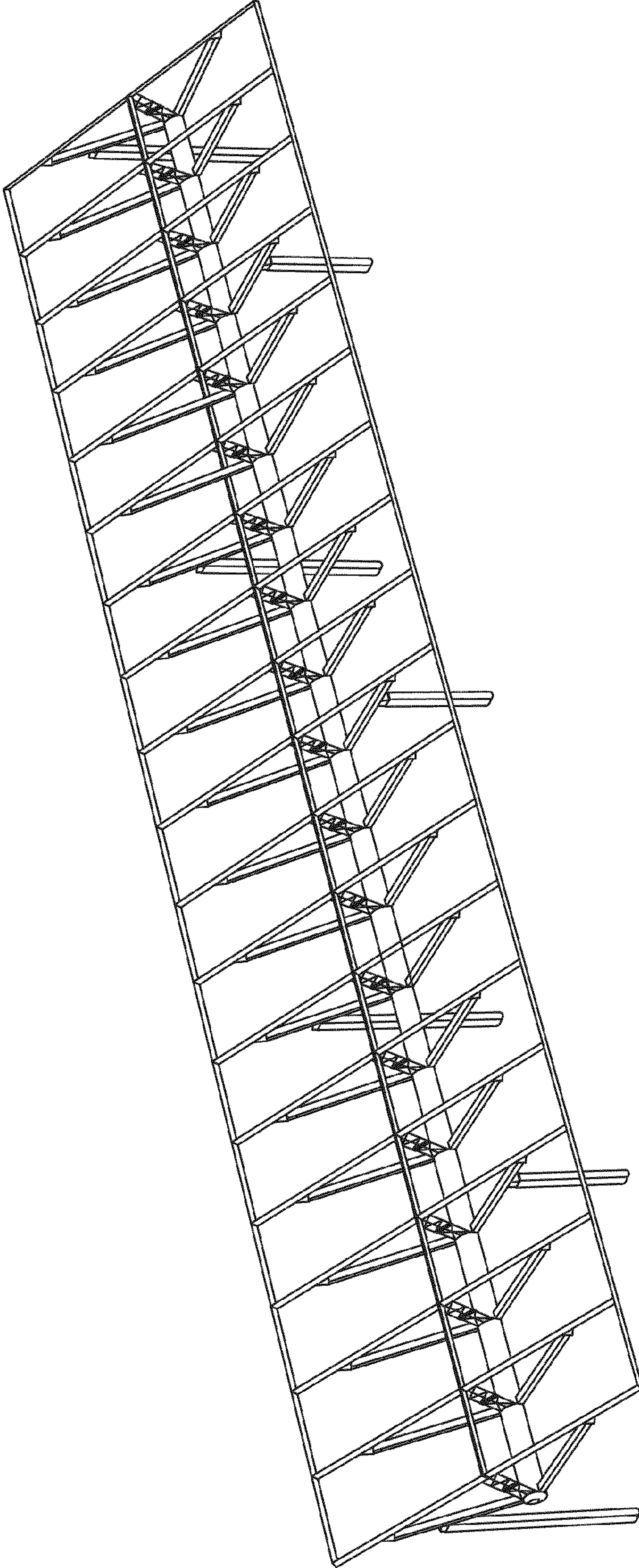


FIG. 4

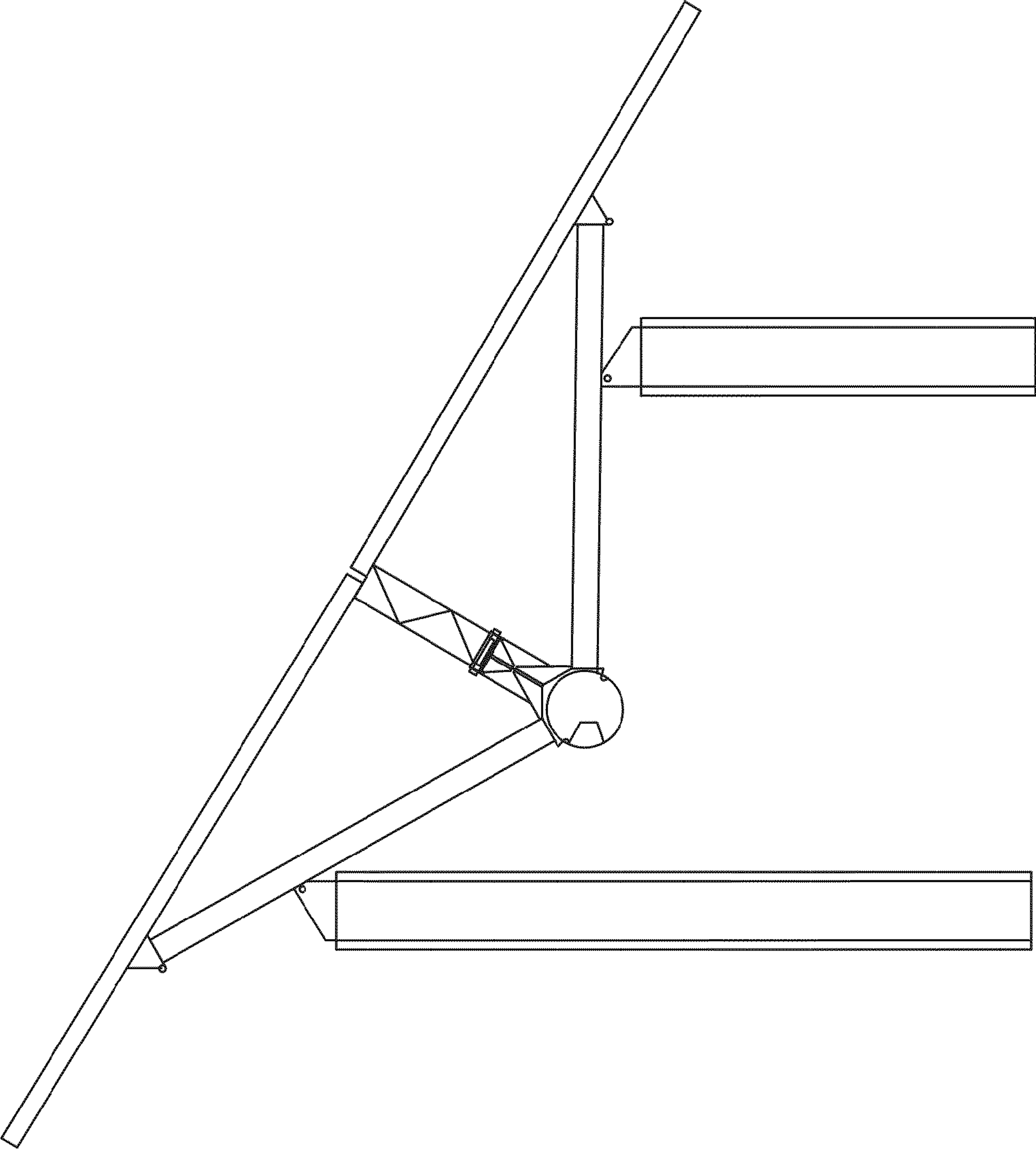


FIG. 5

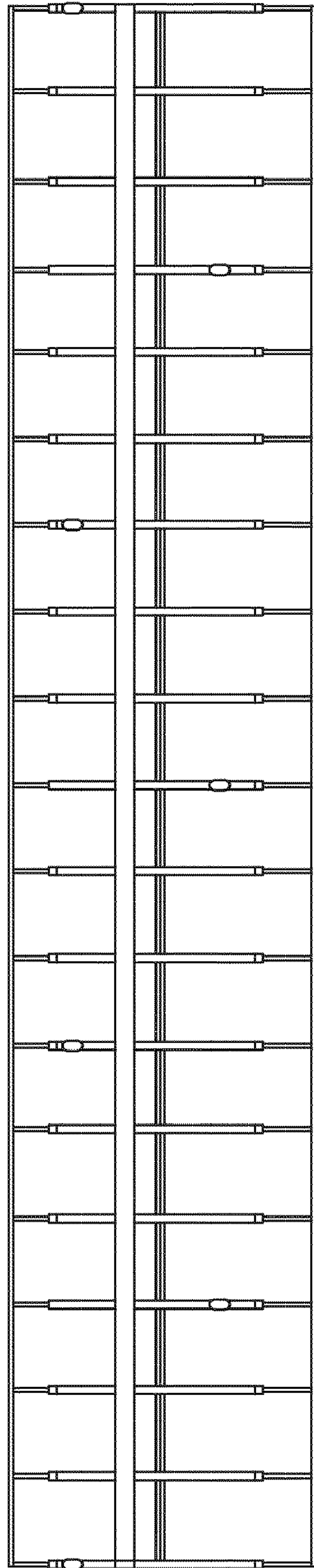


FIG. 6