



US00D649929S

(12) **United States Design Patent**
Hafter et al.

(10) **Patent No.:** **US D649,929 S**

(45) **Date of Patent:** **** Dec. 6, 2011**

(54) **PHOTOVOLTAIC STRUCTURE**

(75) Inventors: **Eric Hafter**, Sacramento, CA (US);
John C. Patton, Granite Bay, CA (US);
James Gillespy, Granite Bay, CA (US);
YangLin Li, ShenZhen (CN)

(73) Assignee: **Solar Power, Inc.**, Roseville, CA (US)

(**) Term: **14 Years**

(21) Appl. No.: **29/360,106**

(22) Filed: **Apr. 20, 2010**

(51) **LOC (9) Cl.** **13-02**

(52) **U.S. Cl.** **D13/102**

(58) **Field of Classification Search** D13/102,
D13/101, 107, 184, 199; D25/56, 61, 68,
D25/134; 52/173.3; 126/569, 571, 600,
126/621, 623, 680, 906; 136/243-246, 251;
248/49, 346.01, 346.02

See application file for complete search history.

(56) **References Cited**

U.S. PATENT DOCUMENTS

4,111,188	A	9/1978	Murphy, Jr.	
4,184,476	A	1/1980	McArthur	
4,245,895	A *	1/1981	Wildenrotter	359/848
4,429,872	A	2/1984	Capachi	
4,966,631	A	10/1990	Matlin et al.	
4,991,370	A	2/1991	Gailey	
5,143,556	A	9/1992	Matlin	
5,164,020	A	11/1992	Wagner et al.	
5,228,644	A	7/1993	Garriott et al.	
5,289,356	A	2/1994	Winston	
5,344,496	A	9/1994	Stern et al.	
5,409,549	A	4/1995	Mori	
5,497,587	A	3/1996	Hirai et al.	
5,505,788	A	4/1996	Dinwoodie	
5,522,180	A	6/1996	Adler	
5,537,991	A	7/1996	Winston et al.	
5,571,338	A	11/1996	Kadonome et al.	
5,706,617	A	1/1998	Hirai et al.	

5,746,029	A	5/1998	Ullman	
5,746,839	A	5/1998	Dinwoodie	
5,881,713	A	3/1999	Lai	
D408,554	S *	4/1999	Dinwoodie	D25/56
6,058,930	A	5/2000	Shingleton	
6,093,884	A	7/2000	Toyomura et al.	
6,111,189	A *	8/2000	Garvison et al.	136/244
6,201,180	B1	3/2001	Meyer et al.	

(Continued)

FOREIGN PATENT DOCUMENTS

DE 29703481 U1 11/1997

(Continued)

OTHER PUBLICATIONS

www.thompsontec.com; Flush Mount Rail System, Technical Specifications; 2008; 2 pgs.

(Continued)

Primary Examiner — Stella Reid

Assistant Examiner — Derrick Holland

(74) *Attorney, Agent, or Firm* — Santangelo Law Offices

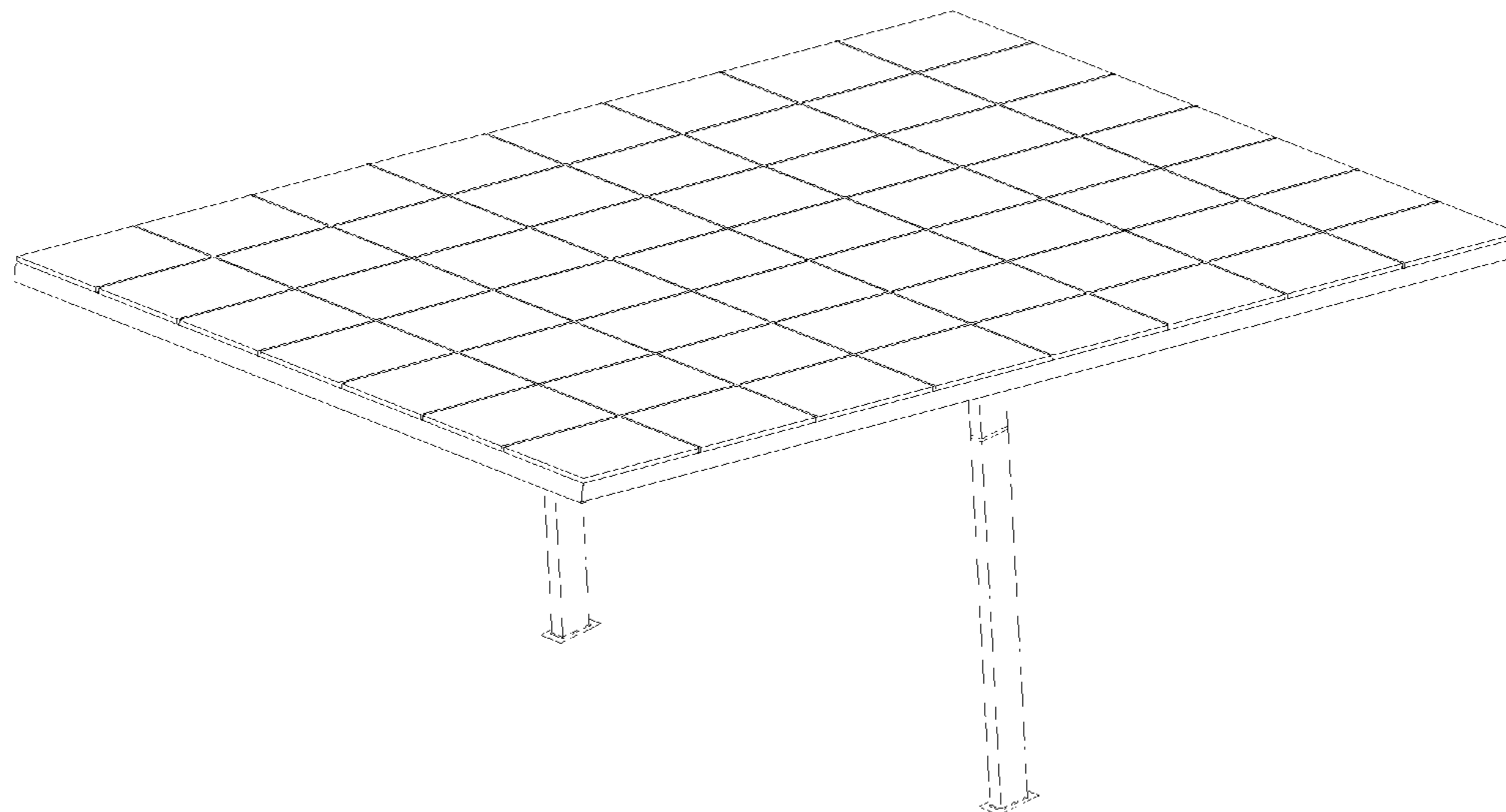
(57) **CLAIM**

The ornamental design for a photovoltaic structure, as shown and described.

DESCRIPTION

FIG. 1 is a top perspective view of a photovoltaic structure showing our new design;
FIG. 2 is a bottom perspective view thereof;
FIG. 3 is a left side view thereof;
FIG. 4 is a front view thereof;
FIG. 5 is a right side view thereof;
FIG. 6 is a back view thereof;
FIG. 7 is a top plan view thereof; and,
FIG. 8 is a bottom plan view thereof.
The broken lines shown represent unclaimed subject matter and form no part of the claimed design.

1 Claim, 8 Drawing Sheets



U.S. PATENT DOCUMENTS

6,207,889	B1	3/2001	Toyomura et al.	
6,269,596	B1	8/2001	Ohtsuka et al.	
6,360,491	B1	3/2002	Ullman	
6,465,724	B1	10/2002	Garvison et al.	
6,467,916	B2	10/2002	Winston	
6,501,013	B1	12/2002	Dinwoodie	
D469,399	S *	1/2003	Shugar	D13/102
6,521,821	B2	2/2003	Makita et al.	
6,534,703	B2	3/2003	Dinwoodie	
6,617,507	B2 *	9/2003	Mapes et al.	136/251
6,670,541	B2	12/2003	Nagao et al.	
6,672,018	B2	1/2004	Shingleton	
D487,884	S *	3/2004	Peress et al.	D13/102
6,784,360	B2	8/2004	Nakajima et al.	
6,809,251	B2	10/2004	Dinwoodie	
D505,113	S *	5/2005	Lam	D13/107
D510,315	S	10/2005	Shugar et al.	
6,958,868	B1	10/2005	Pender	
6,959,517	B2	11/2005	Poddany et al.	
6,987,604	B2	1/2006	Rabinowitz et al.	
RE38,988	E	2/2006	Dinwoodie	
D519,444	S	4/2006	Mascolo	
7,043,884	B2	5/2006	Moreno	
D524,727	S *	7/2006	Yamashita et al.	D13/102
7,156,088	B2	1/2007	Luconi	
D567,643	S	4/2008	Campbell	
7,388,146	B2	6/2008	Fraas et al.	
7,406,800	B2	8/2008	Cinnamon et al.	
7,435,134	B2	10/2008	Lenox	
7,447,292	B2	11/2008	Hsu et al.	
D586,737	S	2/2009	Shugar et al.	
7,554,030	B2	6/2009	Shingleton	
7,592,537	B1	9/2009	West	
2002/0066235	A1	6/2002	Stearns et al.	
2003/0015637	A1	1/2003	Liebendorfer	
2003/0070368	A1	4/2003	Shingleton	
2004/0007260	A1	1/2004	Dinwoodie	
2004/0163338	A1	8/2004	Liebendorfer	
2004/0261955	A1	12/2004	Singleton et al.	
2006/0054212	A1	3/2006	Fraas et al.	
2007/0102036	A1	5/2007	Cinnamon	
2007/0144575	A1	6/2007	Mascolo et al.	
2007/0151594	A1	7/2007	Mascolo et al.	
2007/0272234	A1	11/2007	Allen et al.	
2007/0295384	A1	12/2007	Uozumi et al.	
2007/0295392	A1	12/2007	Cinnamon	
2007/0295393	A1	12/2007	Cinnamon	
2008/0099062	A1	5/2008	Armstrong et al.	

2008/0216418	A1	9/2008	Durham
2008/0230047	A1	9/2008	Shuger et al.
2008/0245360	A1	10/2008	Almz et al.
2009/0014130	A1	1/2009	Heidenreich
2009/0050194	A1	2/2009	Noble et al.
2009/0078299	A1	3/2009	Cinnamon et al.
2009/0223142	A1	9/2009	Shingleton et al.

FOREIGN PATENT DOCUMENTS

JP	2000064523	2/2000
WO	2007038760	A2 4/2007
WO	2009137809	A1 11/2009

OTHER PUBLICATIONS

<http://www.quicknountpv.com/products.php>; Quick Mount PV Products; Manufacturer of Waterproof Mounts for the PV Industry; 2 pages, Oct. 2007.

<http://tisolar.com/products/flatjack.html>; Flat Jack Roof Mount Order Form; 2 pgs; 2008-2010.

www.quicknountpv.com; Installation Instructions; 1 pg; 2009.

Solar Power System Installation Manual; SRS Mounting System, Rectantular Modules; Sharp Electronics Corp., 44 pages; Jun. 5, 2007.

http://www.we-llc.com/WEEB_howitworks.html; Wiley Electronics, LLC; Bonding a PV module to an anodized aluminum frame using the WEEB; 1 page; 2005.

www.thompsonetec.com; Flat Jack, Technical Specifications; 2008; 2 pages.

Chorus Tubes—Structural & Conveyance Business; Design guide for SHS Concrete Filled Columns; Apr. 2005, 64 pages.

www.csufresno.edu; a Photovoltaic (PV) Solar Parking Structure; California State University—Fresno; 2007, 1 page.

Photovoltaic Parking Shade Structure; Enviromena Power Systems, LLC; 2 pages; 2009.

www.envisionsolar.com/project-portfolio; 2010, 4 pages.

nmsu.edu; NMSU Student Health Center, 18kW Grid-Tied Photovoltaic Parking Structure description; 2007, 1 page.

nmsu.edu; NMSU Student Health Center, 18kW Grid-Tied Photovoltaic Parking Structure pictures; 2007, 2 pages.

www.protekparksolar.com/solar-structures, 2 pages, printed Mar. 30, 2010.

International Application No. PCT/US2010/031792, International Search Report dated Aug. 11, 2010.

International Application No. PCT/US2010/031792, Written Opinion of the International Searching Authority dated Aug. 11, 2010.

* cited by examiner

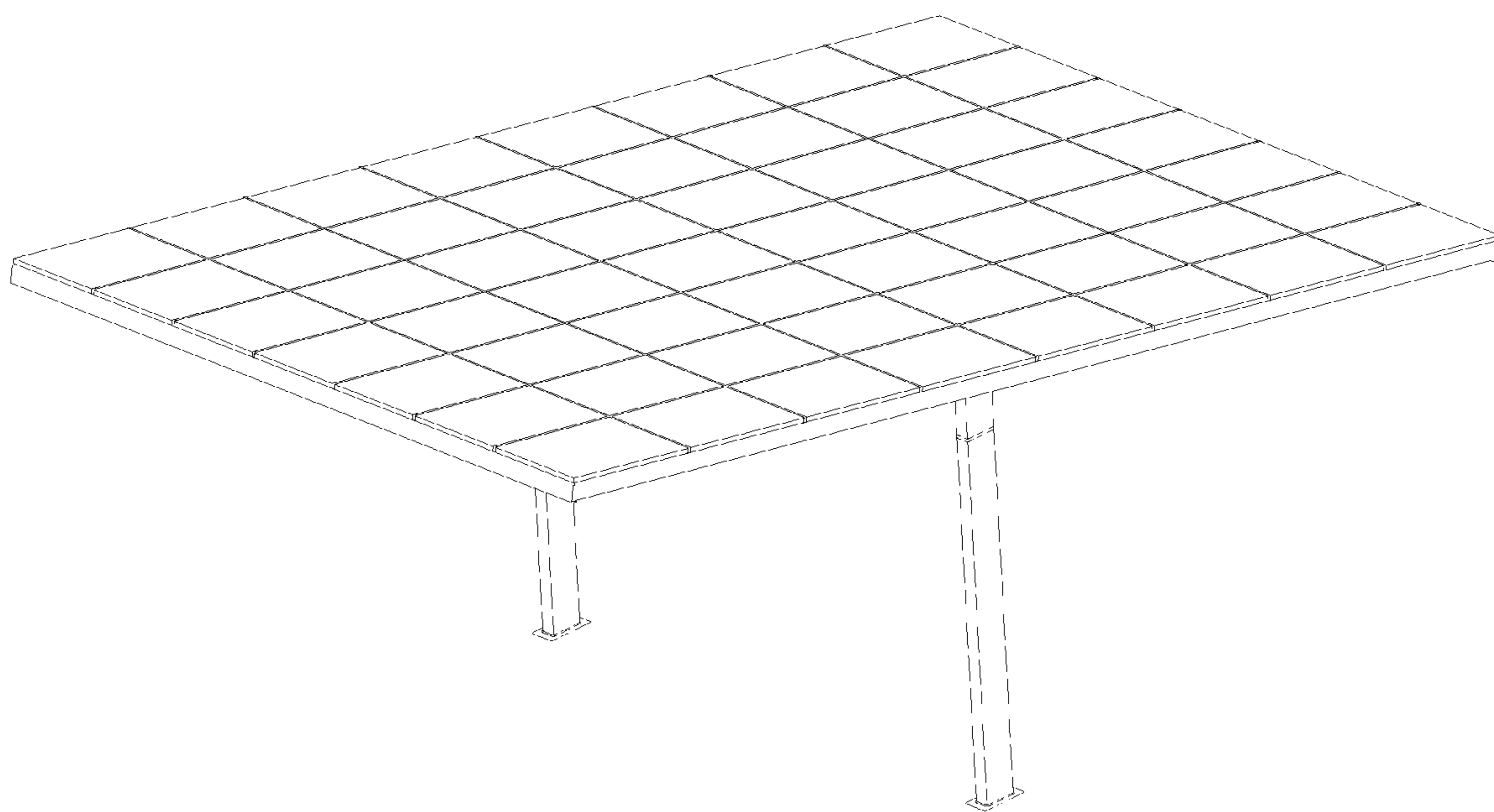


FIG. 1

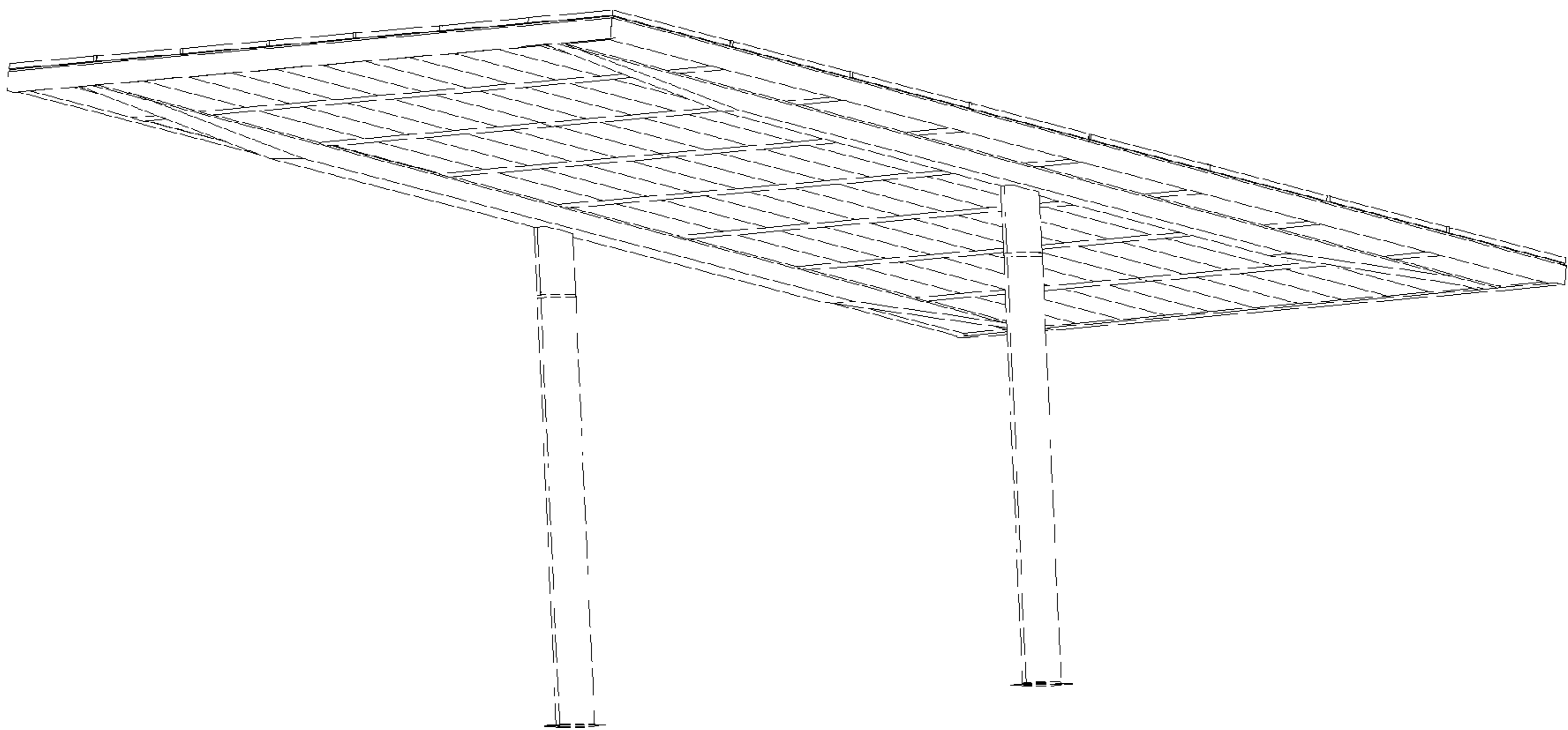


FIG. 2

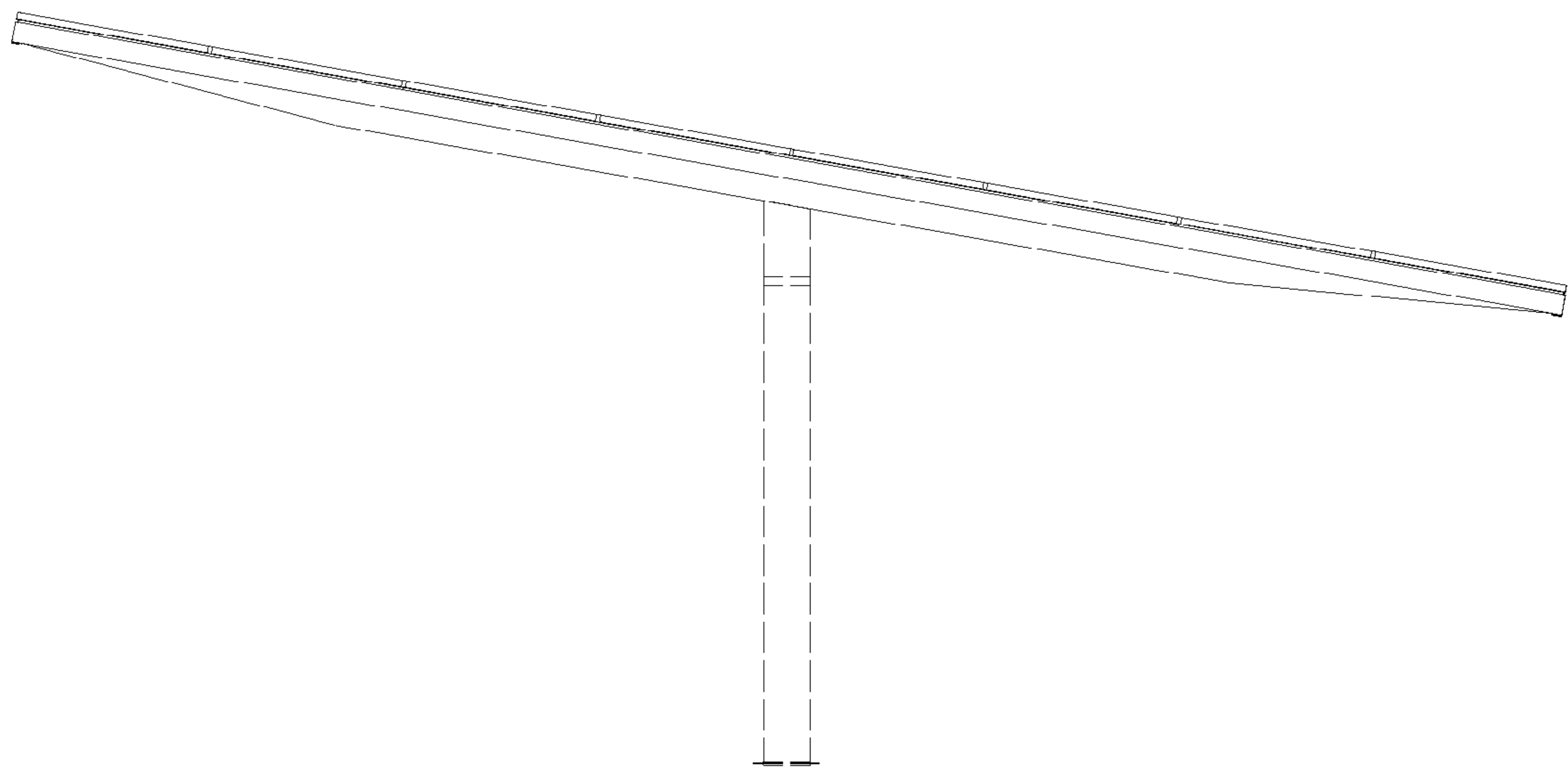


FIG. 3

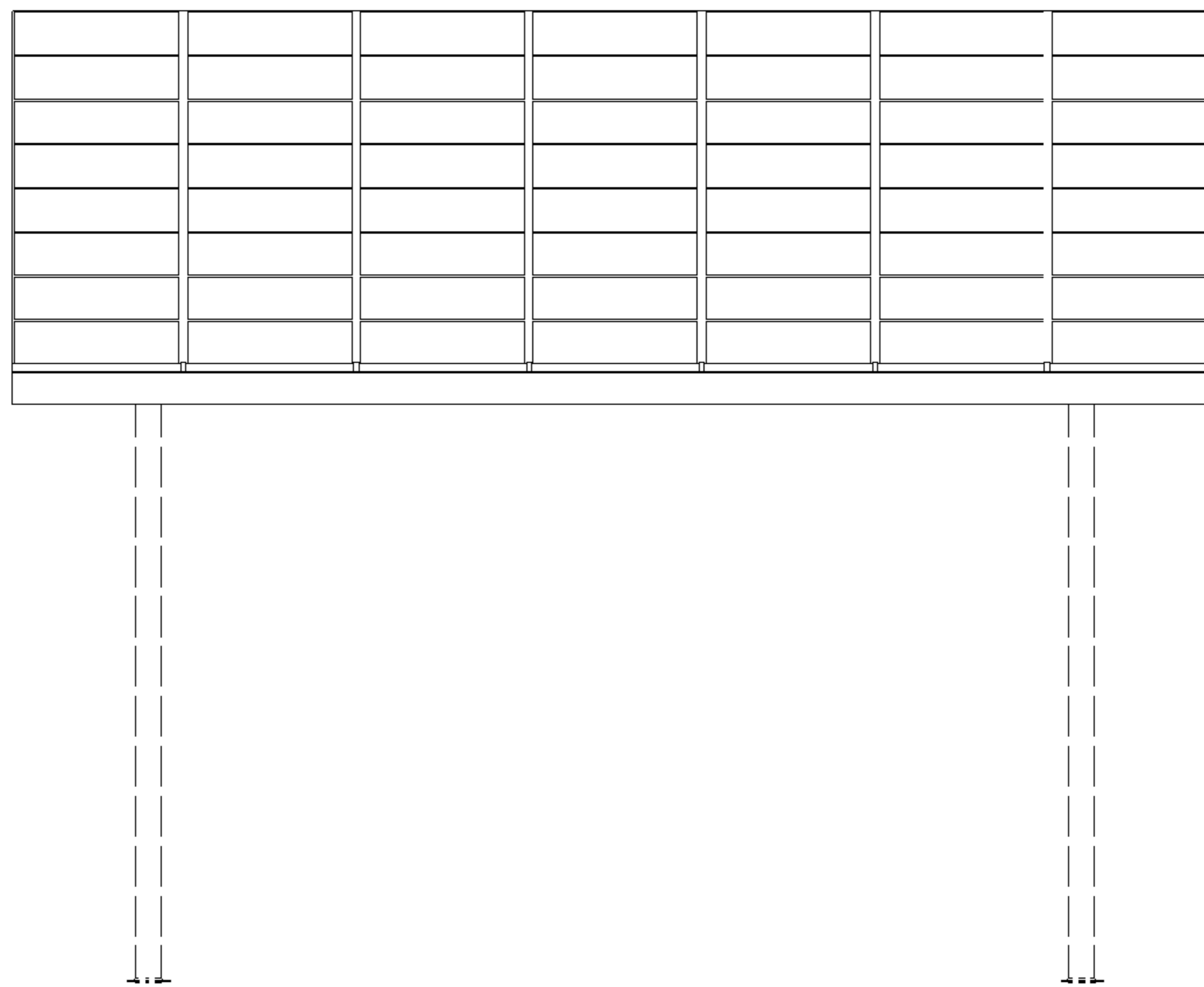


FIG. 4

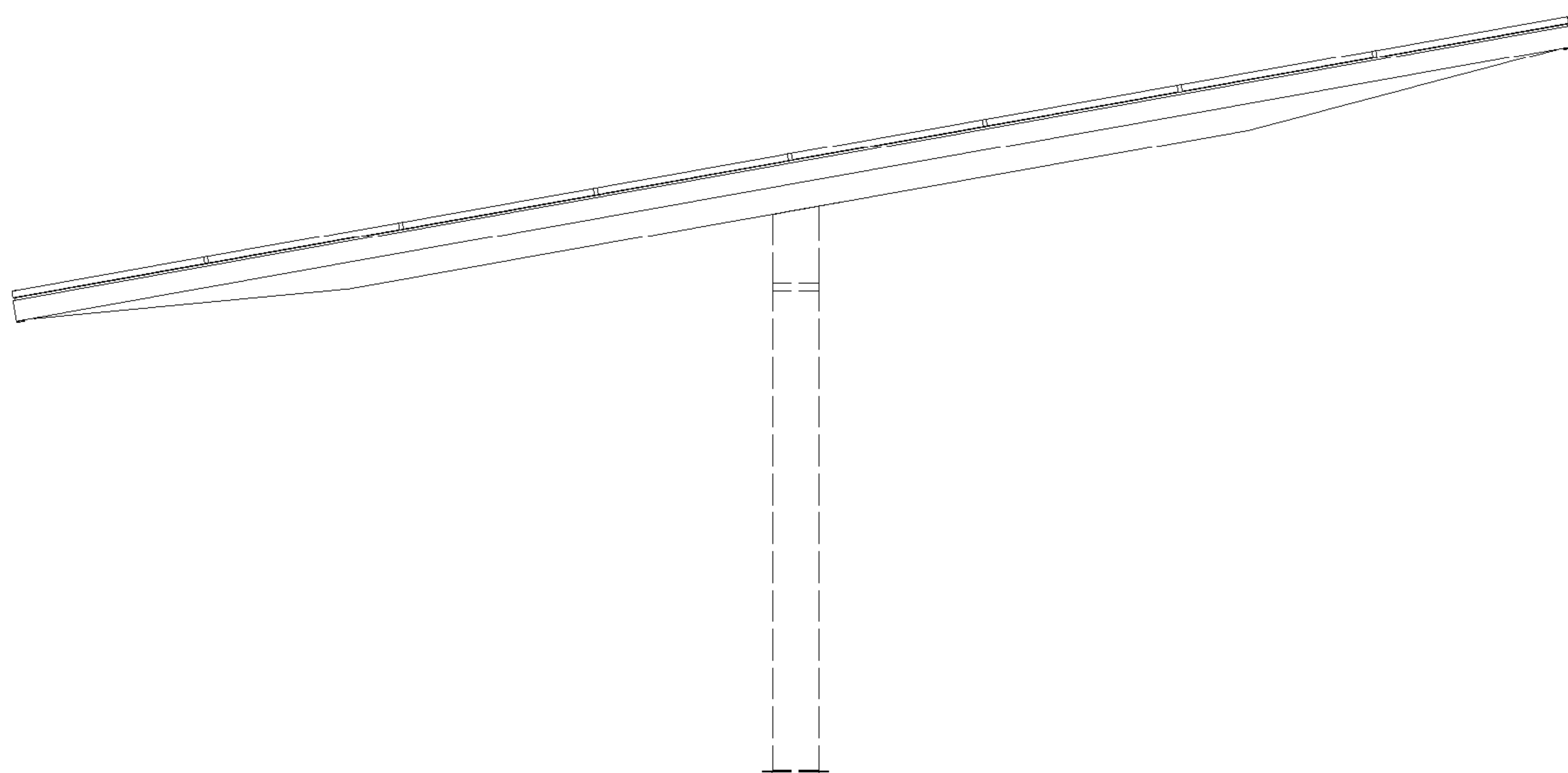


FIG. 5

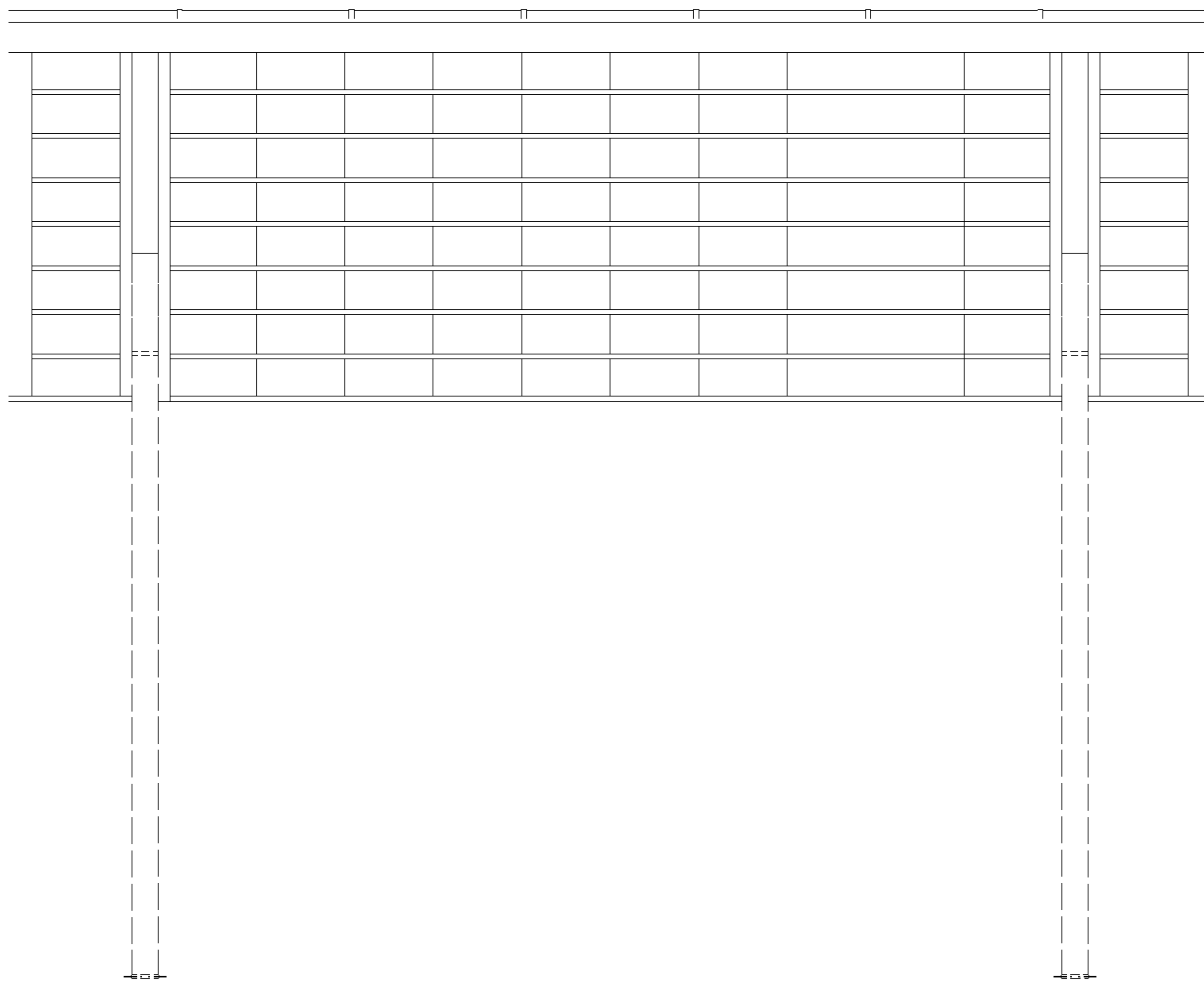


FIG. 6

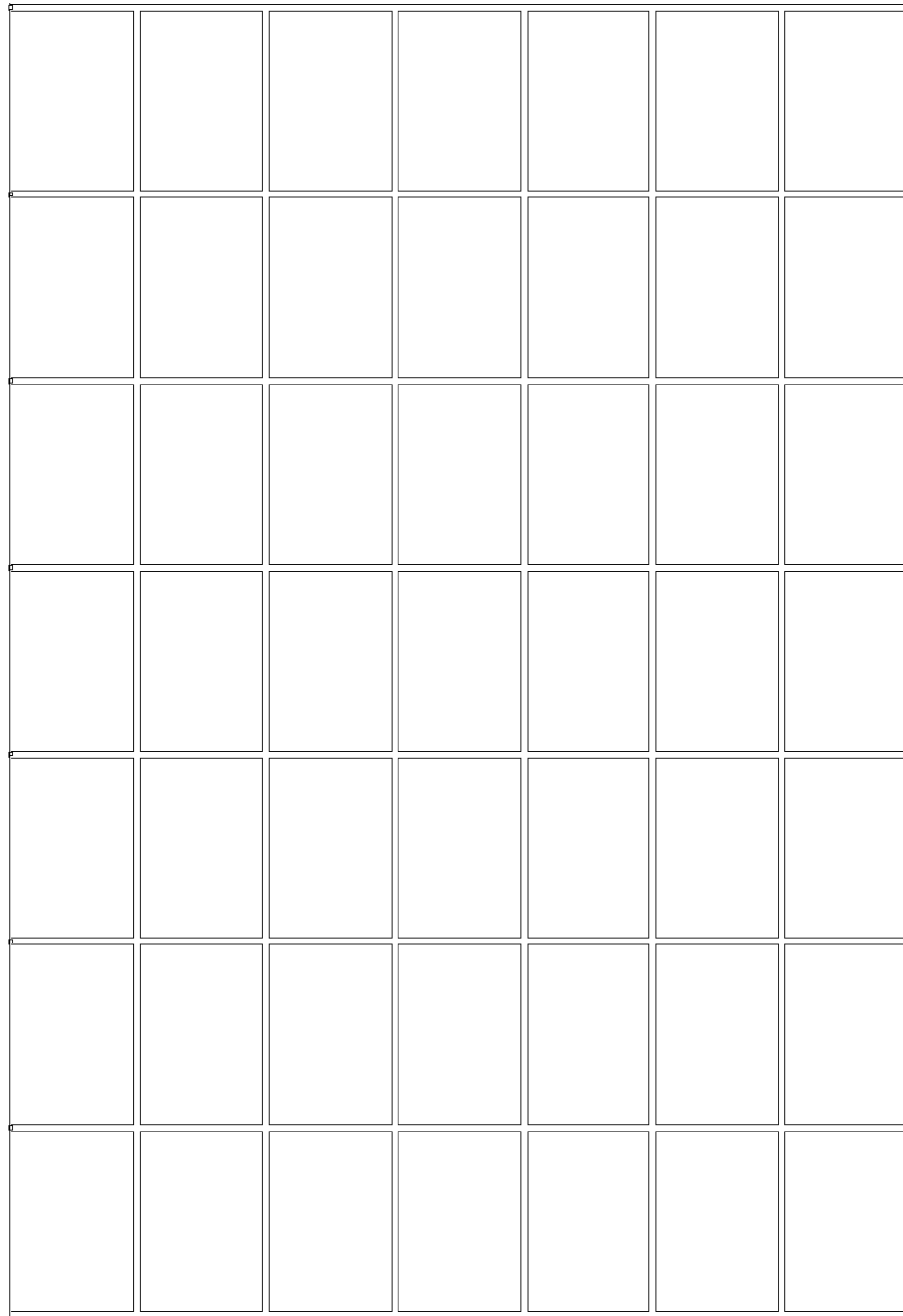


FIG. 7

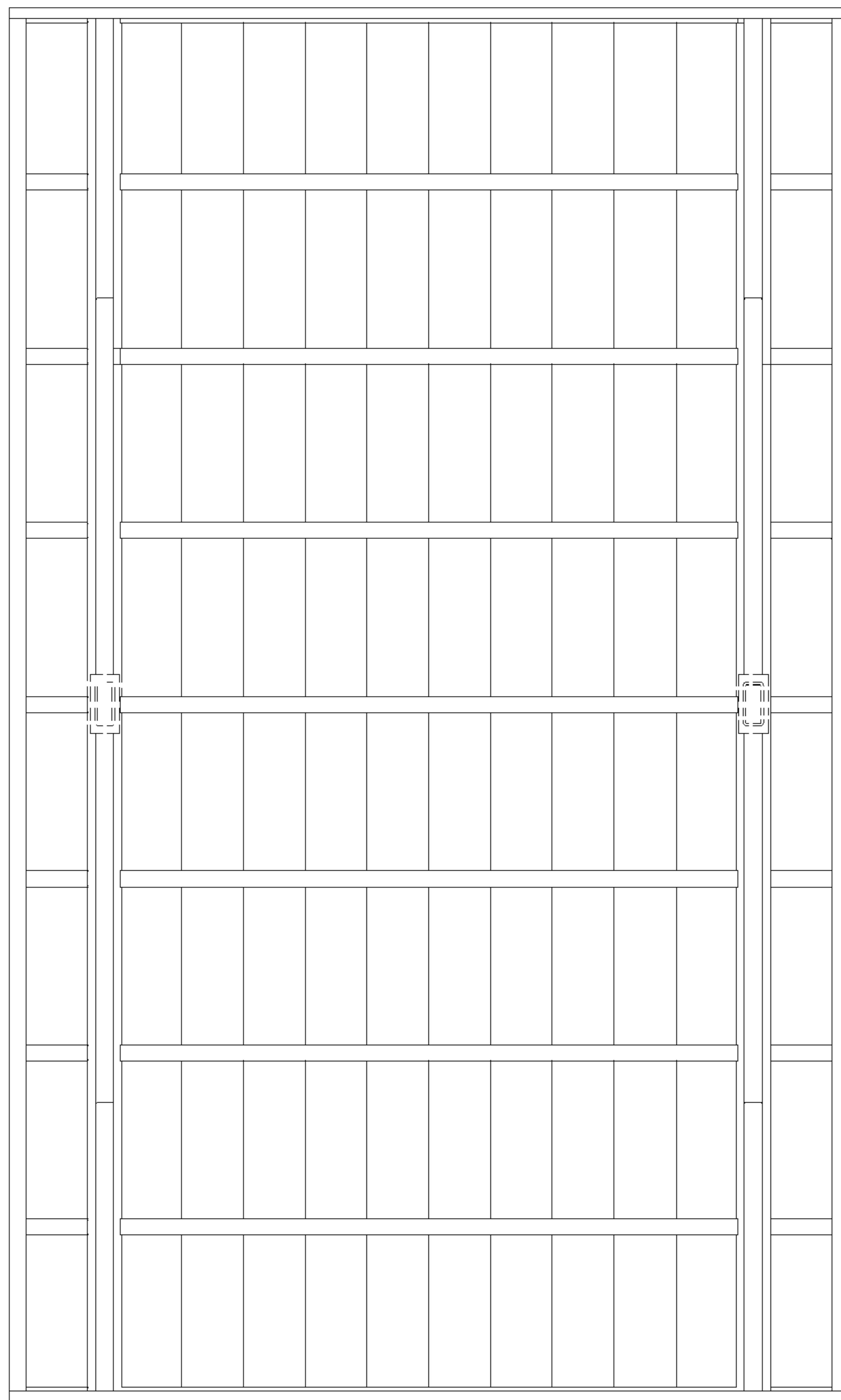


FIG. 8