



US00D649925S

(12) **United States Design Patent**
Allison

(10) **Patent No.:** **US D649,925 S**

(45) **Date of Patent:** **** Dec. 6, 2011**

(54) **ELECTRONICS WELL FOR BOATS**

(76) Inventor: **Darris E. Allison**, Louisville, TN (US)

(**) Term: **14 Years**

(21) Appl. No.: **29/387,127**

(22) Filed: **Mar. 9, 2011**

(51) **LOC (9) Cl.** **12-06**

(52) **U.S. Cl.** **D12/317**

(58) **Field of Classification Search** D12/192,
D12/300-318, 415, 419; D15/28; 114/343,
114/362, 364; 224/406, 542; 248/311.2,
248/156, 558; 296/72

See application file for complete search history.

(56) **References Cited**

U.S. PATENT DOCUMENTS

4,955,835	A *	9/1990	Hollingsworth	441/74
6,112,694	A *	9/2000	Burgos	114/364
D471,564	S *	3/2003	Hohnl et al.	D15/28
6,533,233	B2 *	3/2003	Thomas	248/311.2
D474,441	S *	5/2003	Hill et al.	D12/415
D497,142	S *	10/2004	Smith	D12/415
6,880,480	B2 *	4/2005	Clouse	114/343
7,096,818	B2 *	8/2006	Kalil	114/364
7,343,870	B1 *	3/2008	Scholz et al.	114/364
7,377,223	B2 *	5/2008	Toupin et al.	114/55.5
D602,841	S *	10/2009	Wilhelm	D12/415
7,779,773	B2 *	8/2010	Little et al.	114/364
D624,869	S *	10/2010	Corradi	D12/415
7,992,512	B2 *	8/2011	Rodriguez et al.	114/364

2002/0166493	A1 *	11/2002	Sorensen	114/343
2003/0040233	A1 *	2/2003	Oathout	440/104
2005/0120937	A1 *	6/2005	Kalil	114/343

* cited by examiner

Primary Examiner — Cynthia M Chin

(74) *Attorney, Agent, or Firm* — Luedeka, Neely & Graham, PC

(57) **CLAIM**

The ornamental design for an electronics well for boats, as shown and described.

DESCRIPTION

FIG. 1 is a perspective view of an electronics well for boats showing my new design;

FIG. 2 is a top plan view of the well of FIG. 1;

FIG. 3 is a cross-sectional view of the right side of the well of FIG. 1, taken along line 3-3 in FIG. 2;

FIG. 4 is a cross-sectional view left side view of the well of FIG. 1 taken along line 4-4 in FIG. 2;

FIG. 5 is an environmental perspective view of the well of FIG. 1 shown in use with an electronic fish-finder and a trolling motor foot pedal;

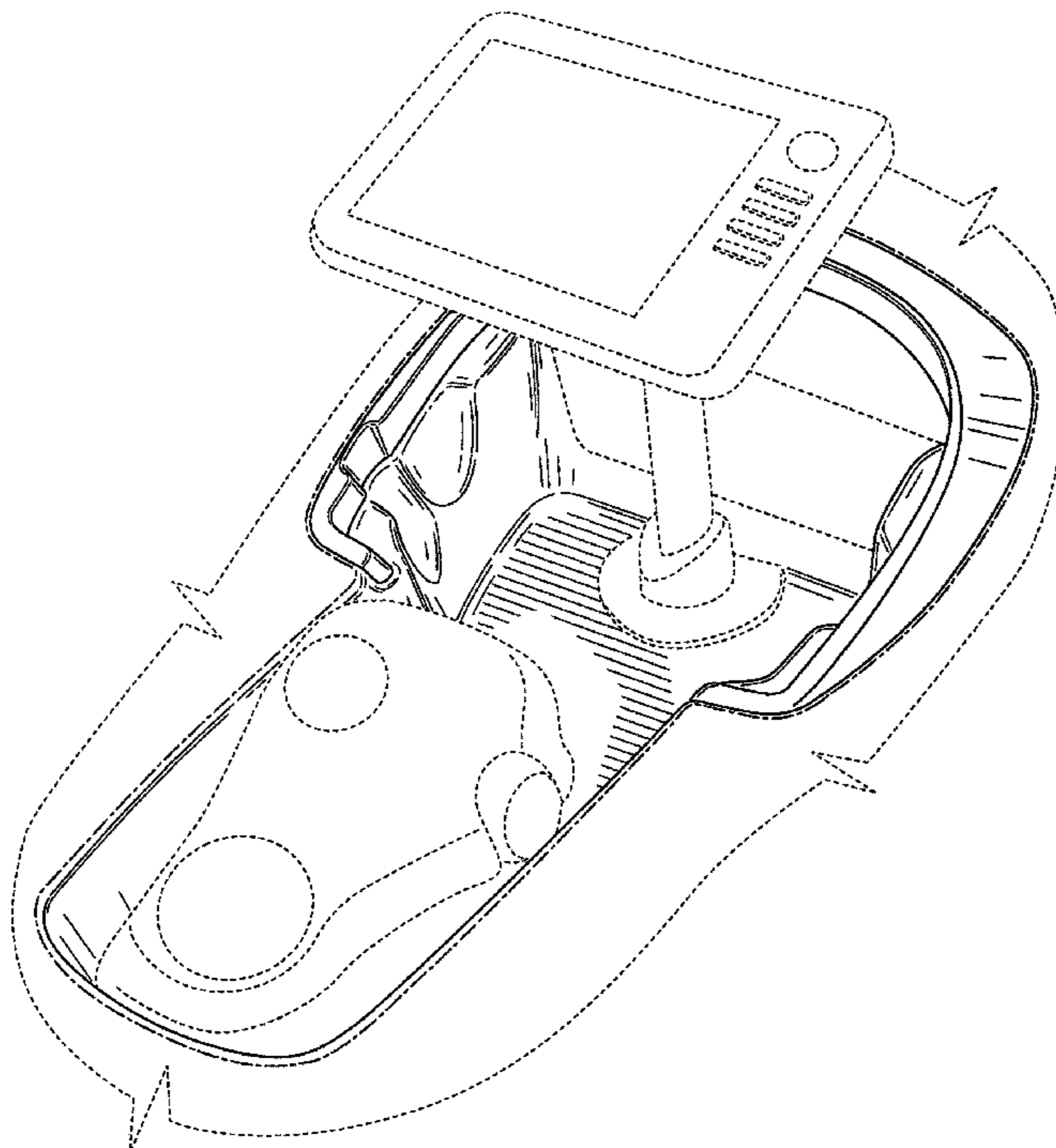
FIG. 6 is an environmental perspective view of the well of FIG. 1 shown implemented into a bow portion of a boat hull;

FIG. 7 is another environmental perspective view thereof; and,

FIG. 8 is yet another environmental perspective view thereof.

The broken line portions of the drawings are included for the purpose of illustrating unclaimed structure and form no part of the claimed design.

1 Claim, 8 Drawing Sheets



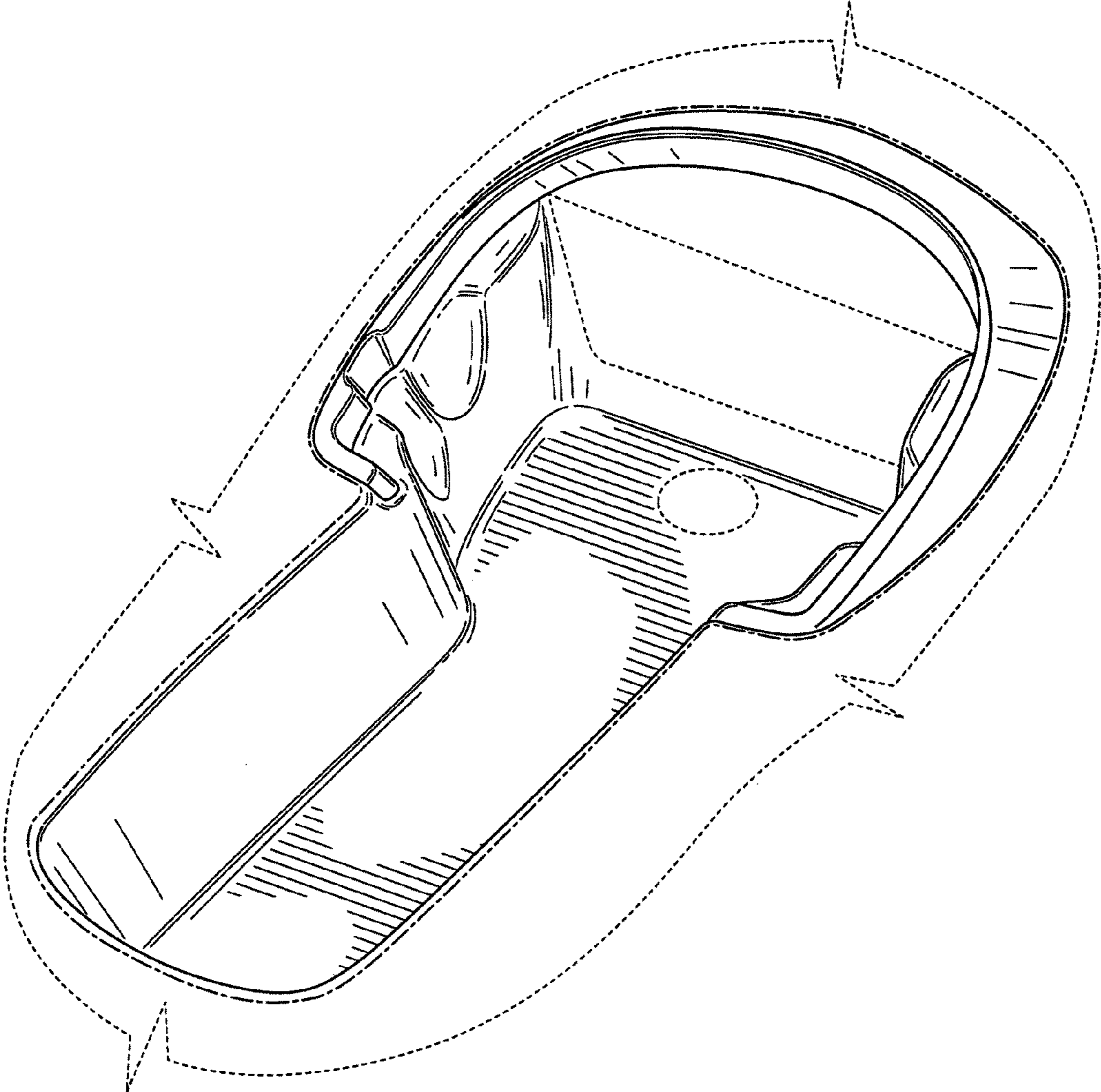


FIG. 1

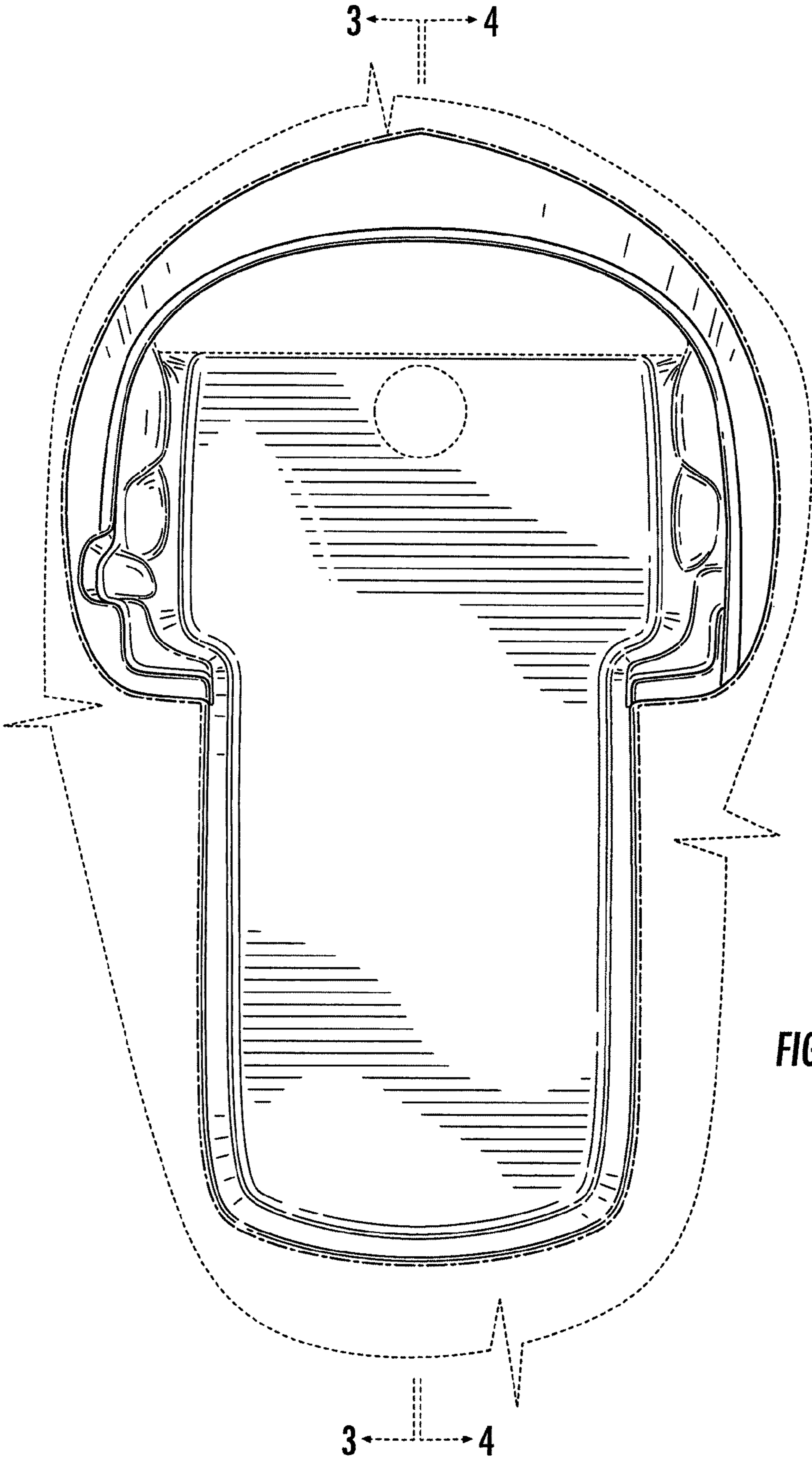


FIG. 2

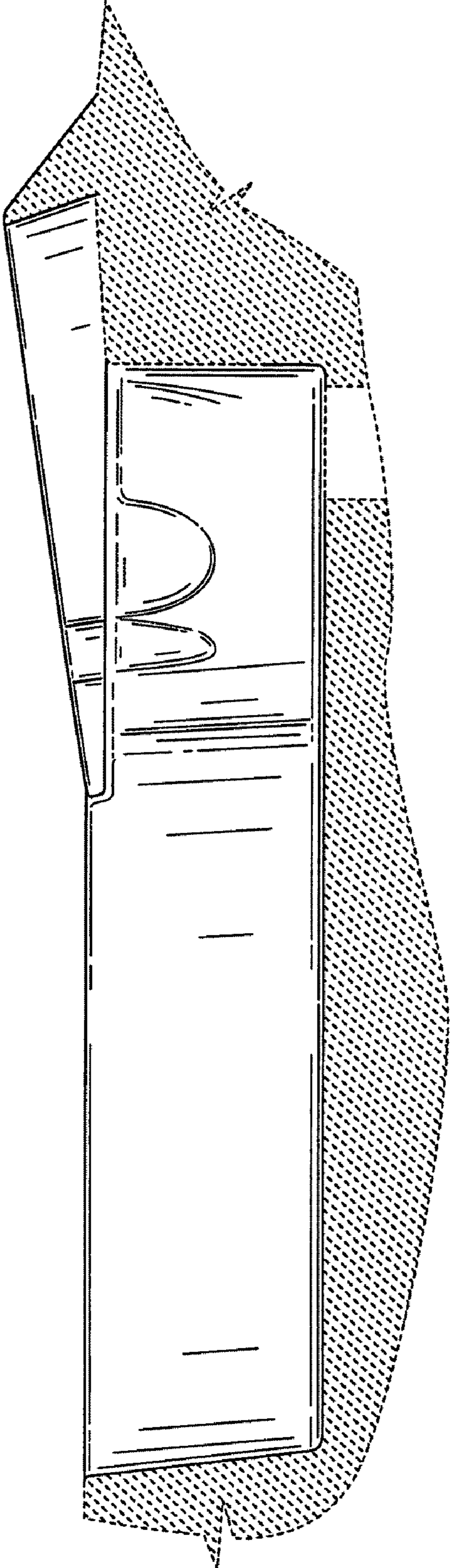


FIG. 3

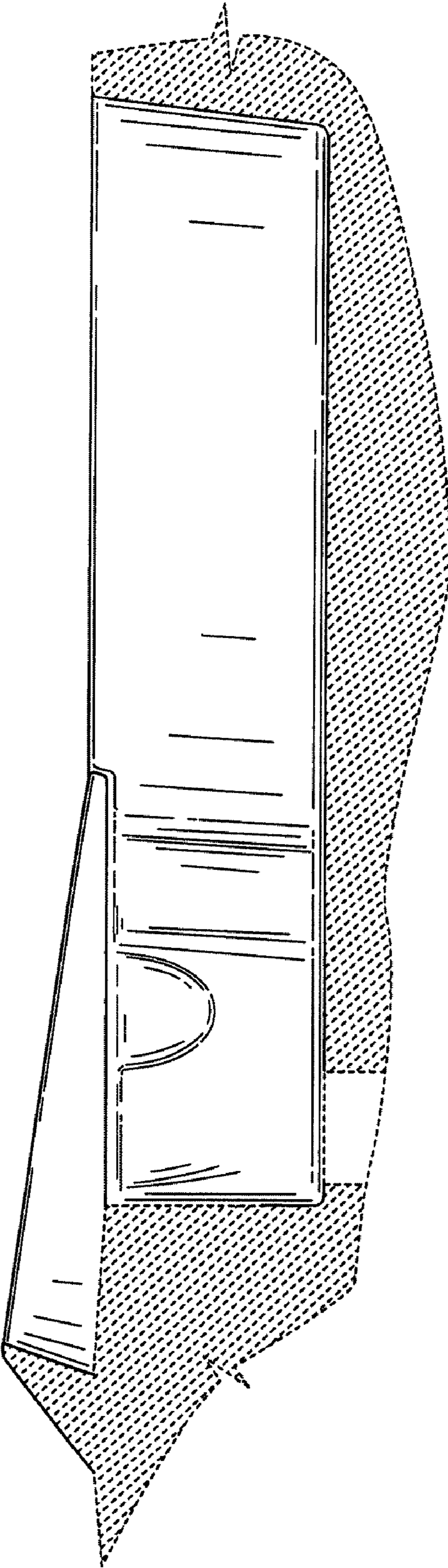


FIG. 4

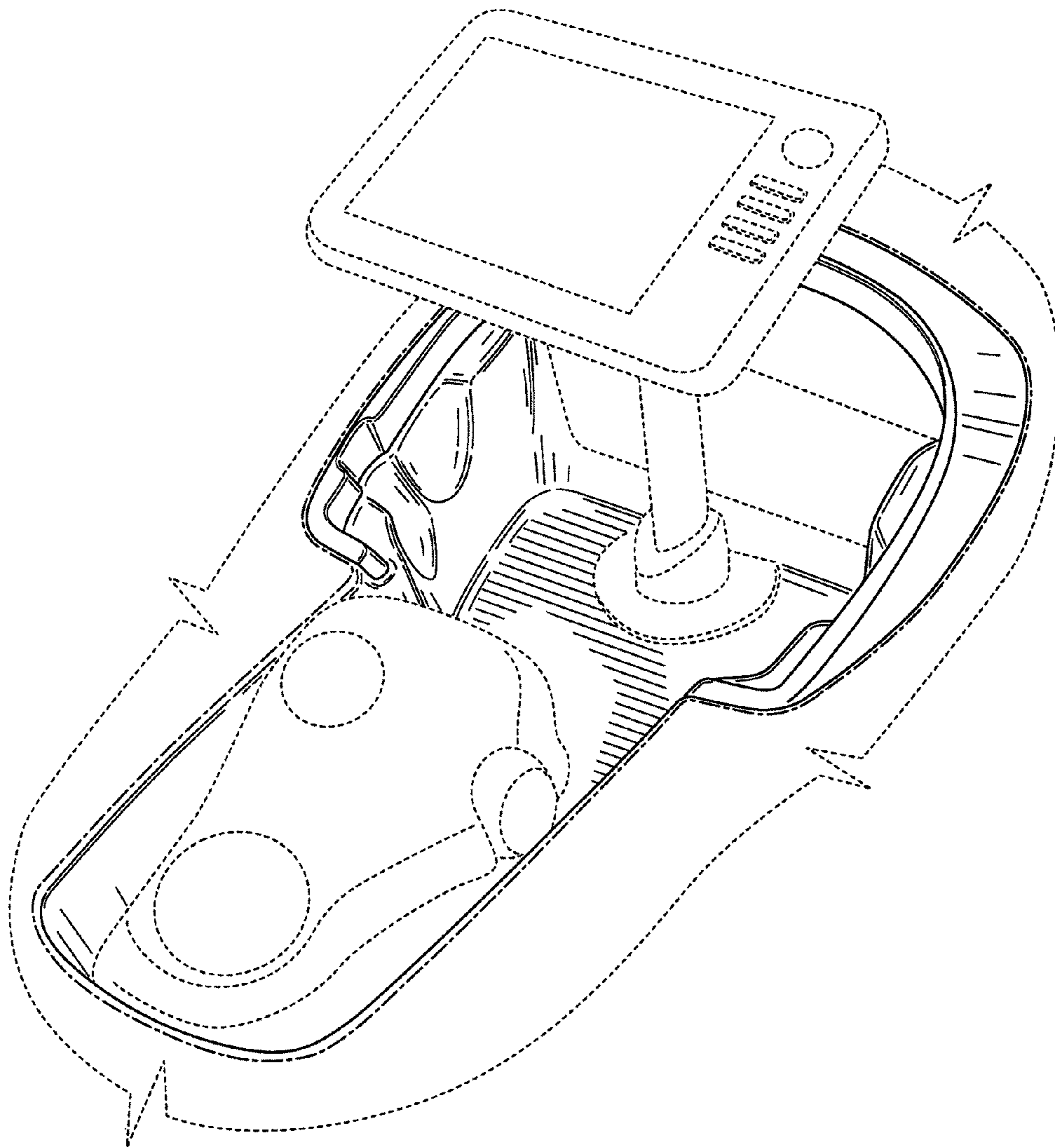


FIG. 5

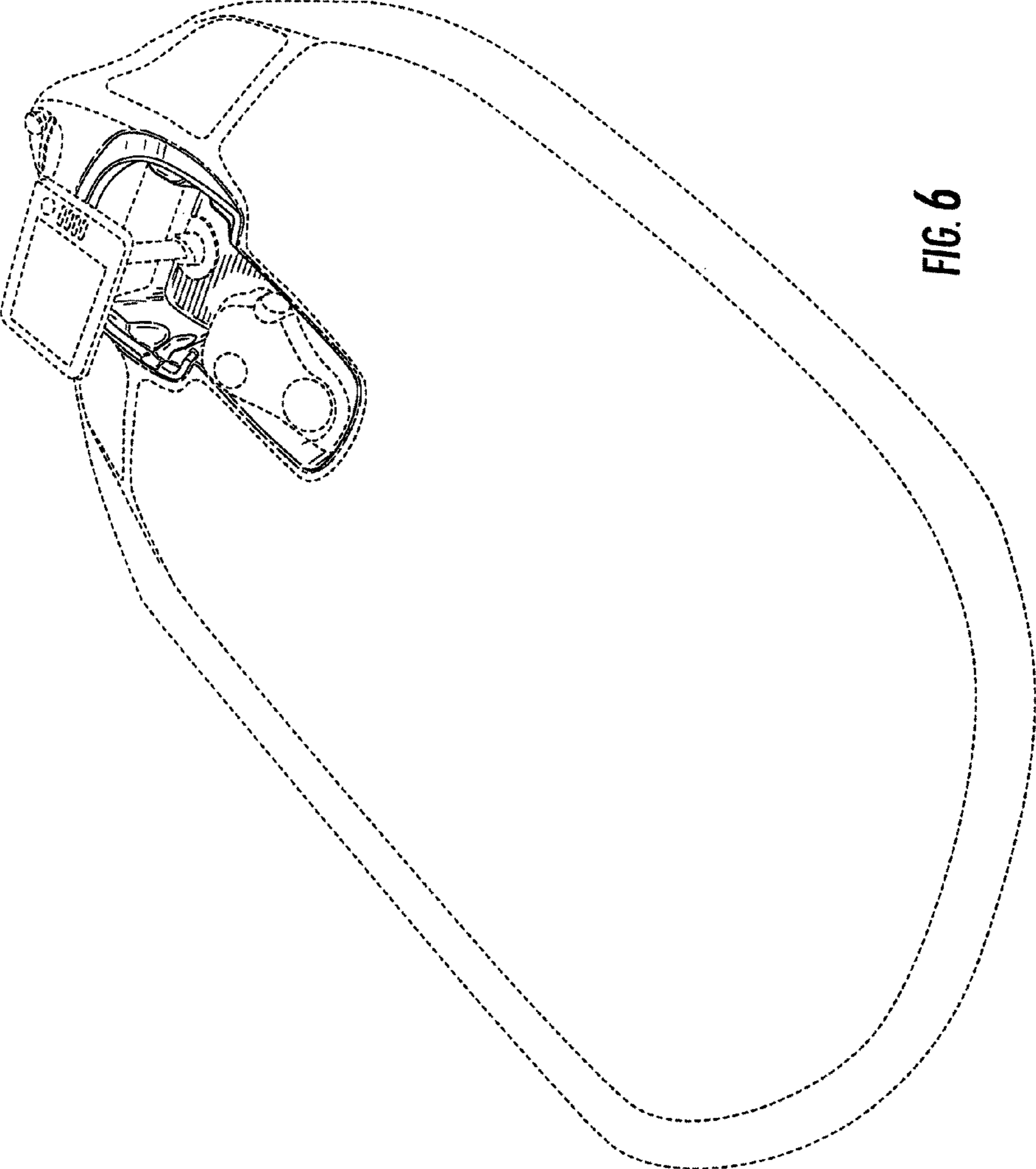


FIG. 6

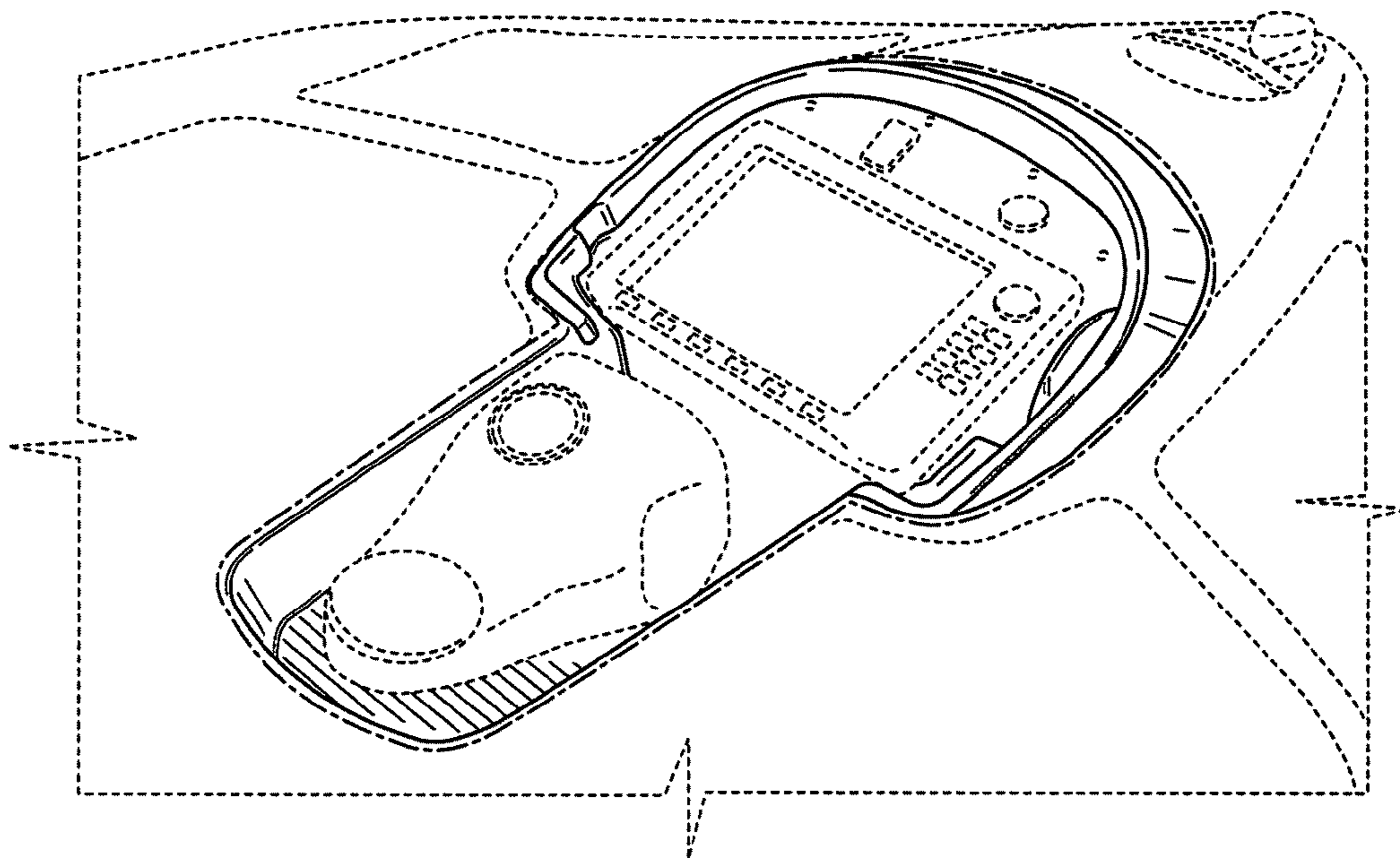


FIG. 7

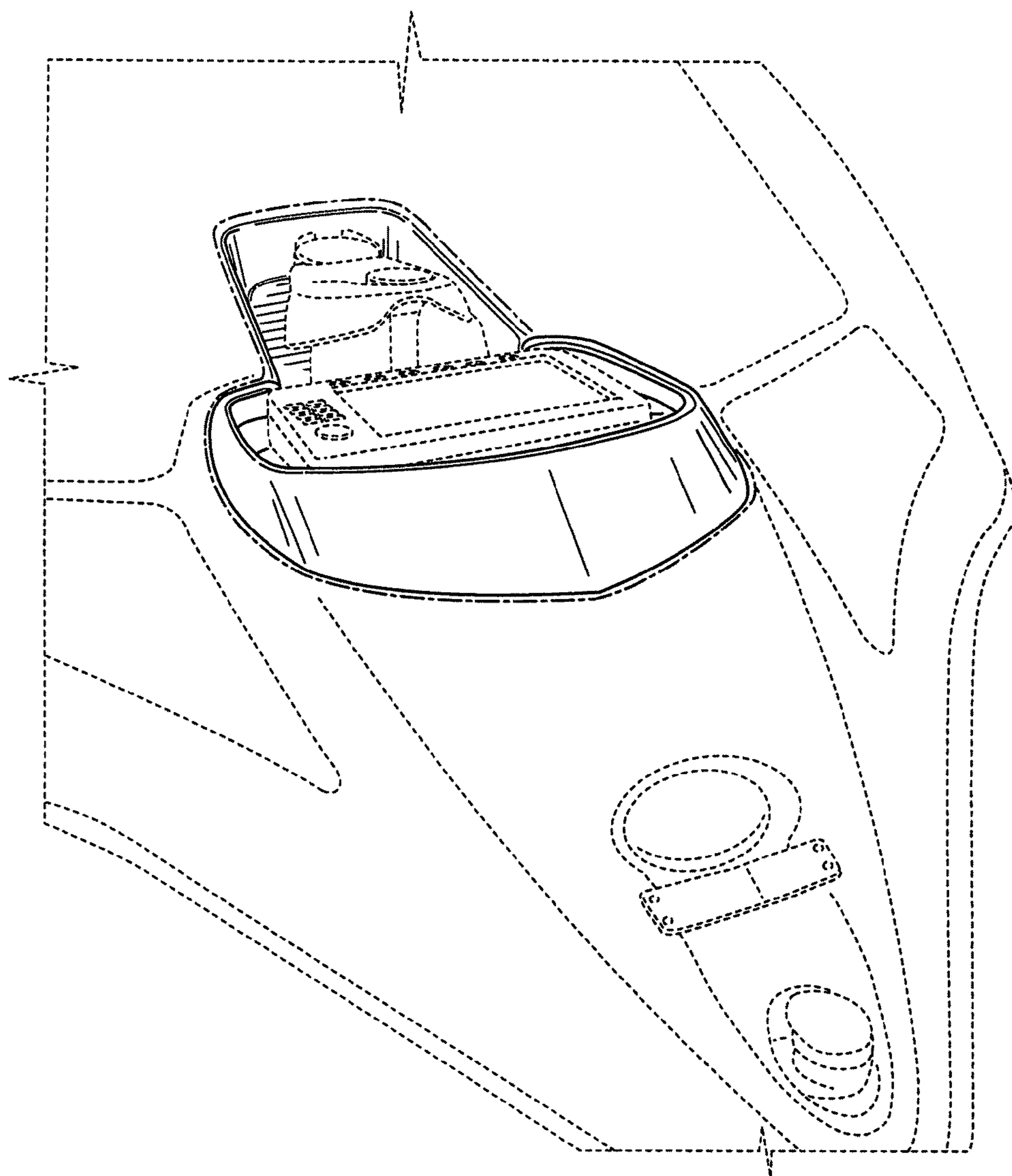


FIG. 8