



US00D649923S

(12) **United States Design Patent**  
**Hans et al.**

(10) **Patent No.:** **US D649,923 S**

(45) **Date of Patent:** **\*\* Dec. 6, 2011**

(54) **WHEEL OR WHEEL COVER**

(75) Inventors: **Bernhard Hans**, Affalterbach (DE);  
**Daniel Krisch**, Affalterbach (DE)

(73) Assignee: **Daimler AG**, Stuttgart (DE)

(\*\*) Term: **14 Years**

(21) Appl. No.: **29/371,519**

(22) Filed: **Mar. 31, 2011**

(30) **Foreign Application Priority Data**

Oct. 1, 2010 (EM) ..... 001762436-0009

(51) **LOC (9) Cl.** ..... **12-16**

(52) **U.S. Cl.** ..... **D12/211**

(58) **Field of Classification Search** ..... D12/204-213;  
301/37.101, 64.101, 65, 64.201

See application file for complete search history.

(56) **References Cited**

**U.S. PATENT DOCUMENTS**

D267,564 S *	1/1983	Wright	.....	D12/211
D410,618 S *	6/1999	Hussaini et al.	.....	D12/211
D504,098 S *	4/2005	Gallert	.....	D12/209
D542,211 S *	5/2007	Hieke	.....	D12/211
D544,823 S *	6/2007	Hieke et al.	.....	D12/211
D582,328 S *	12/2008	Hieke	.....	D12/209

D586,284 S *	2/2009	Fridie	.....	D12/211
D602,834 S *	10/2009	Dilber	.....	D12/211
D606,477 S *	12/2009	Gelardi et al.	.....	D12/211
D618,150 S *	6/2010	Hilpert	.....	D12/209
D619,073 S *	7/2010	Groom	.....	D12/211
D625,245 S *	10/2010	Hans et al.	.....	D12/211
D628,137 S *	11/2010	Groom	.....	D12/211
D633,847 S *	3/2011	Johnson	.....	D12/211
D635,906 S *	4/2011	Futschik et al.	.....	D12/211
D638,772 S *	5/2011	Hans et al.	.....	D12/211

\* cited by examiner

*Primary Examiner* — Stacia Cadmus

(74) *Attorney, Agent, or Firm* — Crowell & Moring LLP

(57) **CLAIM**

The ornamental design for a wheel or wheel cover, as shown and described.

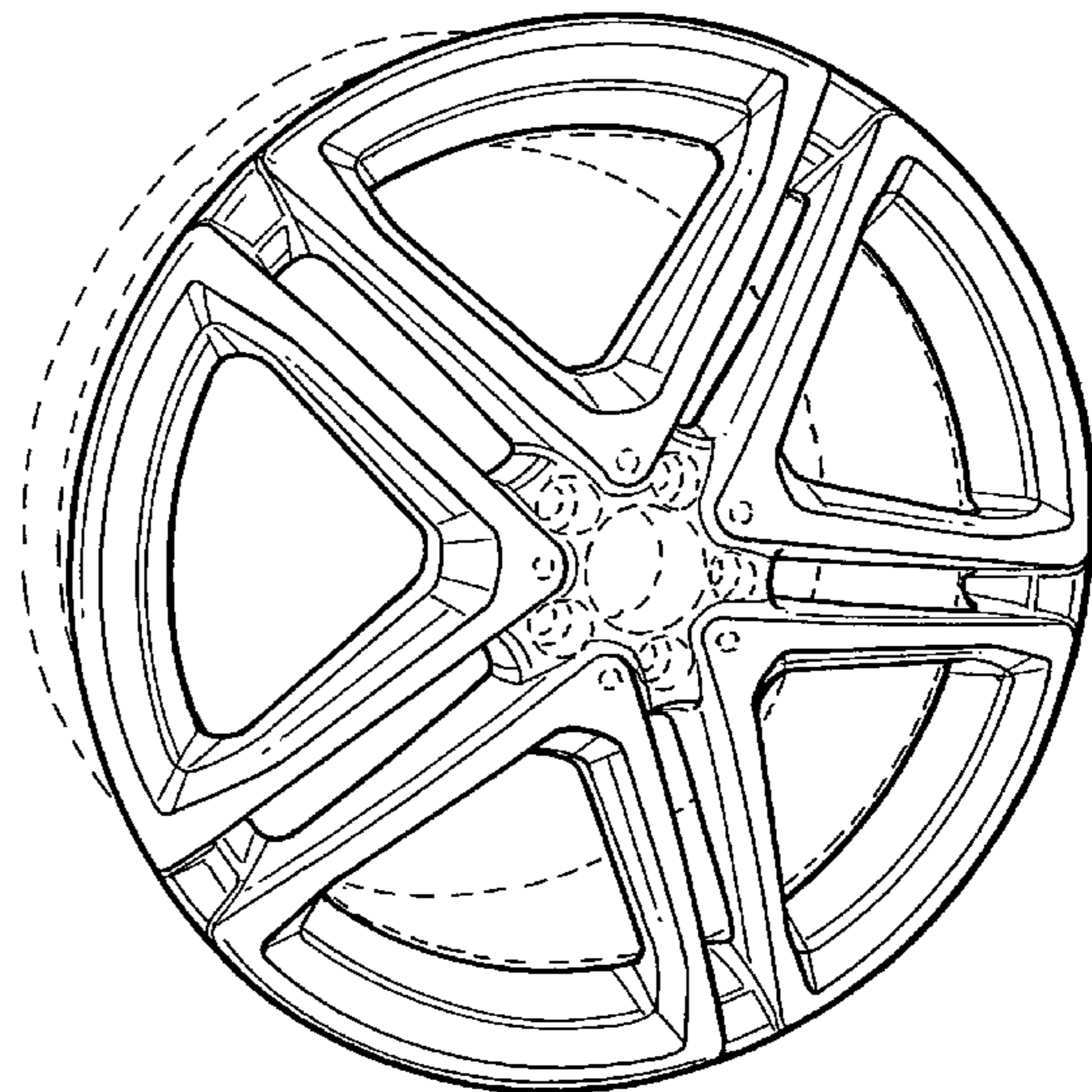
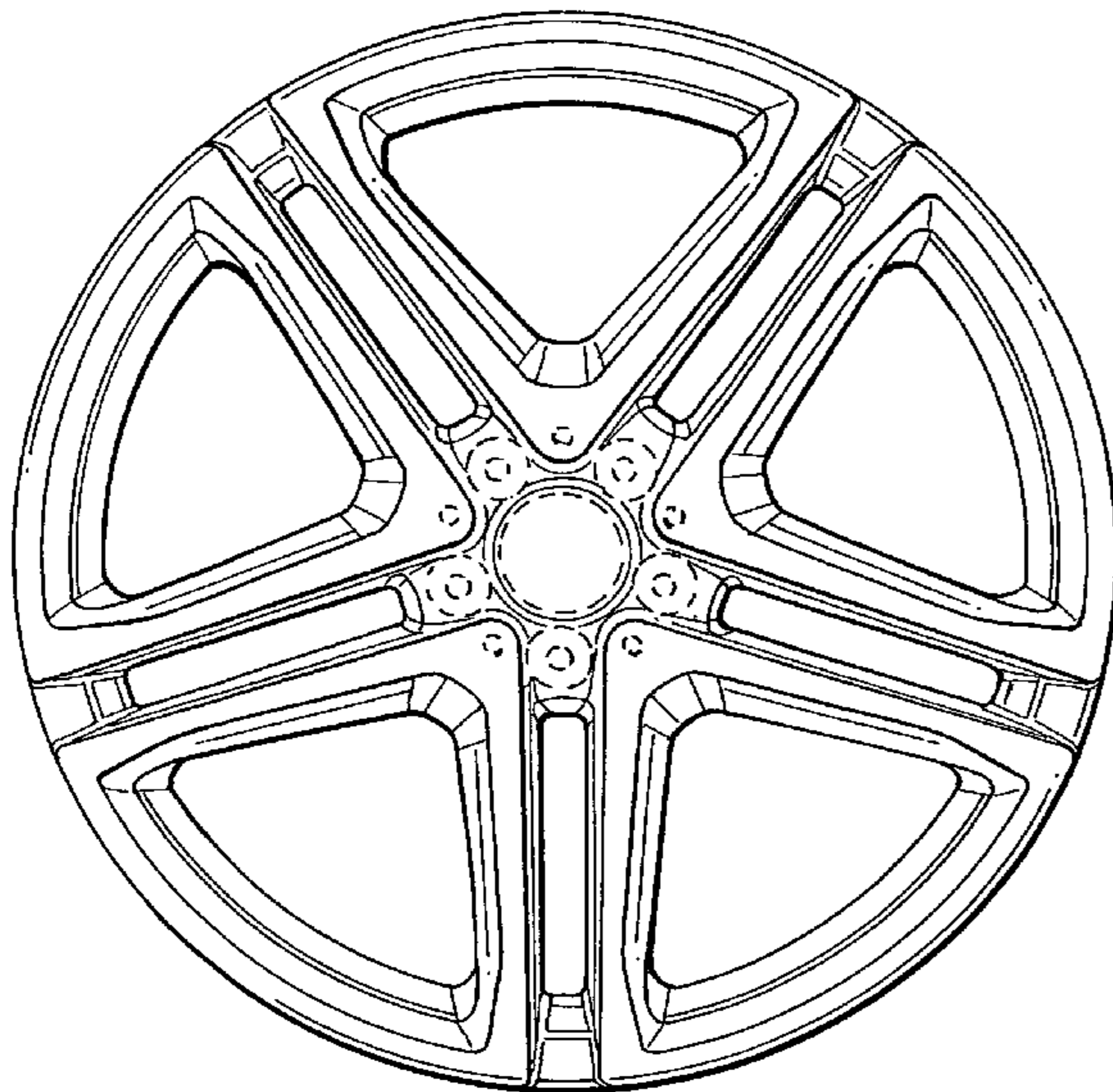
**DESCRIPTION**

FIG. 1 is a front view of a wheel or wheel cover according to our design; and,

FIG. 2 is a perspective view thereof.

The broken line showing of the rear of the rim and the bolt holes and center hole in the central hub area is included for the purpose of illustrating environment and forms no part of the claimed design.

**1 Claim, 1 Drawing Sheet**



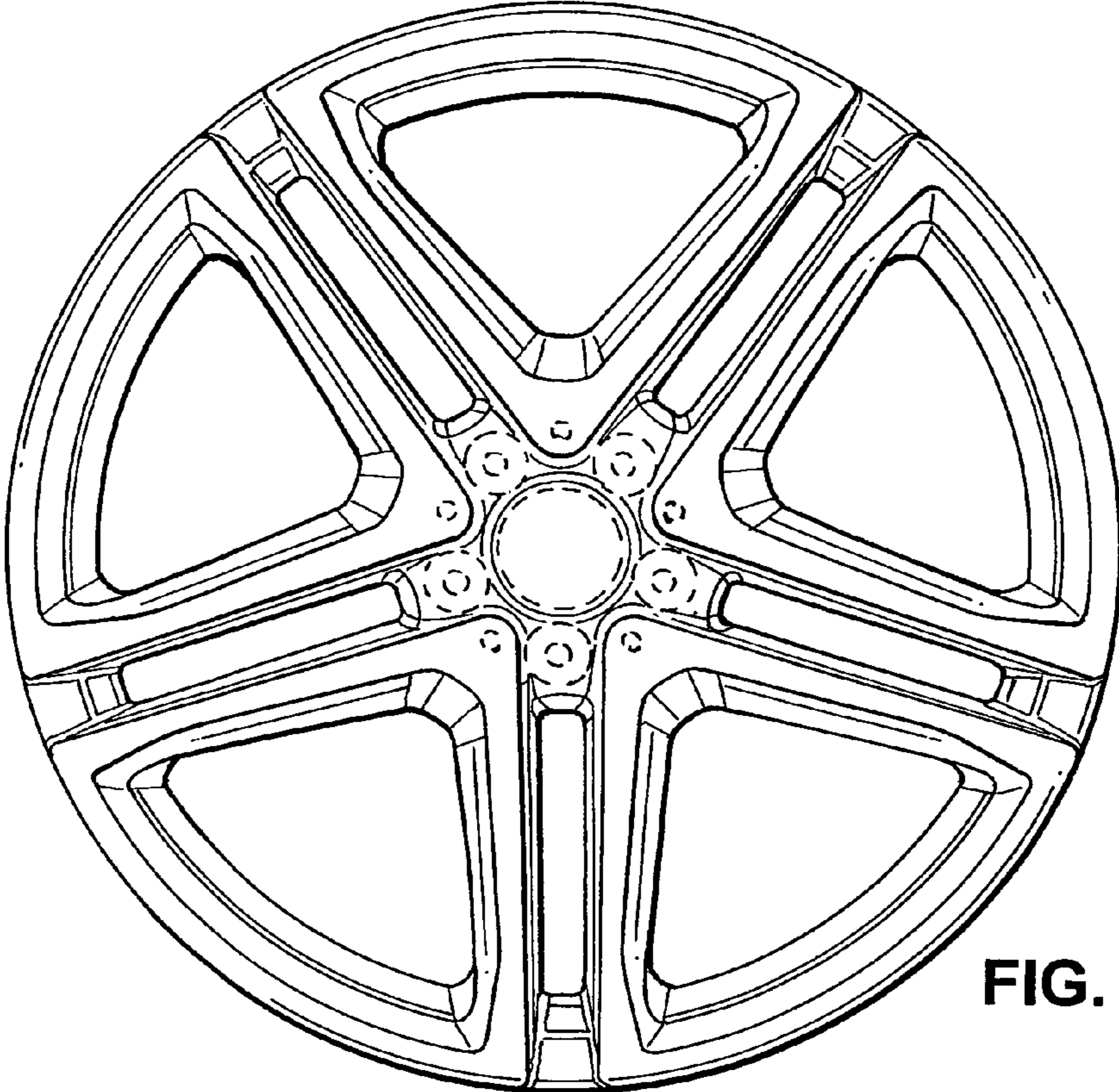


FIG. 1

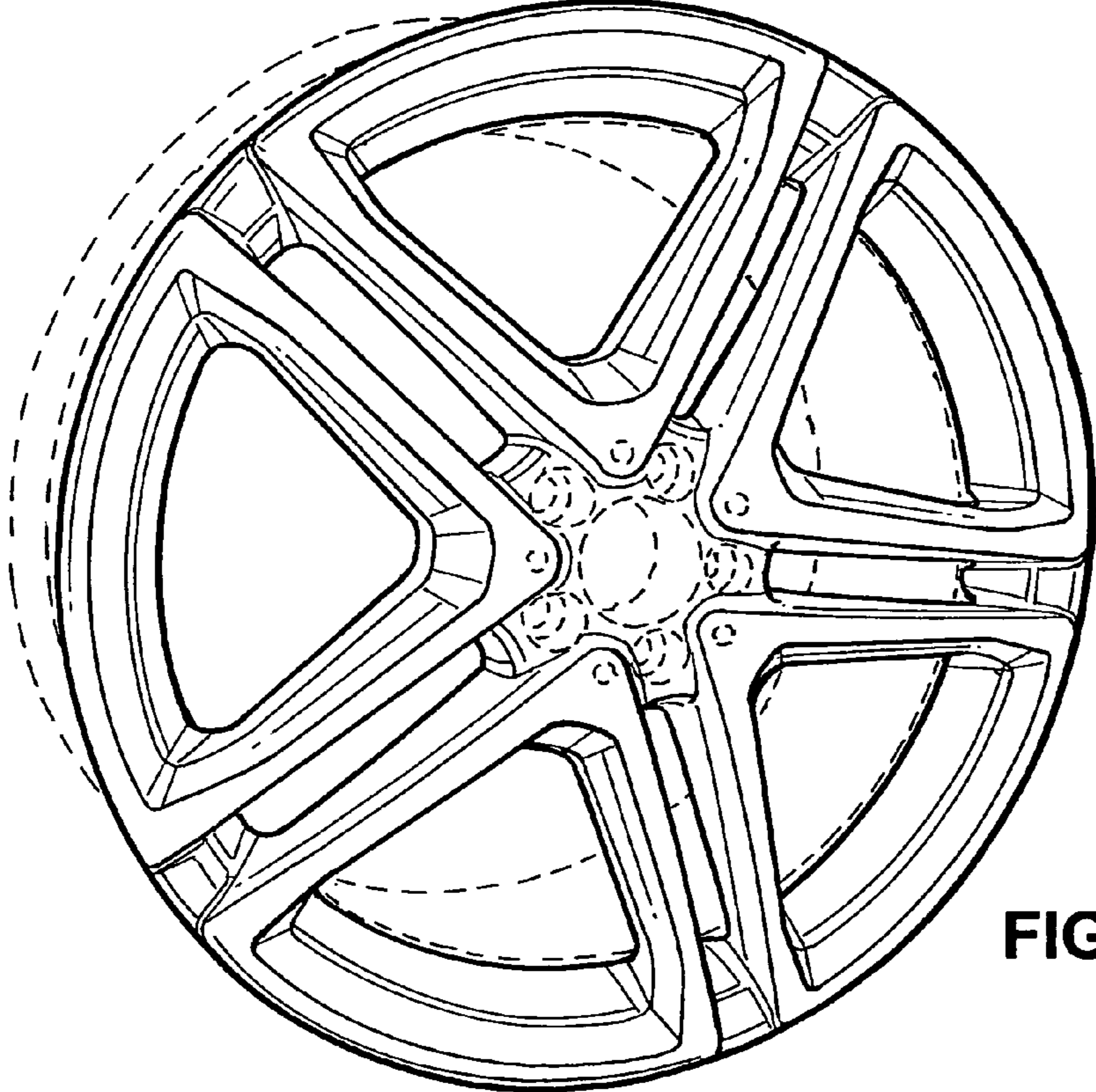


FIG. 2