



US00D649922S

(12) **United States Design Patent**  
**Hans et al.**

(10) **Patent No.:** **US D649,922 S**

(45) **Date of Patent:** **\*\* Dec. 6, 2011**

(54) **WHEEL OR WHEEL COVER**

(75) Inventors: **Bernhard Hans**, Affalterbach (DE); **Kai Hilpert**, Affalterbach (DE)

(73) Assignee: **Daimler AG**, Stuttgart (DE)

(\*\*) Term: **14 Years**

(21) Appl. No.: **29/371,517**

(22) Filed: **Mar. 31, 2011**

(30) **Foreign Application Priority Data**

Oct. 1, 2010 (EM) ..... 001762436-0005

(51) **LOC (9) Cl.** ..... **12-16**

(52) **U.S. Cl.** ..... **D12/211**

(58) **Field of Classification Search** ..... D12/204-213;  
301/37.101, 64.101, 65, 64.201

See application file for complete search history.

(56) **References Cited**

**U.S. PATENT DOCUMENTS**

D522,431 S	*	6/2006	Hieke	.....	D12/209
D542,211 S	*	5/2007	Hieke	.....	D12/211
D544,823 S	*	6/2007	Hieke	.....	D12/211
D582,328 S	*	12/2008	Hieke	.....	D12/209

D582,330 S	*	12/2008	Hieke	.....	D12/209
D585,803 S	*	2/2009	Hieke	.....	D12/209
D596,549 S	*	7/2009	Varga	.....	D12/211
D604,223 S	*	11/2009	Dilber	.....	D12/211
D618,150 S	*	6/2010	Hilpert	.....	D12/209
D622,200 S	*	8/2010	Zhao	.....	D12/211
D628,137 S	*	11/2010	Groom	.....	D12/211
D630,567 S	*	1/2011	Ettensberger	.....	D12/211
D635,906 S	*	4/2011	Futschik et al.	.....	D12/211
D641,301 S	*	7/2011	Hilpert	.....	D12/211

\* cited by examiner

*Primary Examiner* — Stacia Cadmus

(74) *Attorney, Agent, or Firm* — Crowell & Moring LLP

(57) **CLAIM**

The ornamental design for a wheel or wheel cover, as shown and described.

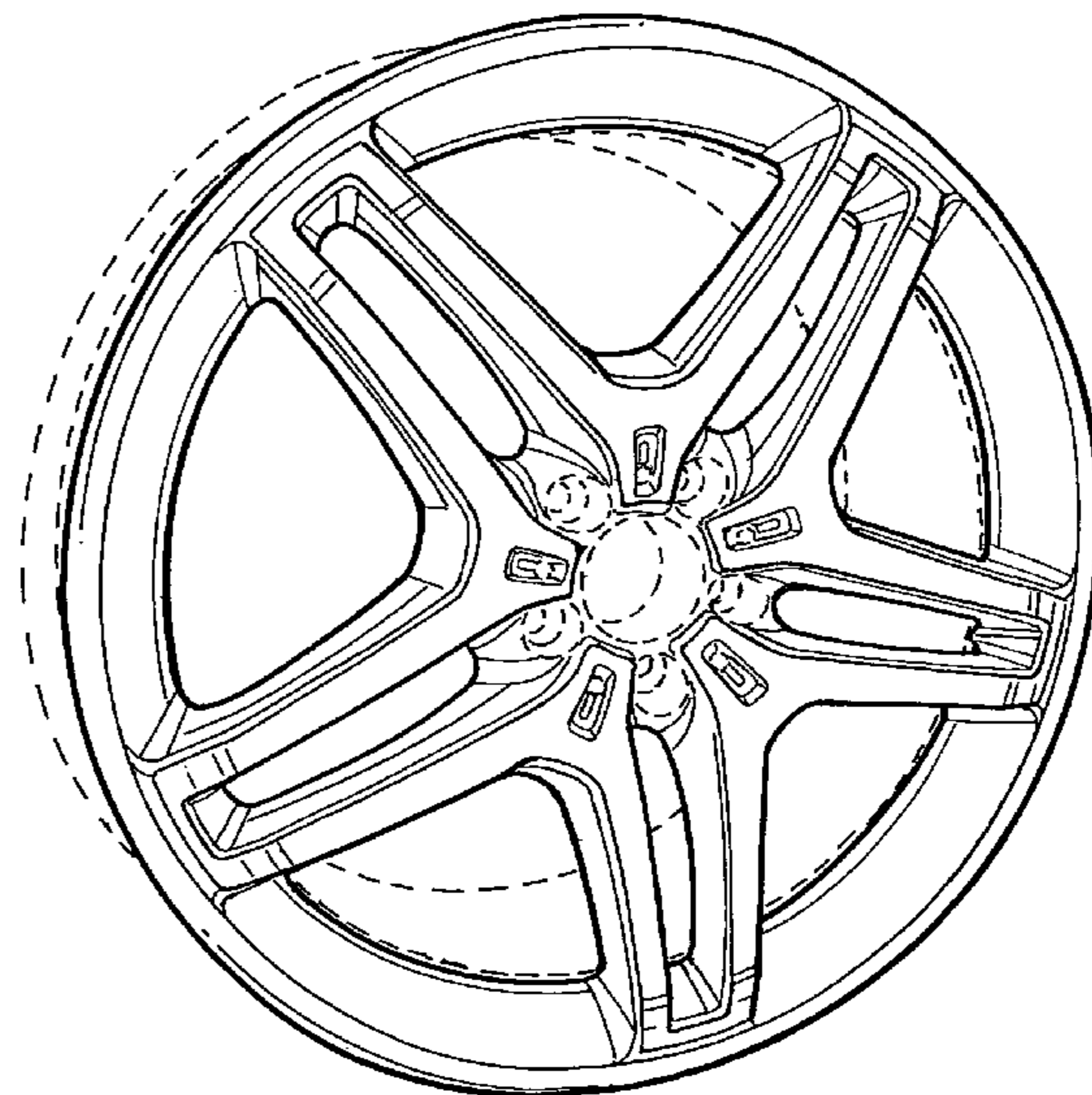
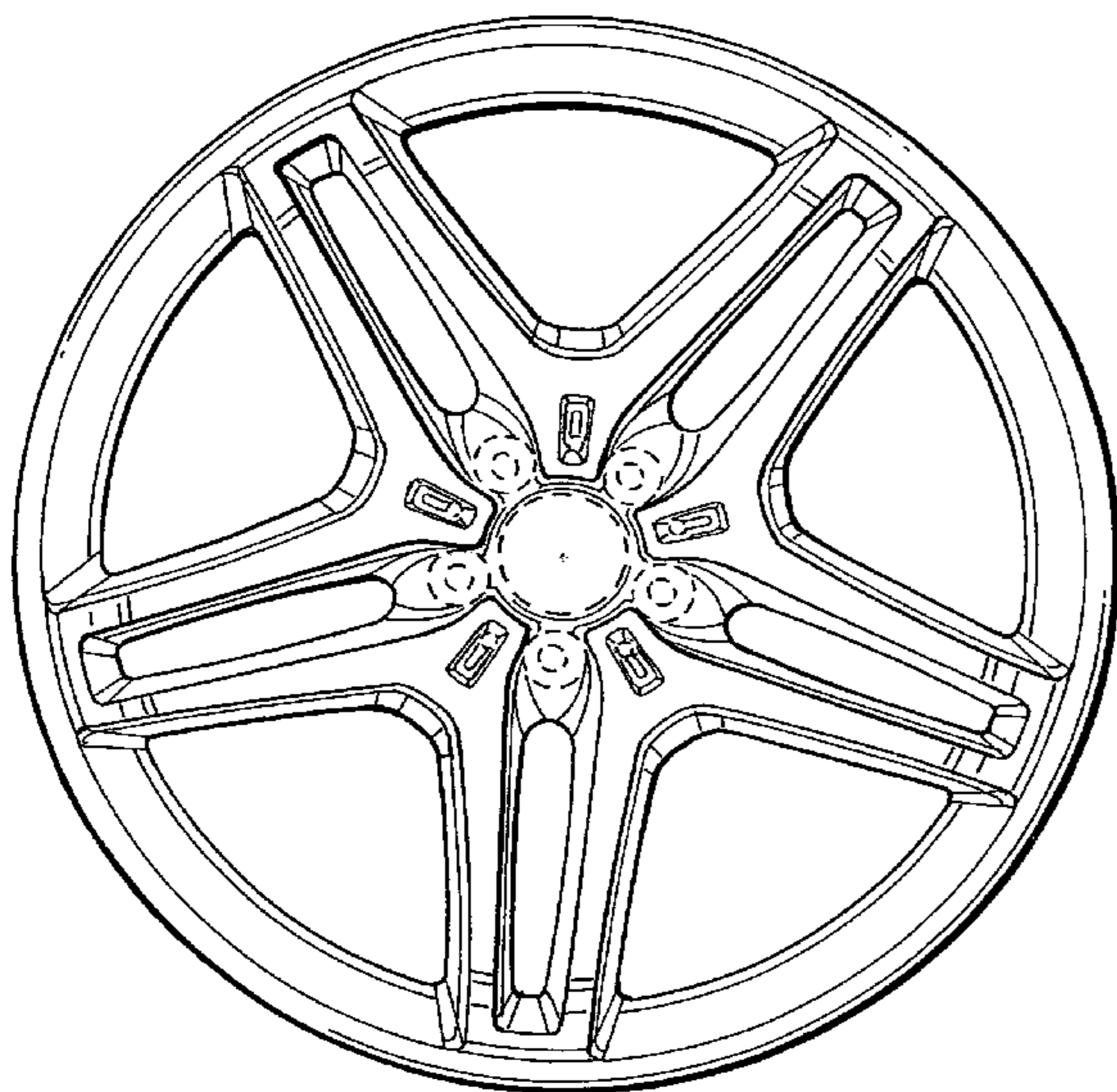
**DESCRIPTION**

FIG. 1 is a front view of a wheel or wheel cover according to our design; and,

FIG. 2 is a perspective view thereof.

The broken line showing of the rear of the rim and the bolt holes and center hole in the central hub area is included for the purpose of illustrating environment and forms no part of the claimed design.

**1 Claim, 1 Drawing Sheet**



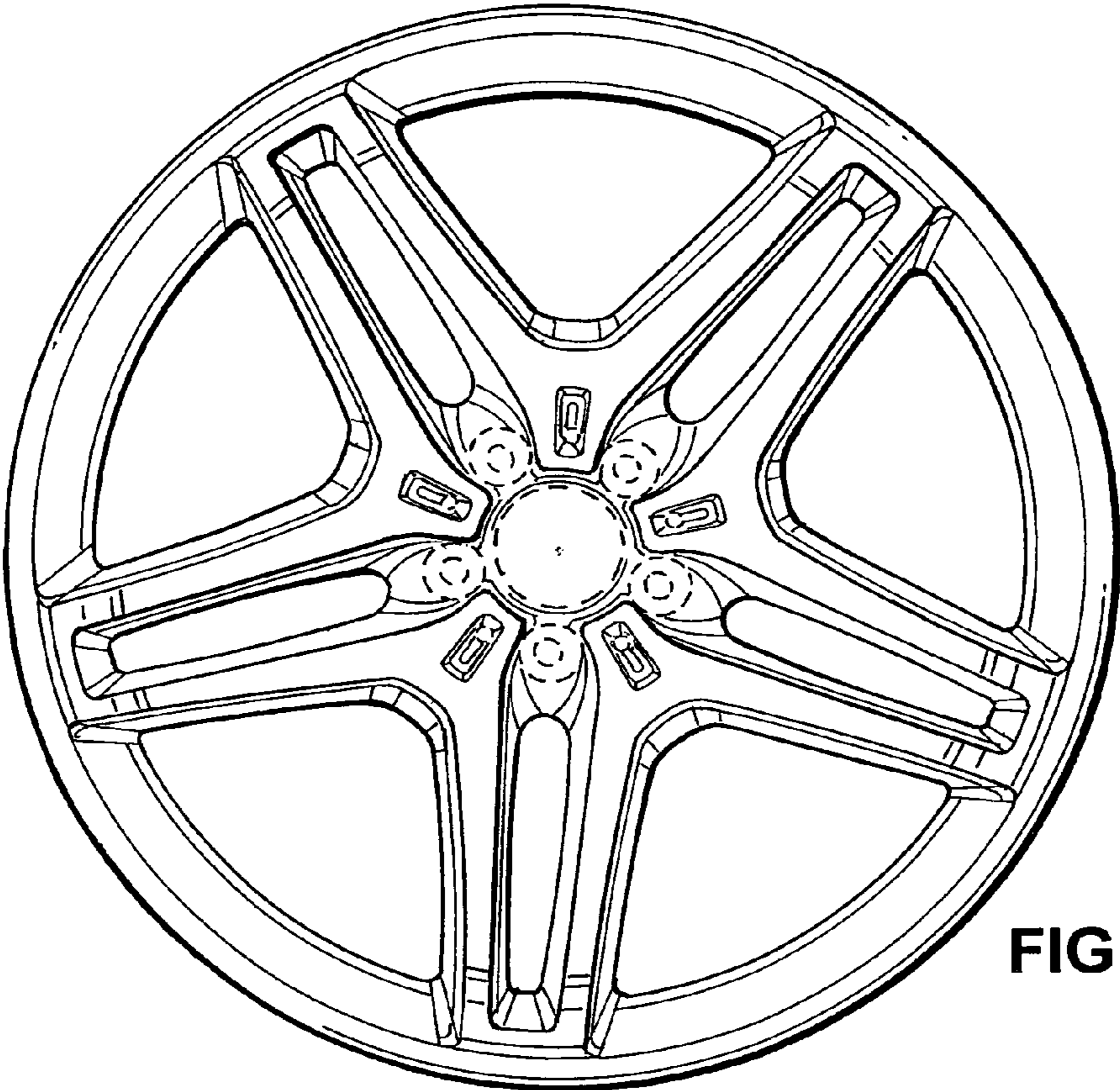


FIG. 1

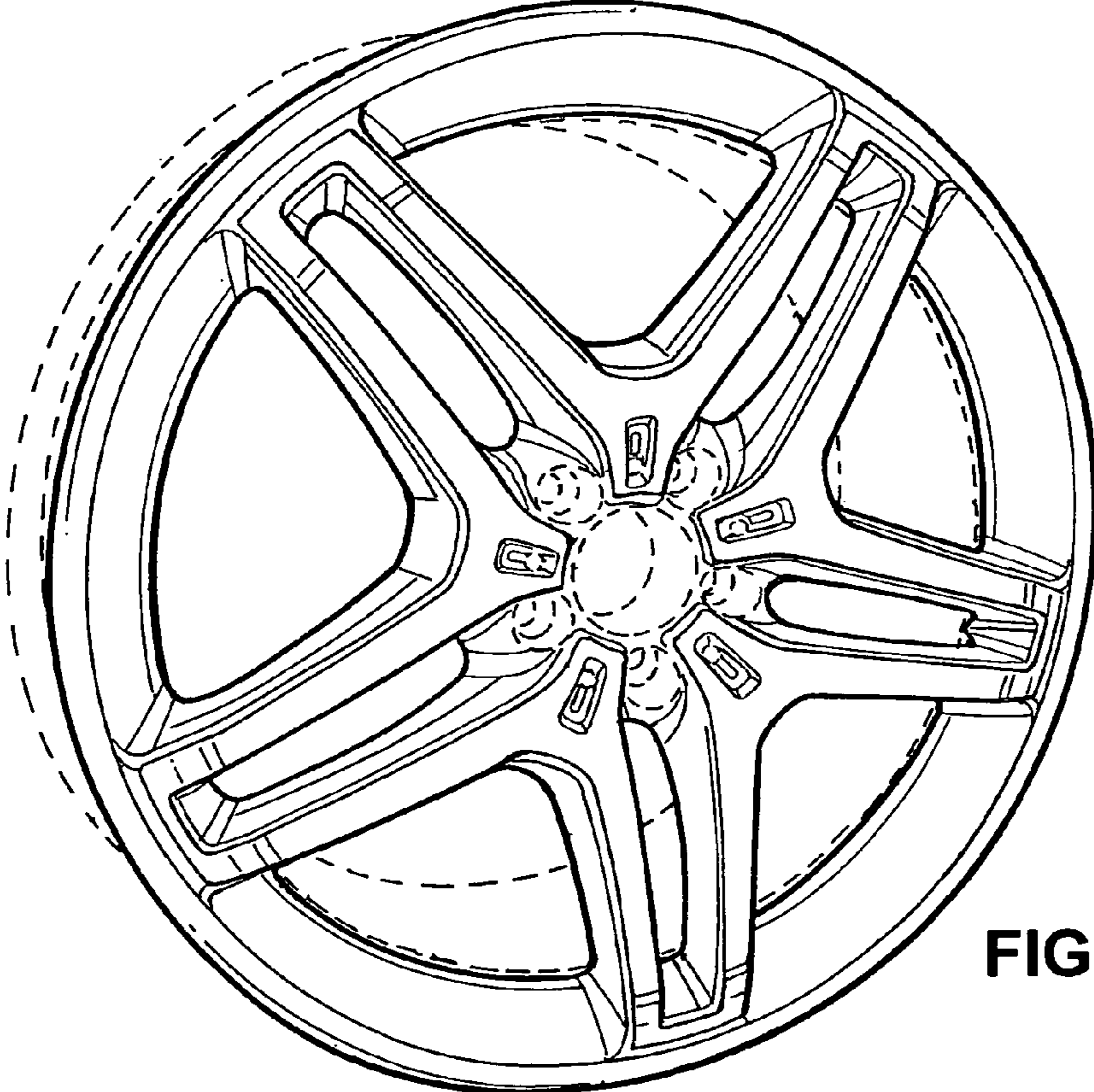


FIG. 2