



US00D649921S

(12) **United States Design Patent**  
**Lucaora**

(10) **Patent No.:** **US D649,921 S**

(45) **Date of Patent:** **\*\* Dec. 6, 2011**

(54) **WHEEL**

(75) Inventor: **Luigi Lucaora**, Trebaseleghe (IT)

(73) Assignee: **Wheel Pros, LLC**, Lakewood, CO (US)

(\*\*) Term: **14 Years**

(21) Appl. No.: **29/386,137**

(22) Filed: **Feb. 24, 2011**

(51) **LOC (9) Cl.** ..... **12-16**

(52) **U.S. Cl.** ..... **D12/209**

(58) **Field of Classification Search** ..... D12/204-213;  
301/37.101, 64.101, 65, 64.201

See application file for complete search history.

(56) **References Cited**

U.S. PATENT DOCUMENTS

D405,409 S *	2/1999	Baumgartner	.....	D12/211
D417,646 S *	12/1999	Baumgartner	.....	D12/211
D500,978 S *	1/2005	Echazabal	.....	D12/209
D527,332 S *	8/2006	Khan	.....	D12/211
D527,700 S *	9/2006	Guevara	.....	D12/211
D535,603 S *	1/2007	Guevara	.....	D12/209
D541,202 S *	4/2007	Baumgartner	.....	D12/211
D553,069 S *	10/2007	Ettensberger	.....	D12/211
D554,036 S *	10/2007	Chung	.....	D12/209
D576,094 S *	9/2008	Bernoni	.....	D12/211
D613,658 S *	4/2010	Cortes	.....	D12/209
D616,800 S *	6/2010	Zhao	.....	D12/209
D622,196 S *	8/2010	Gallert	.....	D12/209
D622,199 S *	8/2010	Gallert	.....	D12/211

D630,990 S *	1/2011	Cortes	.....	D12/209
D635,076 S *	3/2011	De Bono	.....	D12/209
D638,340 S *	5/2011	Park	.....	D12/209

\* cited by examiner

*Primary Examiner* — Stacia Cadmus

(74) *Attorney, Agent, or Firm* — Garcia-Zamor IP Law; Ruy M. Garcia-Zamor

(57) **CLAIM**

I claim a new ornamental design for a wheel, as shown and described.

**DESCRIPTION**

FIG. 1 is a perspective view of a wheel according to my new design;

FIG. 2 is a second perspective view of the wheel of FIG. 1;

FIG. 3 is a front elevational view of the wheel of FIG. 1, those features not shown in FIGS. 1-3 are disclaimed as forming no part of the claimed design;

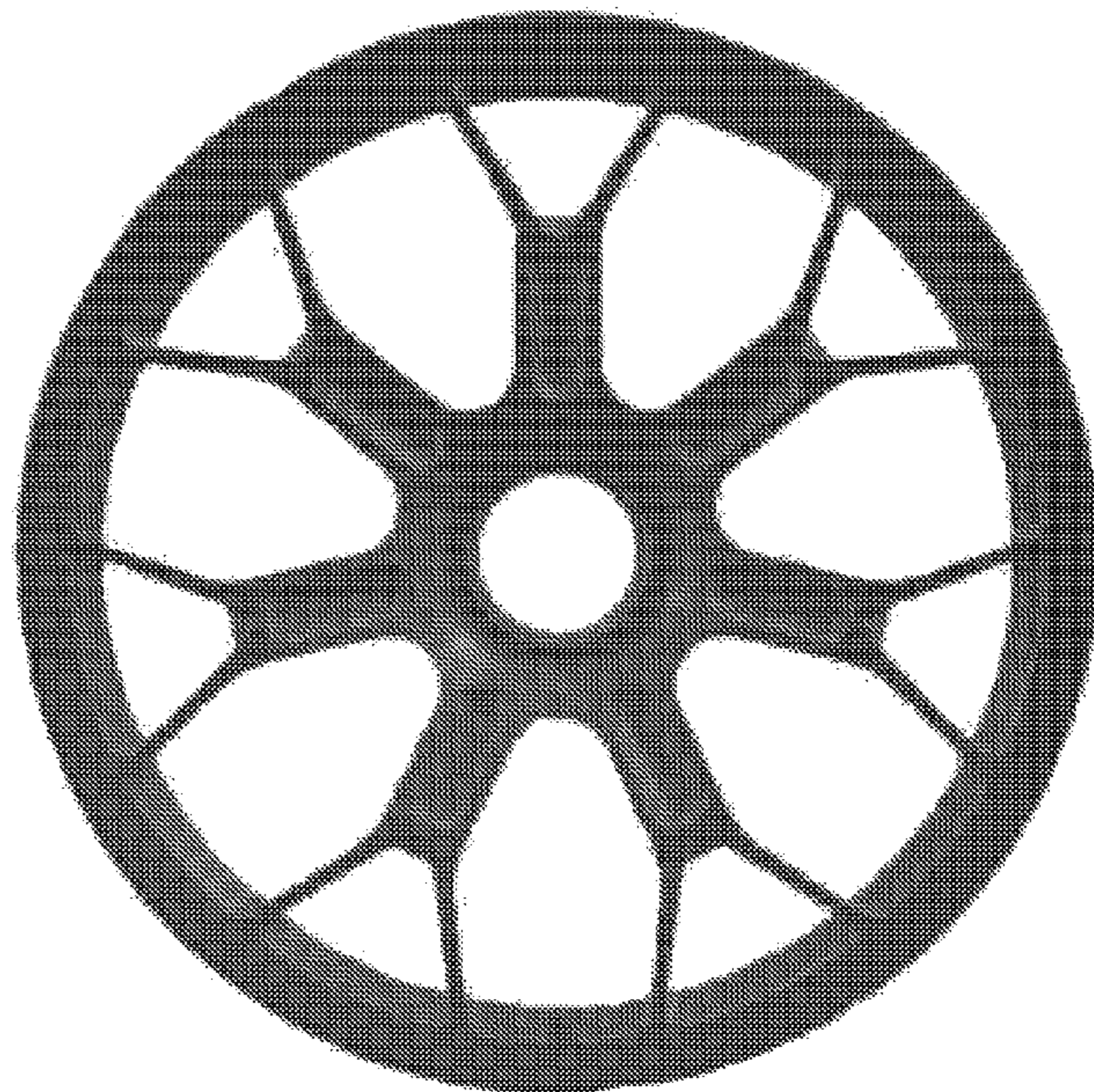
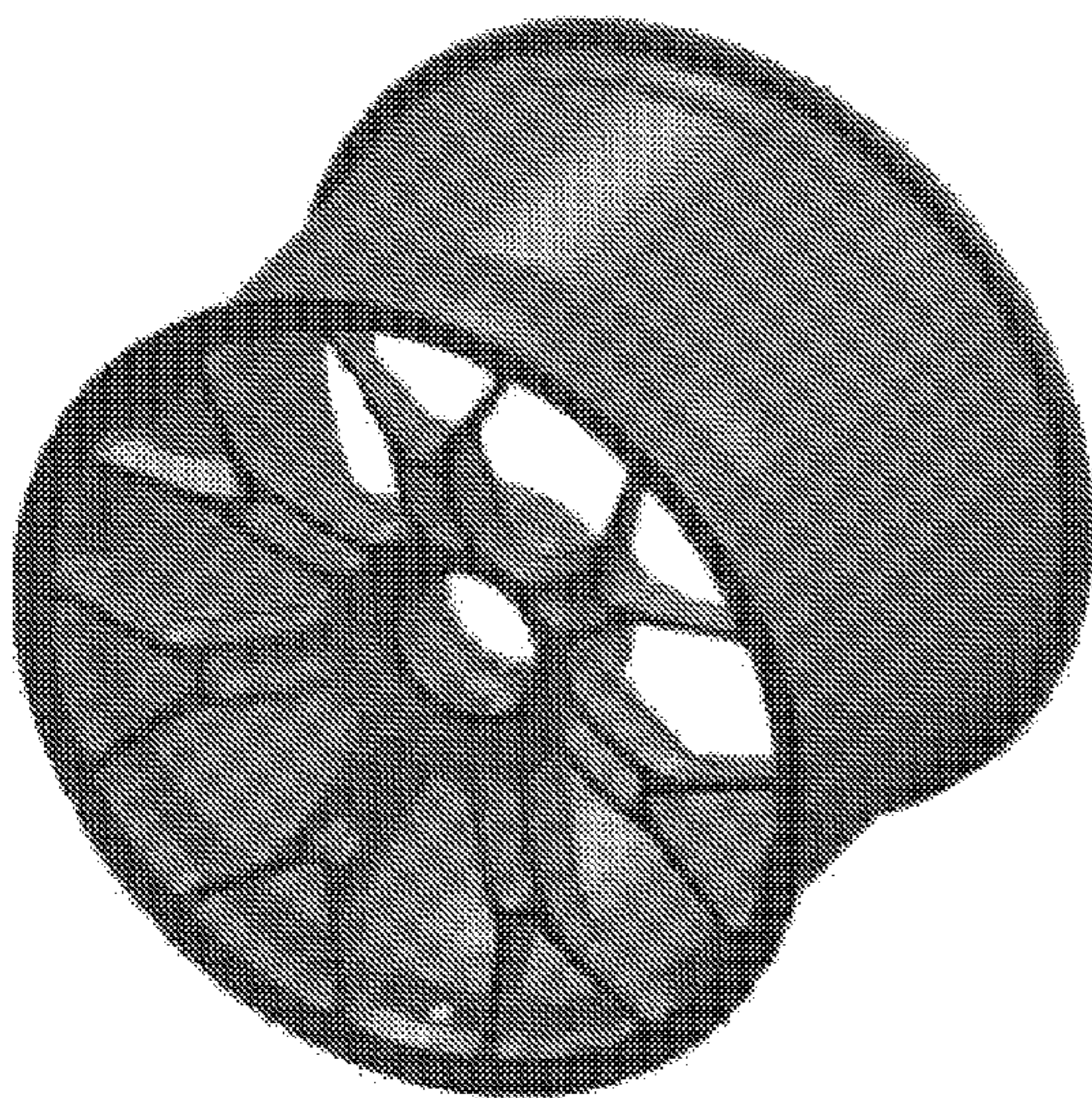
FIG. 4 is a perspective view of a wheel according to a second embodiment of my new design, those features not shown in this view are disclaimed as forming no part of the claimed design;

FIG. 5 is a perspective view of a wheel according to a third embodiment of my new design;

FIG. 6 is a second perspective view of the wheel of FIG. 5; and,

FIG. 7 is a front elevational view of the wheel of FIG. 5, those features not shown in FIGS. 5-7 are disclaimed as forming no part of the claimed design.

**1 Claim, 4 Drawing Sheets**



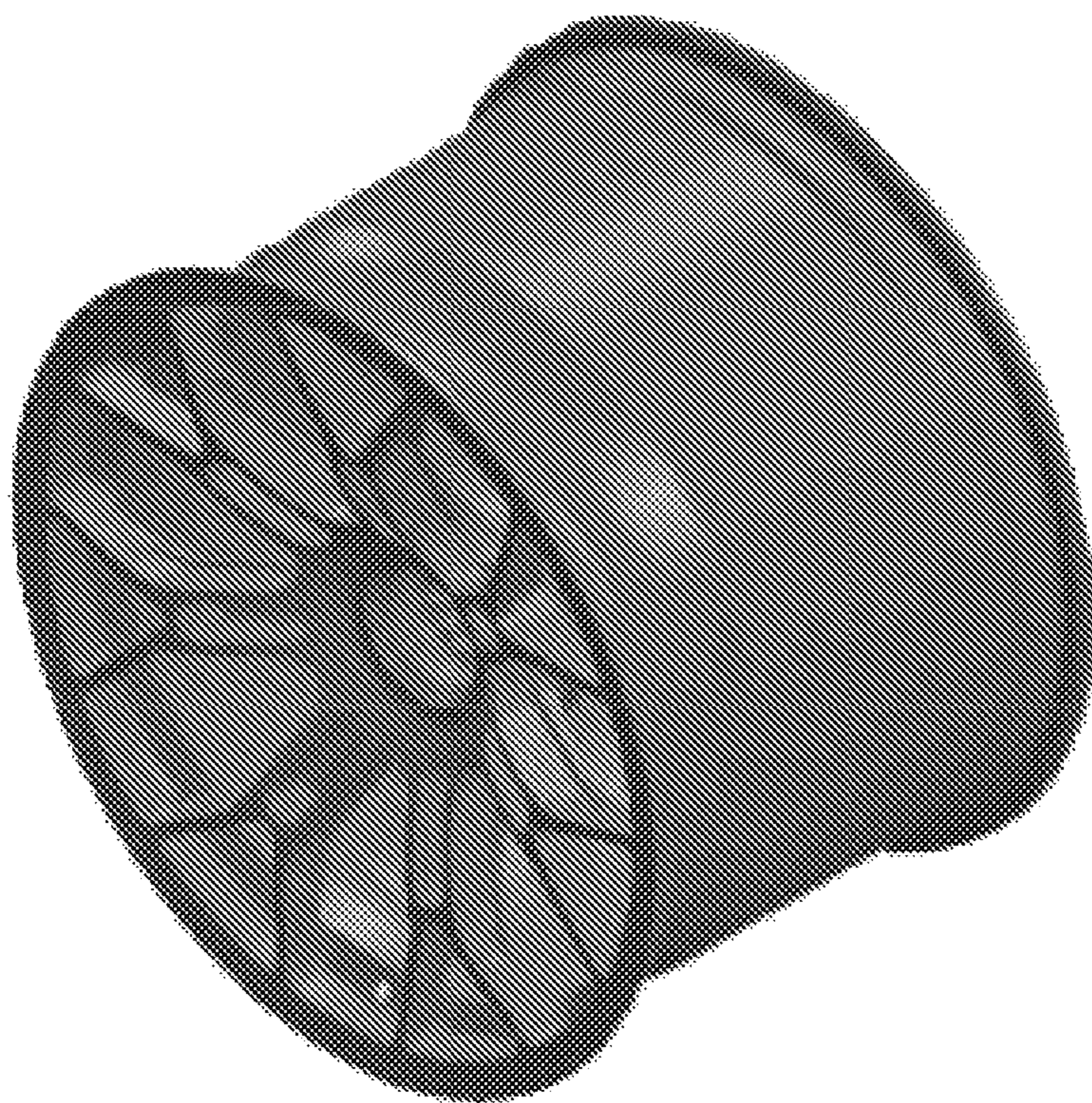


FIG. 1

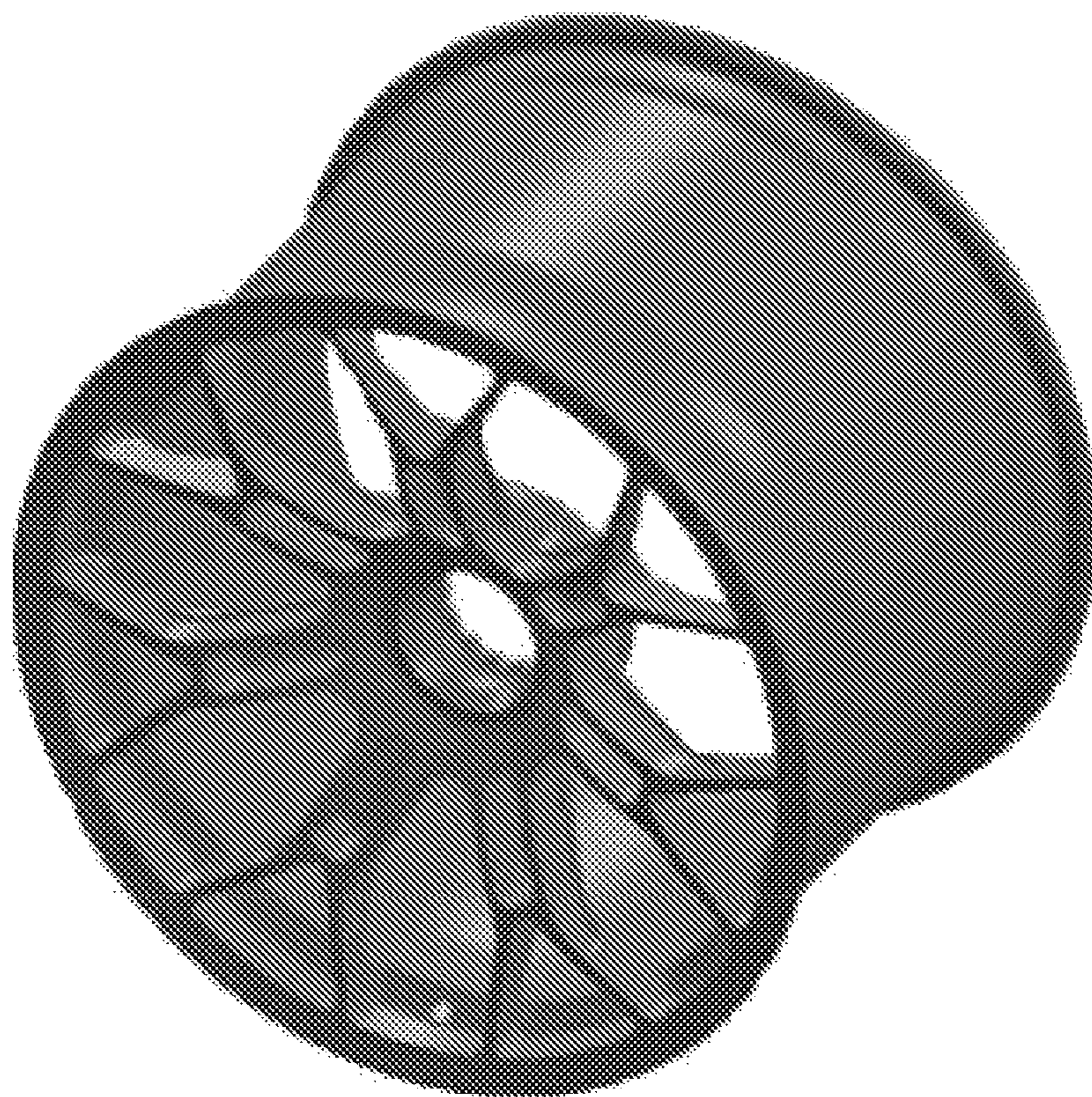


FIG. 2

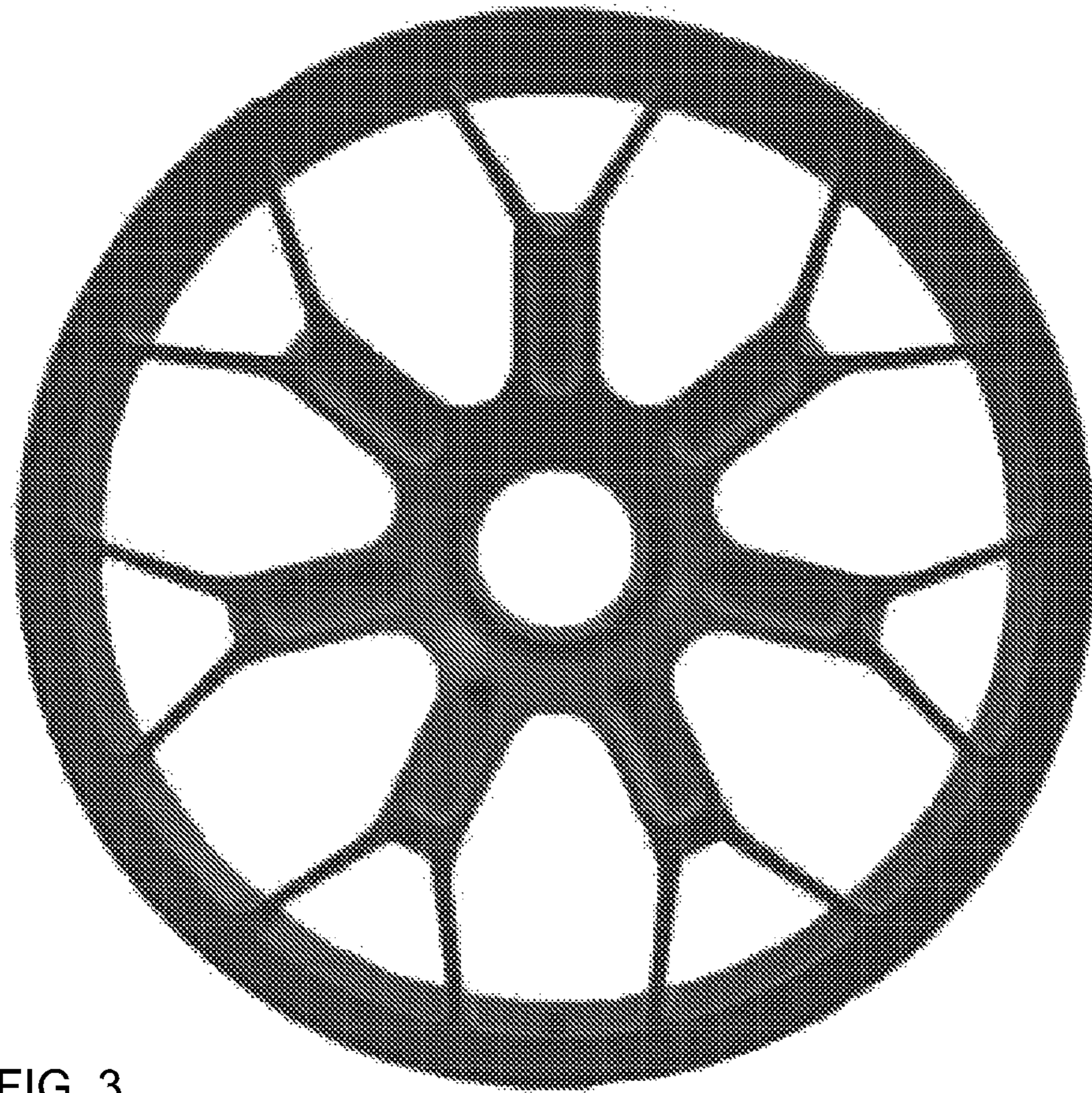


FIG. 3

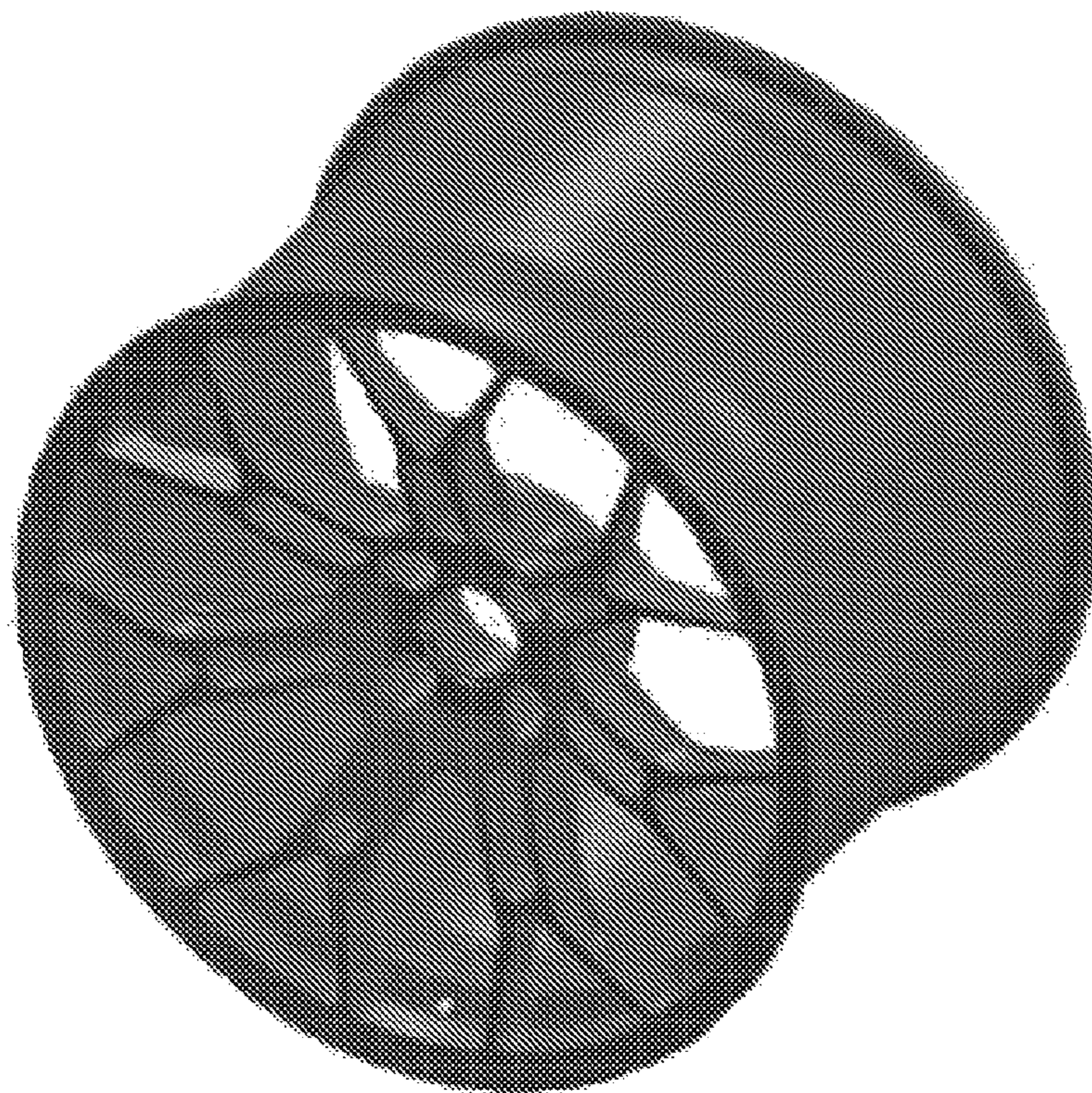


FIG 4.

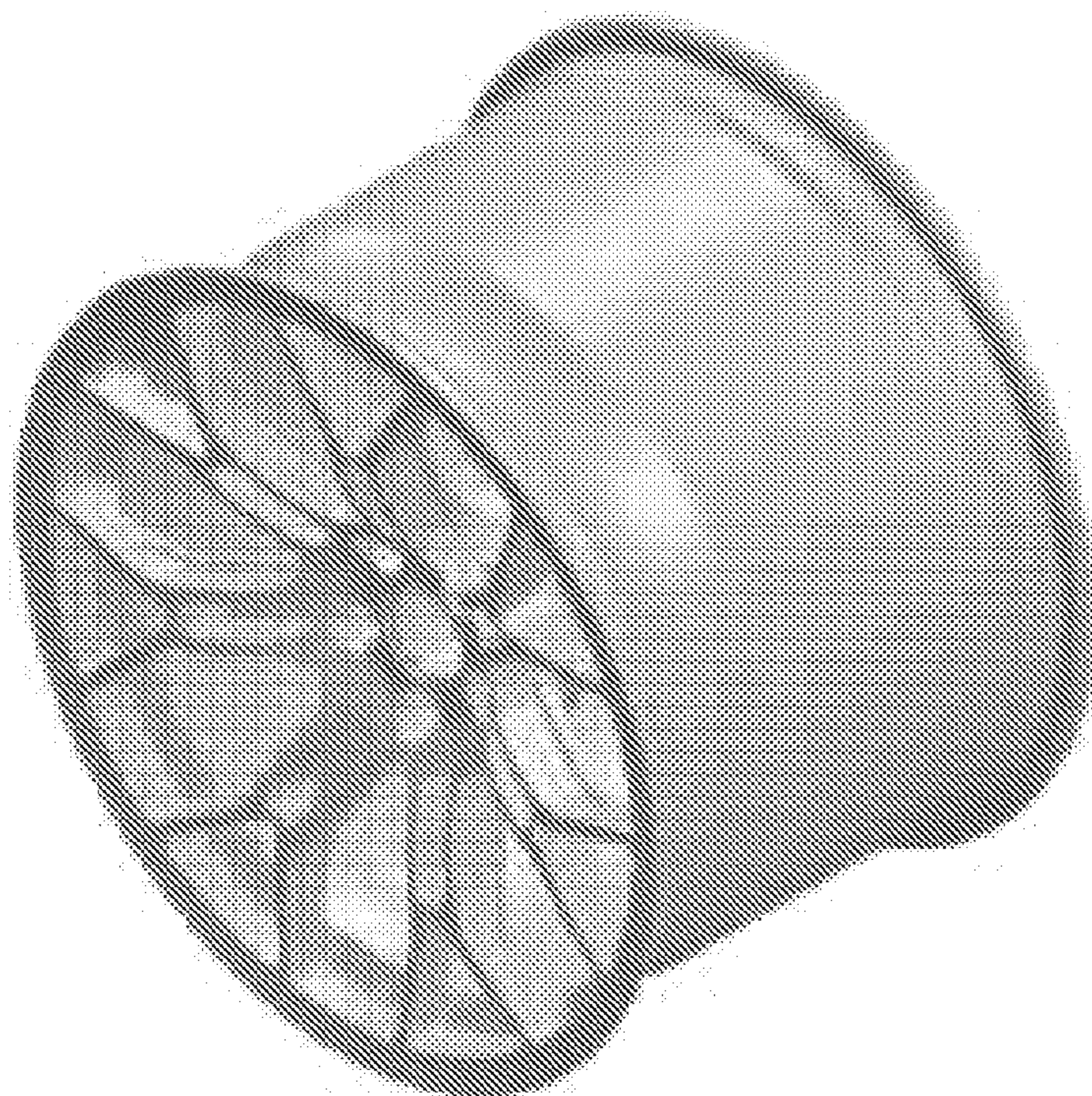


FIG. 5

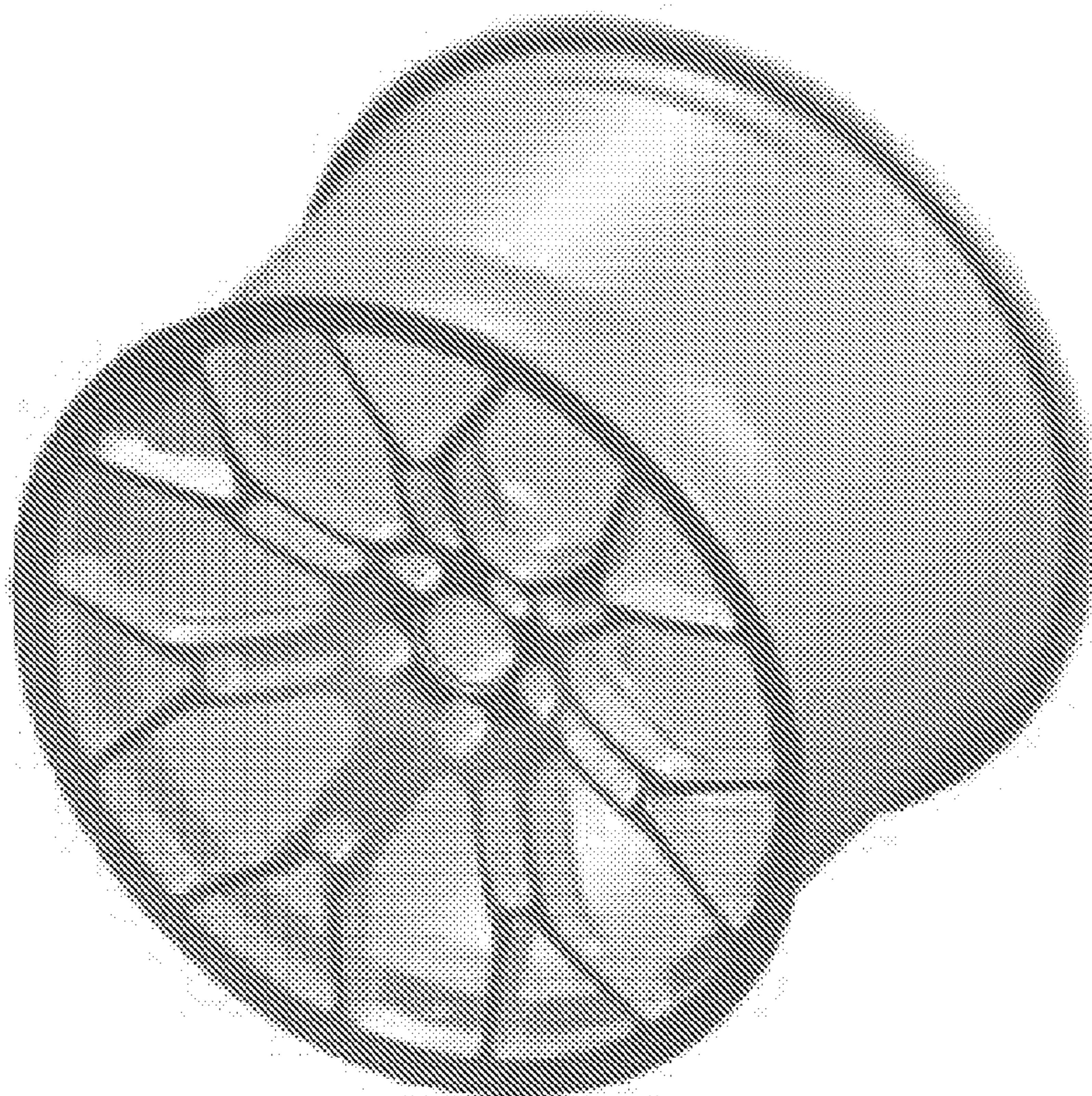


FIG. 6

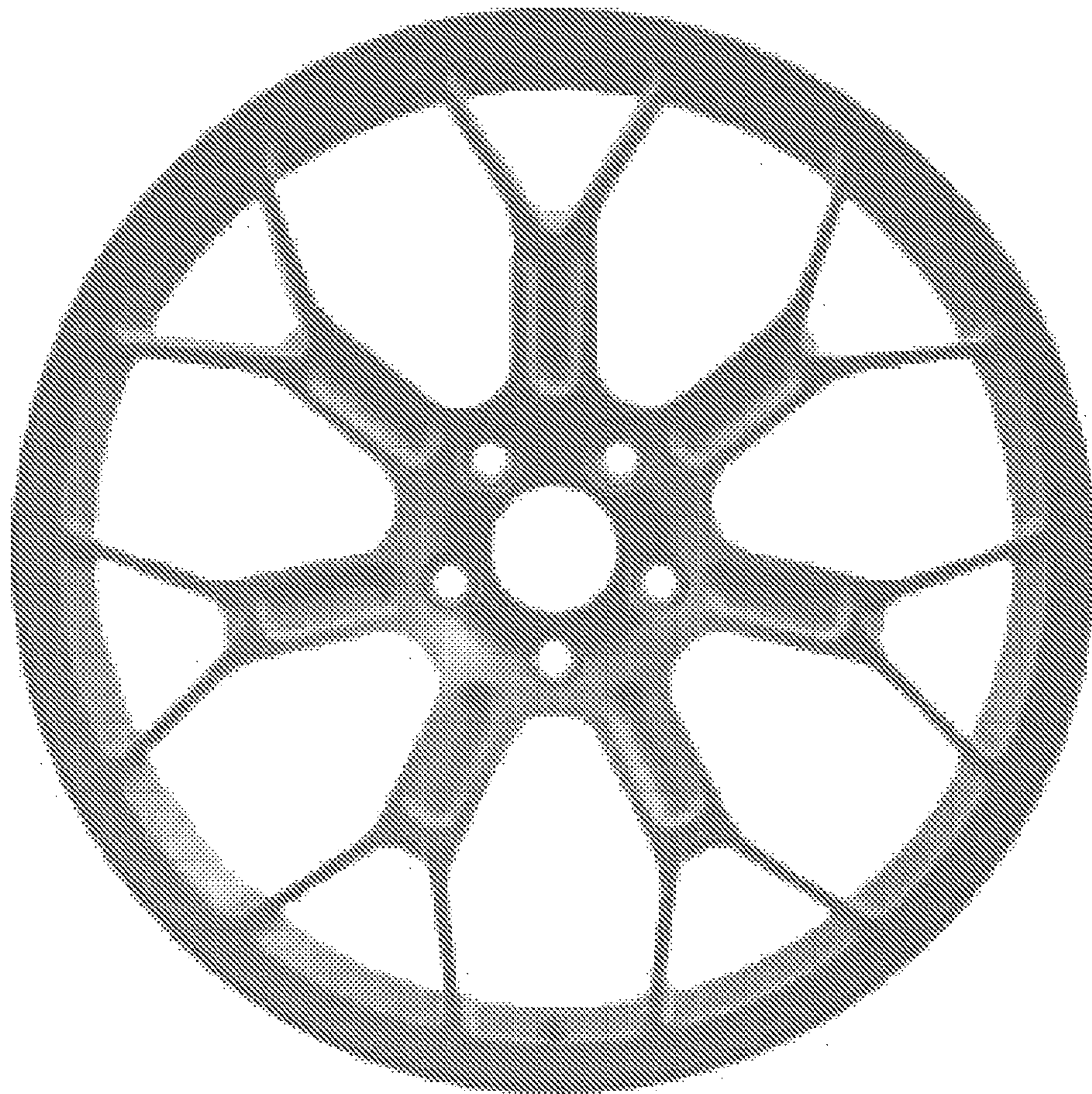


FIG. 7