



US00D649912S

(12) **United States Design Patent**
Chen

(10) **Patent No.:** **US D649,912 S**

(45) **Date of Patent:** **** Dec. 6, 2011**

(54) **BABY TRAILER FRAME**

(76) Inventor: **Tzu-Hsuan Chen**, Taipei (TW)

(**) Term: **14 Years**

(21) Appl. No.: **29/340,261**

(22) Filed: **Jul. 15, 2009**

(51) **LOC (9) Cl.** **12-10**

(52) **U.S. Cl.** **D12/101**

(58) **Field of Classification Search** D12/101,
D12/105; 280/204, 293

See application file for complete search history.

(56) **References Cited**

U.S. PATENT DOCUMENTS

5,261,683	A *	11/1993	Kurdziel	280/204
D633,825	S *	3/2011	van Leeuwen et al.	D12/101
2002/0074764	A1 *	6/2002	Allen et al.	280/204
2002/0096857	A1 *	7/2002	Valdez et al.	280/293
2007/0284842	A1 *	12/2007	O'Donnell	280/204

* cited by examiner

Primary Examiner — George D Kirschbaum

(74) *Attorney, Agent, or Firm* — Jackson IPG PLLC;
Demian K. Jackson

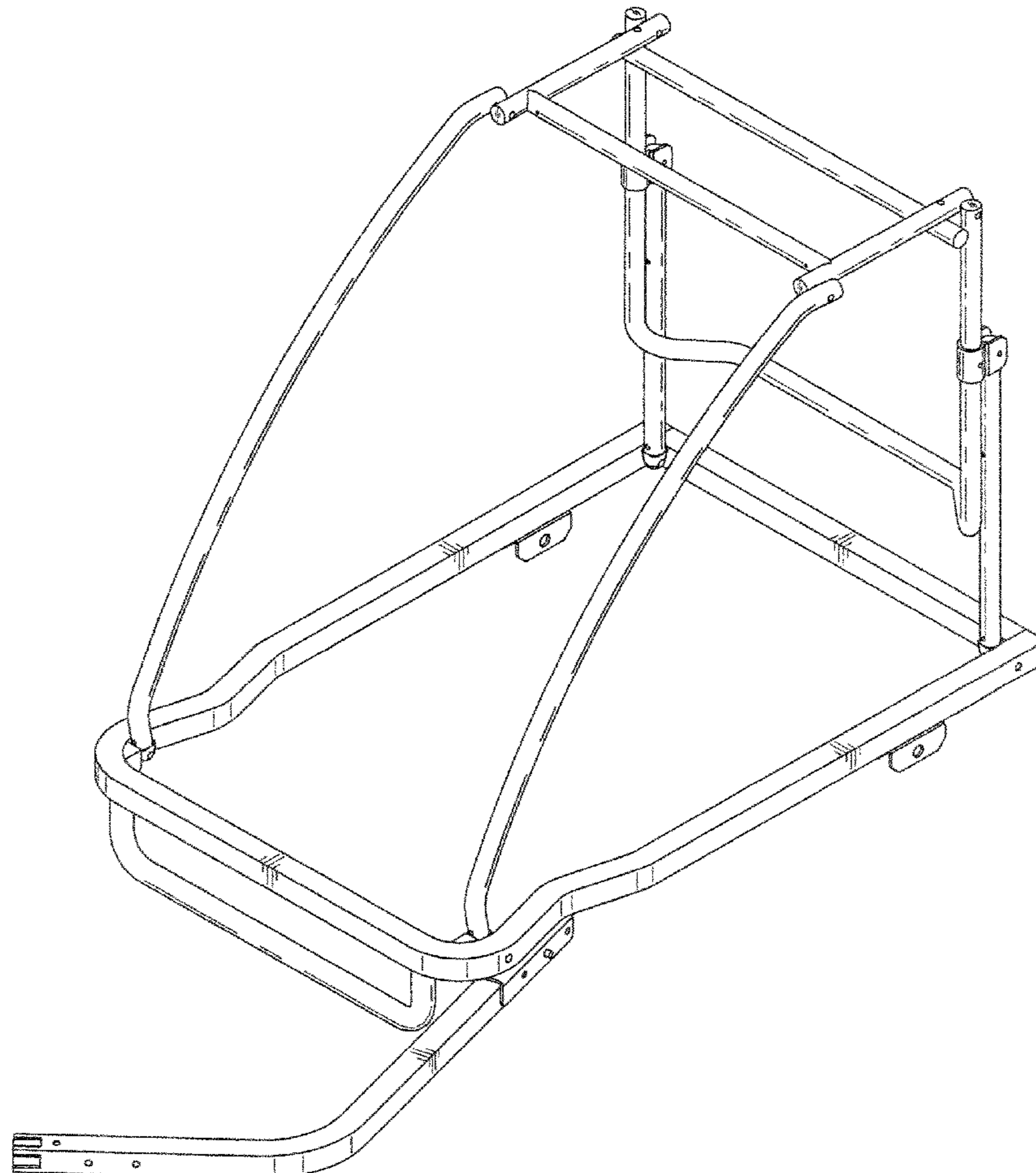
(57) **CLAIM**

The ornamental design for baby trailer frame, as shown and described.

DESCRIPTION

FIG. 1 is a perspective view of a baby trailer frame showing my new design;
FIG. 2 is a front elevational view thereof;
FIG. 3 is a rear elevational view thereof;
FIG. 4 is a top plan view thereof;
FIG. 5 is a bottom plan view thereof; and
FIG. 6 is a left side elevational view thereof; and,
FIG. 7 is a right side elevational view thereof.

1 Claim, 7 Drawing Sheets



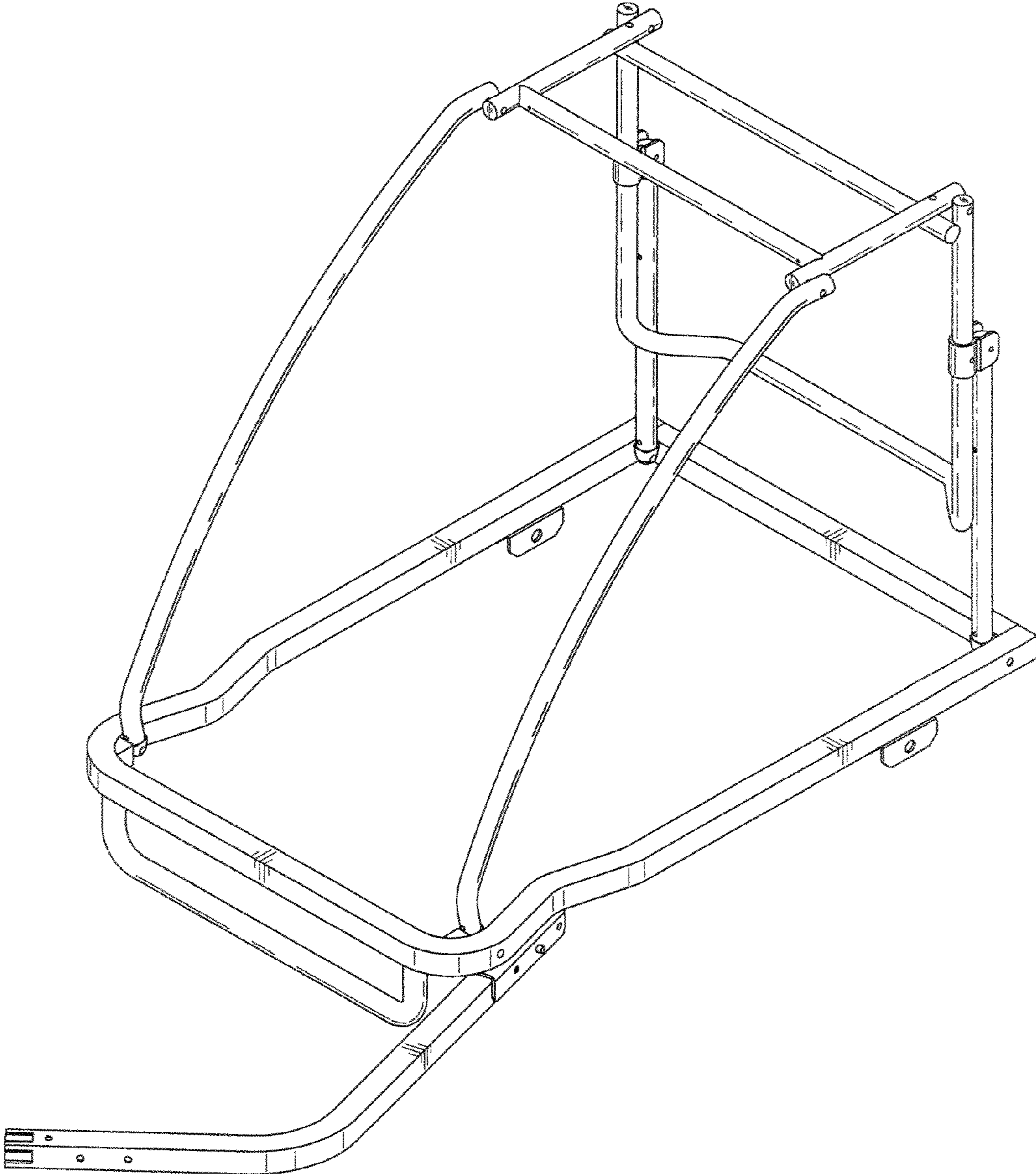


Fig. 1

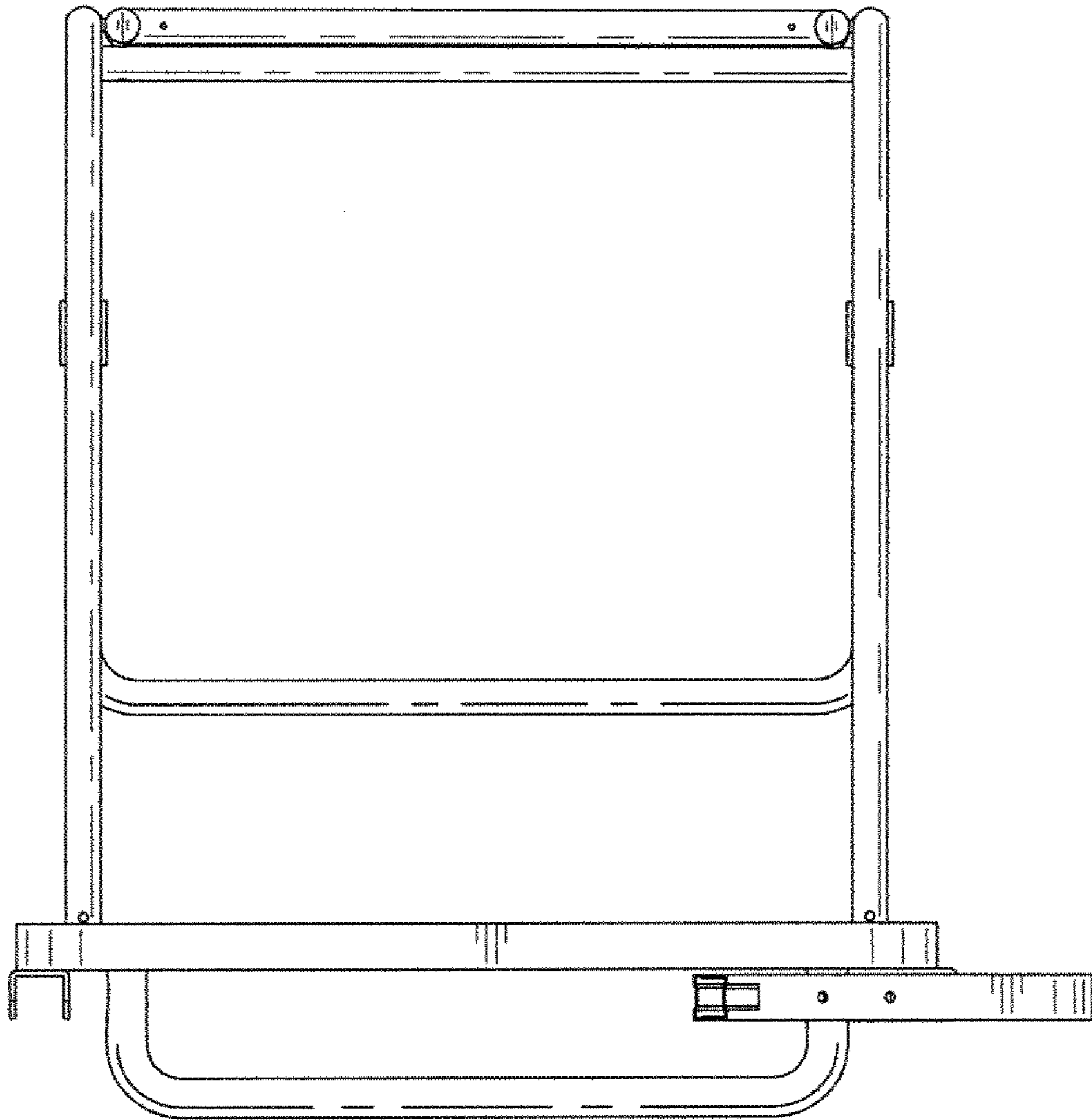


Fig. 2

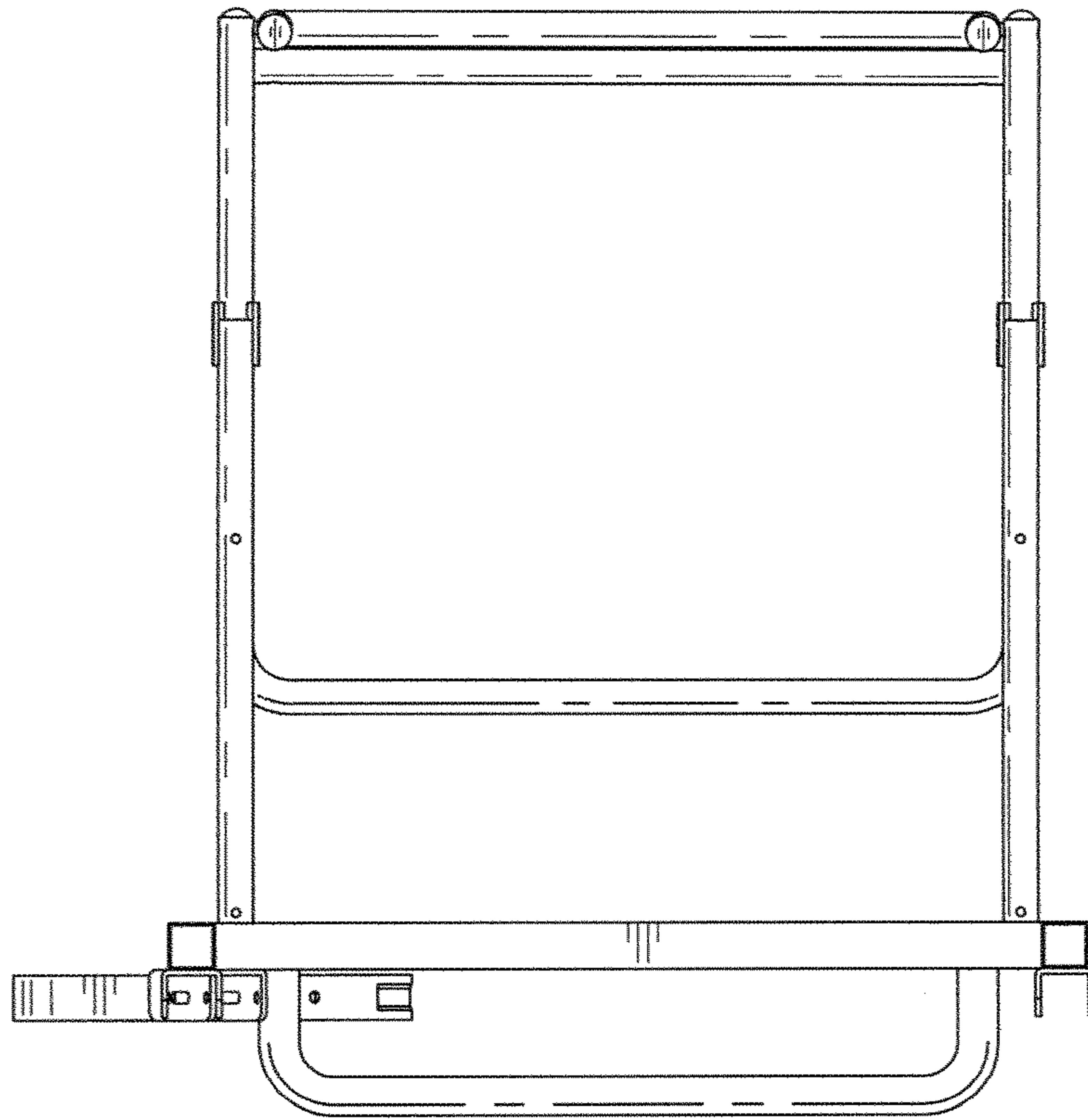


Fig. 3

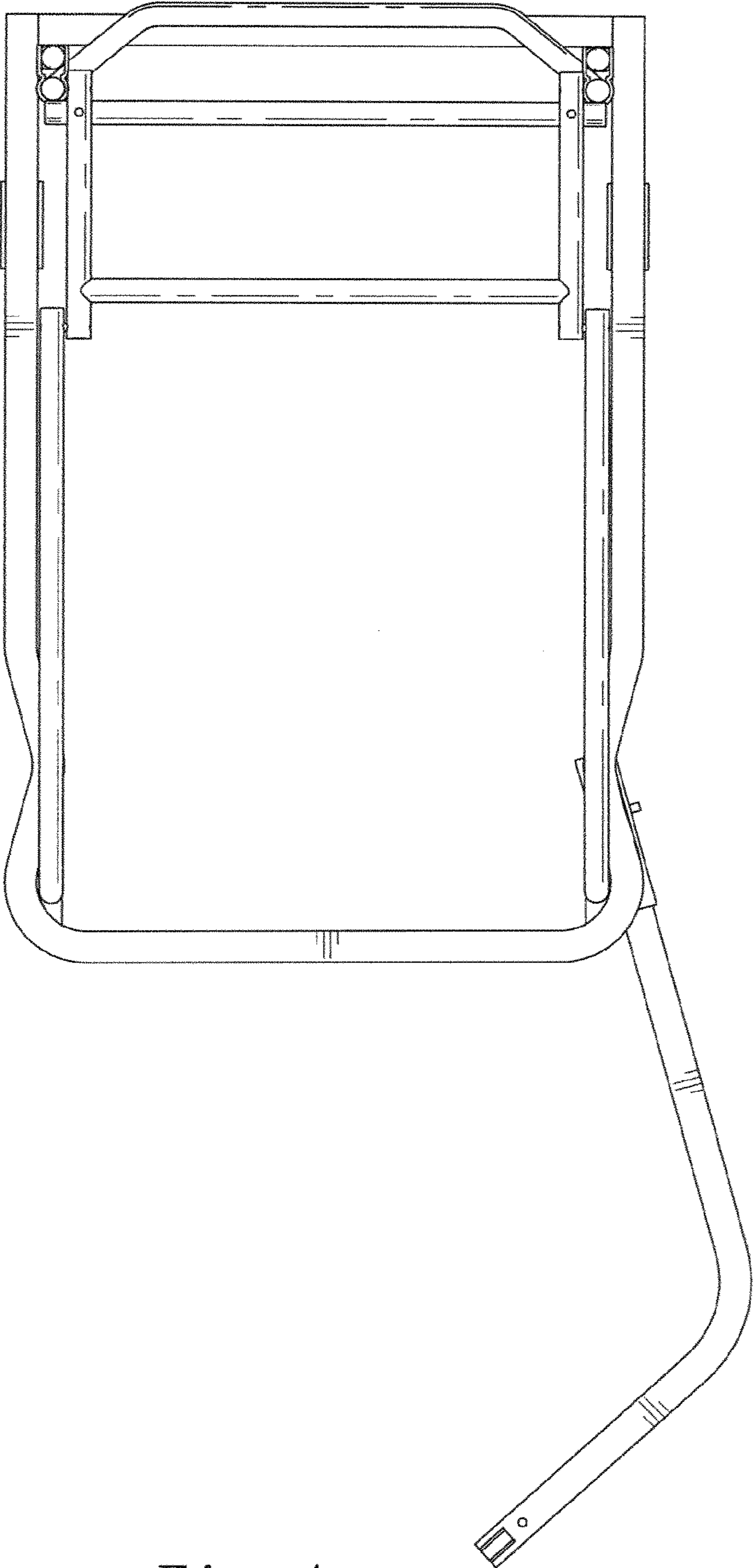


Fig. 4

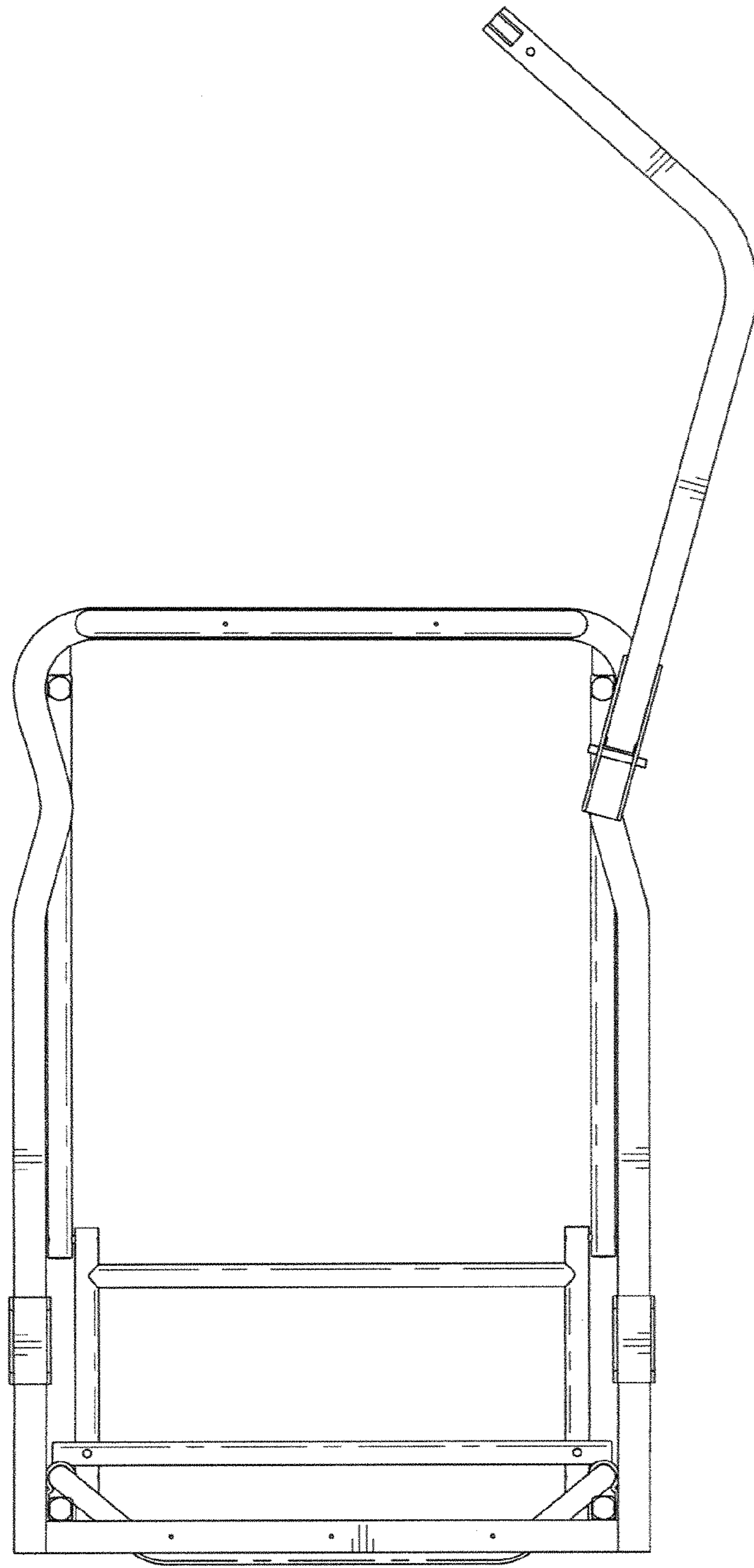


Fig. 5

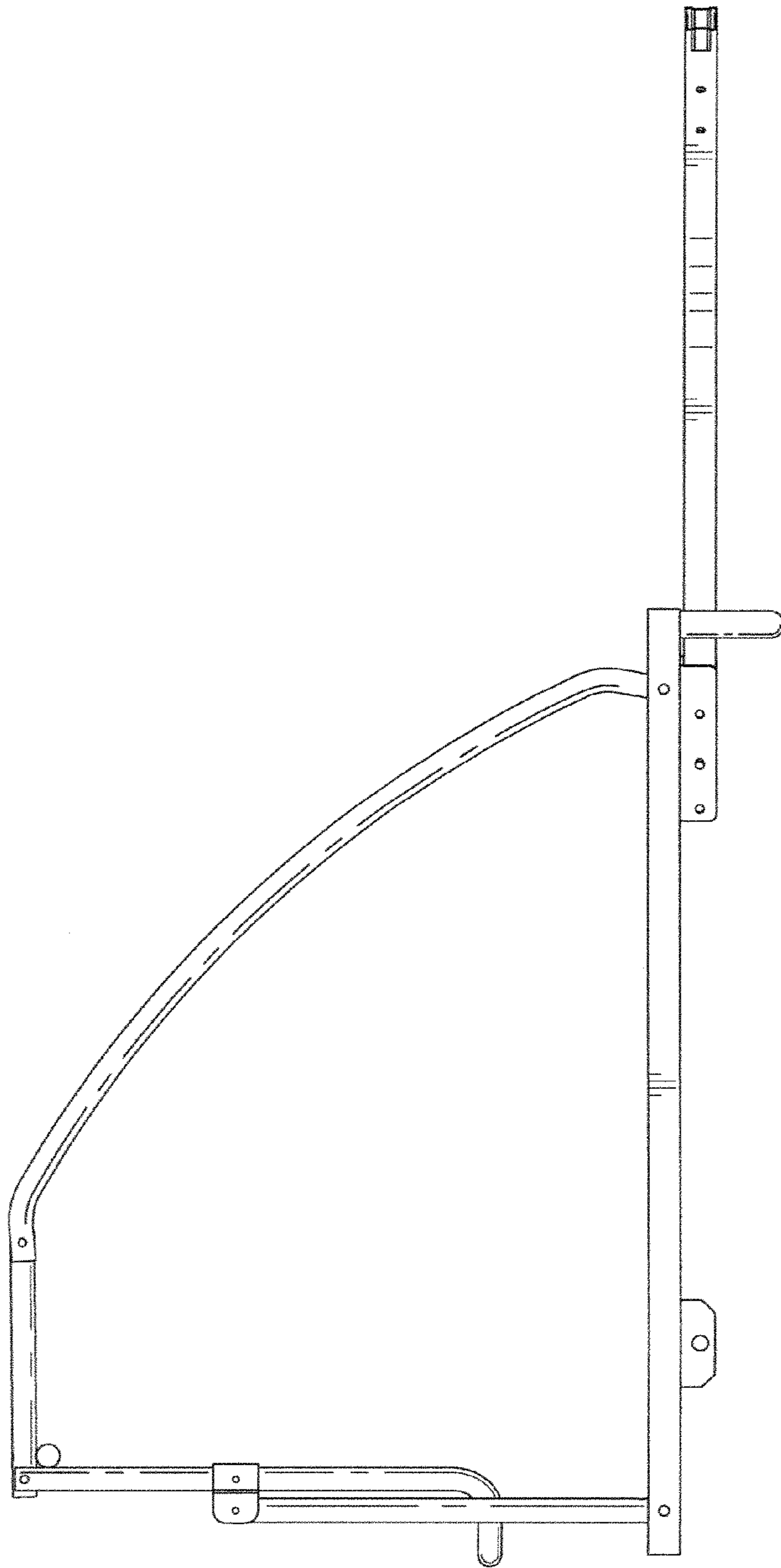


Fig. 6

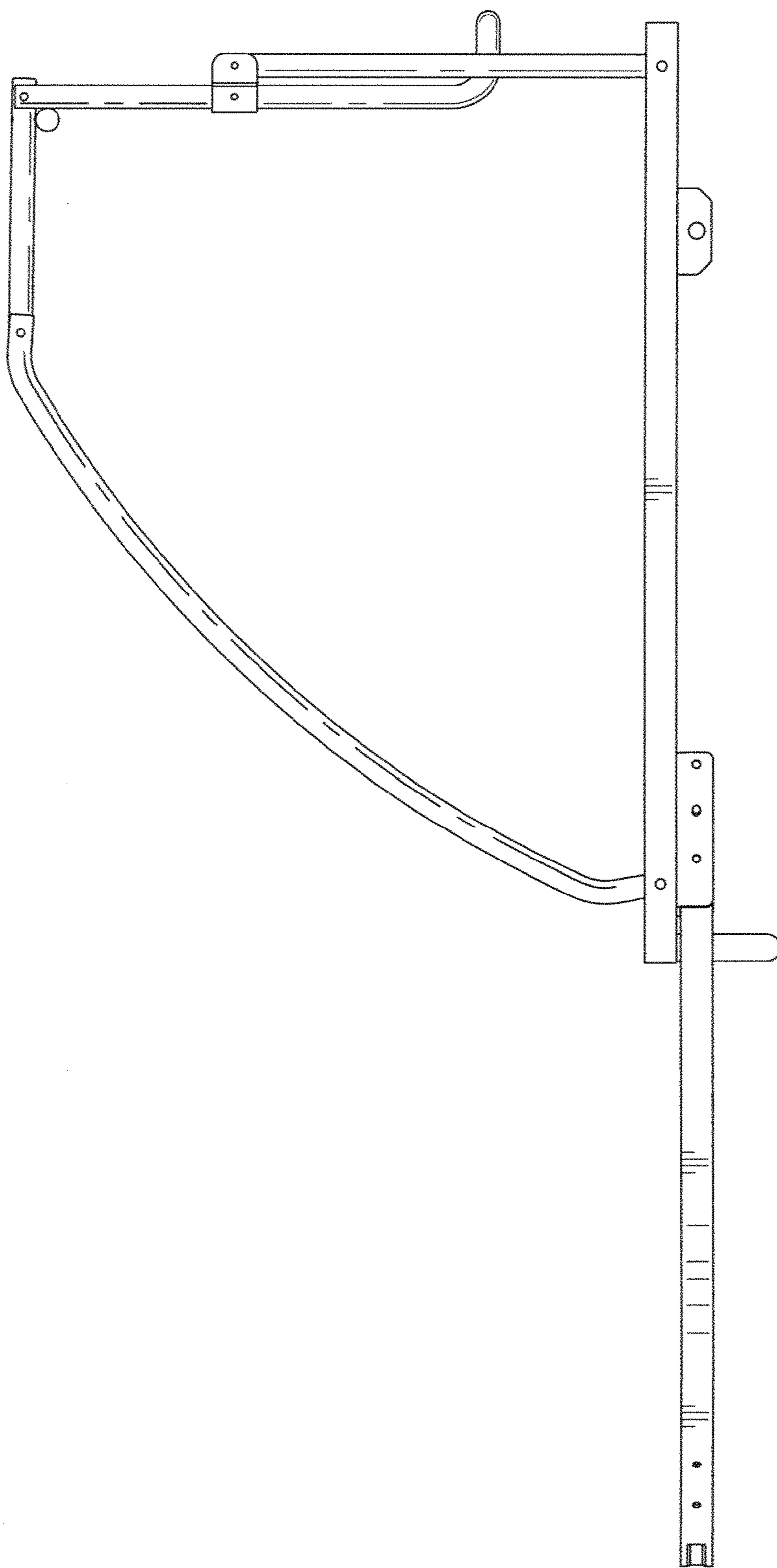


Fig. 7