



US00D649907S

(12) **United States Design Patent**  
**Kataguchi**

(10) **Patent No.:** **US D649,907 S**

(45) **Date of Patent:** **\*\* Dec. 6, 2011**

(54) **BELT ADJUSTER**

(75) Inventor: **Ryoko Kataguchi**, Toyama-ken (JP)

(73) Assignee: **YKK Corporation** (JP)

(\*\*) Term: **14 Years**

(21) Appl. No.: **29/394,464**

(22) Filed: **Jun. 17, 2011**

(30) **Foreign Application Priority Data**

Dec. 17, 2010 (JP) ..... D2010-030171

(51) **LOC (9) Cl.** ..... **02-07**

(52) **U.S. Cl.** ..... **D11/218**

(58) **Field of Classification Search** ..... D11/1-2,  
D11/200-201, 206-210, 214-218; 24/163 R,  
24/169-171, 173, 177-179, 191, 194-195,  
24/197, 200, 614-616, 625; 240/169-171;  
D3/318; 280/808

See application file for complete search history.

(56) **References Cited**

**U.S. PATENT DOCUMENTS**

D340,008 S *	10/1993	Anscher	.....	D11/218
D347,601 S	6/1994	Anscher		
D352,254 S *	11/1994	Prosser	.....	D11/218
D398,262 S *	9/1998	Anscher	.....	D11/218
D421,578 S	3/2000	Anscher		
D446,473 S *	8/2001	Chung	.....	D11/218
D456,309 S *	4/2002	Yoshiguchi	.....	D11/218
D483,294 S *	12/2003	Uehara	.....	D11/218

D491,103 S *	6/2004	Uehara et al.	.....	D11/218
D507,509 S	7/2005	Hou		
D507,763 S	7/2005	Kaneko et al.		
D507,990 S *	8/2005	Yoshiguchi	.....	D11/218
D508,218 S *	8/2005	Yoshiguchi	.....	D11/218
D510,297 S *	10/2005	Funo et al.	.....	D11/218
D520,908 S *	5/2006	Haymond	.....	D11/218
D564,409 S *	3/2008	Pontaoe	.....	D11/218
D610,946 S *	3/2010	Harada	.....	D11/218

**FOREIGN PATENT DOCUMENTS**

JP D777431 12/1989

\* cited by examiner

*Primary Examiner* — Ralf Seifert

(74) *Attorney, Agent, or Firm* — Kilpatrick Townsend & Stockton LLP

(57) **CLAIM**

The ornamental design for a belt adjuster, as shown and described.

**DESCRIPTION**

FIG. 1 is a perspective view of the bottom, front and right side of a belt adjuster showing my (our) new design; FIG. 2 is a front view thereof; FIG. 3 is a rear view thereof; FIG. 4 is a top plan view thereof; FIG. 5 is a bottom view thereof; and, FIG. 6 is a right side view thereof, the left side view being mirror image thereof.

**1 Claim, 5 Drawing Sheets**

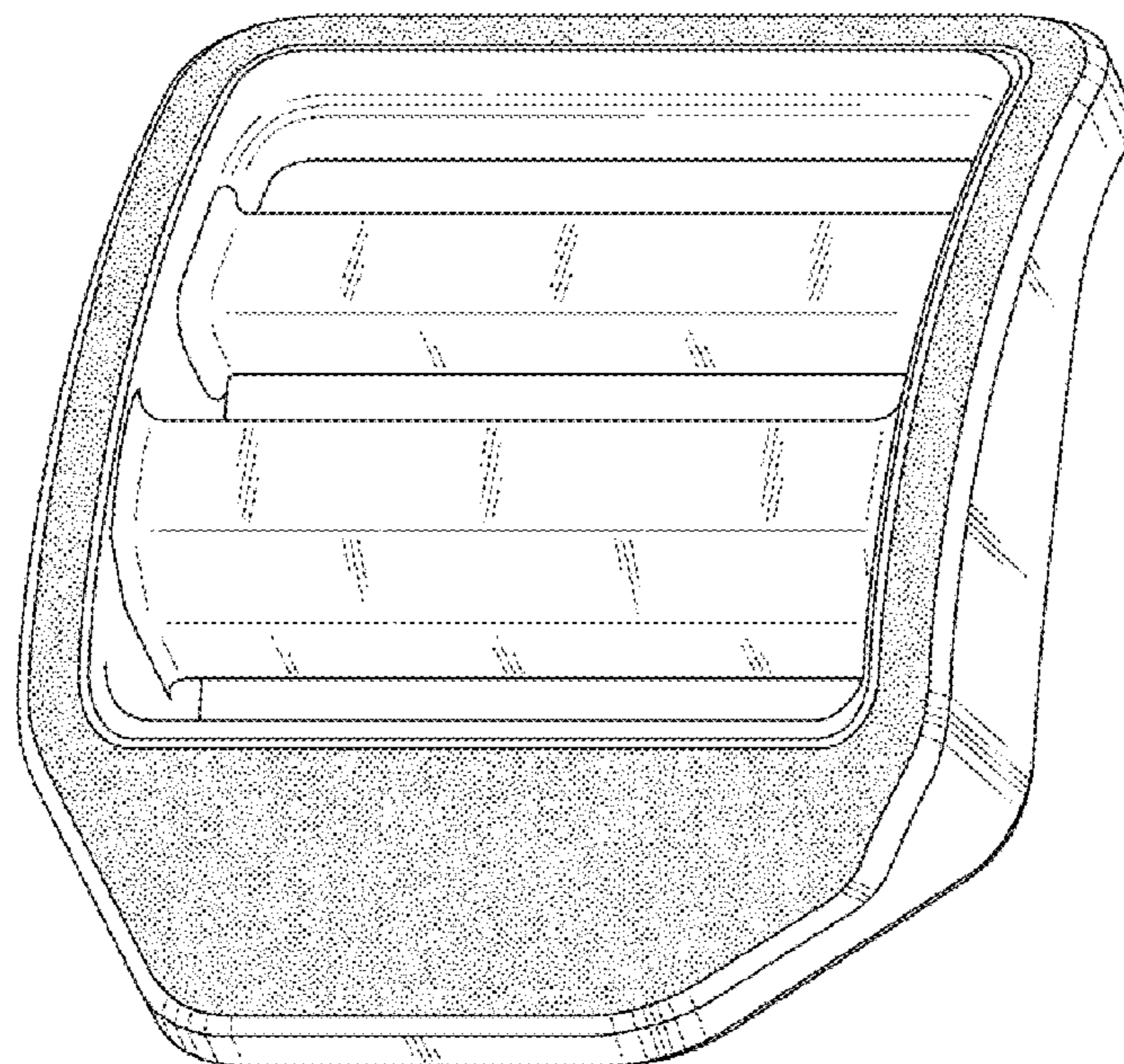


Fig. 1

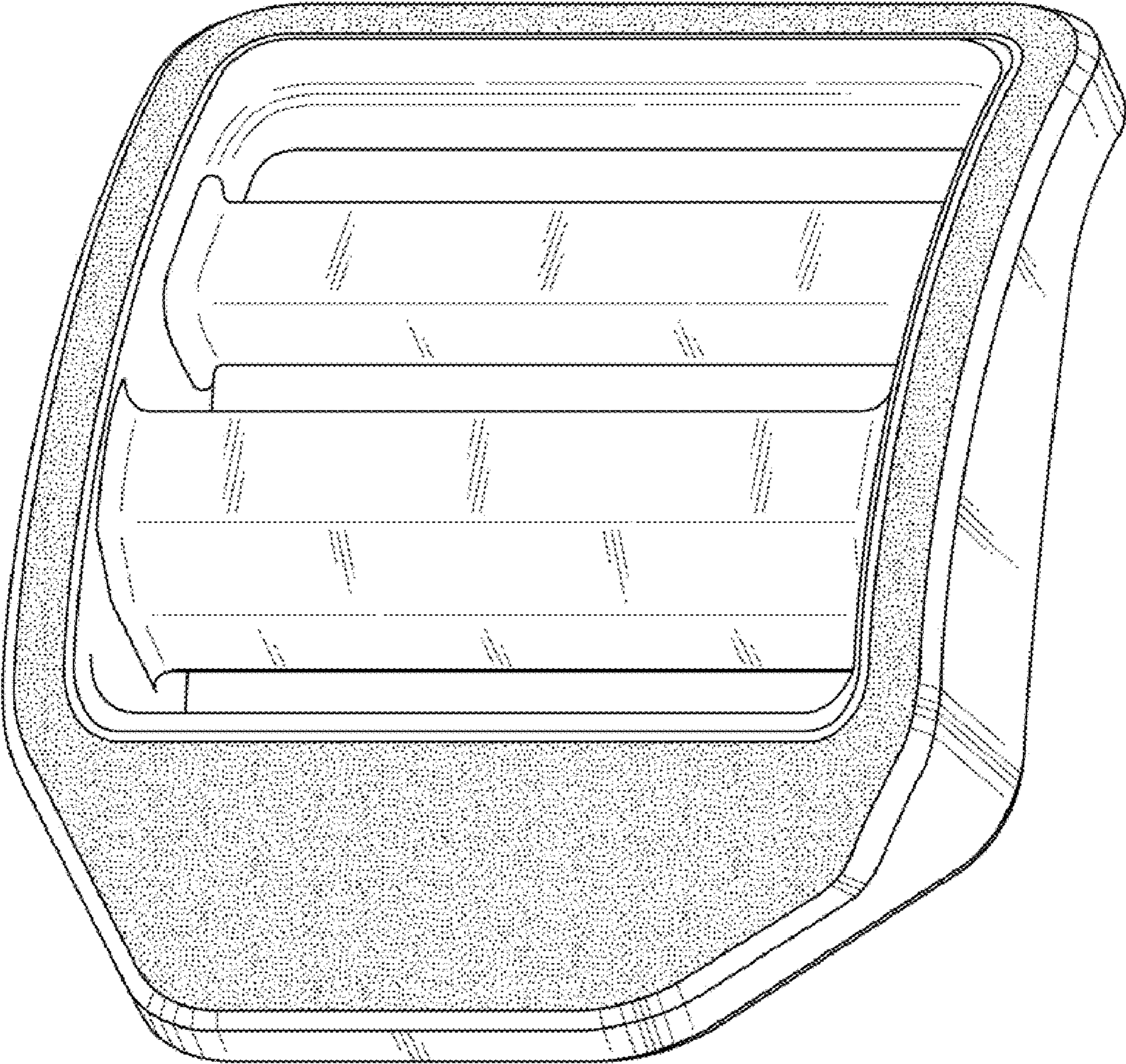


Fig. 2

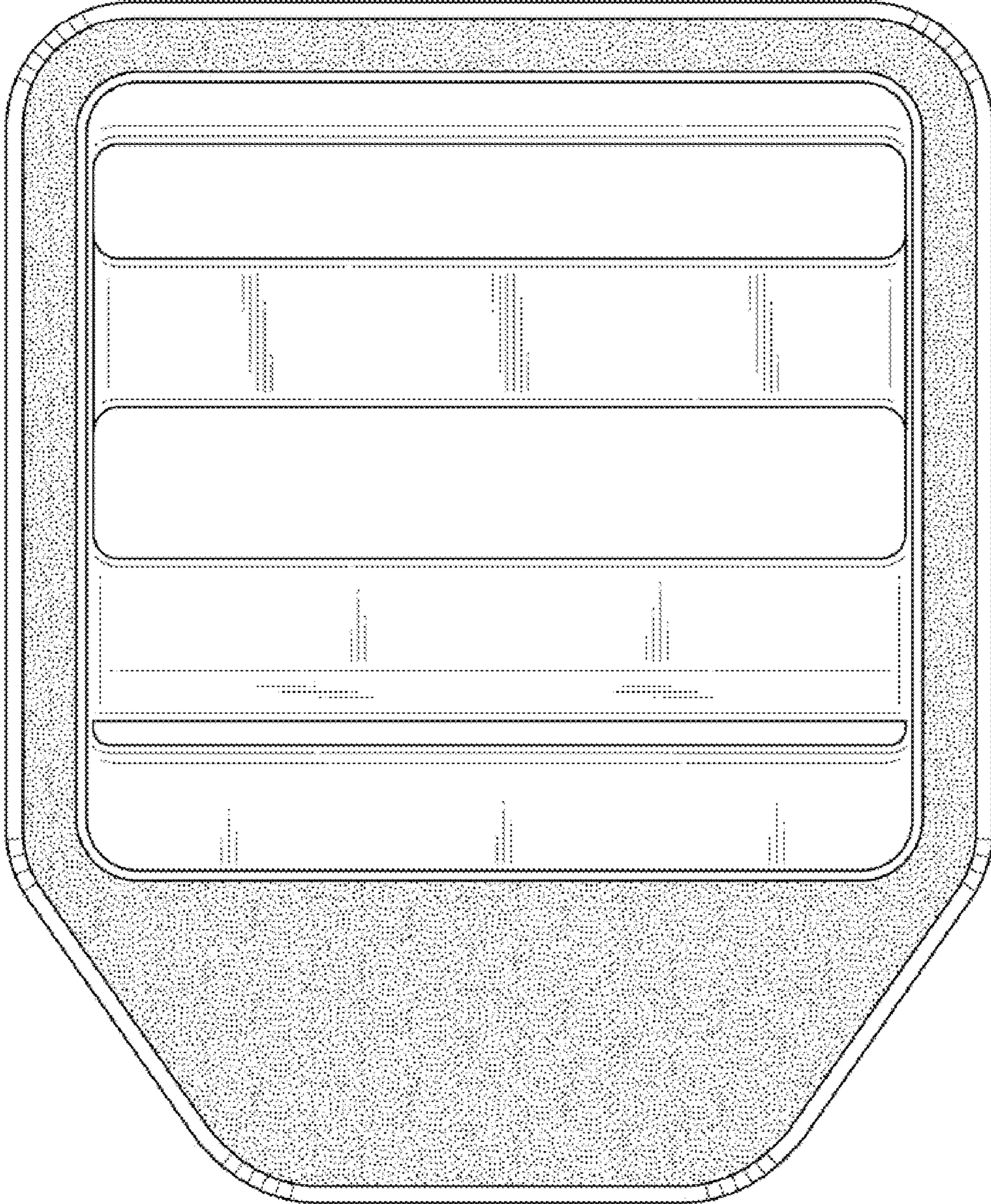


Fig. 3

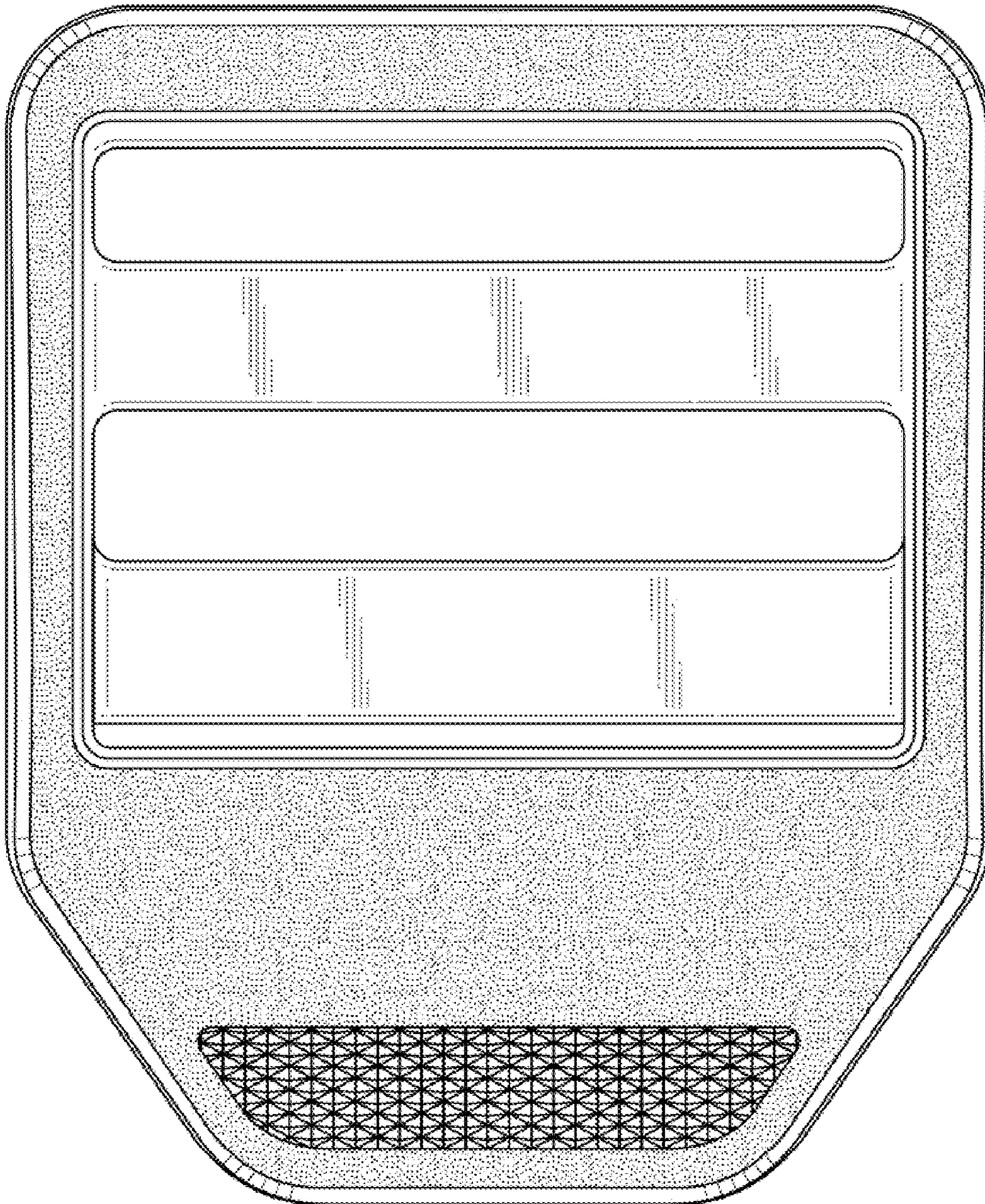


Fig. 4

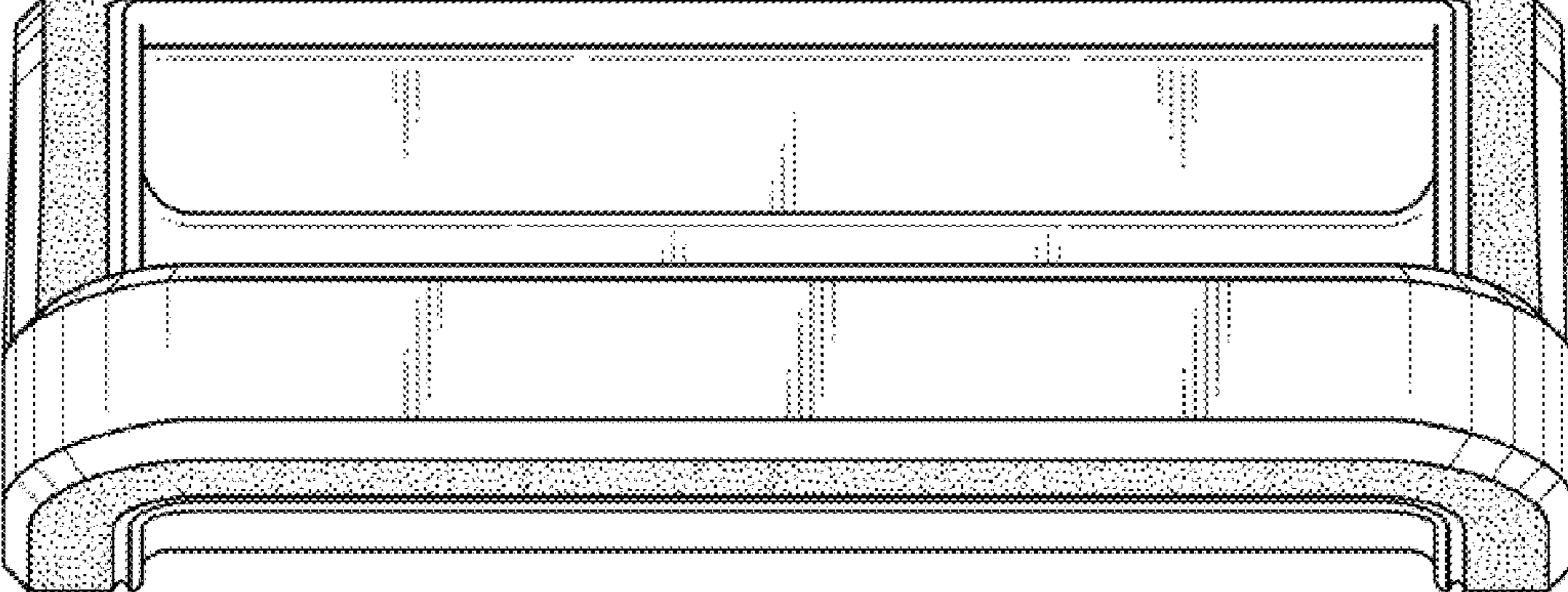


Fig. 5

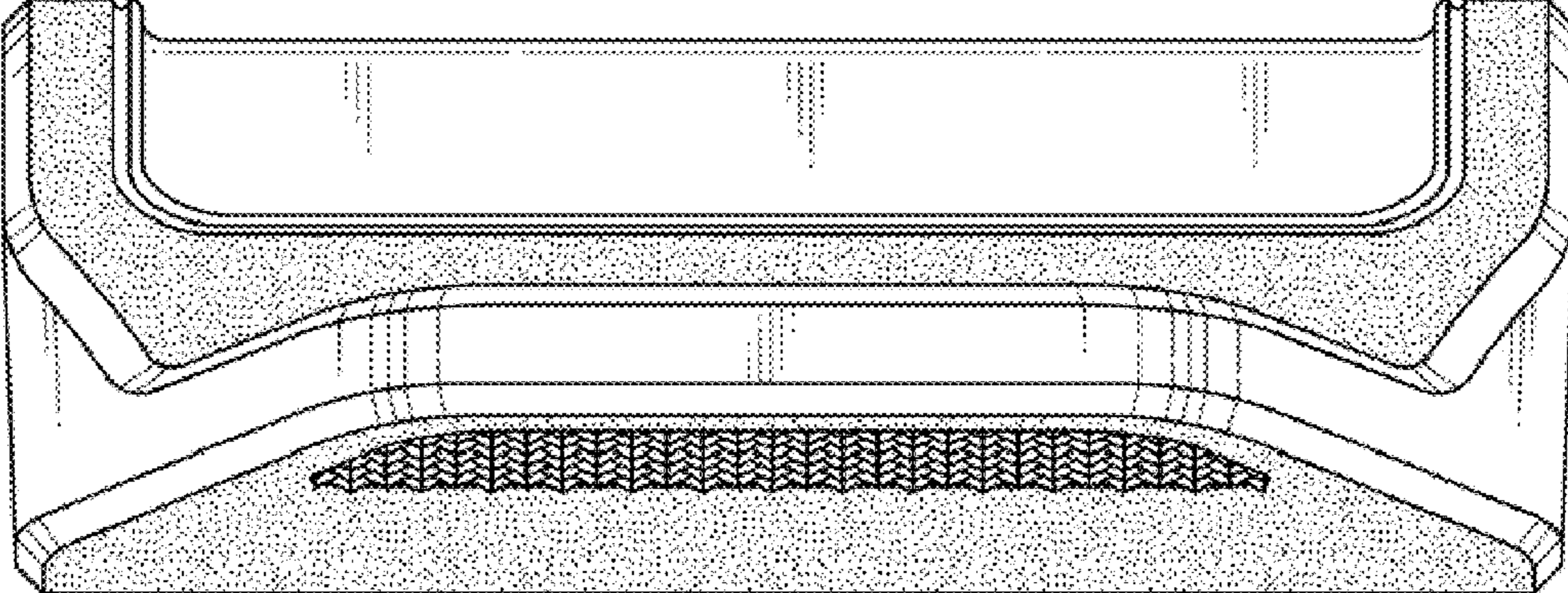


Fig. 6

