



US00D649903S

(12) **United States Design Patent**
Marks

(10) **Patent No.:** **US D649,903 S**

(45) **Date of Patent:** **** Dec. 6, 2011**

(54) **JEWELRY ELEMENT**

(75) Inventor: **Sandy Marks**, Dallas, TX (US)

(73) Assignee: **SBRE, LLC**, New York, NY (US)

(**) Term: **14 Years**

(21) Appl. No.: **29/359,810**

(22) Filed: **Apr. 15, 2010**

Related U.S. Application Data

(63) Continuation of application No. 29/338,049, filed on Jun. 3, 2009, now Pat. No. Des. 621,739.

(51) **LOC (9) Cl.** **11-01**

(52) **U.S. Cl.** **D11/79; D11/1; D11/86**

(58) **Field of Classification Search** D11/40-48,
D11/1-2, 93, 94, 74-78, 79-85; 63/12, 13,
63/1.11, 26, 28, 14.1-14.8
See application file for complete search history.

(56) **References Cited**

U.S. PATENT DOCUMENTS

D17,349 S	5/1887	Katz	
1,732,250 A	10/1929	Wehse	
D150,546 S	8/1948	Boucher	
D173,224 S	10/1954	Katz	
D218,192 S *	7/1970	Mechanic D11/56
3,613,393 A	10/1971	Lamoureux	
D248,380 S	7/1978	Burchett	
D256,003 S	7/1980	Barr	
D301,318 S	5/1989	Yoshida	
D354,016 S	1/1995	Schubert	
D394,226 S	5/1998	Bell	
D429,474 S	8/2000	Stein	
D455,097 S	4/2002	Salvarani	
D519,875 S	5/2006	Bulgari	
D525,897 S	8/2006	Raiman	
D550,582 S	9/2007	Gruosi-Scheufele	

D552,009 S	10/2007	Jemente	
D567,132 S	4/2008	Bulgari	
D581,308 S	11/2008	Fernandez	
D604,660 S *	11/2009	Marks D11/83
D607,364 S *	1/2010	Marks D11/40
D635,049 S *	3/2011	Marks D11/79

* cited by examiner

Primary Examiner — Cathron Brooks

Assistant Examiner — Melanie Levy

(74) *Attorney, Agent, or Firm* — Pearl Cohen Zedek Latzer, LLP

(57) **CLAIM**

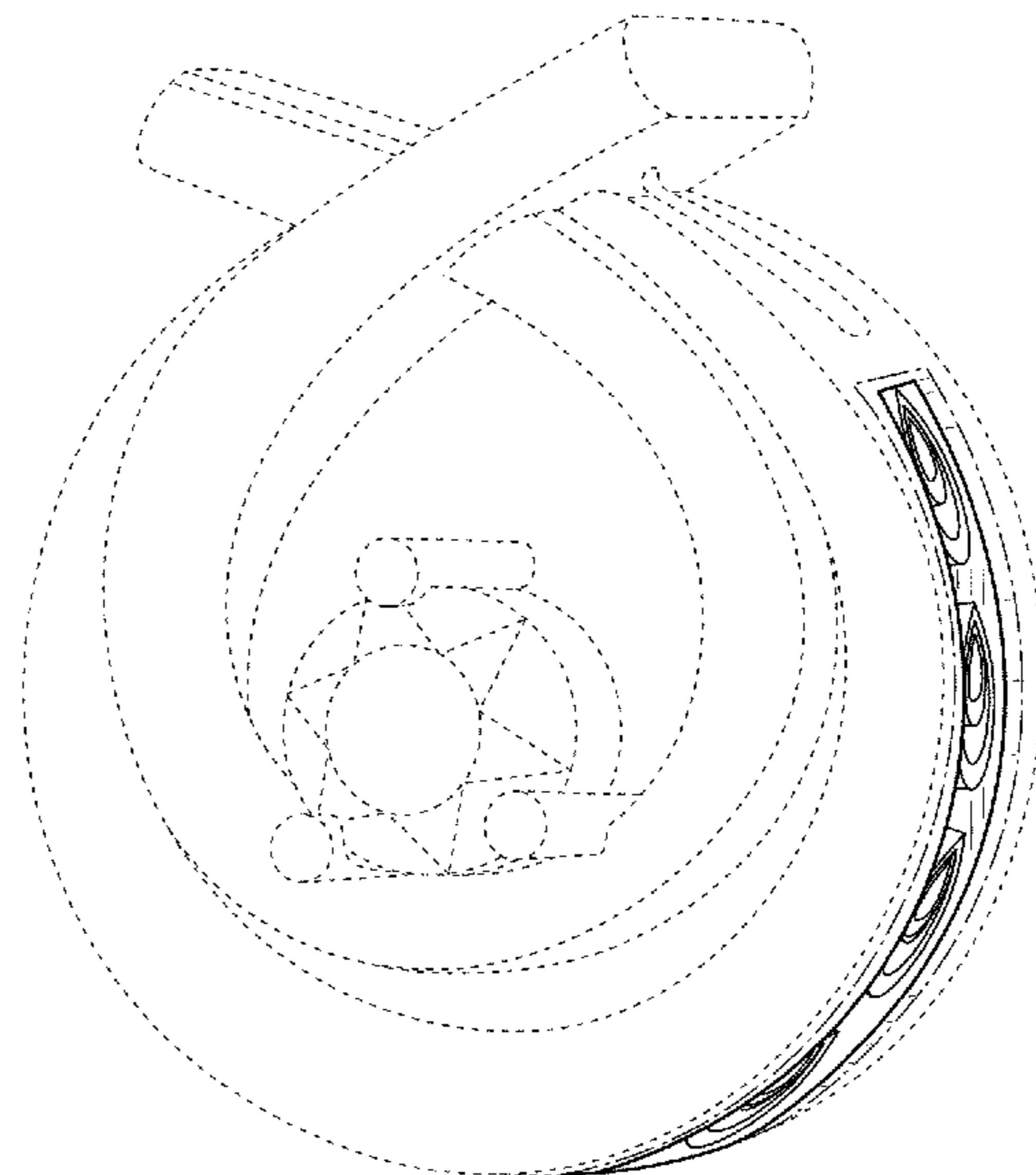
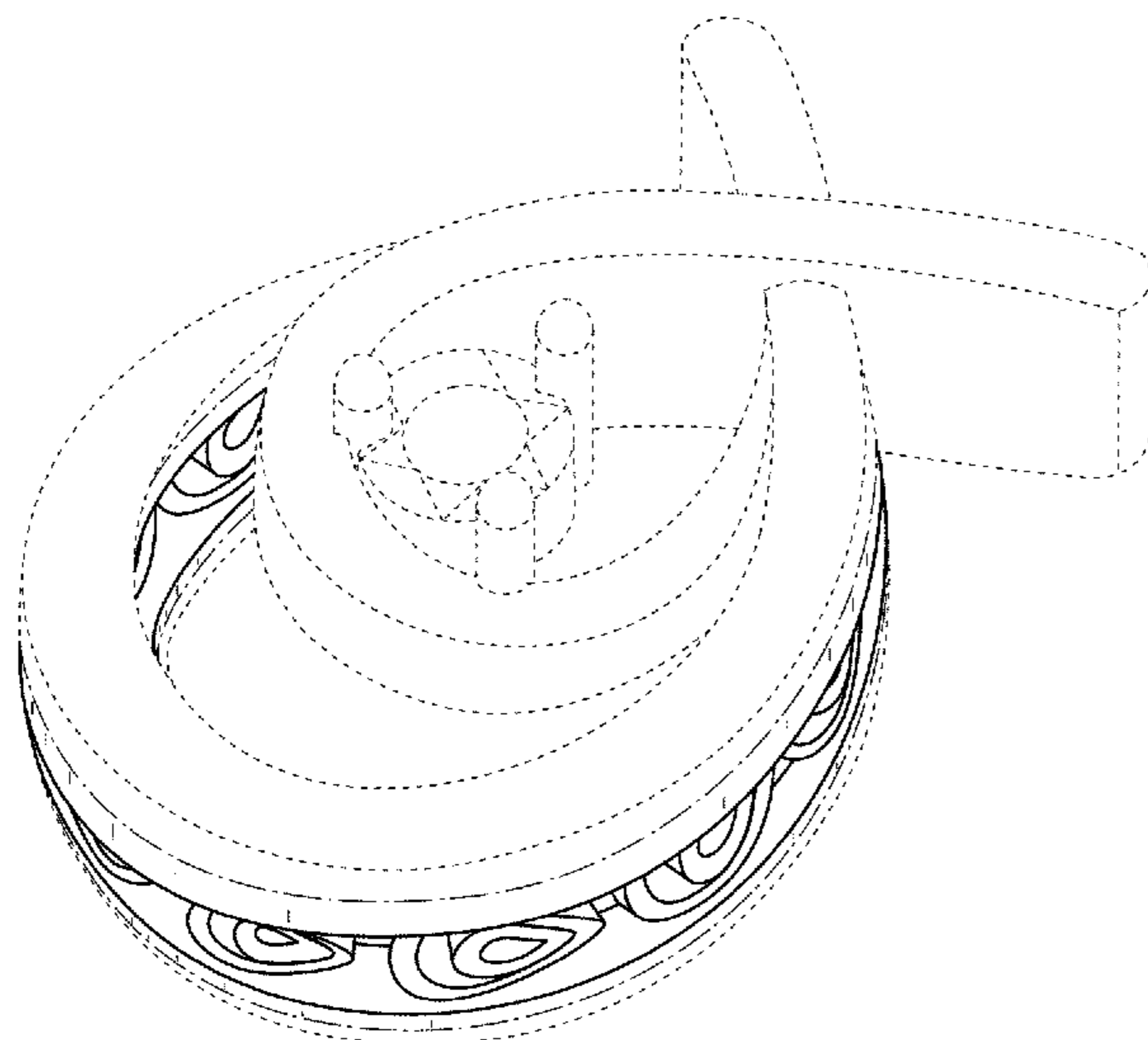
The ornamental design for a jewelry element, as shown and described.

DESCRIPTION

FIG. 1 is a top, front right side perspective view of a first embodiment of the jewelry element;
 FIG. 2 is a front elevational view;
 FIG. 3 is a right side elevational view thereof;
 FIG. 4 is a left side elevational view thereof;
 FIG. 5 is a top plan view thereof;
 FIG. 6 is a bottom plan view thereof;
 FIG. 7 is a top, front right side perspective view of a second embodiment of the jewelry element;
 FIG. 8 is a front elevational view;
 FIG. 9 is a right side elevational view thereof;
 FIG. 10 is a left side elevational view thereof;
 FIG. 11 is a top plan view thereof; and,
 FIG. 12 is a bottom plan view thereof.

The broken line portions are shown for environmental purposes and form no part of the claimed design.
 Because a portion of the article is not solid, the remote side of the article is normally visible through the fore side of the article in the side view but is not shown in the figures for ease of illustration.

1 Claim, 6 Drawing Sheets



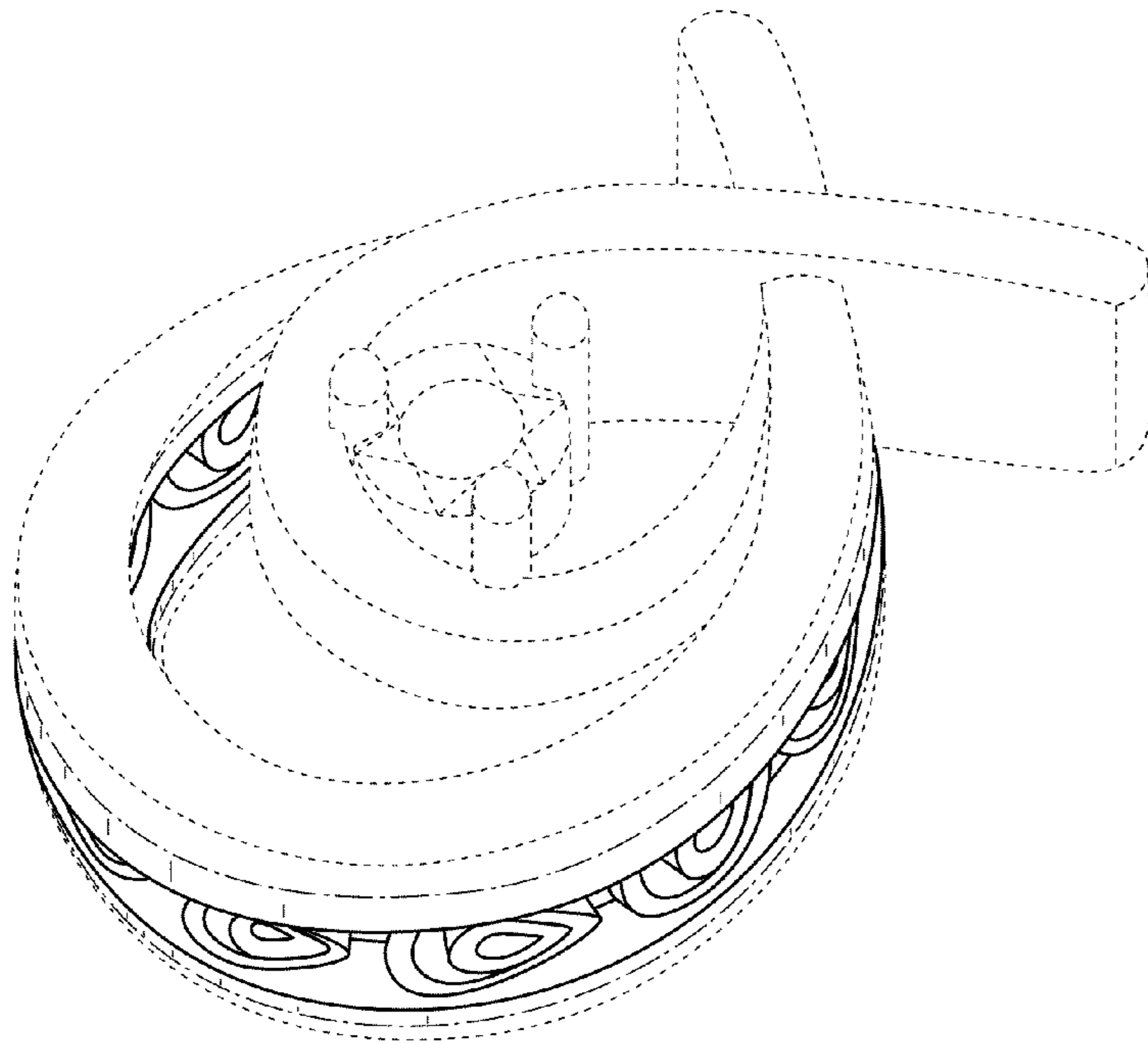


FIG. 1

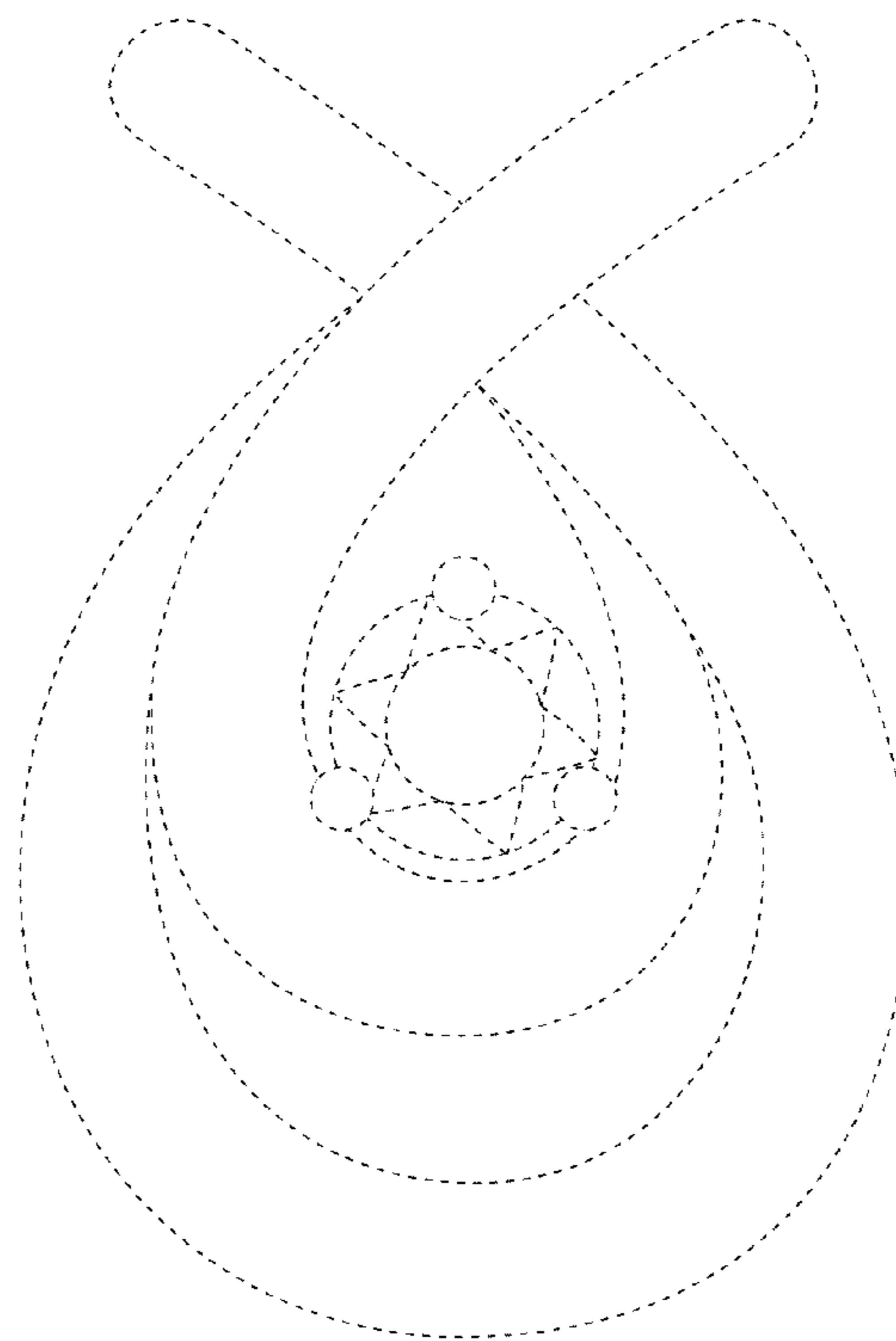


FIG. 2

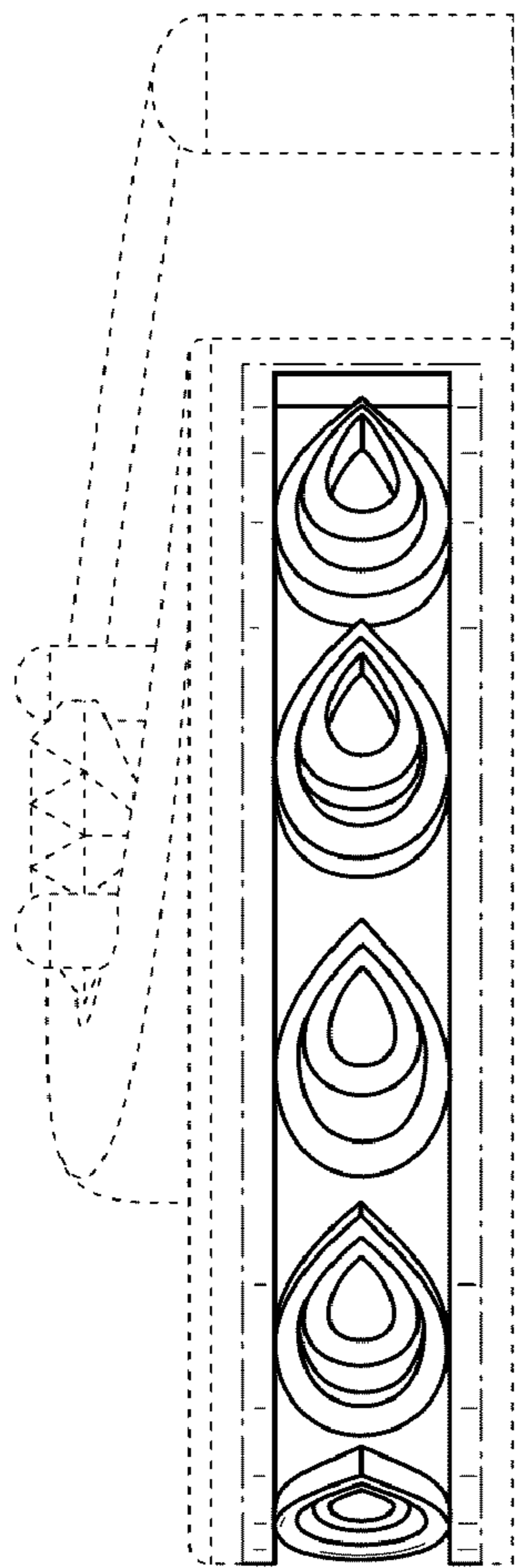


FIG. 3

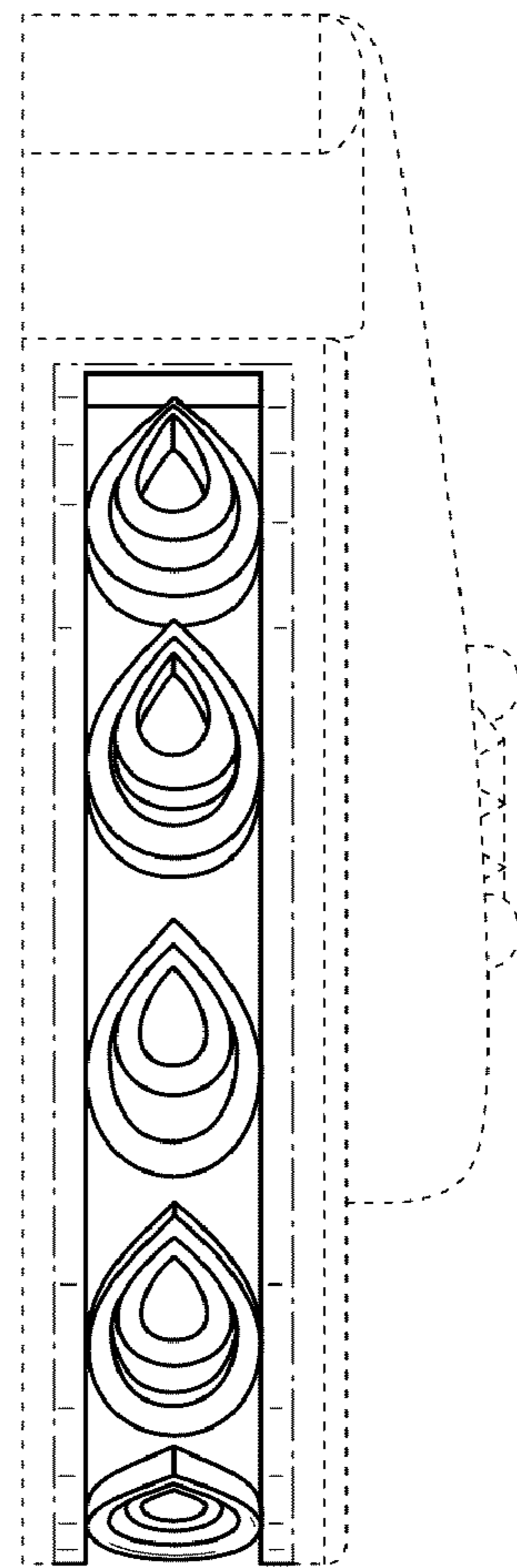


FIG. 4

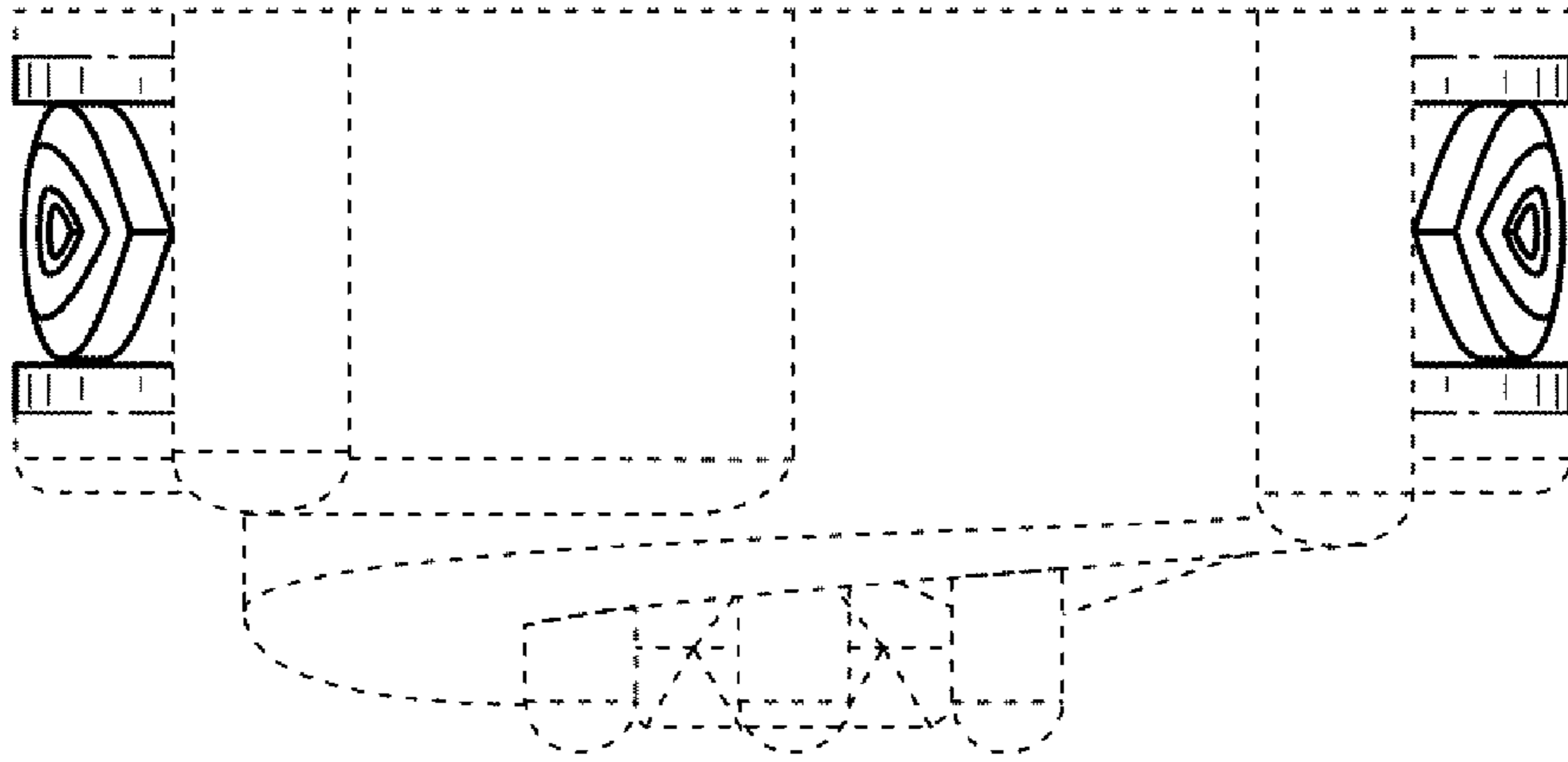


FIG. 5

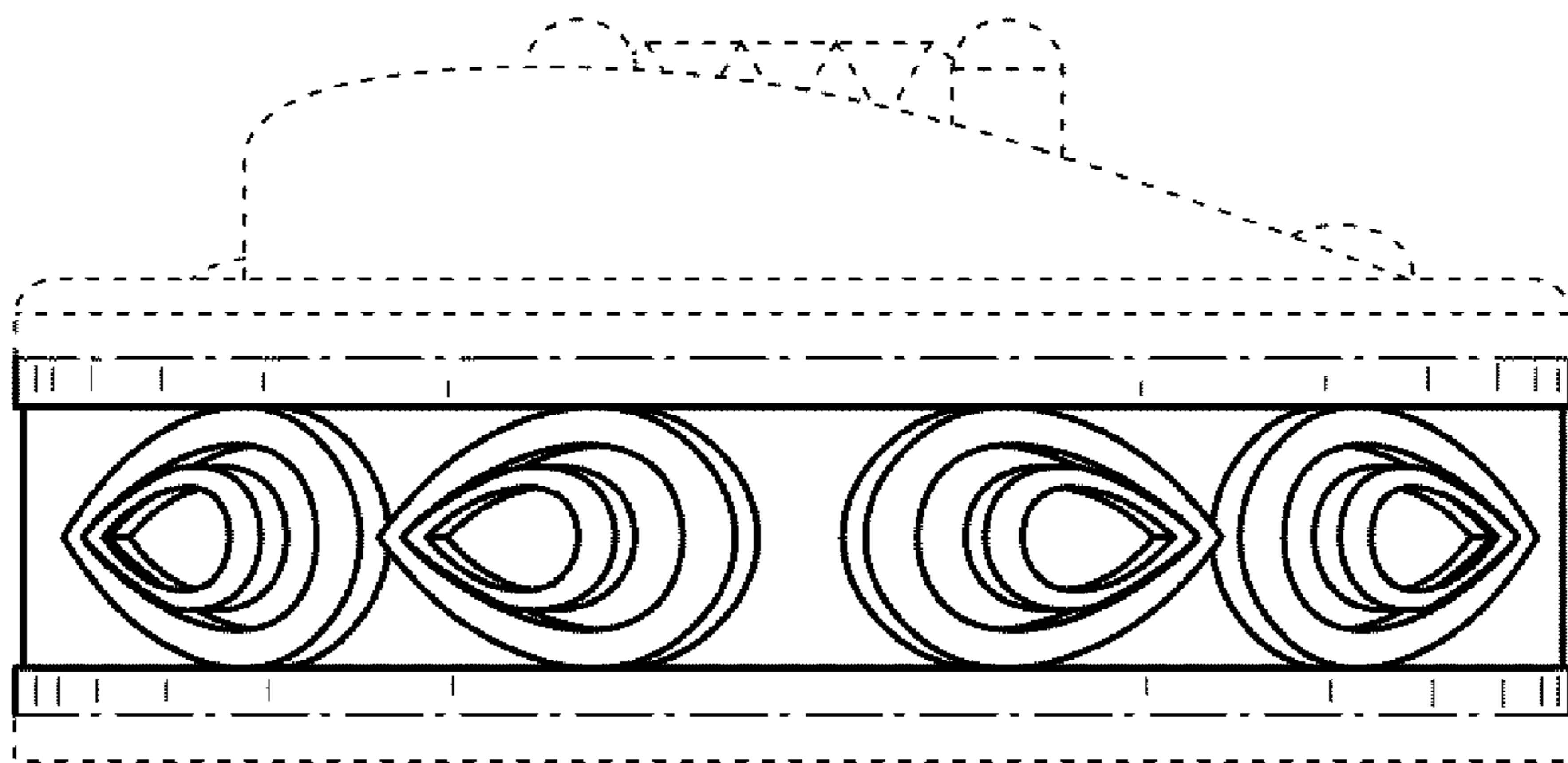


FIG. 6

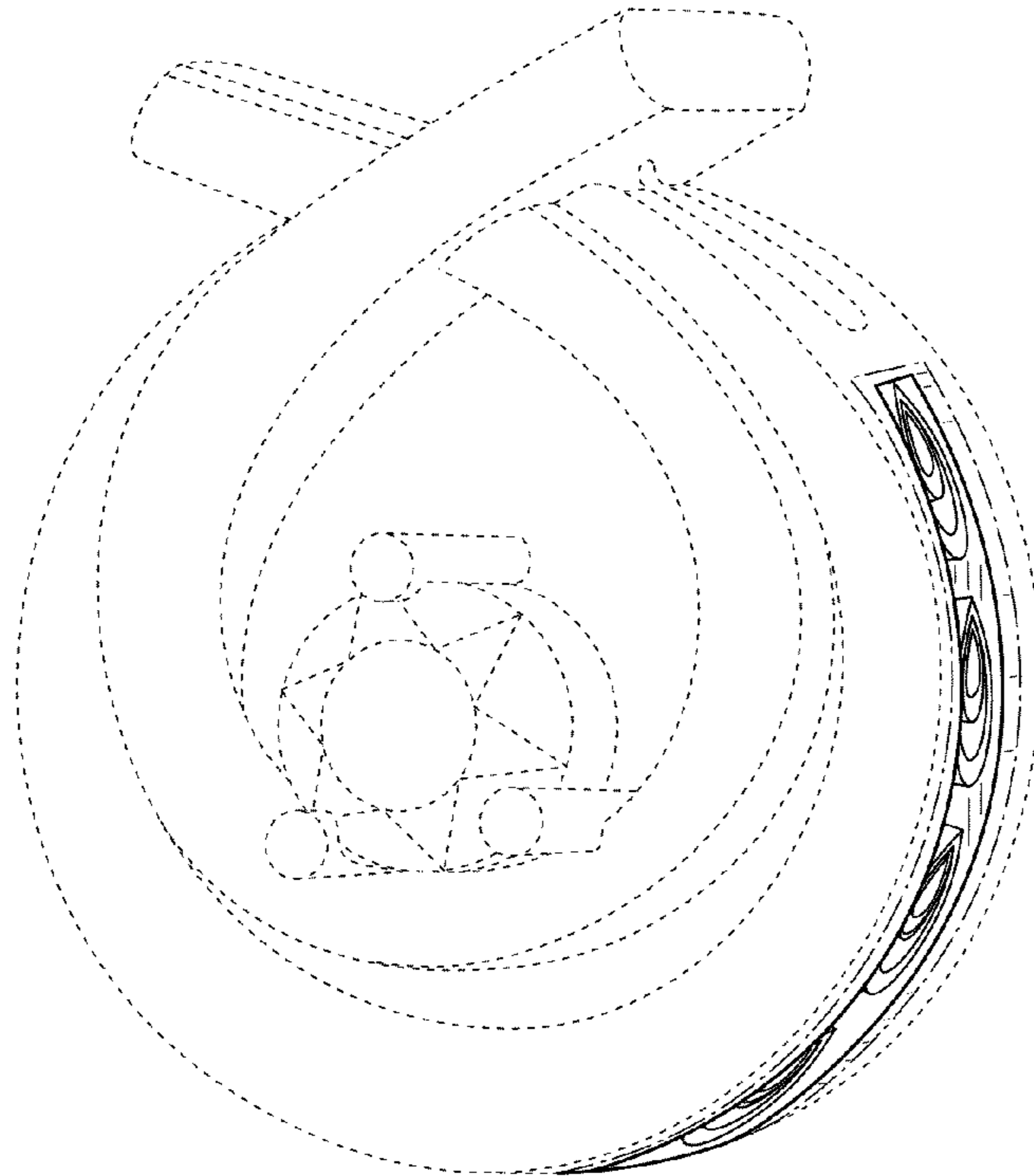


FIG. 7

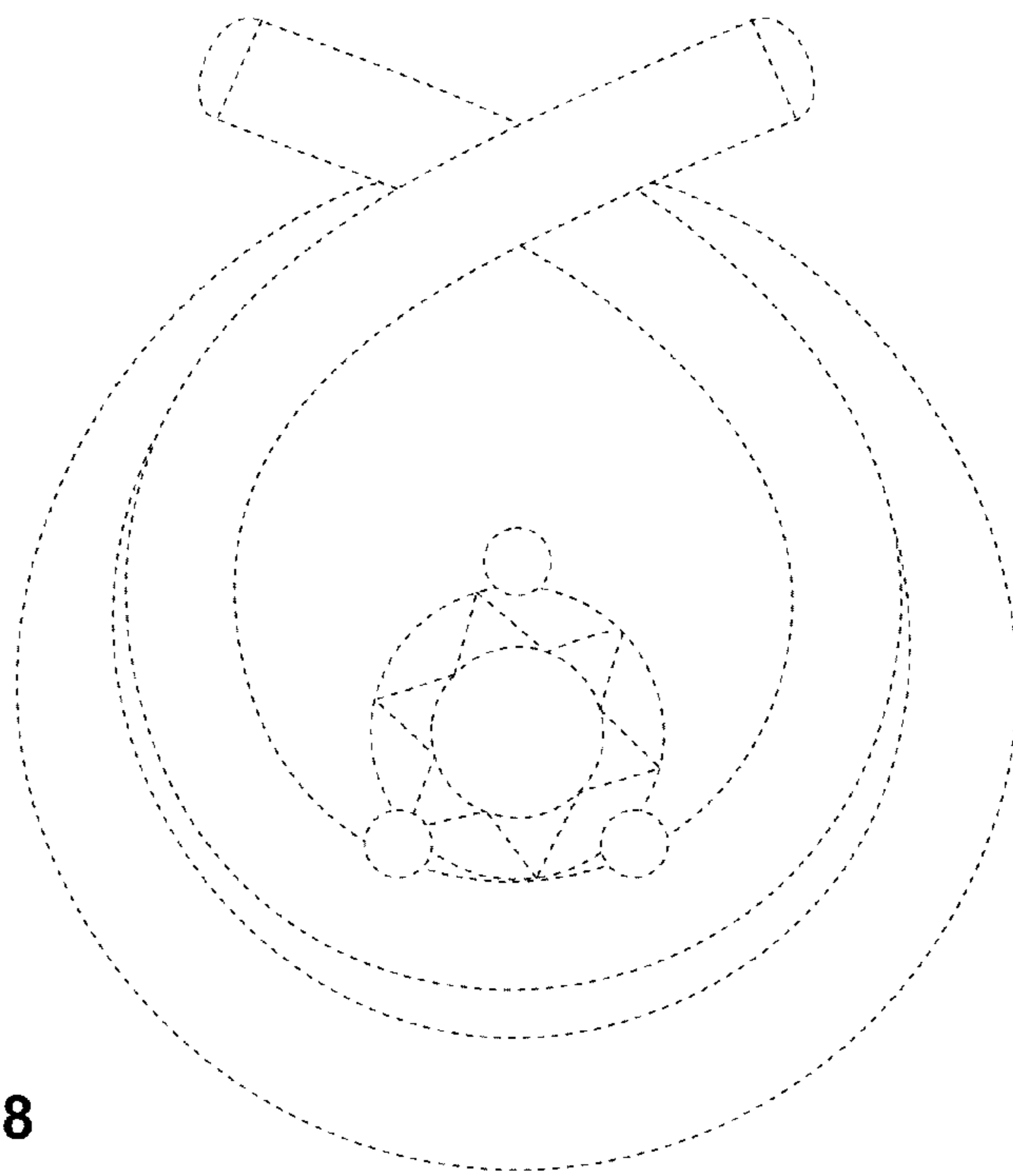


FIG. 8

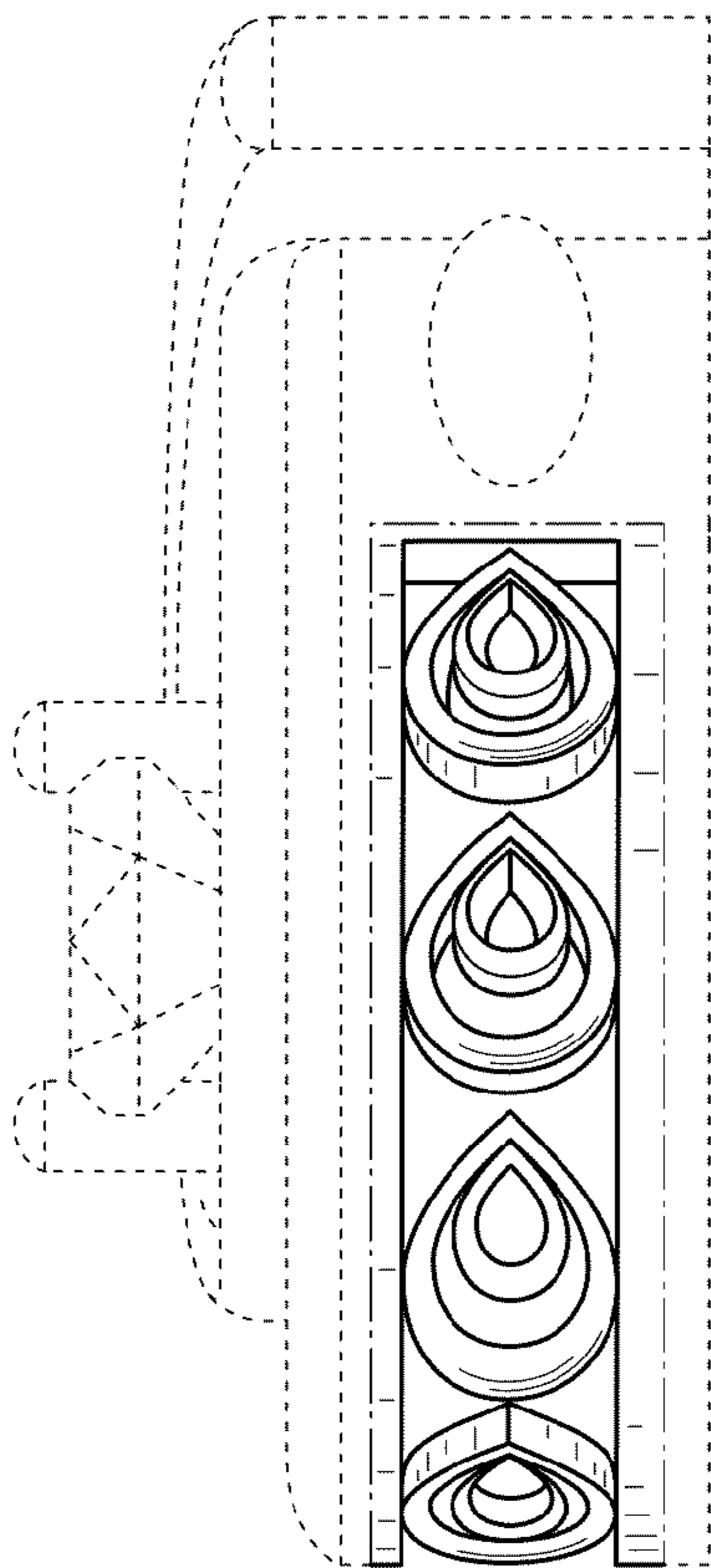


FIG. 9

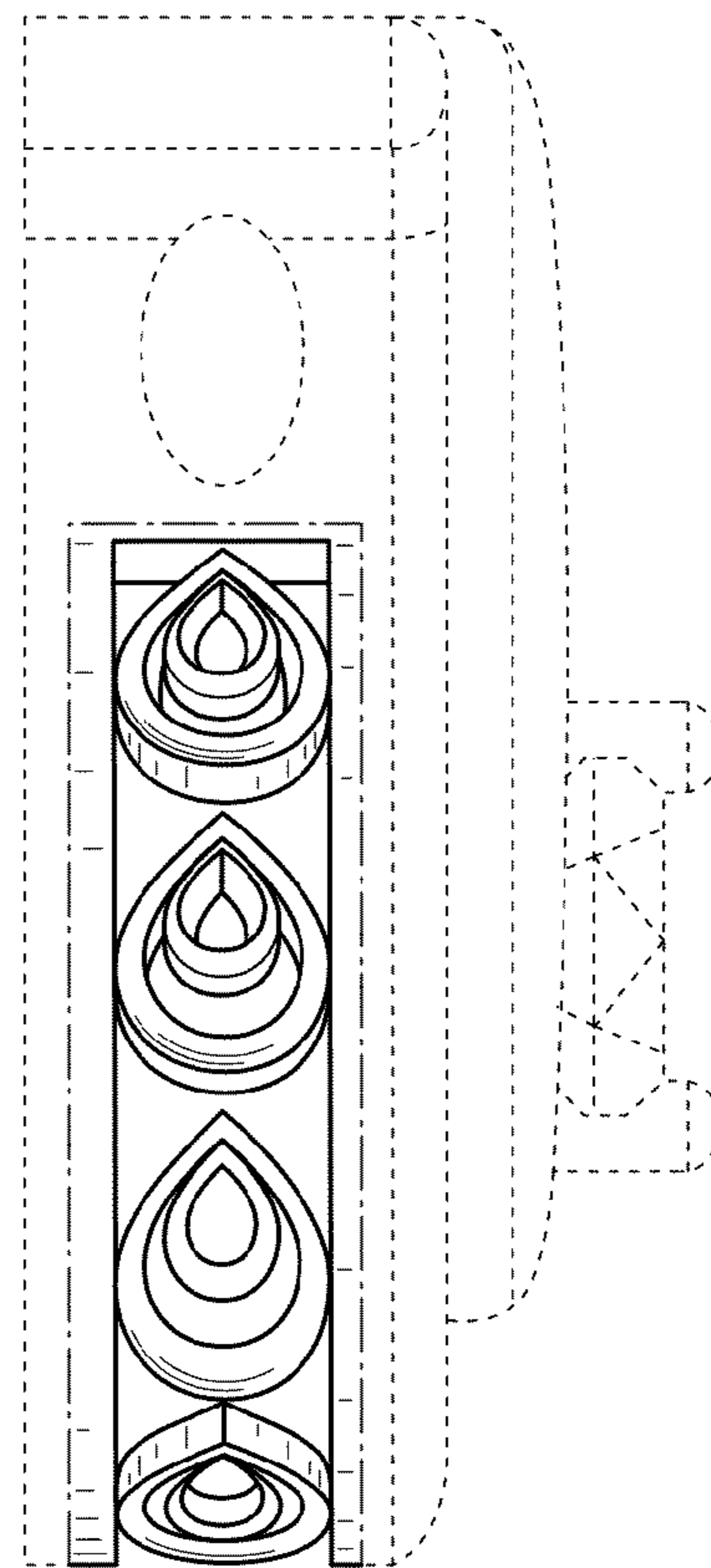


FIG. 10

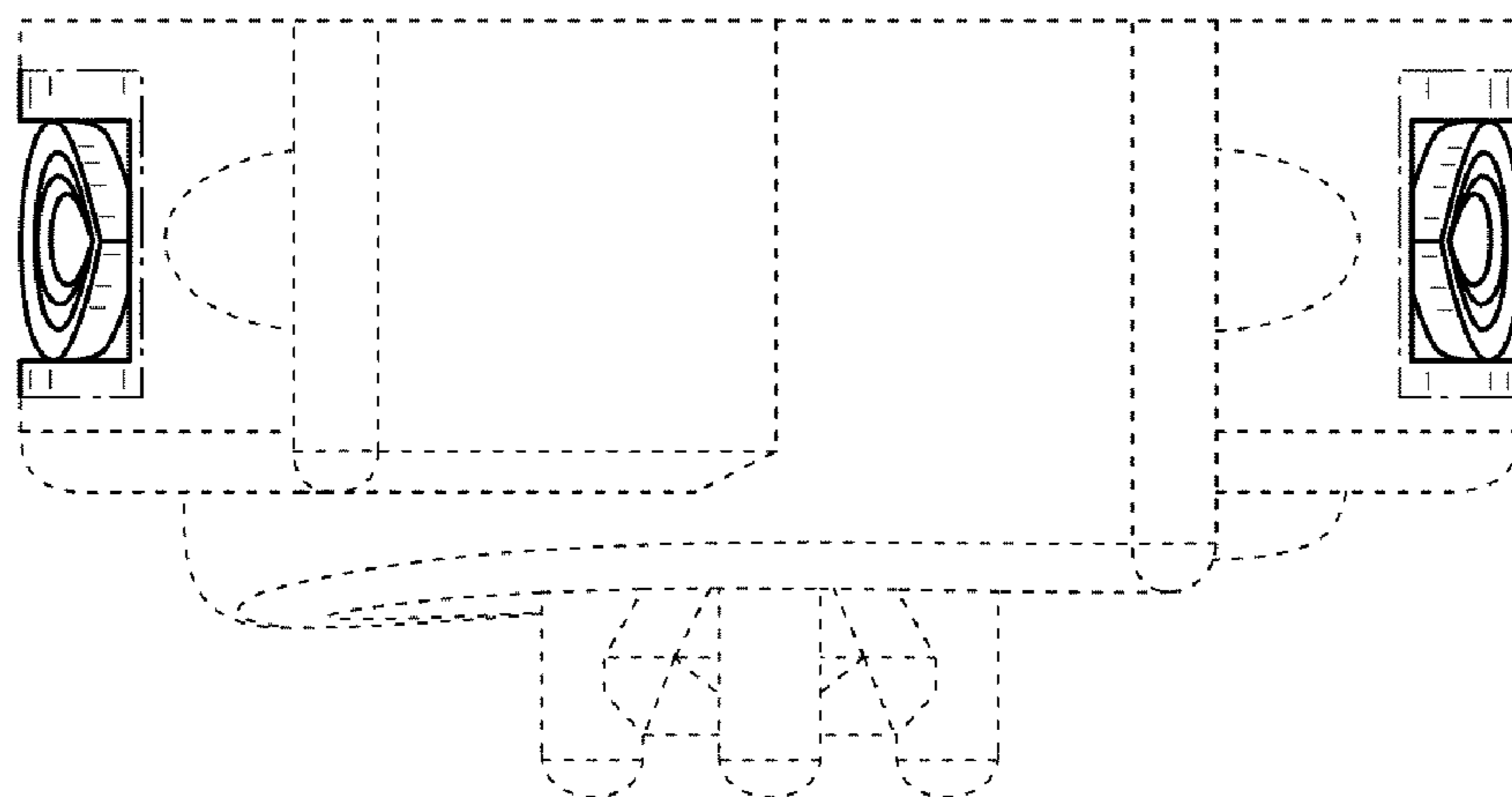


FIG. 11

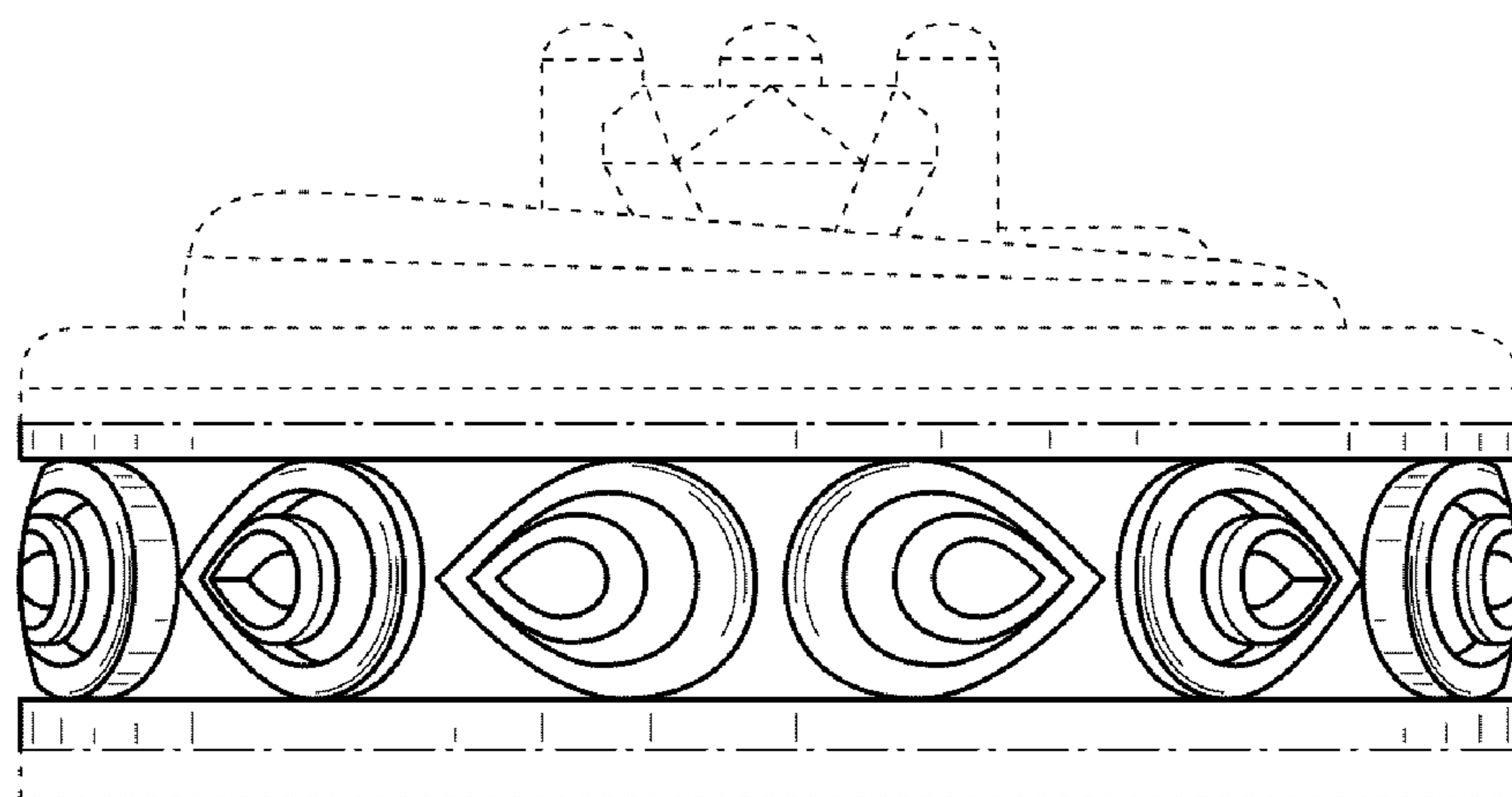


FIG. 12