



US00D649902S

(12) **United States Design Patent**
Cerce et al.

(10) **Patent No.:** **US D649,902 S**
(45) **Date of Patent:** **** Dec. 6, 2011**

(54) **MONEY CLIP**

(75) Inventors: **Gennaro F. Cerce**, Pawtucket, RI (US);
Keith Marques, Cumberland, RI (US)

(73) Assignee: **Cerce Capital, LLC**, Cranston, RI (US)

(**) Term: **14 Years**

(21) Appl. No.: **29/394,401**

(22) Filed: **Jun. 16, 2011**

(51) **LOC (9) Cl.** **02-01**

(52) **U.S. Cl.** **D11/78.1**

(58) **Field of Classification Search** D11/1-2,
D11/200-201, 206-210, 214-218, 78.1, 213;
24/163 R, 169-171, 173, 177-179, 191, 194-195,
24/197, 200, 614-616, 625, 64.5, 64 R, 562,
24/DIG. 5, 102 P; 240/169-171; D3/318;
280/808

See application file for complete search history.

(56) **References Cited**

U.S. PATENT DOCUMENTS

1,059,790 A * 4/1913 Volmer 24/562
D304,165 S * 10/1989 Mosley D11/202
D328,668 S * 8/1992 Legrand D2/978

6,327,749 B1 * 12/2001 Antinone 24/67 R
D479,146 S * 9/2003 Manley D11/78.1
D485,780 S * 1/2004 Thomson D11/78.1
6,745,805 B2 * 6/2004 Thomson 150/137
7,120,969 B2 * 10/2006 Carls 24/67.3
D576,912 S * 9/2008 Yuengling D11/78.1

* cited by examiner

Primary Examiner — Ralf Seifert

(74) *Attorney, Agent, or Firm* — Salter & Michaelson

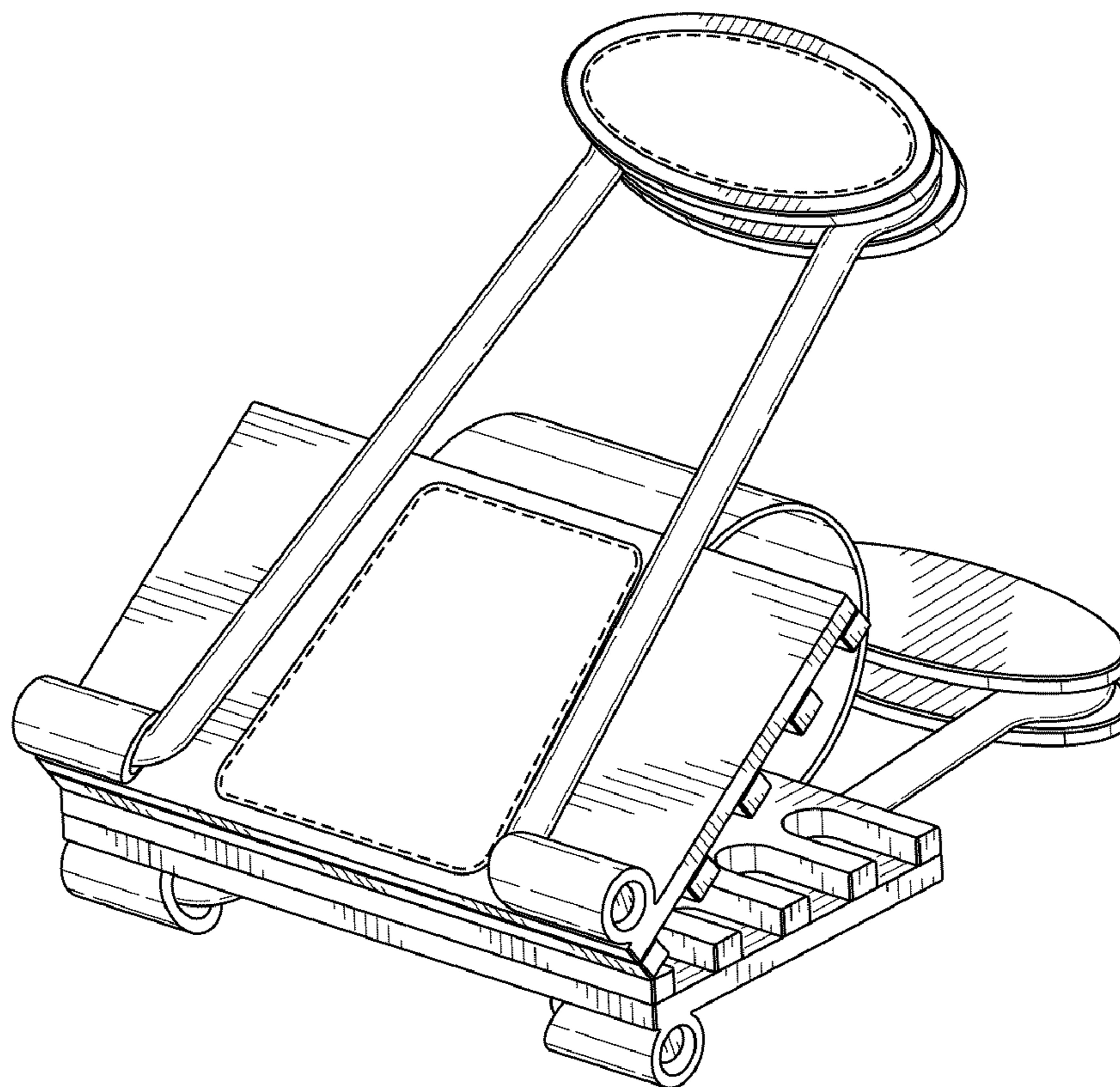
(57) **CLAIM**

The ornamental design for a money clip, as shown and described.

DESCRIPTION

FIG. 1 is a perspective view of the money clip showing my new design;
FIG. 2 is a front elevational view thereof;
FIG. 3 is a rear elevational view thereof;
FIG. 4 is a right side elevational view thereof;
FIG. 5 is a left side elevational view thereof;
FIG. 6 is a top plan view thereof; and,
FIG. 7 is a bottom plan view thereof.
The portions shown in broken lines are included for illustrative purposes only and form no part of the claimed design.

1 Claim, 7 Drawing Sheets



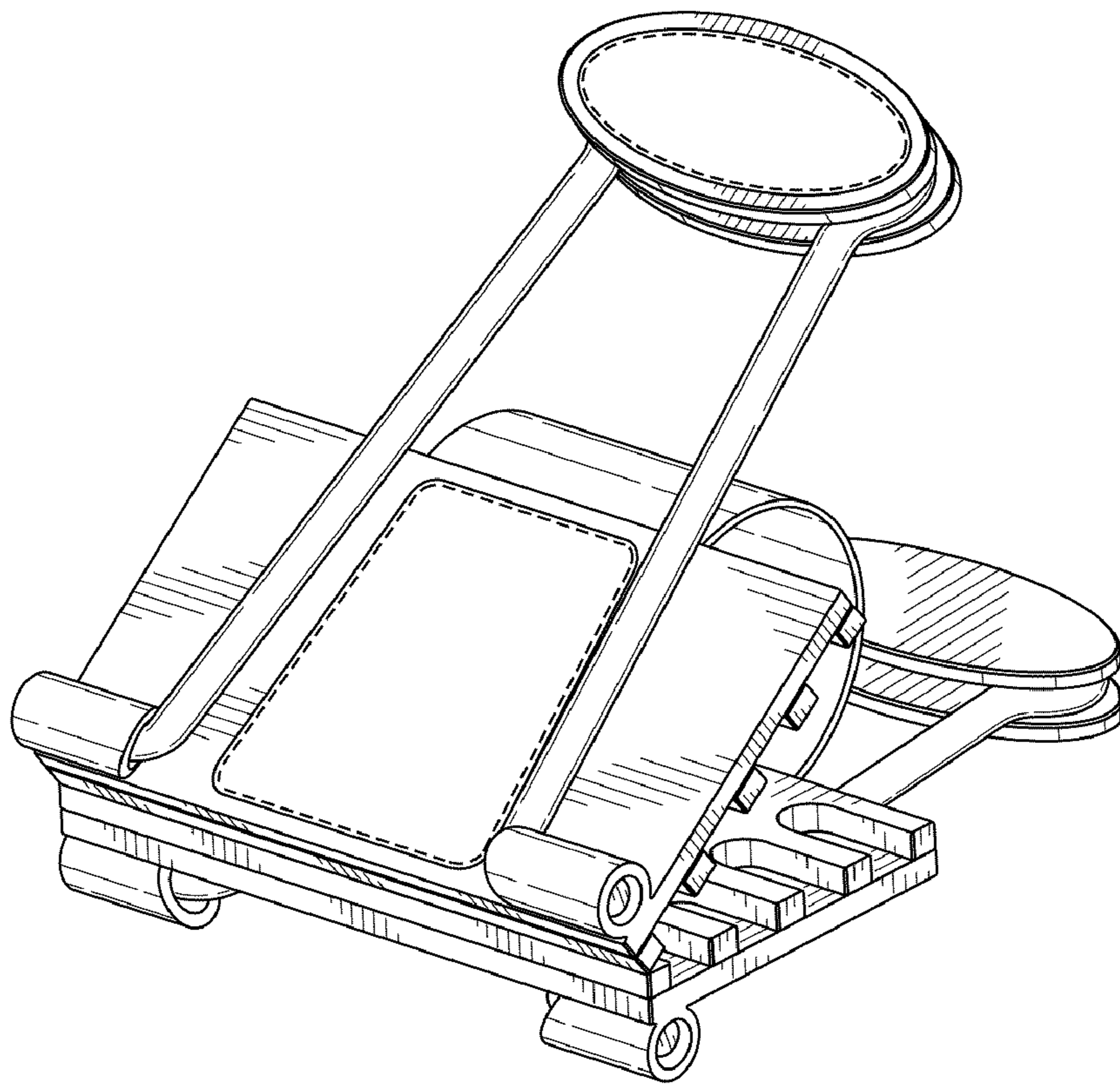


FIG. 1

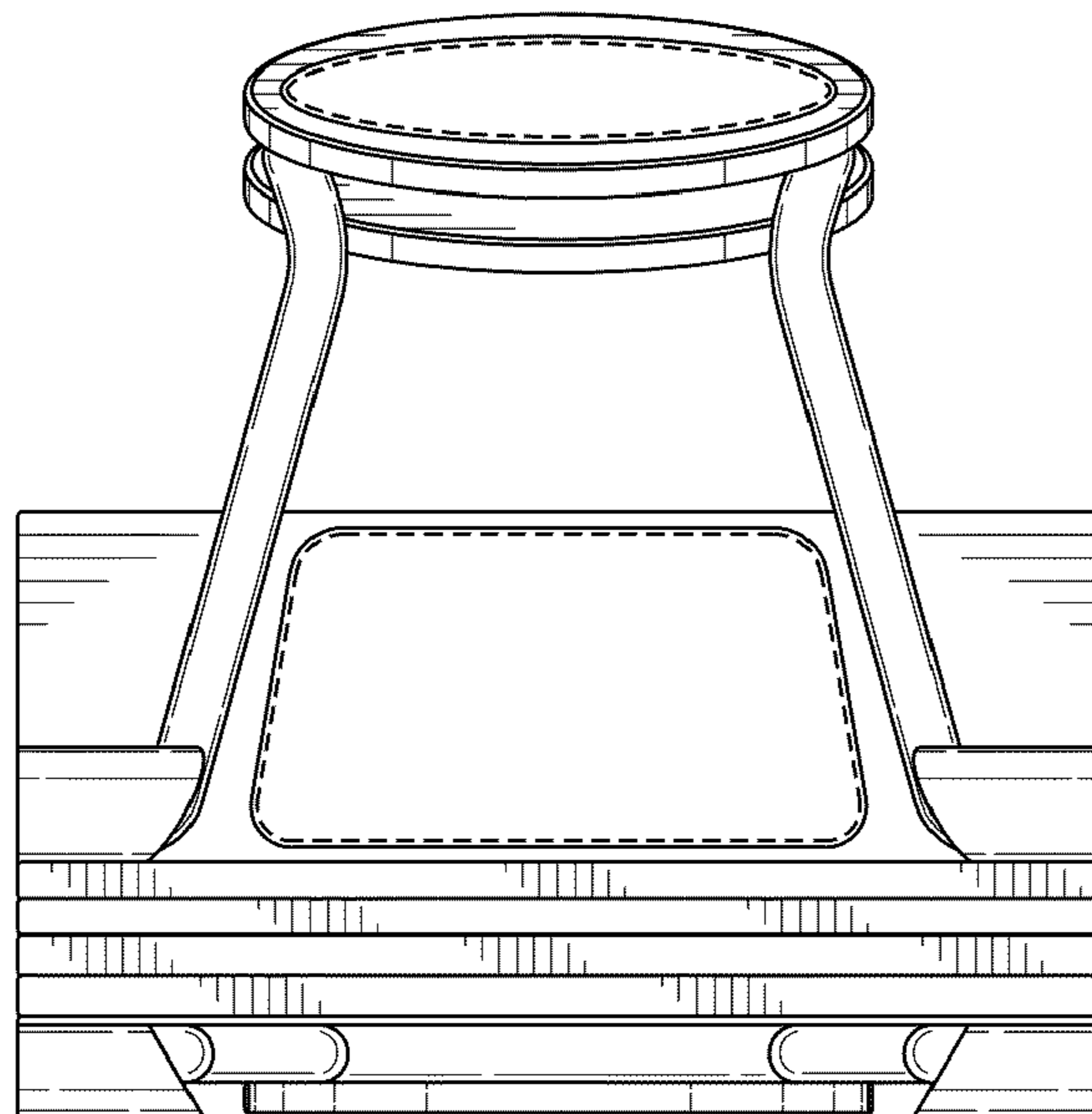


FIG. 2

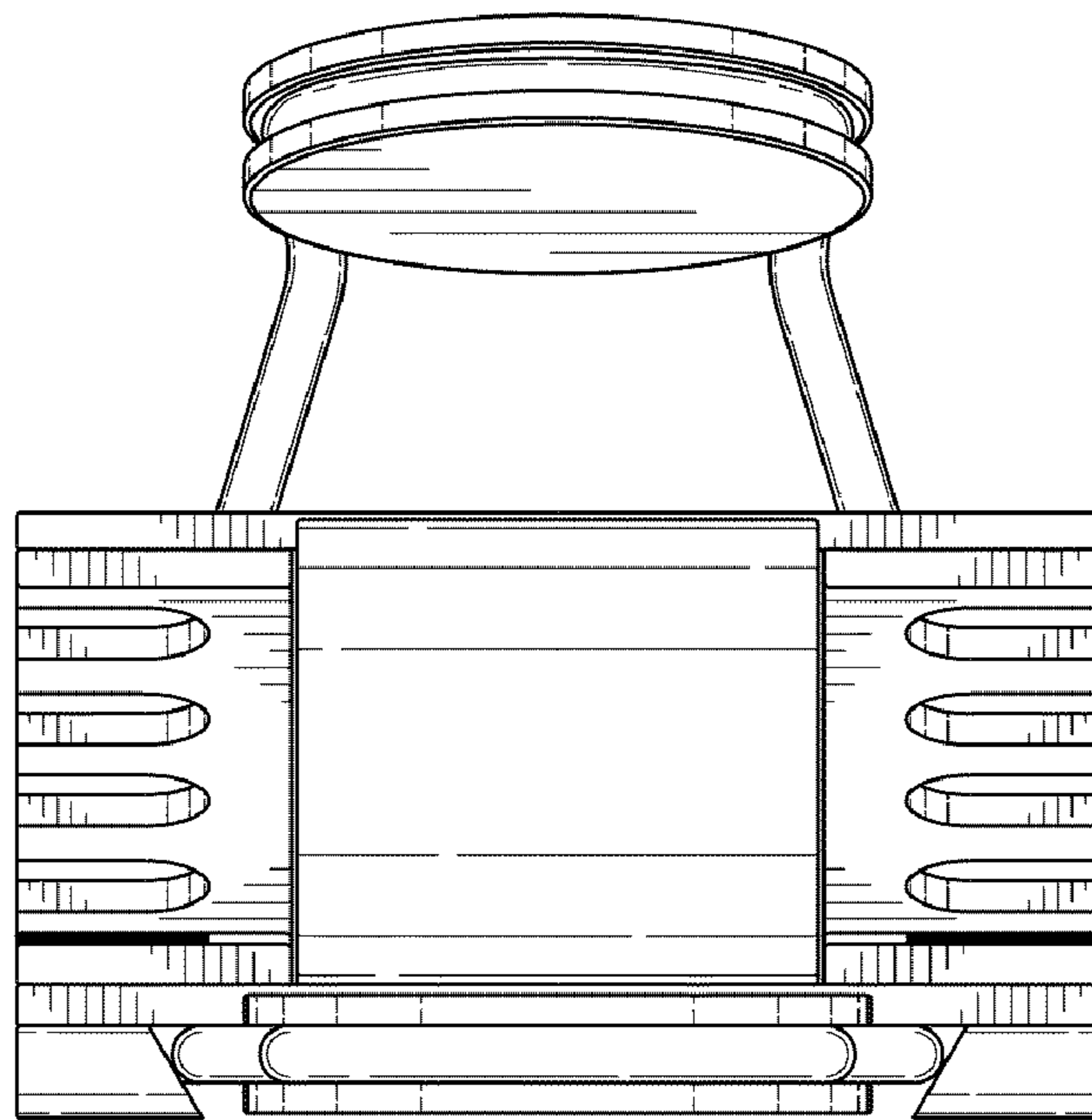


FIG. 3

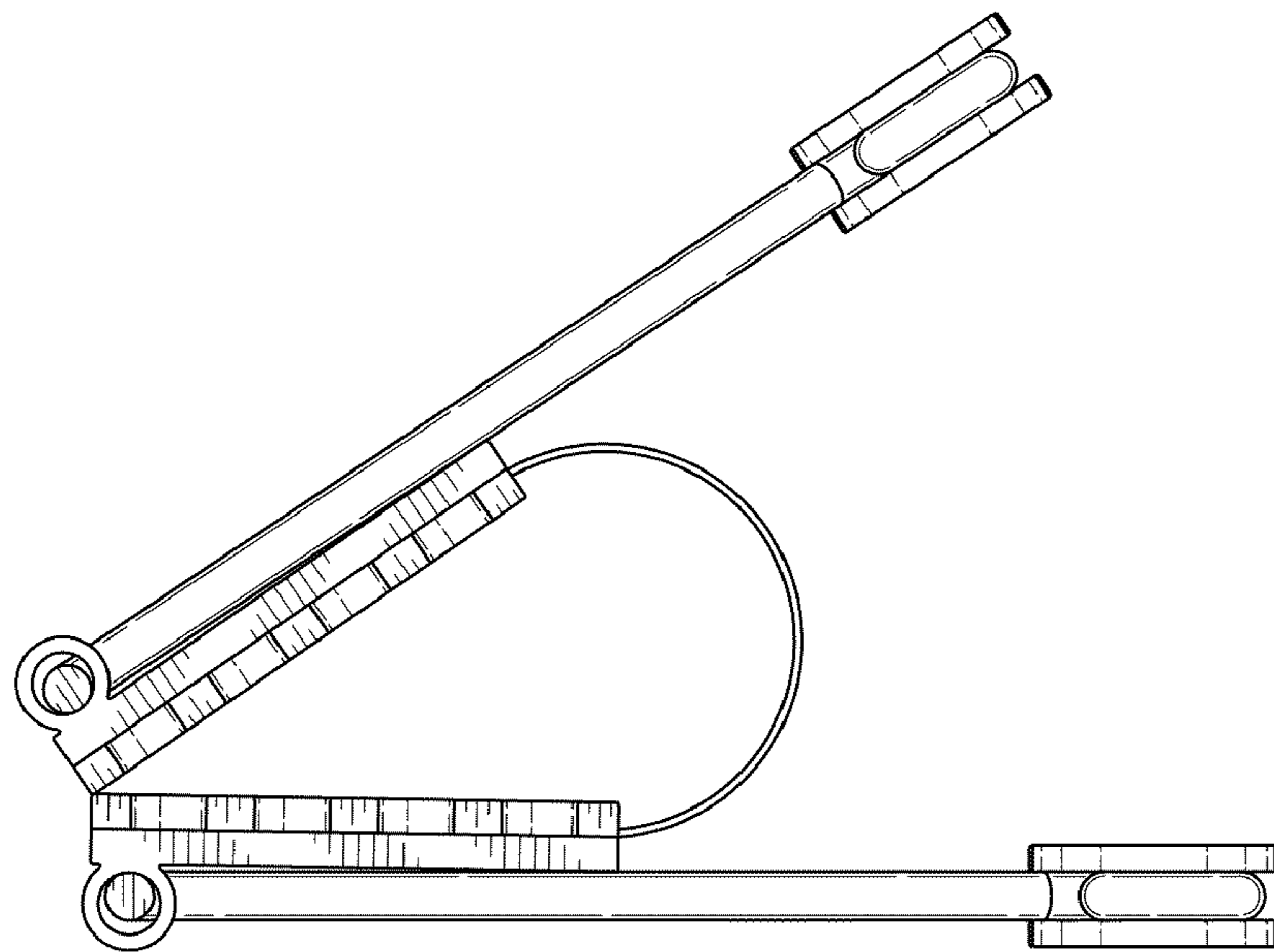


FIG. 4

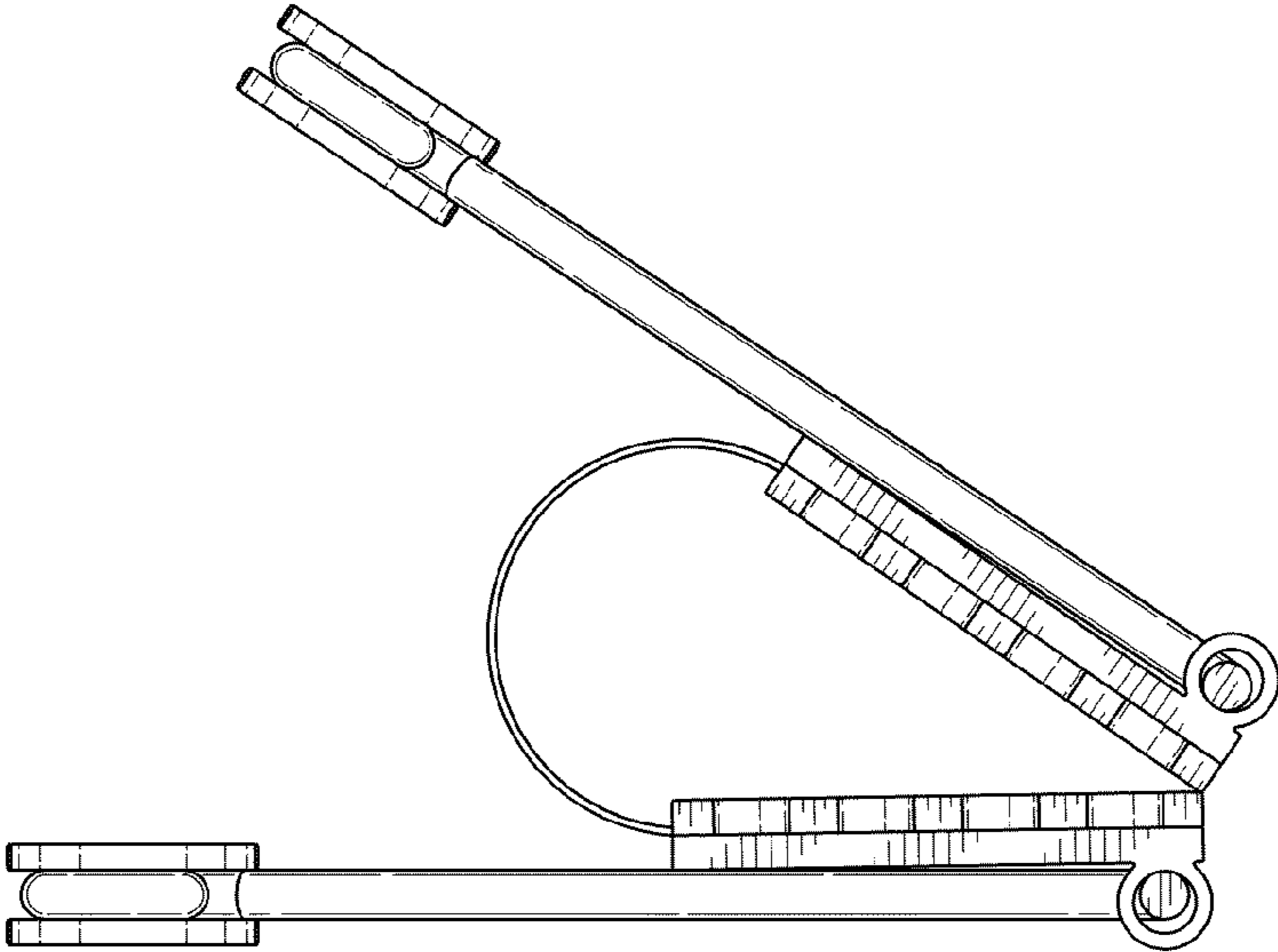


FIG. 5

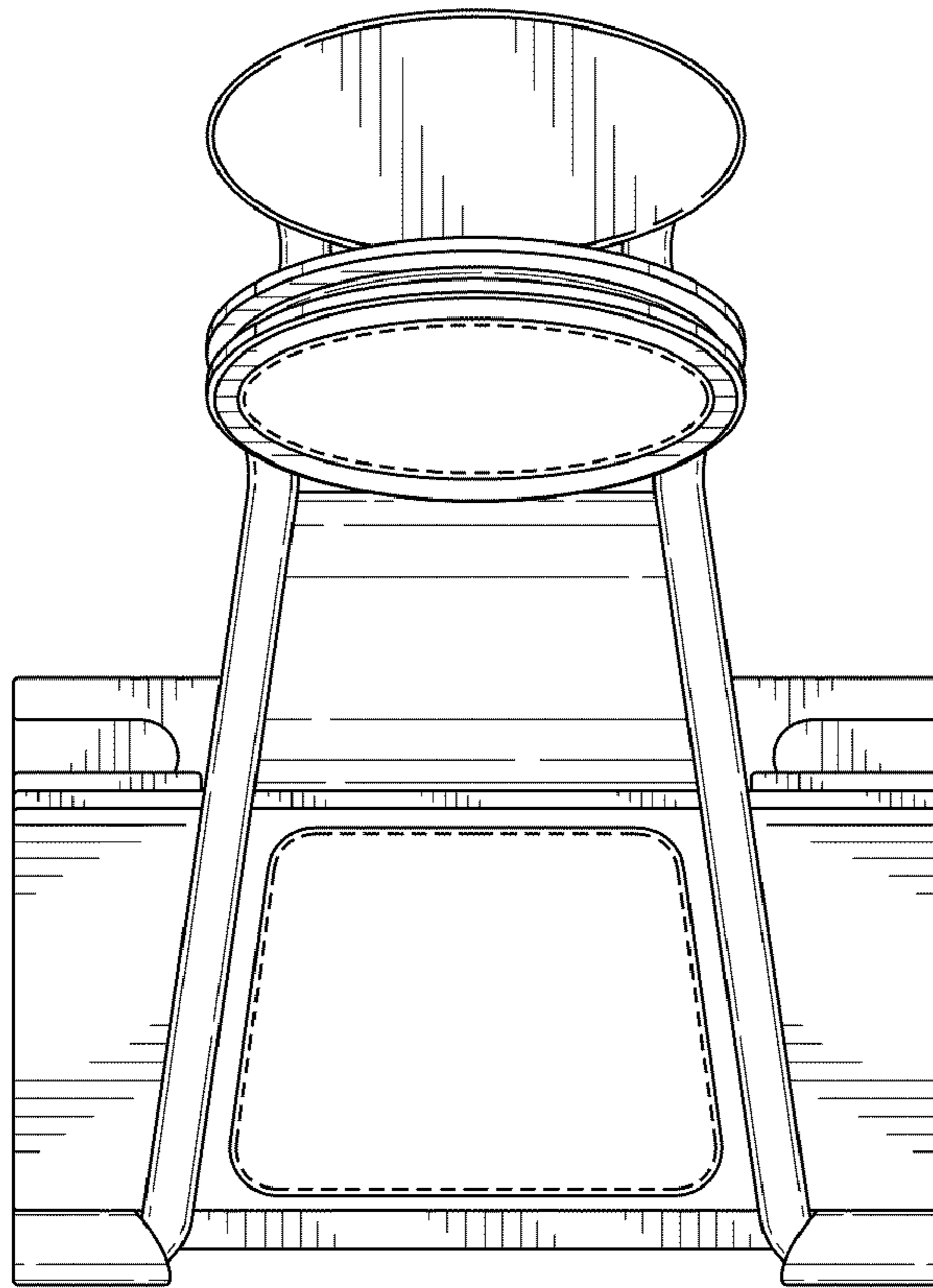


FIG. 6

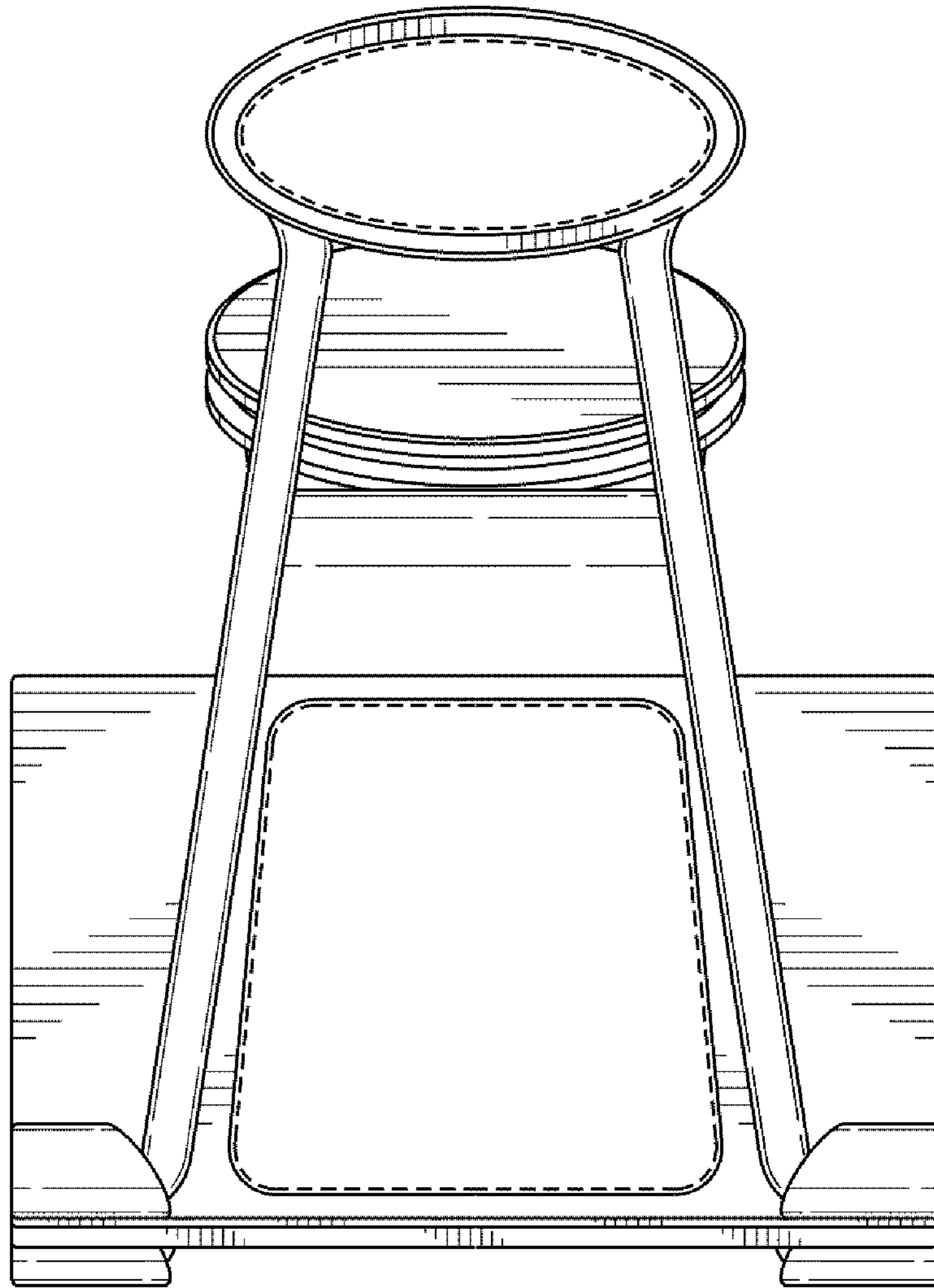


FIG. 7