



US00D649900S

(12) **United States Design Patent**  
**Landsman et al.**

(10) **Patent No.:** **US D649,900 S**

(45) **Date of Patent:** **\*\* Dec. 6, 2011**

(54) **IDENTIFICATION INSERT FOR RECIPIENT IDENTIFICATION WRIST BAND**

(75) Inventors: **Kelly M. Landsman**, Chicago, IL (US);  
**Luke A. Westra**, Chicago, IL (US);  
**Jessica M. Holmes**, Chicago, IL (US)

(73) Assignee: **Typenex Medical, LLC**, Chicago, IL (US)

(\*\*) Term: **14 Years**

(21) Appl. No.: **29/369,352**

(22) Filed: **Sep. 7, 2010**

**Related U.S. Application Data**

(63) Continuation of application No. 12/853,292, filed on Aug. 10, 2010.

(51) **LOC (9) Cl.** ..... **11-01**

(52) **U.S. Cl.** ..... **D11/1; D20/22**

(58) **Field of Classification Search** ..... D11/1-26;  
63/1.11, 3.1, 3.2, 5.1, 5.2, 7-11; 40/633,  
40/299.01, 649; D20/22, 27, 10, 40, 43;  
D19/10; D9/415

See application file for complete search history.

(56) **References Cited**

**U.S. PATENT DOCUMENTS**

1,226,897	A *	5/1917	Laussedat	.....	215/391
2,871,592	A	2/1959	Polzin		
2,893,143	A	7/1959	Mosher, Jr. et al.		
2,911,743	A	11/1959	Pokras		
3,020,657	A	2/1962	Clark		
3,197,899	A	8/1965	Twentier		
3,279,107	A	10/1966	Baumgartner		
3,751,835	A	8/1973	Smith		
3,965,589	A	6/1976	McDermott		
D241,519	S *	9/1976	Mathews	.....	D8/396
4,110,502	A	8/1978	Baer		
4,199,882	A	4/1980	Clayman		
D255,668	S *	7/1980	Sidders et al.	.....	D11/4

4,226,036	A	10/1980	Krug		
D257,562	S *	11/1980	Smith	.....	D20/27
D261,905	S *	11/1981	Smith	.....	D20/27
4,311,740	A *	1/1982	Kay	.....	428/43
4,318,234	A	3/1982	Charles et al.		
4,612,718	A	9/1986	Golub et al.		
4,906,025	A	3/1990	Schreindl		

(Continued)

**FOREIGN PATENT DOCUMENTS**

CA 1 272 021 7/1990

(Continued)

**OTHER PUBLICATIONS**

Zebra brochure entitled "Zebra® Z-Band® Direct Thermal Wristbands"; 2 pgs.; © 2007.

(Continued)

*Primary Examiner* — Cathron Brooks

*Assistant Examiner* — Melanie Levy

(74) *Attorney, Agent, or Firm* — Dicke, Billig & Czaja PLLC

(57) **CLAIM**

We claim the ornamental design for a identification insert for recipient identification wrist band, as shown and described herein.

**DESCRIPTION**

FIG. 1 is an isometric view of an identification insert for recipient identification wrist band in accordance with the present disclosure;

FIG. 2 is a top plan view thereof;

FIG. 3 is a bottom plan view thereof;

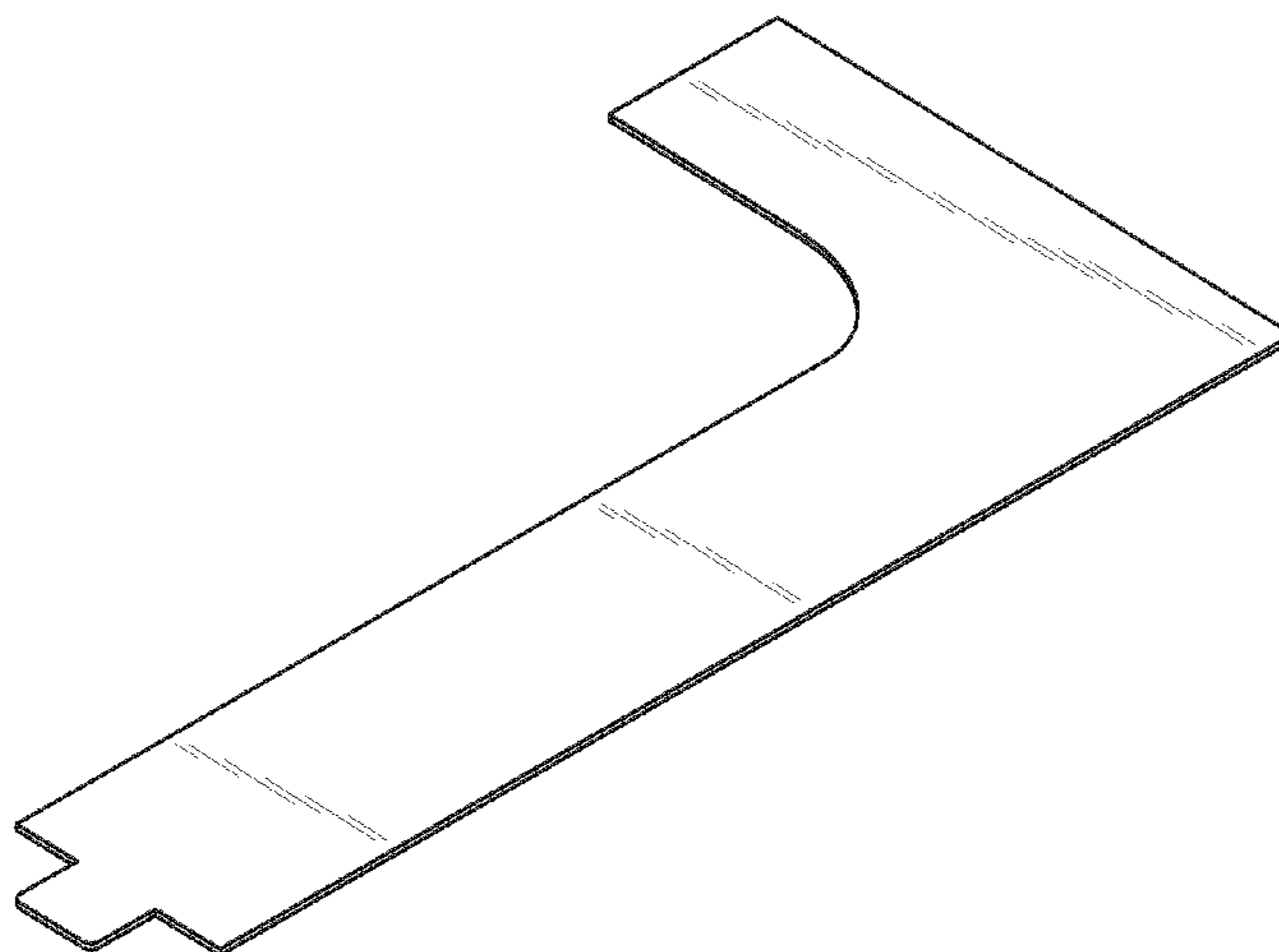
FIG. 4 is a right side elevational view thereof;

FIG. 5 is a left side elevational view thereof;

FIG. 6 is a rear elevational view thereof; and,

FIG. 7 is a front elevational view thereof.

**1 Claim, 2 Drawing Sheets**



# US D649,900 S

Page 2

## U.S. PATENT DOCUMENTS

4,914,843	A	4/1990	DeWoskin	
4,951,970	A	8/1990	Burt	
5,083,979	A	1/1992	Burt	
5,129,682	A	7/1992	Ashby	
5,242,053	A	9/1993	Rowe	
D349,864	S *	8/1994	Dunlap et al.	D11/3
5,457,906	A	10/1995	Mosher, Jr.	
5,509,694	A	4/1996	Laurash et al.	
5,581,924	A	12/1996	Peterson	
5,653,472	A	8/1997	Huddleston et al.	
5,933,993	A	8/1999	Riley	
D414,130	S *	9/1999	Rutler	D11/5
5,979,941	A	11/1999	Mosher, Jr. et al.	
D428,353	S *	7/2000	Duncan	D11/5
6,361,010	B1	3/2002	Grosskopf et al.	
6,474,694	B1	11/2002	Emmert et al.	
6,546,656	B2	4/2003	Twentier	
6,595,550	B1 *	7/2003	Meazzi	283/79
6,641,048	B1	11/2003	Schintz et al.	
6,655,063	B2	12/2003	Goodin et al.	
6,766,039	B1	7/2004	Al-Sheikh	
D496,405	S	9/2004	Stewart et al.	
D500,342	S	12/2004	Stewart et al.	
D500,524	S	1/2005	Stewart et al.	
D503,197	S	3/2005	Stewart et al.	
6,971,200	B2	12/2005	Valenti, Jr.	
7,000,951	B2	2/2006	Valenti, Jr.	
D524,184	S *	7/2006	Watanabe	D11/5
7,137,216	B2	11/2006	Ali et al.	
7,240,446	B2	7/2007	Bekker	

7,454,855	B2	11/2008	Kotik et al.	
7,481,370	B2	1/2009	Davis et al.	
7,534,477	B1	5/2009	Waggoner et al.	
D604,192	S *	11/2009	Temples et al.	D11/3
D608,389	S	1/2010	Bishop et al.	
D627,827	S *	11/2010	Rogers	D20/27
D629,530	S *	12/2010	Coyne et al.	D24/231
D630,126	S *	1/2011	Kim	D11/200
2004/0060216	A1	4/2004	Riley	
2004/0261644	A1	12/2004	Stewart et al.	
2005/0108912	A1	5/2005	Bekker	
2005/0184508	A1	8/2005	Verden et al.	
2006/0113788	A1	6/2006	Riley	
2006/0236578	A1	10/2006	Saint et al.	
2006/0254105	A1	11/2006	Chang	
2007/0120358	A1	5/2007	Waggoner et al.	
2008/0067802	A1	3/2008	Bell et al.	
2008/0301990	A1	12/2008	McDermott	
2008/0307685	A1	12/2008	Ali et al.	
2009/0094872	A1	4/2009	Ali et al.	
2009/0193701	A1	8/2009	Greer	

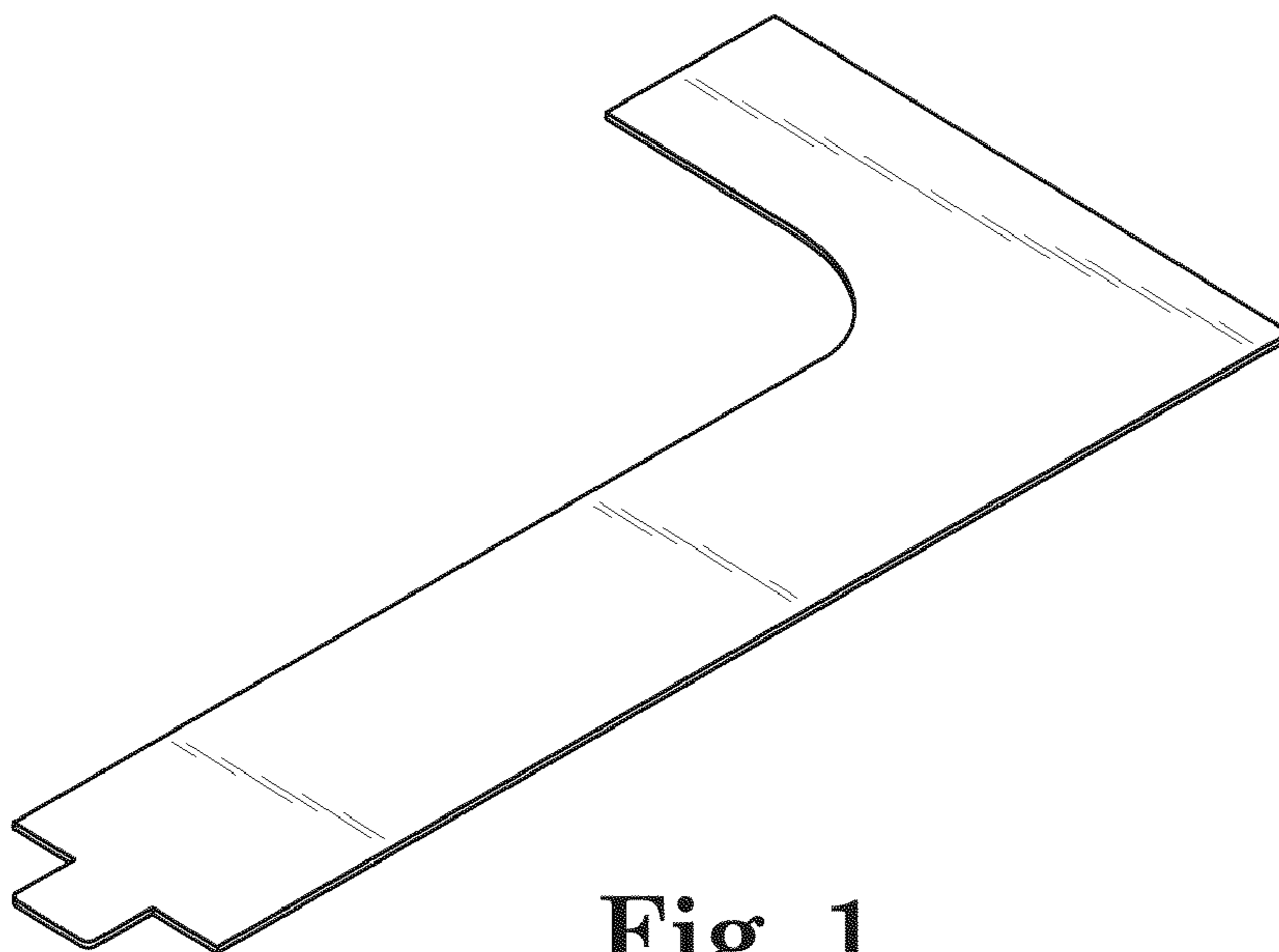
## FOREIGN PATENT DOCUMENTS

GB	1 538 105	9/1976
GB	2 067 506 A	7/1980
GB	2 160 492 A	12/1985

## OTHER PUBLICATIONS

Zebra brochure entitled "Soft Infant Wristbands"; 1 pg.; © 2009.

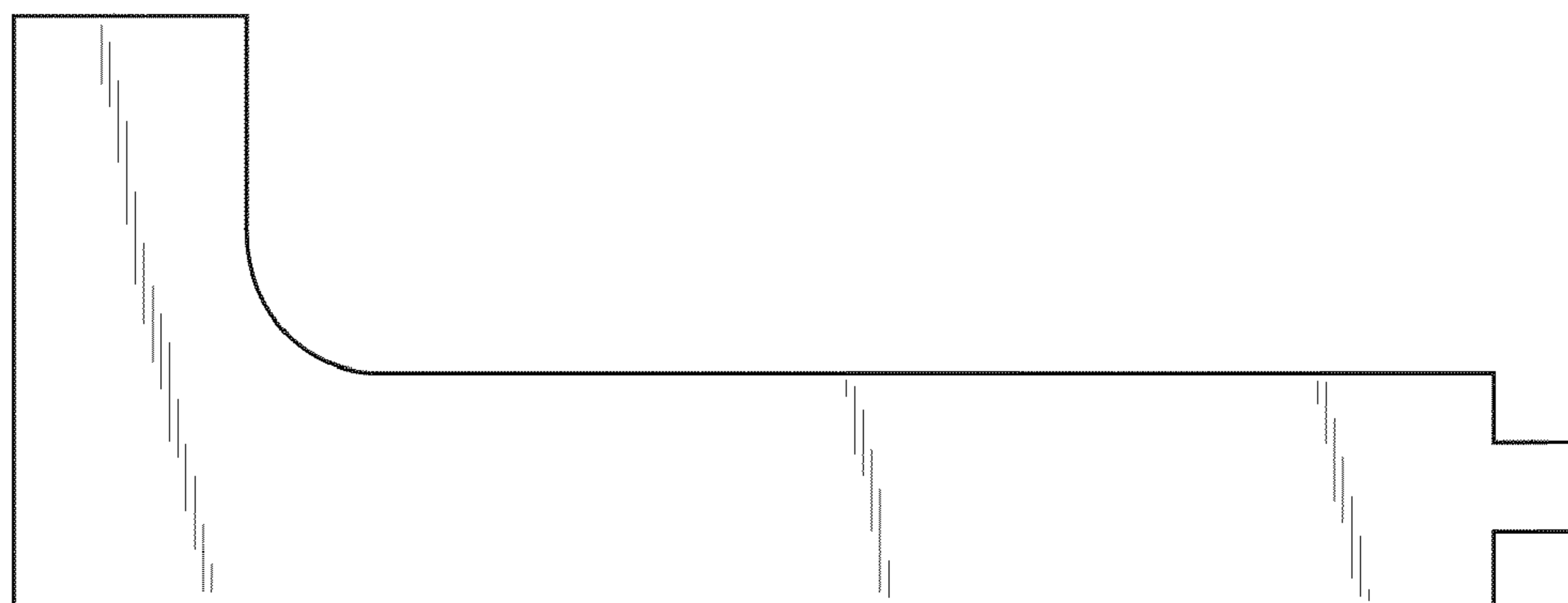
\* cited by examiner



**Fig. 1**



**Fig. 2**



**Fig. 3**

---

**Fig. 4**

---

**Fig. 5**

---

**Fig. 6**

---

**Fig. 7**