



US00D649899S

(12) **United States Design Patent**
Primos

(10) **Patent No.:** **US D649,899 S**

(45) **Date of Patent:** **** Dec. 6, 2011**

(54) **HANDS FREE GAME CALL**

(75) Inventor: **Wilbur R. Primos**, Madison, MS (US)

(73) Assignee: **Primos, Inc.**, Flora, MS (US)

(**) Term: **14 Years**

(21) Appl. No.: **29/386,552**

(22) Filed: **Mar. 2, 2011**

(51) **LOC (9) Cl.** **10-05**

(52) **U.S. Cl.** **D10/119.1**

(58) **Field of Classification Search** D10/119.1;
446/207, 204, 193

See application file for complete search history.

(56) **References Cited**

U.S. PATENT DOCUMENTS

6,062,940 A * 5/2000 Bean 446/193
6,106,357 A * 8/2000 Weiser 446/207

* cited by examiner

Primary Examiner — Caron D Veynar

Assistant Examiner — George D Kirschbaum

(74) *Attorney, Agent, or Firm* — Holland & Hart

(57) **CLAIM**

The ornamental design for a “hands free game call,” as shown and described.

DESCRIPTION

FIG. 1 is a perspective view of a “hands free game call” according to the present invention;

FIG. 2 is a perspective view, rotated 90° as compared to what is shown in FIG. 1, thereof;

FIG. 3 is a top view thereof;

FIG. 4 is a front view thereof;

FIG. 5 is a bottom view thereof;

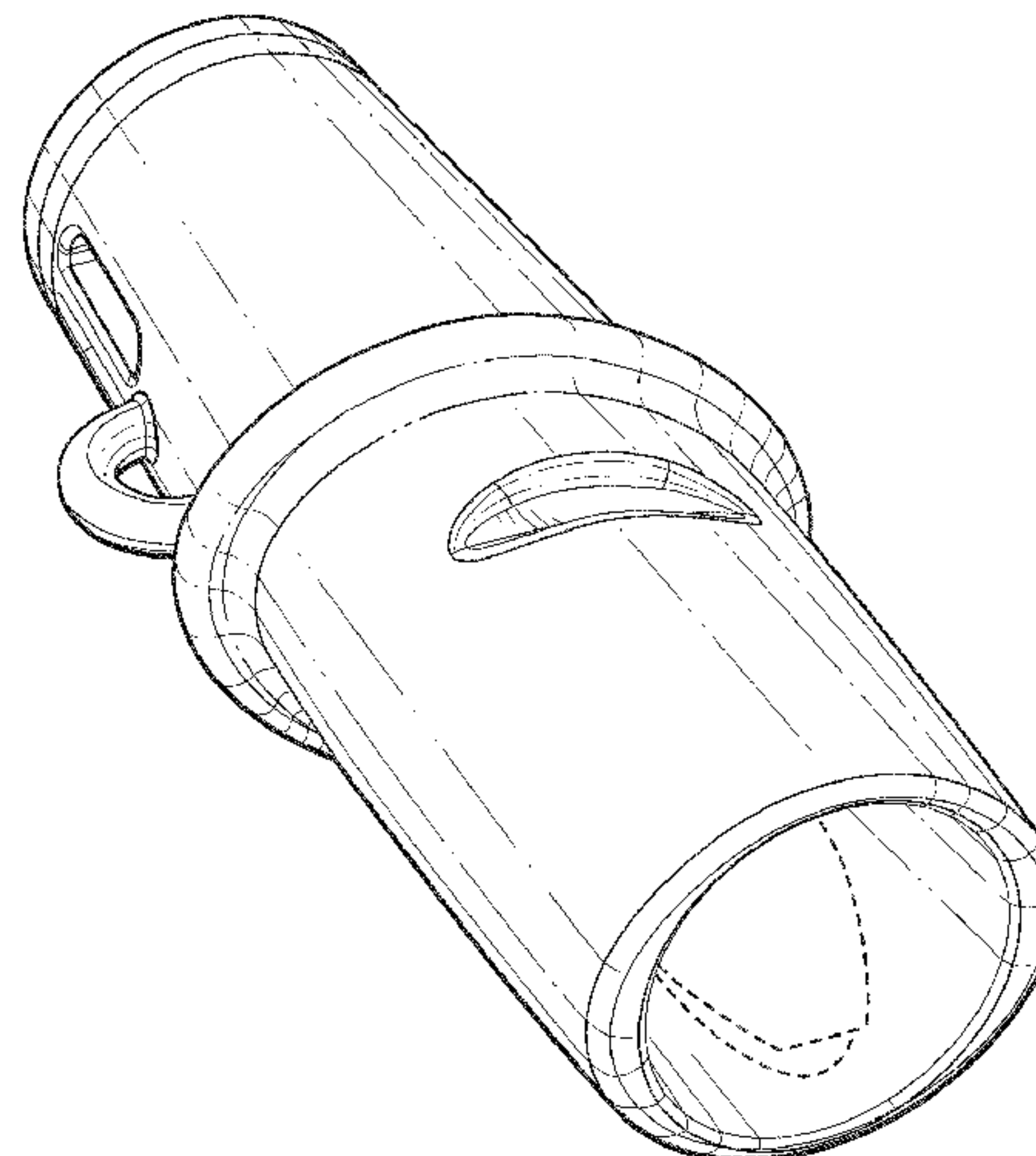
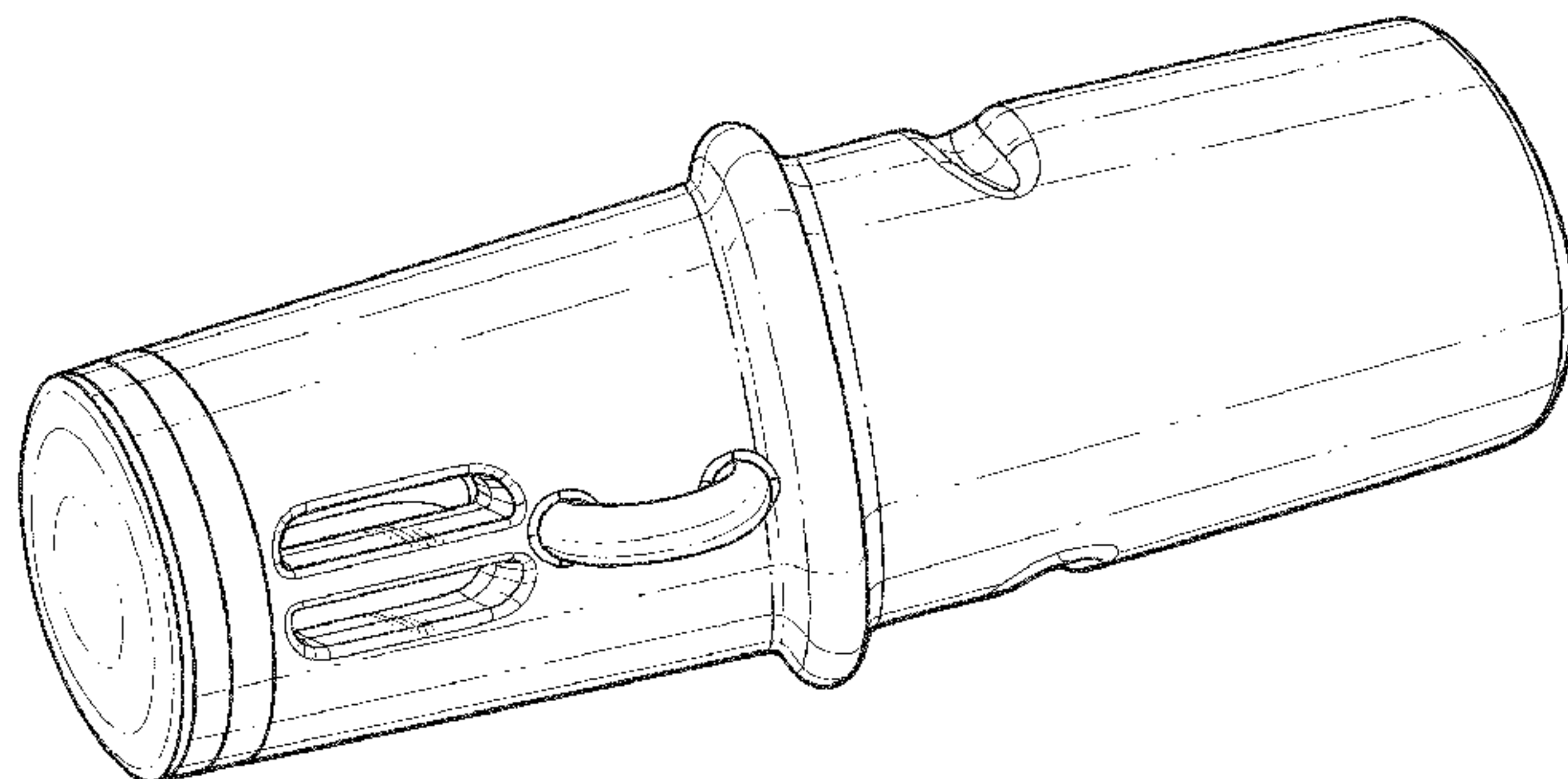
FIG. 6 is a front view thereof;

FIG. 7 is a right side view thereof; and,

FIG. 8 is a left side view thereof.

The broken lines depict unclaimed environmental subject matter and form no part of the claimed design.

1 Claim, 4 Drawing Sheets



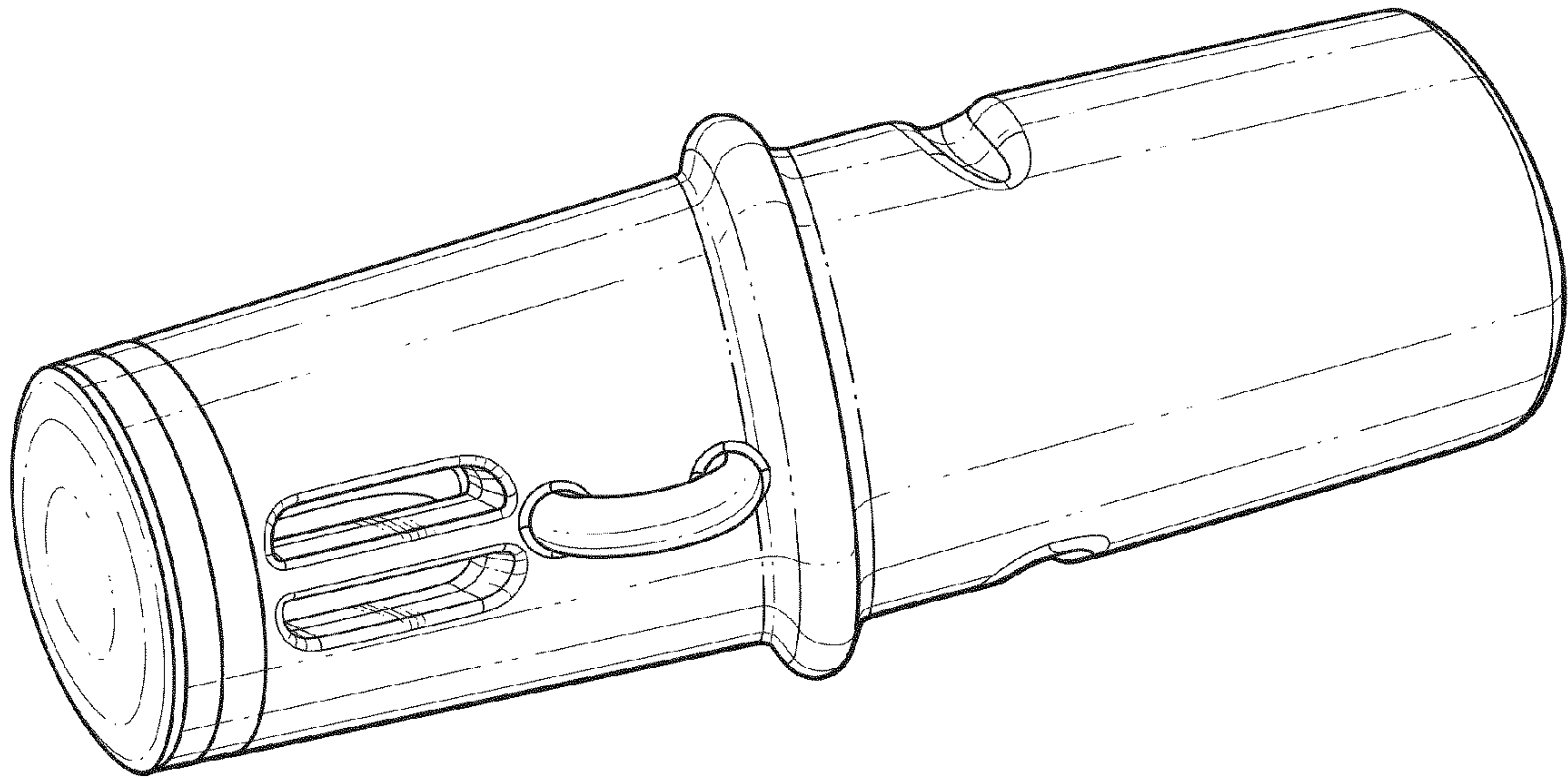


FIG. 1

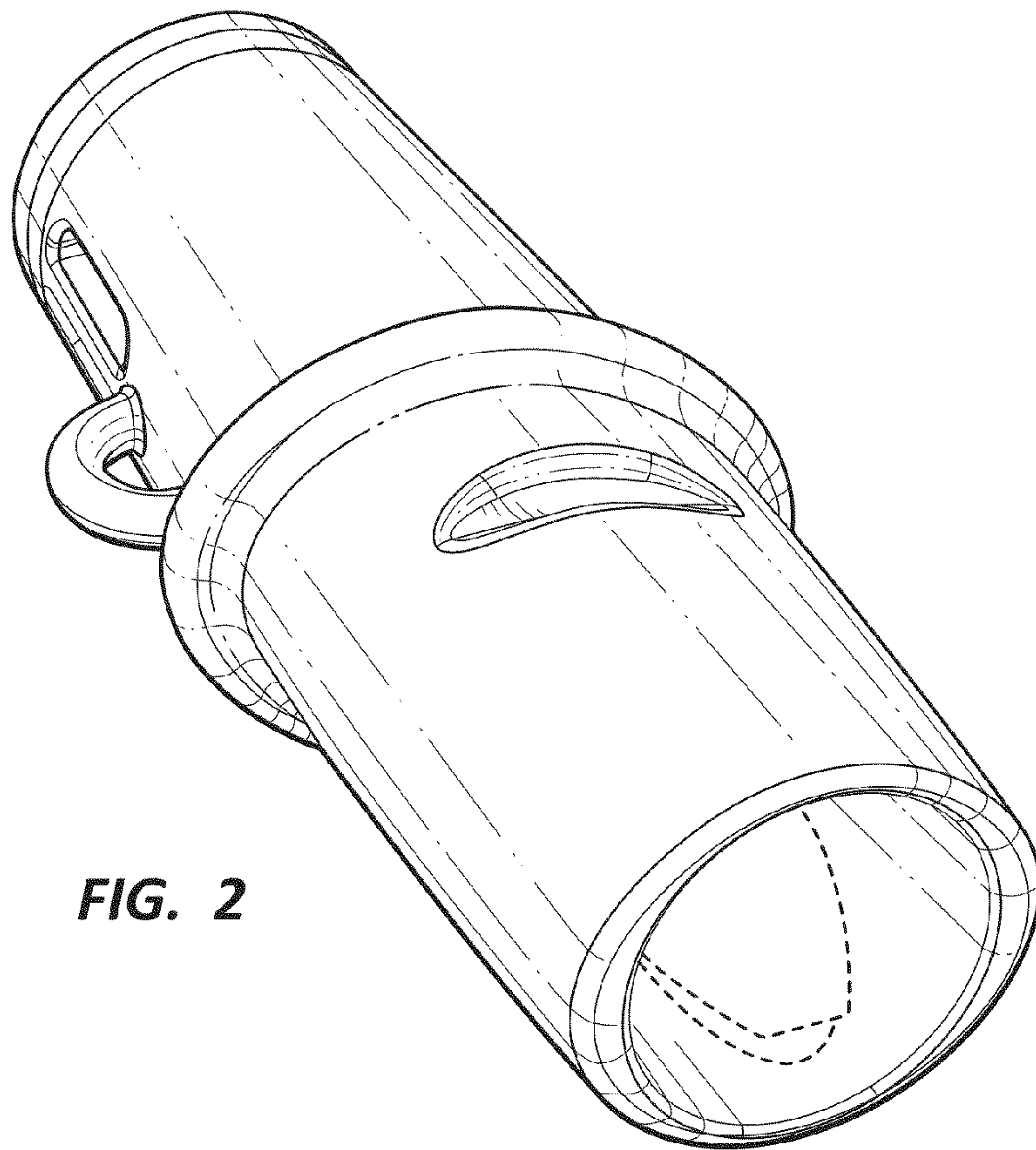


FIG. 2

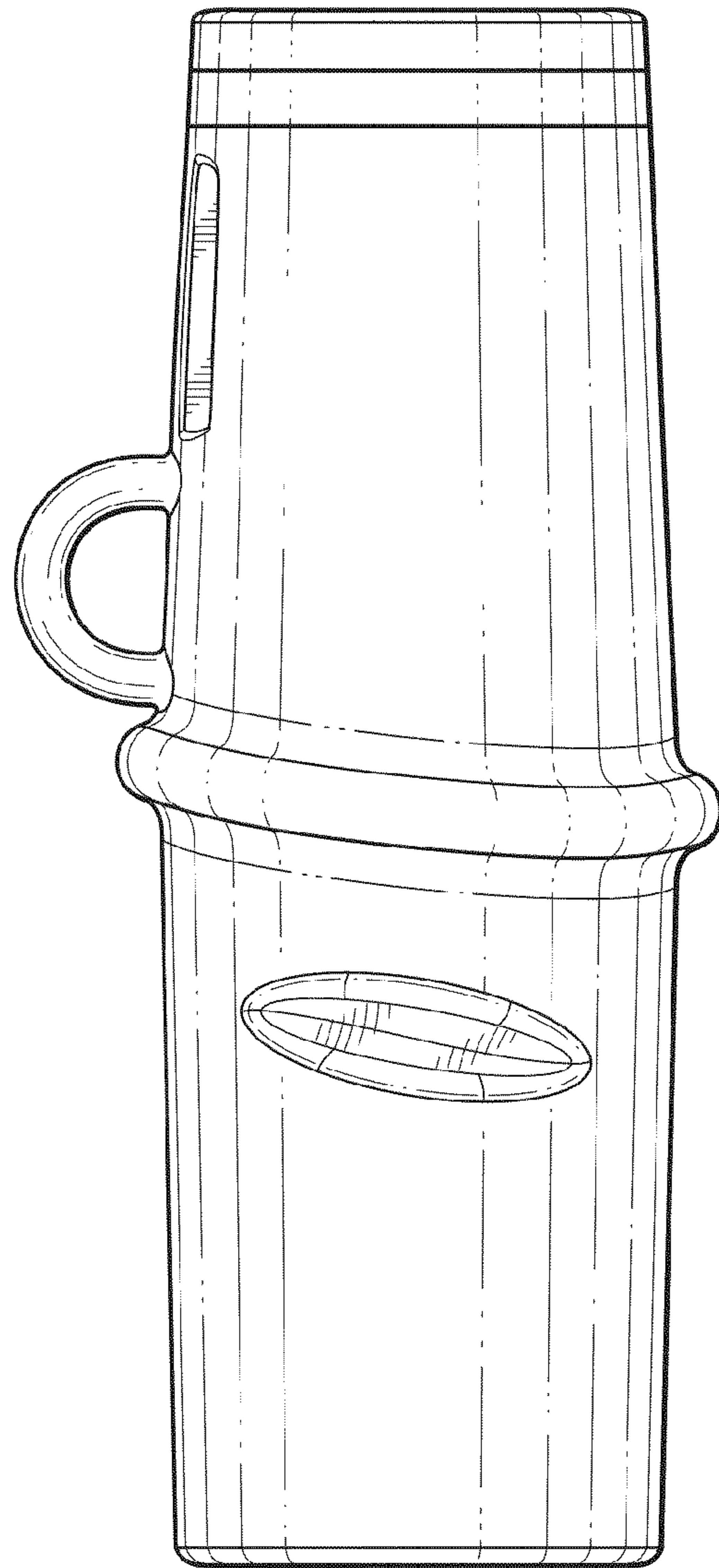


FIG. 3

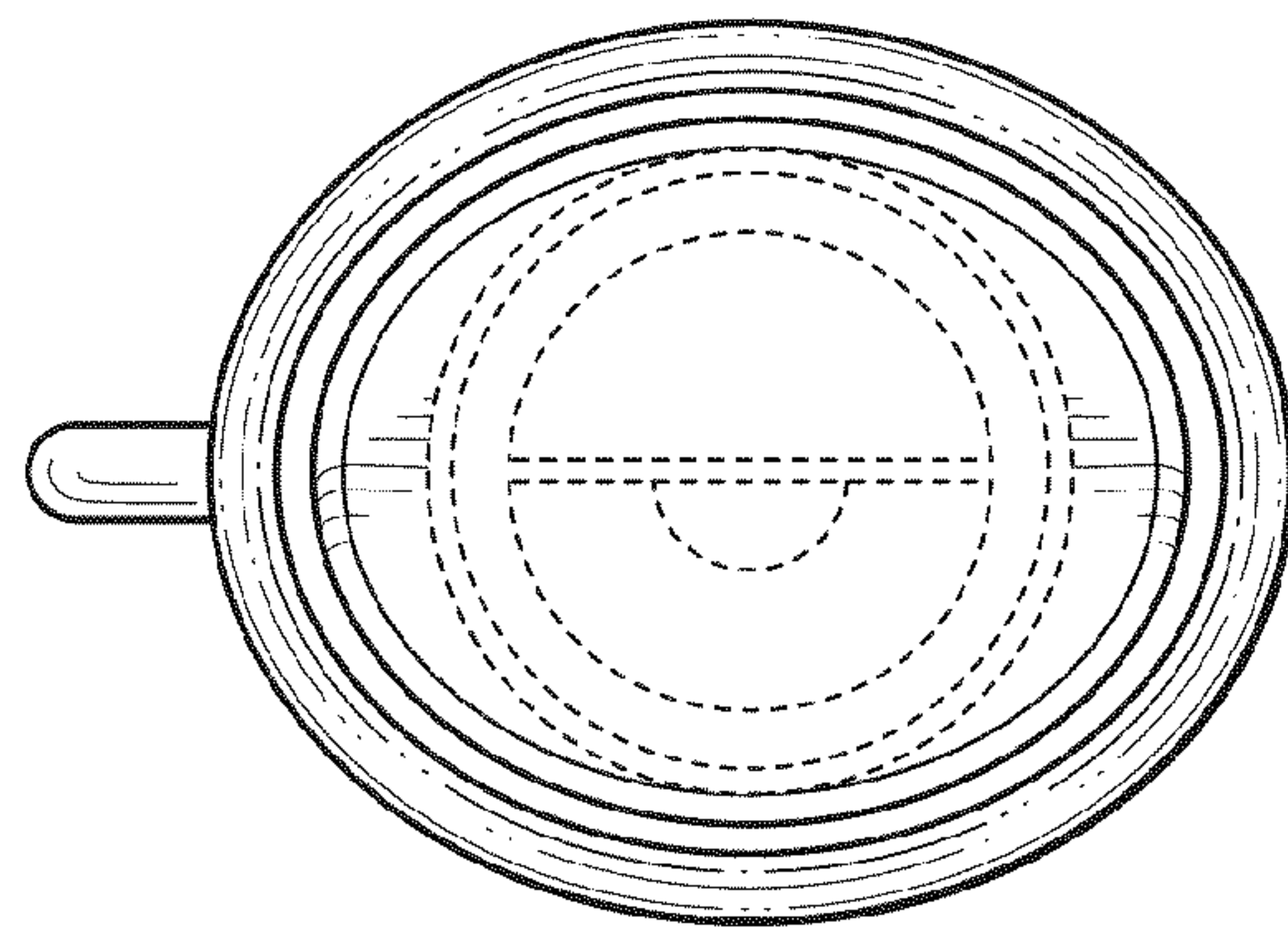


FIG. 4

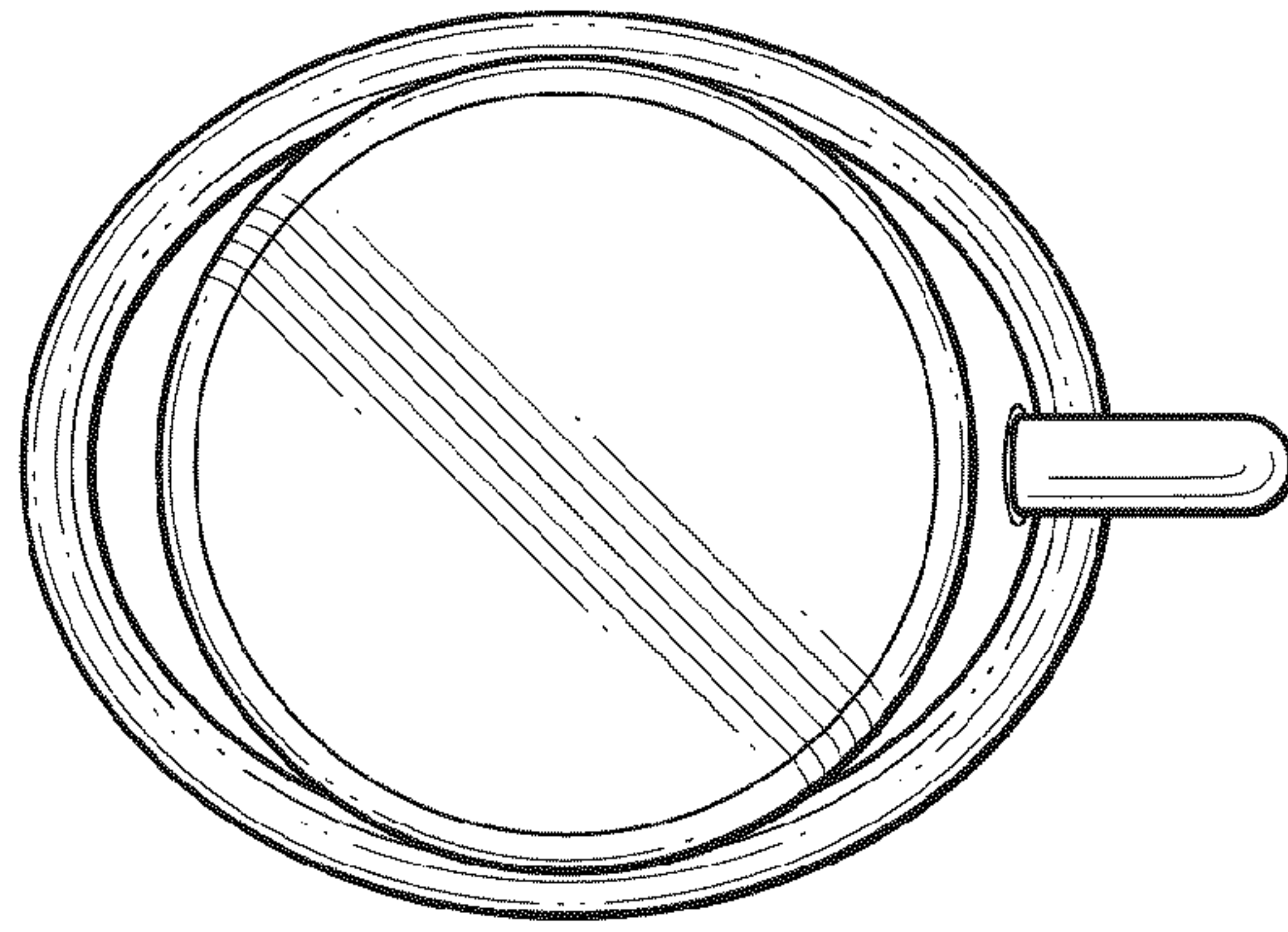


FIG. 6

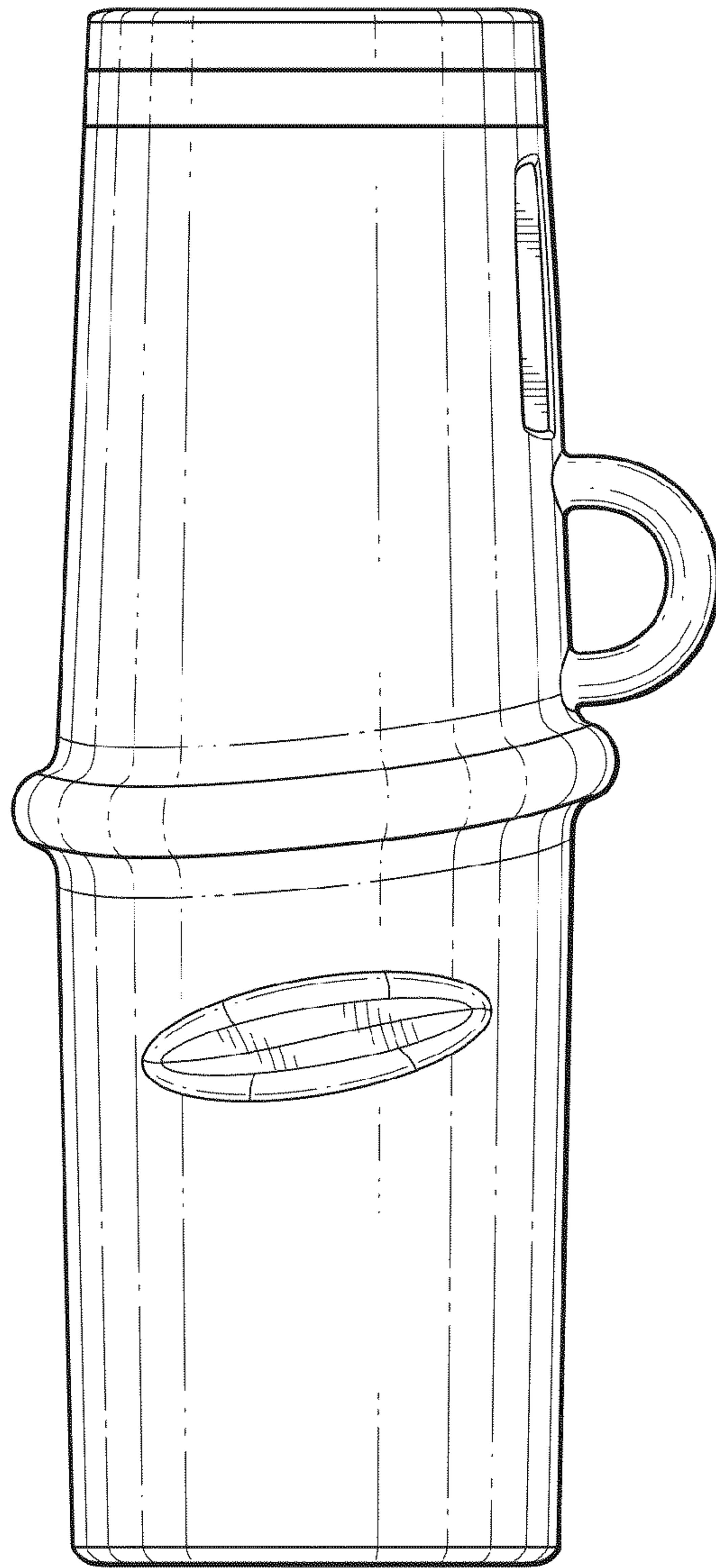


FIG. 5

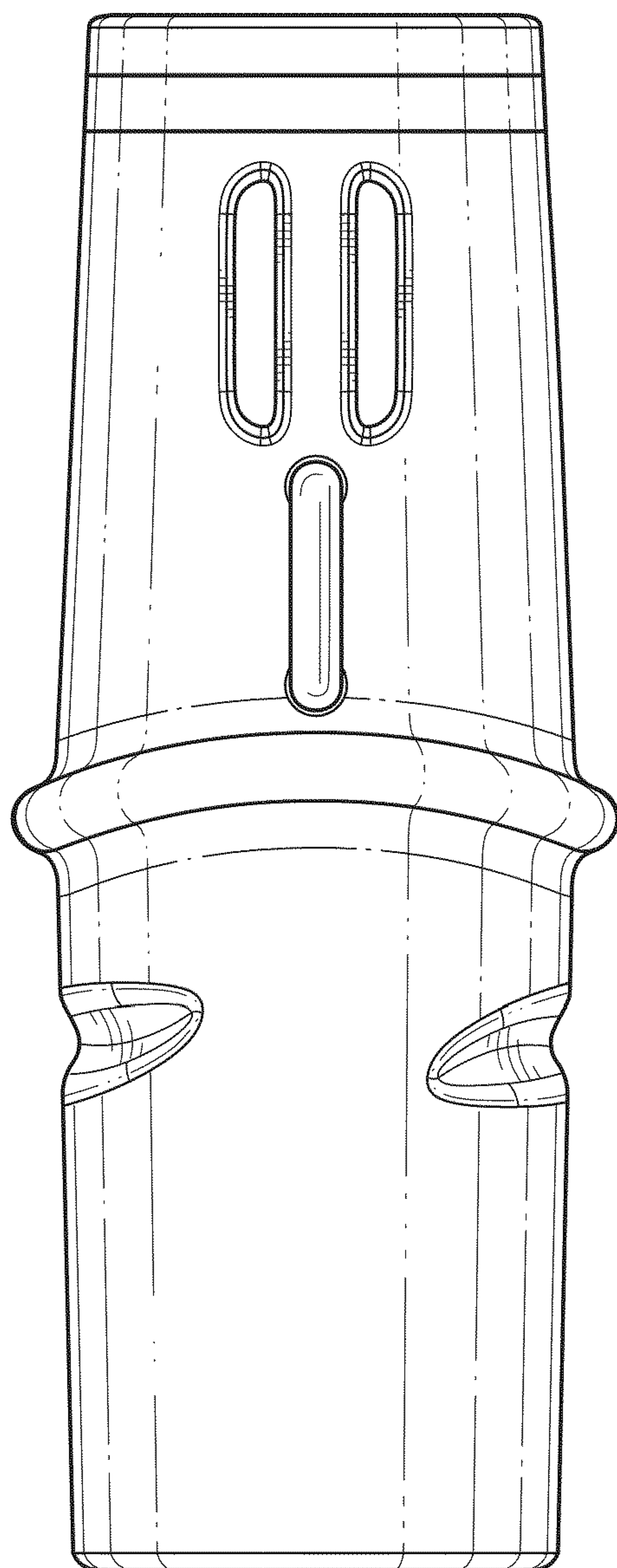


FIG. 7

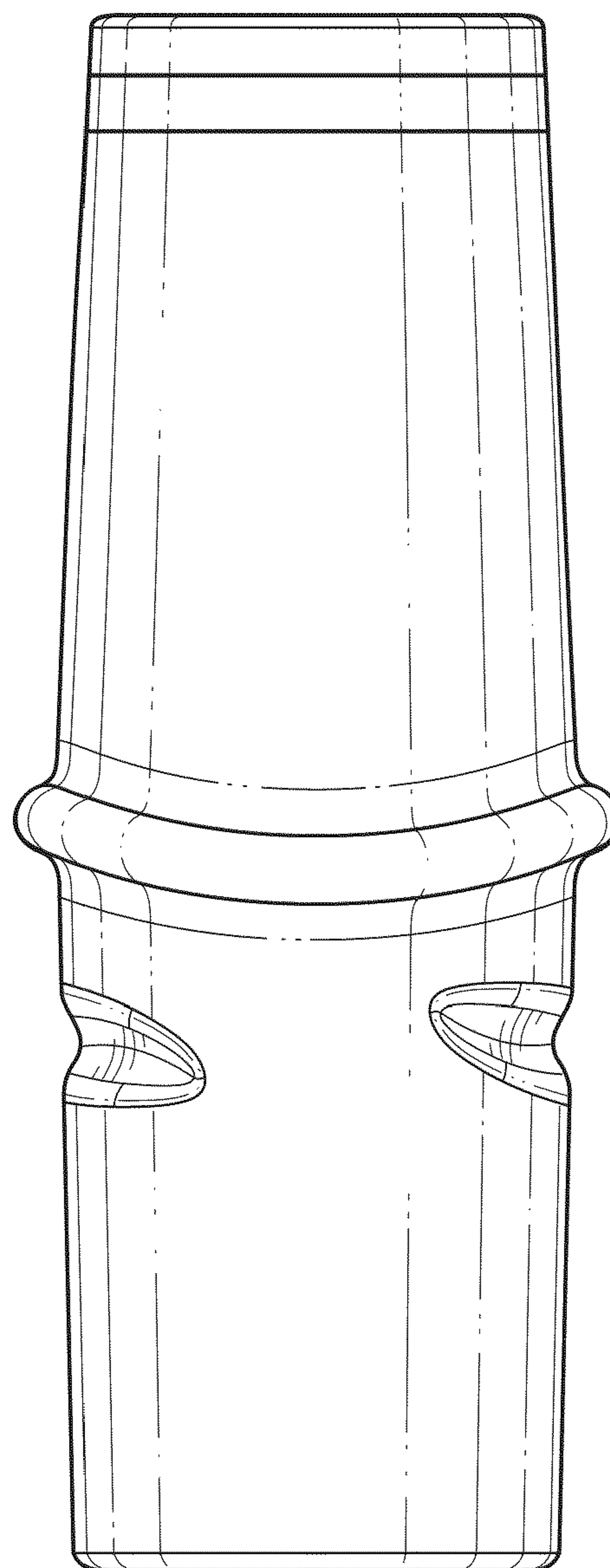


FIG. 8