



US00D649898S

(12) **United States Design Patent**
Yang

(10) **Patent No.:** **US D649,898 S**
(45) **Date of Patent:** **** Dec. 6, 2011**

(54) **LOW PROFILE ELECTRONIC ARTICLE SURVEILLANCE TAG**

D559,720 S 1/2008 Raymond
7,336,180 B2 2/2008 Sayegh et al.
7,400,254 B2 7/2008 Yang et al.

(75) Inventor: **Xiao Hui Yang**, Los Altos, CA (US)

(Continued)

(73) Assignee: **WG Security Products**, San Jose, CA (US)

Primary Examiner — Caron D Veynar
Assistant Examiner — George D Kirschbaum

(**) Term: **14 Years**

(74) *Attorney, Agent, or Firm* — Waters Law Group, PLLC; Robert R. Waters; Brian W. Foxworthy

(21) Appl. No.: **29/388,255**

(57) **CLAIM**

The ornamental design for a low profile electronic article surveillance tag, as shown and described.

(22) Filed: **Mar. 25, 2011**

(51) **LOC (9) Cl.** **10-05**

(52) **U.S. Cl.** **D10/106.91**

(58) **Field of Classification Search** D10/106.91,
D10/106.9, 121; 340/572.8, 578.9, 572.1,
340/568.1, 825.54; D13/137.1, 137.2, 138.1;
D8/354, 356, 364, 373, 380

DESCRIPTION

See application file for complete search history.

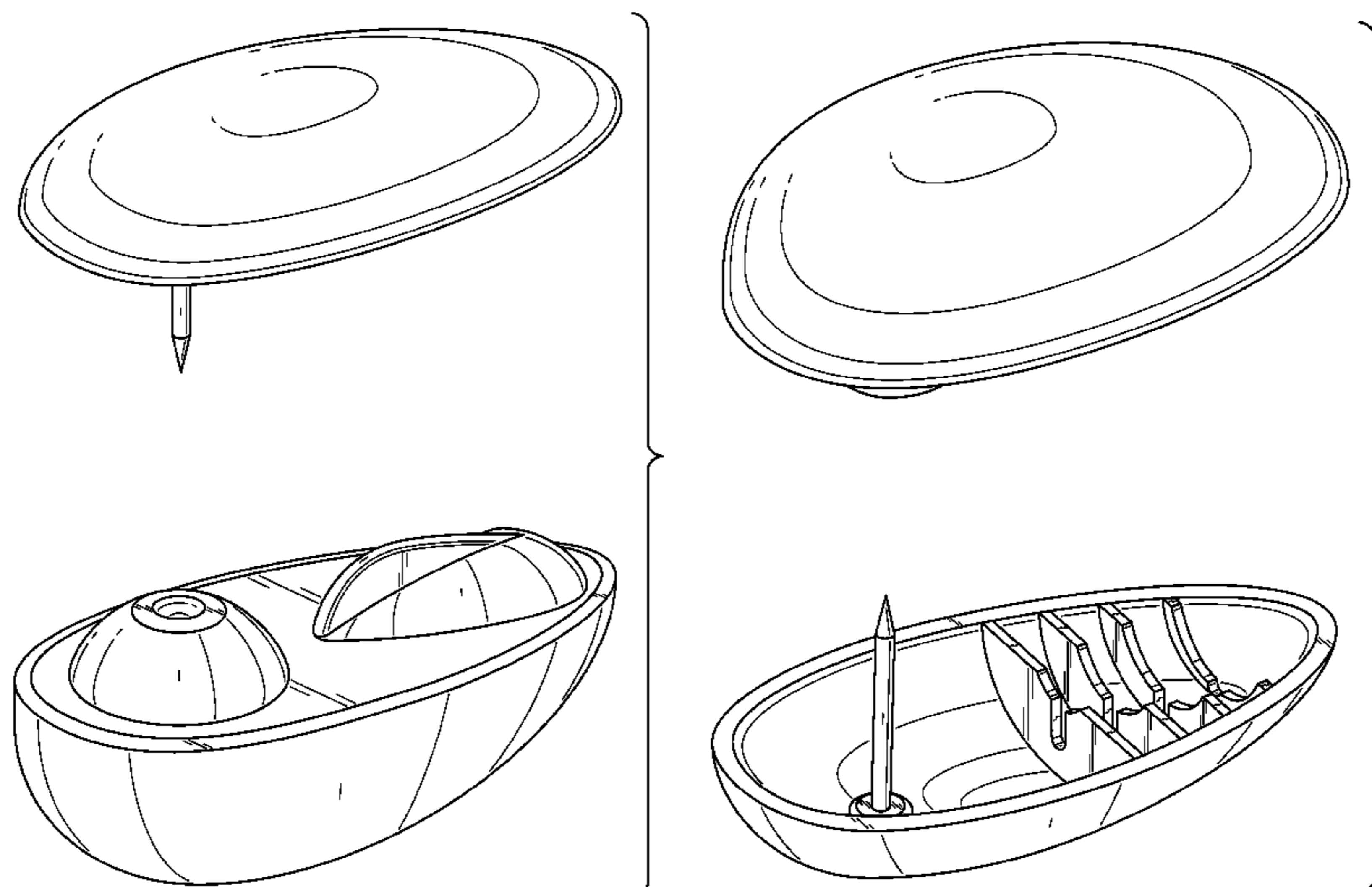
FIG. 1 is a top view of the body of my new design for a low profile electronic article surveillance tag.
FIG. 2 is a bottom view of the body of my new design for a low profile electronic article surveillance tag.
FIG. 3 is a side view of the body of my new design for a low profile electronic article surveillance tag.
FIG. 4 is a side view of the cap of my new design for a low profile electronic article surveillance tag.
FIG. 5 is a top view of the cap of my new design for a low profile electronic article surveillance tag.
FIG. 6 is a bottom view of the cap of my new design for a low profile electronic article surveillance tag.
FIG. 7 is a first perspective view of the body and cap of my new design for a low profile electronic article surveillance tag in relation to each other.
FIG. 8 is a second perspective view of the body and cap of my new design for a low profile electronic article surveillance tag in relation to each other.
FIG. 9 is a first perspective view of the body and cap of my new design for a low profile electronic article surveillance tag in assembly; and,
FIG. 10 is a second perspective view of the body and cap of my new design for a low profile electronic article surveillance tag in assembly.

(56) **References Cited**

U.S. PATENT DOCUMENTS

3,911,534	A	10/1975	Martens et al.
5,426,419	A	6/1995	Nguyen et al.
5,528,914	A	6/1996	Nguyen et al.
D427,929	S	7/2000	Sayegh
6,121,878	A	9/2000	Brady et al.
6,255,950	B1	7/2001	Nguyen
6,339,378	B2	1/2002	Seidel
6,373,390	B1	4/2002	Hogan et al.
6,474,117	B2	11/2002	Okuno
D466,426	S	12/2002	Prouix et al.
6,535,130	B2	3/2003	Nguyen et al.
D478,828	S	8/2003	Yang et al.
D478,829	S	8/2003	Yang et al.
6,631,629	B1	10/2003	Fuss et al.
6,754,939	B2	6/2004	Belden, Jr. et al.
D504,839	S	5/2005	Sayegh
D509,454	S	9/2005	Sayegh
D510,884	S	10/2005	Sayegh
7,073,236	B2	7/2006	Xue et al.
7,084,766	B2	8/2006	Sayegh et al.
7,190,272	B2	3/2007	Yang et al.

1 Claim, 7 Drawing Sheets



US D649,898 S

Page 2

U.S. PATENT DOCUMENTS					
7,474,222	B2	1/2009	Yang et al.	2009/0160644	A1 6/2009 Yang
D612,759	S	3/2010	Handyside	2009/0212920	A1 8/2009 Yang
D624,447	S	9/2010	Yang	2010/0238031	A1* 9/2010 Belden et al. 340/568.1
7,961,100	B2*	6/2011	Wyatt et al. 340/572.1	2010/0315238	A1 12/2010 Yang
2009/0058659	A1	3/2009	Handyside et al.	2010/0315239	A1 12/2010 Yang

* cited by examiner

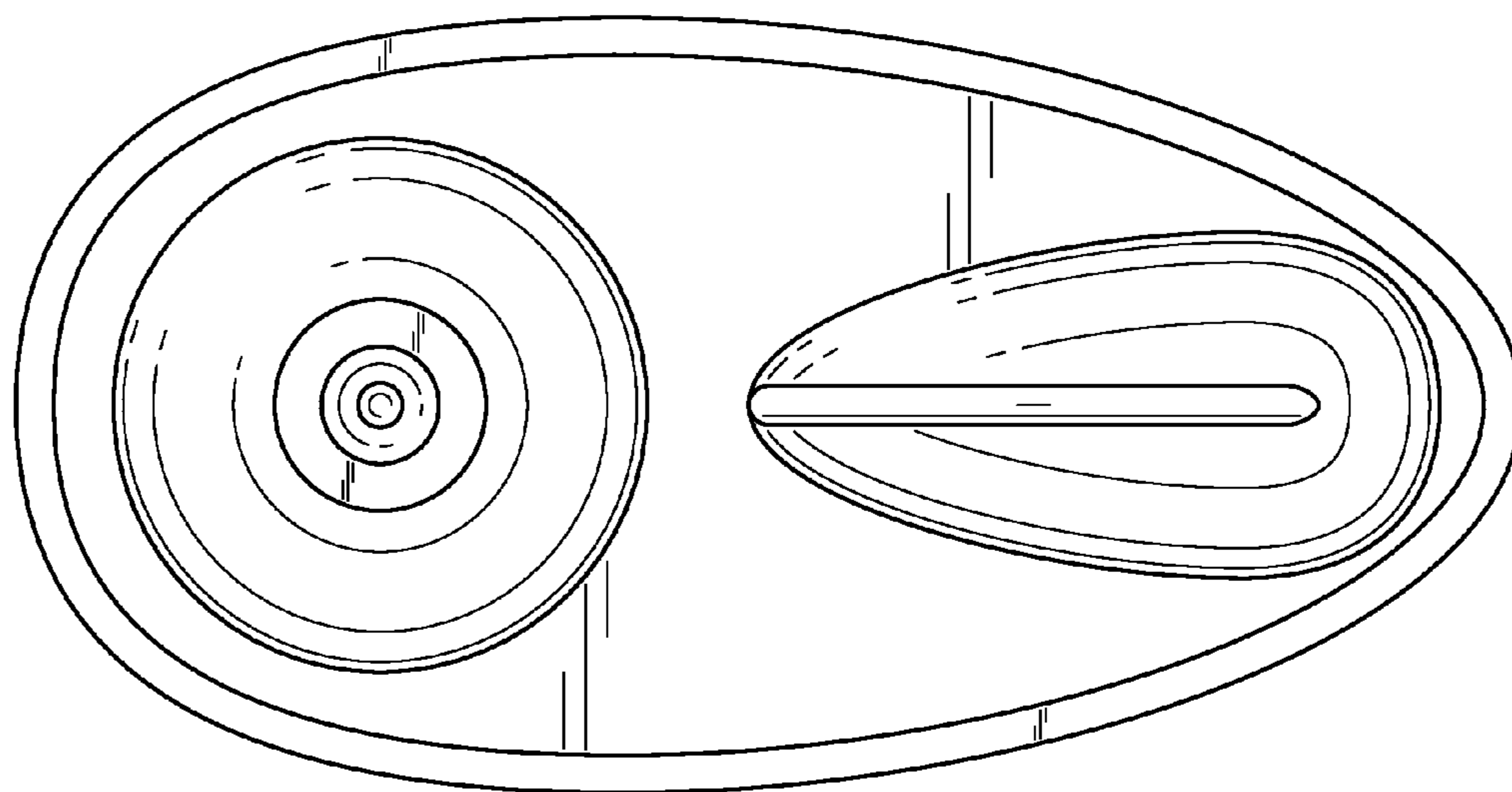


FIG. 1

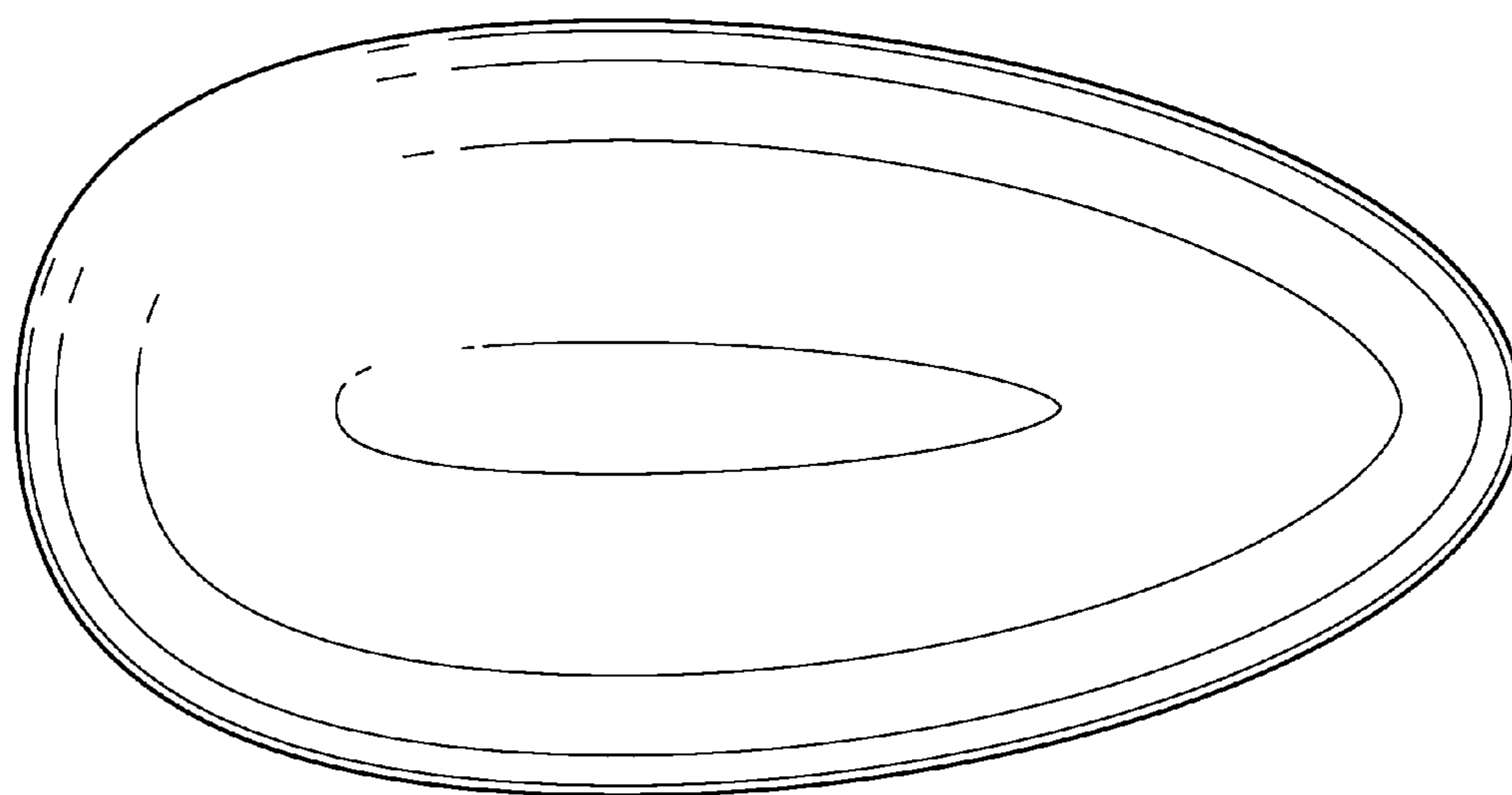


FIG. 2

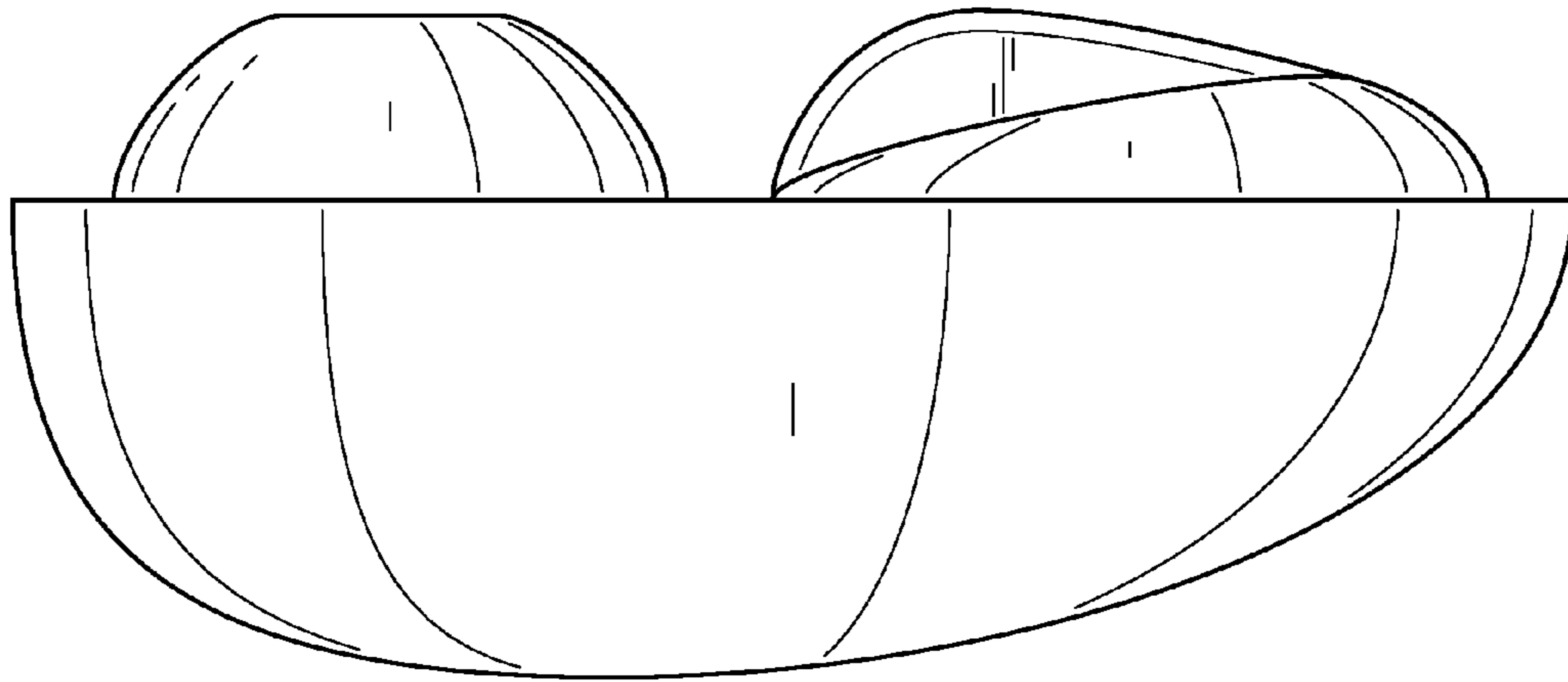


FIG. 3

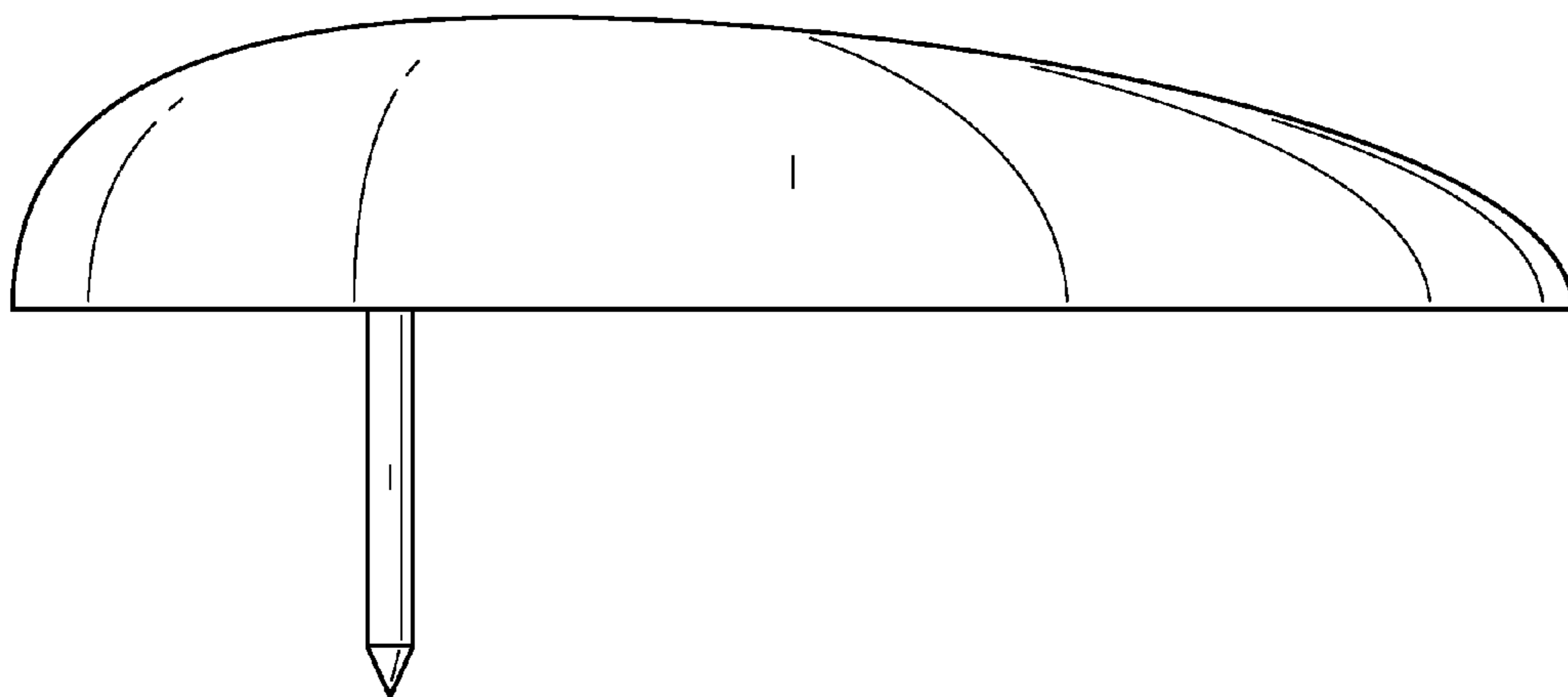


FIG. 4

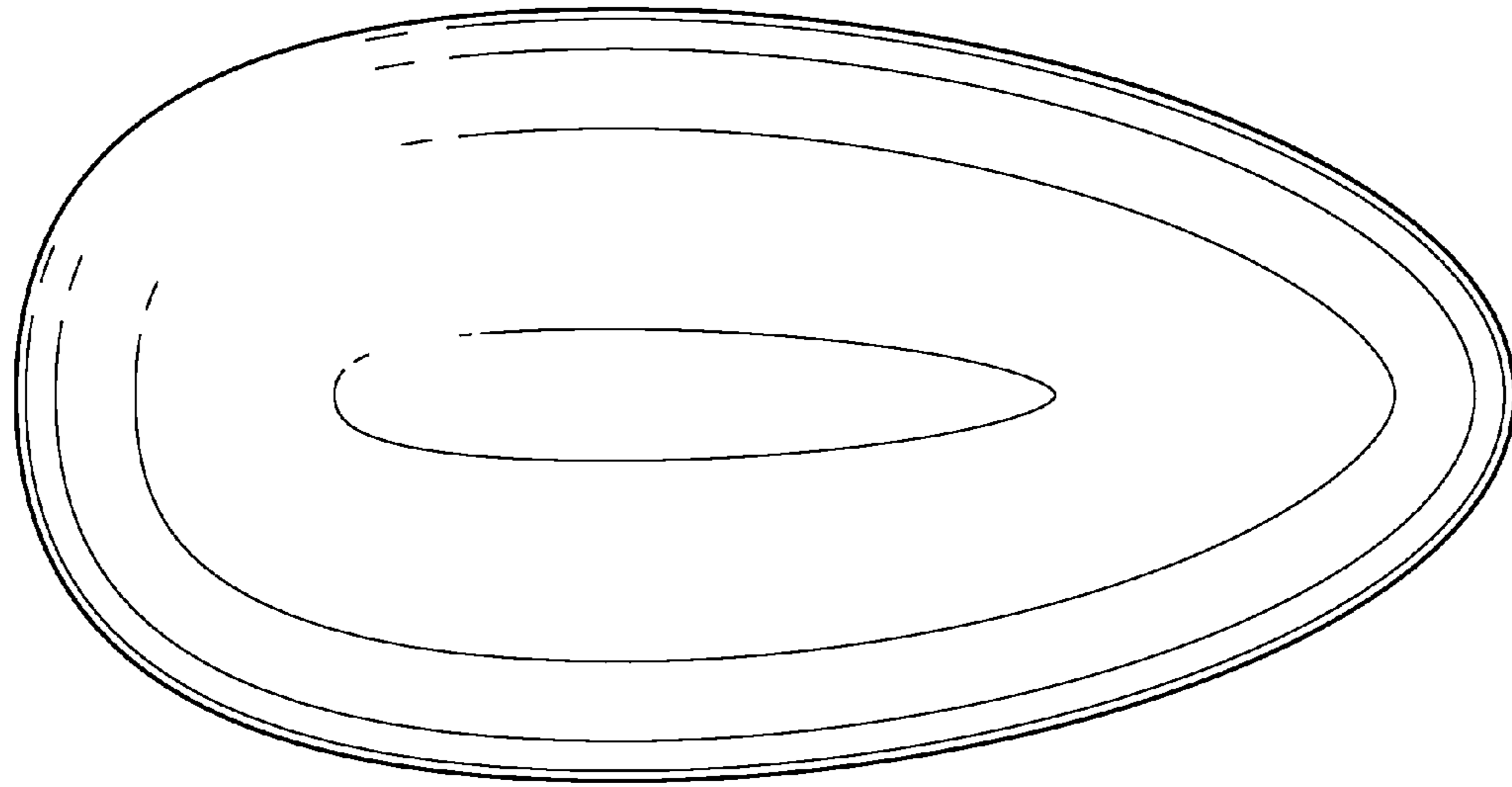


FIG. 5

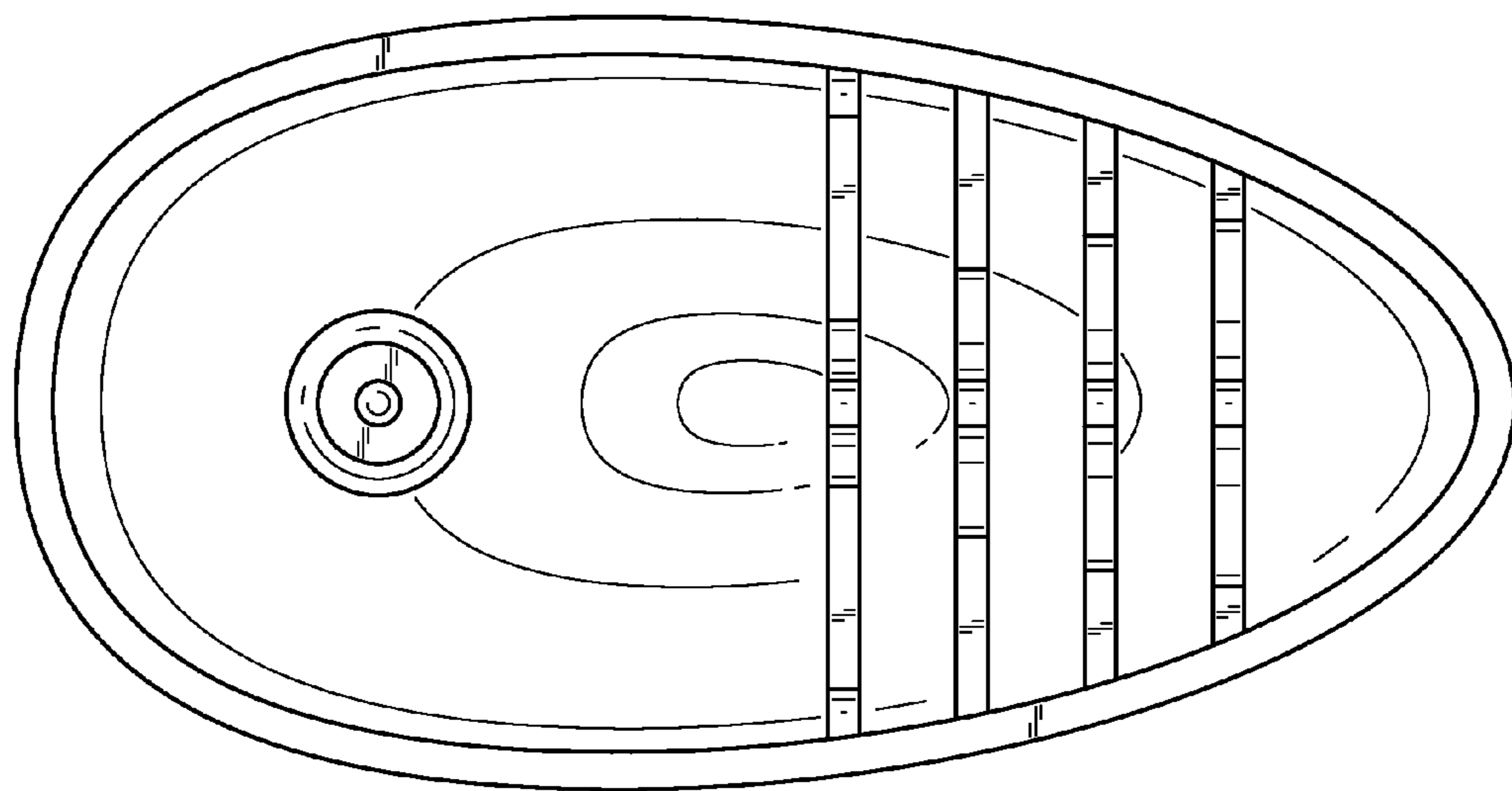


FIG. 6

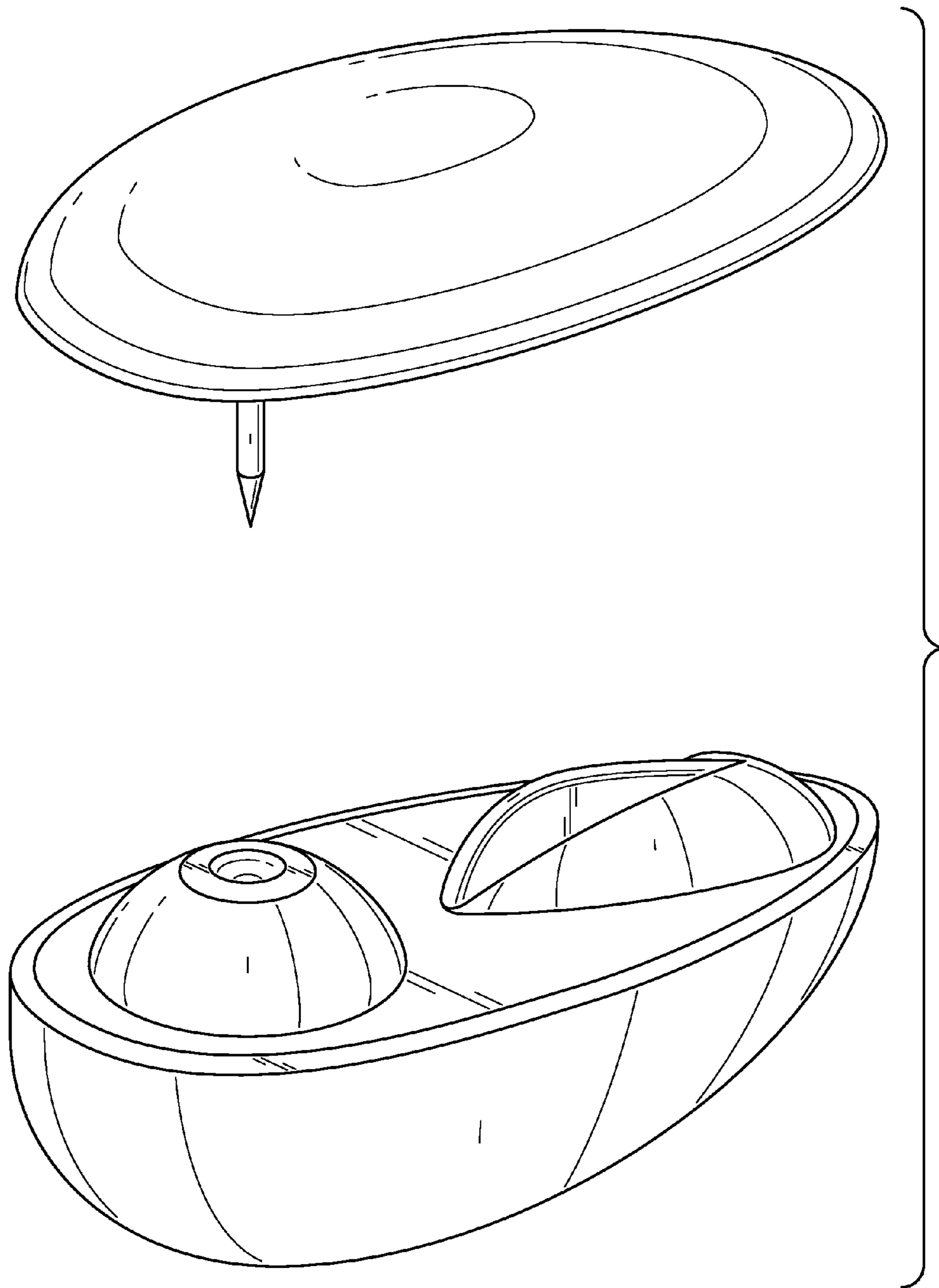


FIG. 7

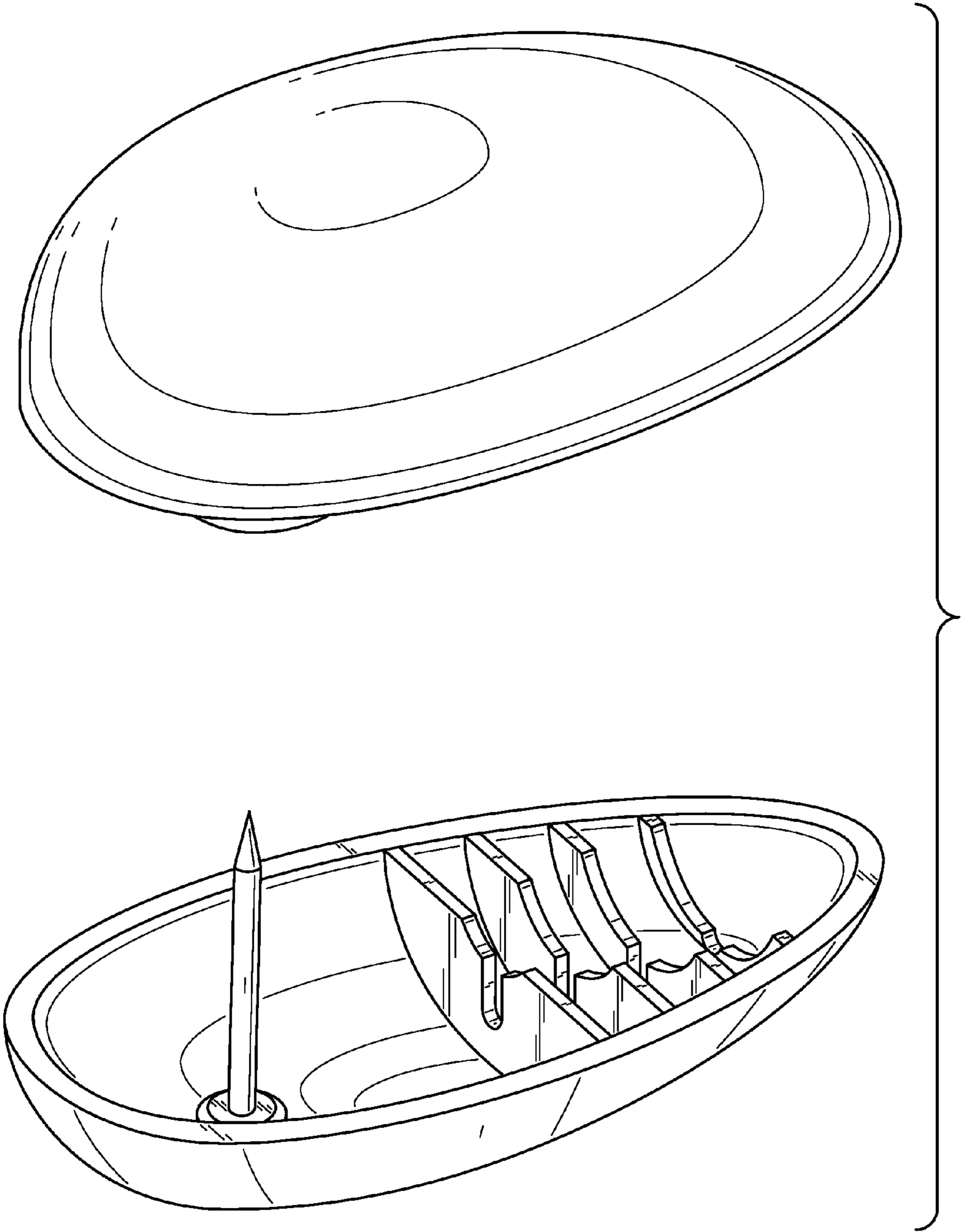


FIG. 8

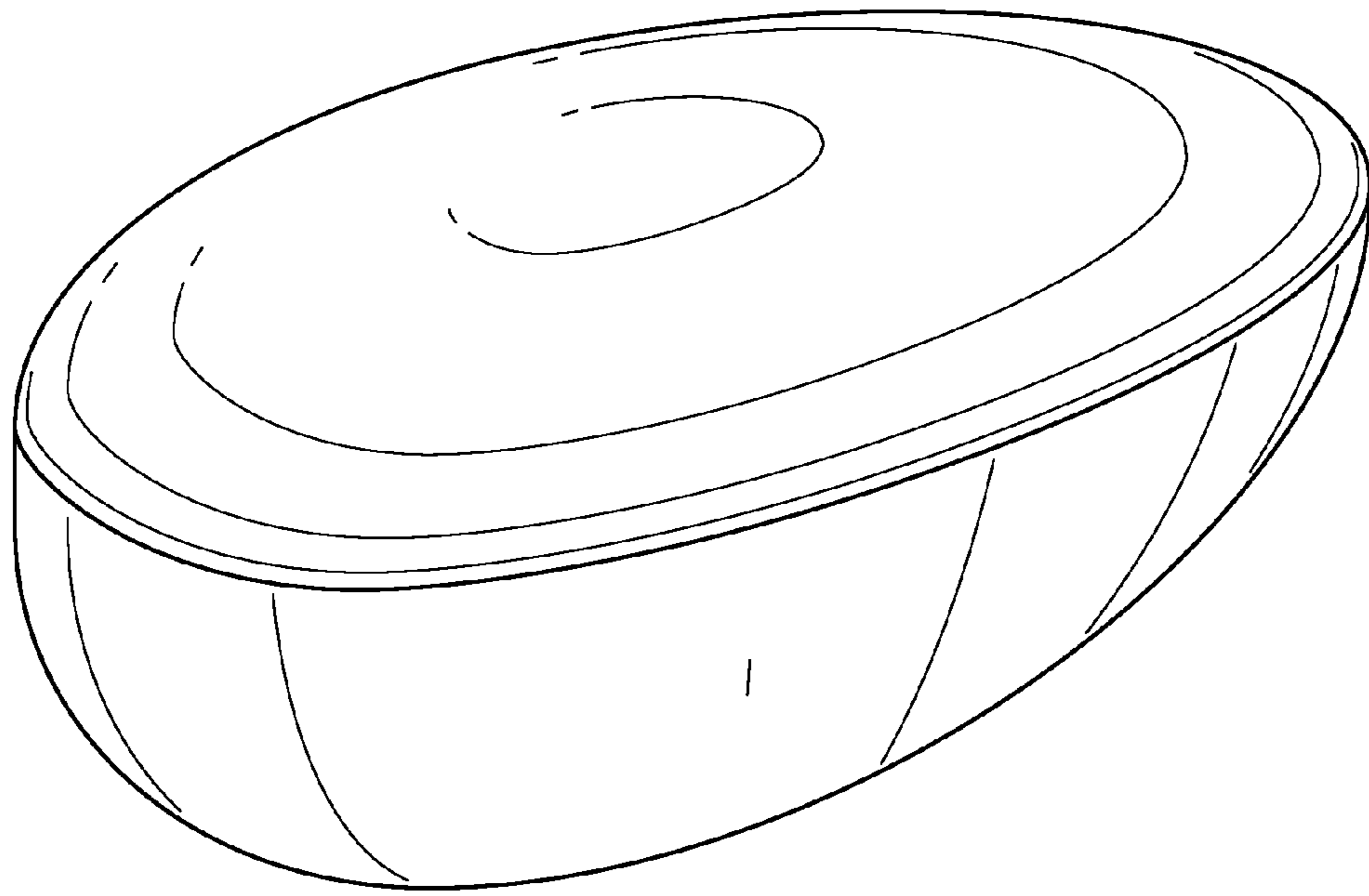


FIG. 9

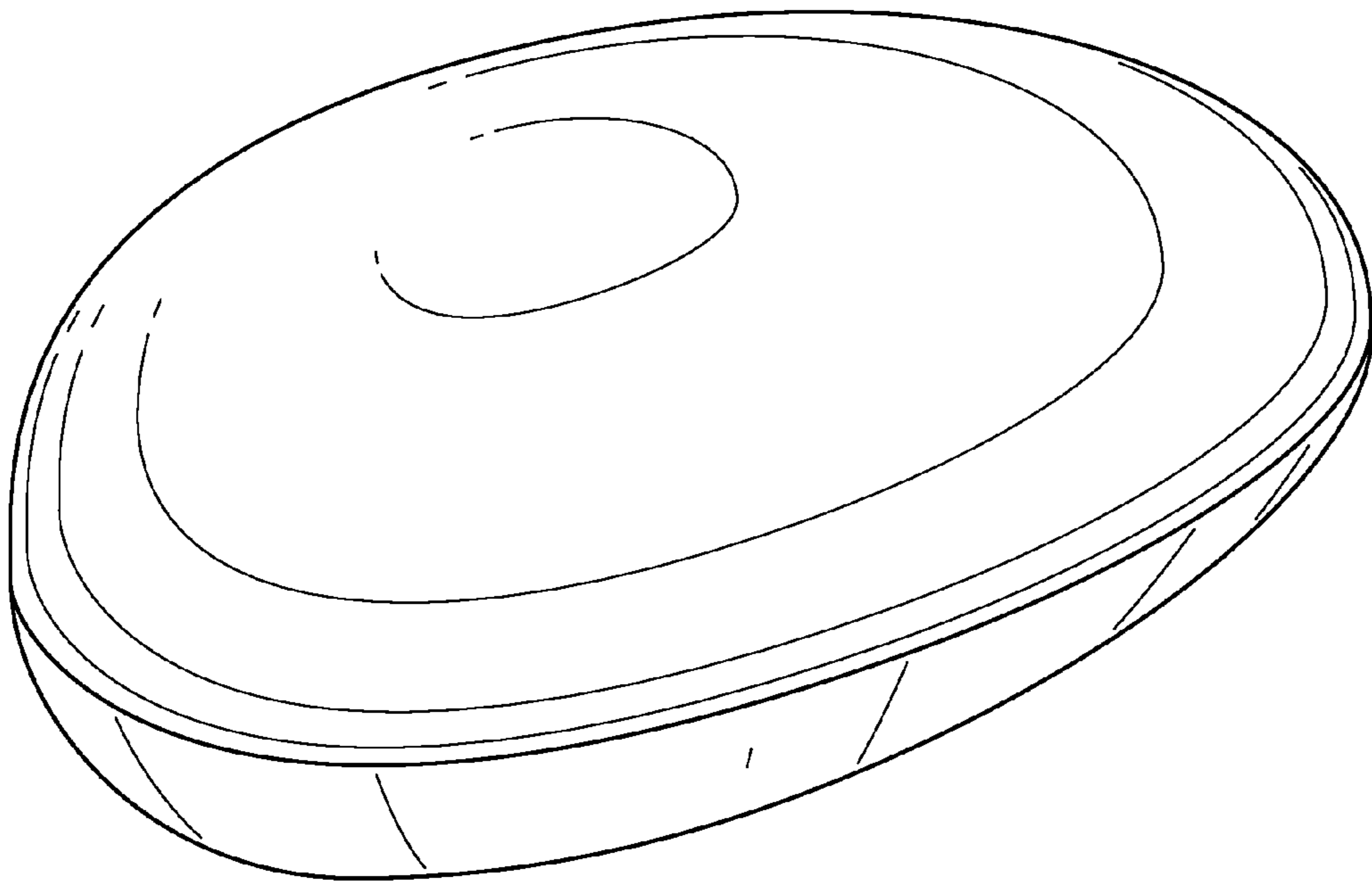


FIG. 10