



US00D649896S

(12) **United States Design Patent**  
**Stifle et al.**

(10) **Patent No.:** **US D649,896 S**

(45) **Date of Patent:** **\*\* Dec. 6, 2011**

(54) **ELECTRONIC TOKEN AND DATA CARRIER RECEPTACLE**

(75) Inventors: **William Stifle**, Rogers, MN (US); **Dean Daniels**, Rosemount, MN (US)

(73) Assignee: **ATEK Products, LLC**, Brainerd, MN (US)

(\*\*) Term: **14 Years**

(21) Appl. No.: **29/331,762**

(22) Filed: **Jan. 30, 2009**

(51) **LOC (9) Cl.** ..... **10-05**

(52) **U.S. Cl.** ..... **D10/106.9**

(58) **Field of Classification Search** ..... D10/106.9, D10/106.91; D3/207; D14/299, 436, 480.1–480.7, D14/420; 235/487–492; 194/205; 361/728–733; D13/138.1, 137.2; 340/572.7; D8/347  
See application file for complete search history.

(56) **References Cited**

**U.S. PATENT DOCUMENTS**

D59,194 S	10/1921	Collins
2,057,532 A	10/1936	MacDonald
2,176,253 A	10/1939	Fogarty
2,312,204 A	2/1943	Weindel, Jr.
D140,669 S	3/1945	Moore
D161,490 S	1/1951	Moore
2,540,718 A	2/1951	Duskin
3,001,167 A	9/1961	Chestnutt et al.
3,122,996 A	3/1964	Heatwole
3,222,534 A	12/1965	Scott
3,500,326 A	3/1970	Benford
3,544,769 A	12/1970	Hedin
3,641,315 A	2/1972	Nagata et al.
3,641,498 A	2/1972	Hedin
3,644,745 A	2/1972	Bell
3,648,020 A	3/1972	Tateisi
3,651,464 A	3/1972	Hedin et al.
3,657,496 A	4/1972	Davidson
3,660,831 A	5/1972	Nicola
3,663,774 A	5/1972	Feder

3,673,467 A	6/1972	Eisenreich
3,678,250 A	7/1972	Dethloff et al.
3,686,659 A	8/1972	Bostrom
3,694,810 A	9/1972	Mullens et al.
3,702,464 A	11/1972	Castrucci
3,754,214 A	8/1973	Matsumoto et al.
3,757,305 A	9/1973	Hedin

(Continued)

**FOREIGN PATENT DOCUMENTS**

DE 10 60 961 7/1959

(Continued)

**OTHER PUBLICATIONS**

Lubachevsky, Boris D. et al. "Dense Packings of Congruent Circles in Rectangles with a Variable Aspect Ratio," arXiv:math/0405148 (May 2004).

(Continued)

*Primary Examiner* — Caron D Veynar

*Assistant Examiner* — George D Kirschbaum

(74) *Attorney, Agent, or Firm* — Dorsey & Whitney LLP

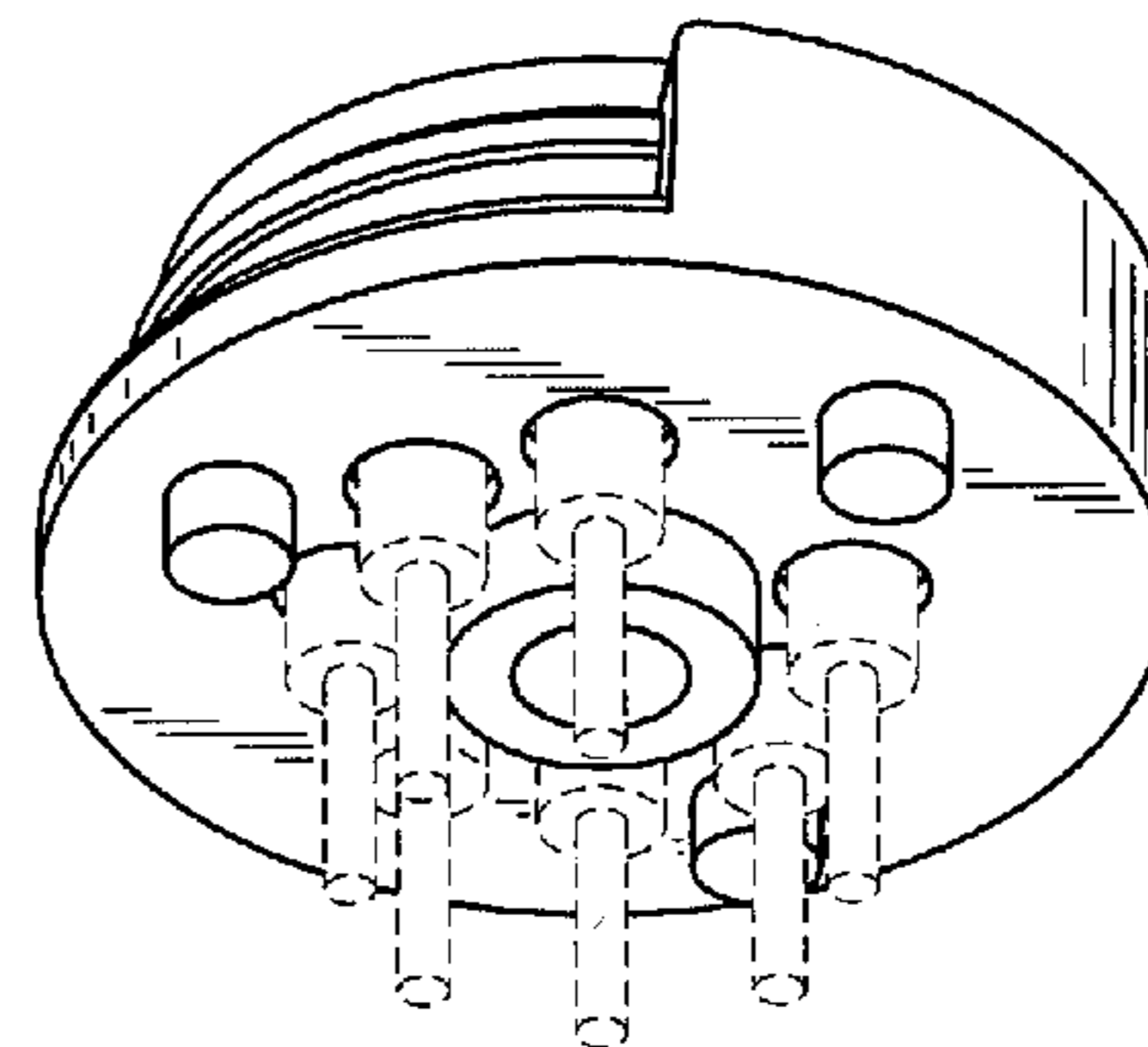
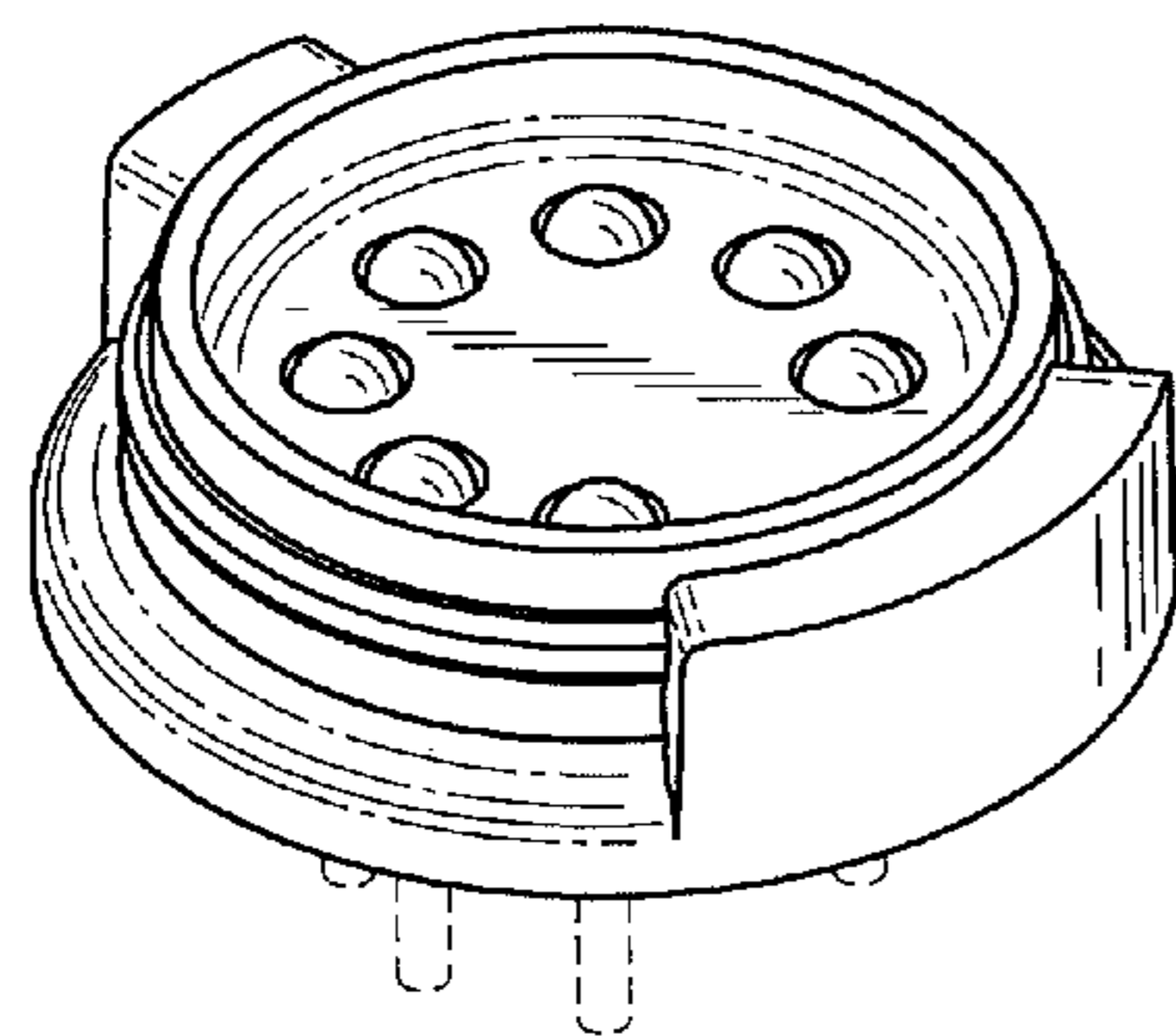
(57) **CLAIM**

The ornamental design for an electronic token and data carrier receptacle, as shown.

**DESCRIPTION**

FIG. 1 is a top perspective view of an electronic token and data carrier receptacle showing our new design; FIG. 2 is a bottom perspective view thereof; FIG. 3 is a top view thereof; FIG. 4 is a bottom view thereof; FIG. 5 is a side view thereof; FIG. 6 is a rear end view thereof; and, FIG. 7 is a front end view thereof. The broken lines depict unclaimed environmental subject matter.

**1 Claim, 3 Drawing Sheets**



U.S. PATENT DOCUMENTS

3,761,892 A 9/1973 Bosnyak  
 3,782,148 A 1/1974 Goldman  
 3,806,882 A 4/1974 Clarke  
 3,842,629 A 10/1974 Pazer et al.  
 3,848,229 A 11/1974 Perron et al.  
 3,859,634 A 1/1975 Perron et al.  
 3,889,501 A 6/1975 Fort  
 3,928,750 A 12/1975 Wolflingseder  
 3,971,916 A 7/1976 Moreno  
 4,023,161 A 5/1977 Sasaki  
 4,050,063 A 9/1977 Schull  
 4,085,394 A 4/1978 Weisenburger  
 4,176,782 A 12/1979 Fukuda et al.  
 4,211,919 A 7/1980 Ugon  
 4,225,758 A 9/1980 Konou et al.  
 4,297,569 A 10/1981 Files  
 4,317,957 A 3/1982 Sendrow  
 4,326,125 A 4/1982 Files  
 D265,049 S 6/1982 Flies  
 4,333,328 A 6/1982 Platt  
 4,355,856 A 10/1982 Porter  
 4,379,966 A 4/1983 Flies  
 4,420,794 A 12/1983 Anderson  
 4,432,218 A 2/1984 Hoener  
 4,436,993 A 3/1984 Files  
 4,448,466 A 5/1984 Porter  
 D274,126 S 6/1984 Flies  
 4,461,525 A 7/1984 Griffin  
 4,463,218 A 7/1984 Suzuki  
 4,466,680 A 8/1984 Sakai et al.  
 D278,836 S 5/1985 Flies  
 4,522,456 A 6/1985 Wehrmacher  
 D279,586 S 7/1985 Flies  
 4,549,076 A 10/1985 Flies  
 4,572,679 A 2/1986 Dorr  
 4,578,573 A 3/1986 Flies et al.  
 4,620,088 A 10/1986 Flies et al.  
 4,631,943 A 12/1986 Hoener  
 4,659,915 A 4/1987 Flies  
 4,663,952 A 5/1987 Gelhard  
 D291,897 S 9/1987 Flies  
 4,752,679 A 6/1988 Wehrmacher  
 4,791,257 A 12/1988 Frey et al.  
 D302,238 S 7/1989 Kopu  
 4,924,686 A 5/1990 Vonlanthen  
 4,943,708 A 7/1990 Simmons et al.  
 4,947,662 A 8/1990 Imedio  
 D321,691 S 11/1991 Brenda et al.  
 D322,387 S 12/1991 Bailey  
 5,073,703 A 12/1991 Wehrmacher  
 5,157,244 A 10/1992 Mroczkowski et al.  
 D332,045 S 12/1992 Moore  
 5,186,031 A 2/1993 Janssen et al.  
 5,195,341 A 3/1993 Nieuwkoop  
 5,204,663 A 4/1993 Lee  
 5,109,972 A 6/1993 Van Horn et al.  
 5,250,986 A 10/1993 Axten et al.  
 D345,686 S 4/1994 Boehner  
 5,337,588 A 8/1994 Chhatwal  
 5,422,634 A 6/1995 Okubo  
 5,432,510 A 7/1995 Matthews  
 5,507,162 A 4/1996 Chhatwal  
 5,526,662 A 6/1996 Diekoff et al.  
 D375,299 S \* 11/1996 Fekete et al. .... D14/433  
 5,625,349 A 4/1997 Disbrow et al.  
 5,632,168 A 5/1997 Yano  
 5,685,182 A 11/1997 Chhatwal  
 D388,722 S 1/1998 Wilson  
 5,758,529 A 6/1998 Chhatwal  
 5,831,520 A 11/1998 Stephan  
 5,831,827 A \* 11/1998 Fekete et al. .... 361/728  
 5,834,747 A 11/1998 Cooper  
 5,836,187 A 11/1998 Janssen et al.  
 5,841,637 A 11/1998 Chhatwal  
 5,923,264 A 7/1999 Lavelle et al.  
 5,949,047 A 9/1999 Abe et al.  
 6,000,258 A 12/1999 Lesko  
 6,035,677 A 3/2000 Janssen et al.

6,078,265 A 6/2000 Bonder et al.  
 6,092,404 A 7/2000 Chhatwal  
 6,218,955 B1 4/2001 Conklin  
 6,227,019 B1 5/2001 Chhatwal  
 6,296,190 B1 \* 10/2001 Rendleman ..... 235/492  
 6,354,122 B1 3/2002 Snoke  
 6,384,709 B2 5/2002 Mellen et al.  
 D460,012 S 7/2002 Prouix et al.  
 6,414,586 B1 7/2002 Yoshizawa  
 6,425,084 B1 7/2002 Rallis et al.  
 6,486,793 B1 11/2002 Buccola  
 6,604,087 B1 8/2003 Kolls  
 D502,418 S 3/2005 Copen  
 D512,060 S \* 11/2005 Wang et al. .... D14/480.1  
 D518,030 S \* 3/2006 Lin ..... D14/218  
 D519,099 S 4/2006 Liu et al.  
 7,109,863 B2 9/2006 Morrison  
 D532,783 S \* 11/2006 Yu ..... D14/480.3  
 D534,414 S 1/2007 Stifle et al.  
 7,158,008 B2 1/2007 Waring  
 D540,749 S 4/2007 Kaule  
 D551,215 S 9/2007 Lee et al.  
 D552,613 S 10/2007 Tan  
 D557,588 S 12/2007 Stifle et al.  
 D559,249 S 1/2008 Takei  
 7,407,390 B1 8/2008 Ni  
 D587,719 S 3/2009 Tate et al.  
 D594,871 S 6/2009 Ma  
 D599,795 S 9/2009 Lindley  
 7,597,250 B2 10/2009 Finn  
 D603,601 S 11/2009 Ohta et al.  
 D626,022 S 10/2010 Sayegh et al.  
 D626,963 S \* 11/2010 Kim ..... D14/420  
 2002/0025062 A1 2/2002 Black  
 2003/0184432 A1 10/2003 Waring et al.  
 2003/0195585 A1 \* 10/2003 Gruzdowich et al. .... 607/45  
 2006/0186990 A1 \* 8/2006 Yamamoto et al. .... 340/5.61  
 2006/0219776 A1 \* 10/2006 Finn ..... 235/380  
 2006/0246784 A1 11/2006 Aekins et al.  
 2008/0074235 A1 3/2008 Wong et al.  
 2008/0304712 A1 \* 12/2008 Rowe et al. .... 382/115  
 2010/0193583 A1 8/2010 Tartavuli et al.

FOREIGN PATENT DOCUMENTS

DE 36 20 755 12/1987  
 DE 43 30 017 3/1995  
 EP 0 367 433 A1 5/1990  
 EP 0 793 188 9/1997  
 EP 1 213 417 6/2002  
 FR 1 321 529 2/1962  
 FR 2 146 802 3/1973  
 FR 2363837 3/1978  
 FR 2 654 556 5/1991  
 FR 2 723 655 2/1996  
 FR 2 775 373 8/1999  
 GB 1 427 825 3/1973  
 GB 2 073 808 10/1981  
 SU 639056 12/1978  
 WO WO 83/00976 3/1983  
 WO WO 98/34218 8/1998  
 WO WO 01/42598 6/2001  
 WO WO 02/09311 1/2002  
 WO WO 2009/012495 1/2009  
 WO WO 2009/029864 3/2009  
 WO WO 2010/088556 A1 8/2010

OTHER PUBLICATIONS

Lubachevsky, Boris D. et al. "Minimum Perimeter Rectangles That Enclose Congruent Non-Overlapping Circles," *Discrete Mathematics*, vol. 309, pp. 1947-1962 (2009).  
 Weisstein, Eric W. "Circle Packing," *MathWorld*—A Wolfram Web Resource, <http://mathworld.wolfram.com/CirclePacking.html>. [Retrieved on Jul. 9, 2011.] Retrieved from the Internet: <URL: <http://mathworld.wolfram.com/CirclePacking.html>>.  
 Supplemental European Search Report dated May 27, 2011, for corresponding EP Application No. 08782145.0.  
 Advanced Portable Information Products, *Datakey Brochure*, 1999.



DataTic™ *Datakey Brochure*, 2000.

“2Kbit Read/Write with Anticollision Contactless Identification Device EM4056”, *EM Microelectronic-Marin SA*, Informational Brochure, 13 pgs., 2001.

“Read Only Contactless Identification Device H4102”, Swatch Group, 6 pgs., 2000.

“Read/Write Transponder Device Family”, ATMEL Wireless &  $\mu$ C, 2 pgs., 2001.

“Read/Write IDIC Micromodule with 1 Kbit Memory T5552”, ATMEL Wireless &  $\mu$ C, 12 pgs., May 1, 2001.

“Standard R/W/IDIC with Integrated Capacitance T554”, ATMEL Wireless &  $\mu$ C, 19 pgs., Sep. 3, 2001.

“Multifunctional 330-bit Read/Write RF-Identification IC T557”, ATMEL, 24 pgs., Dec. 11, 2001.

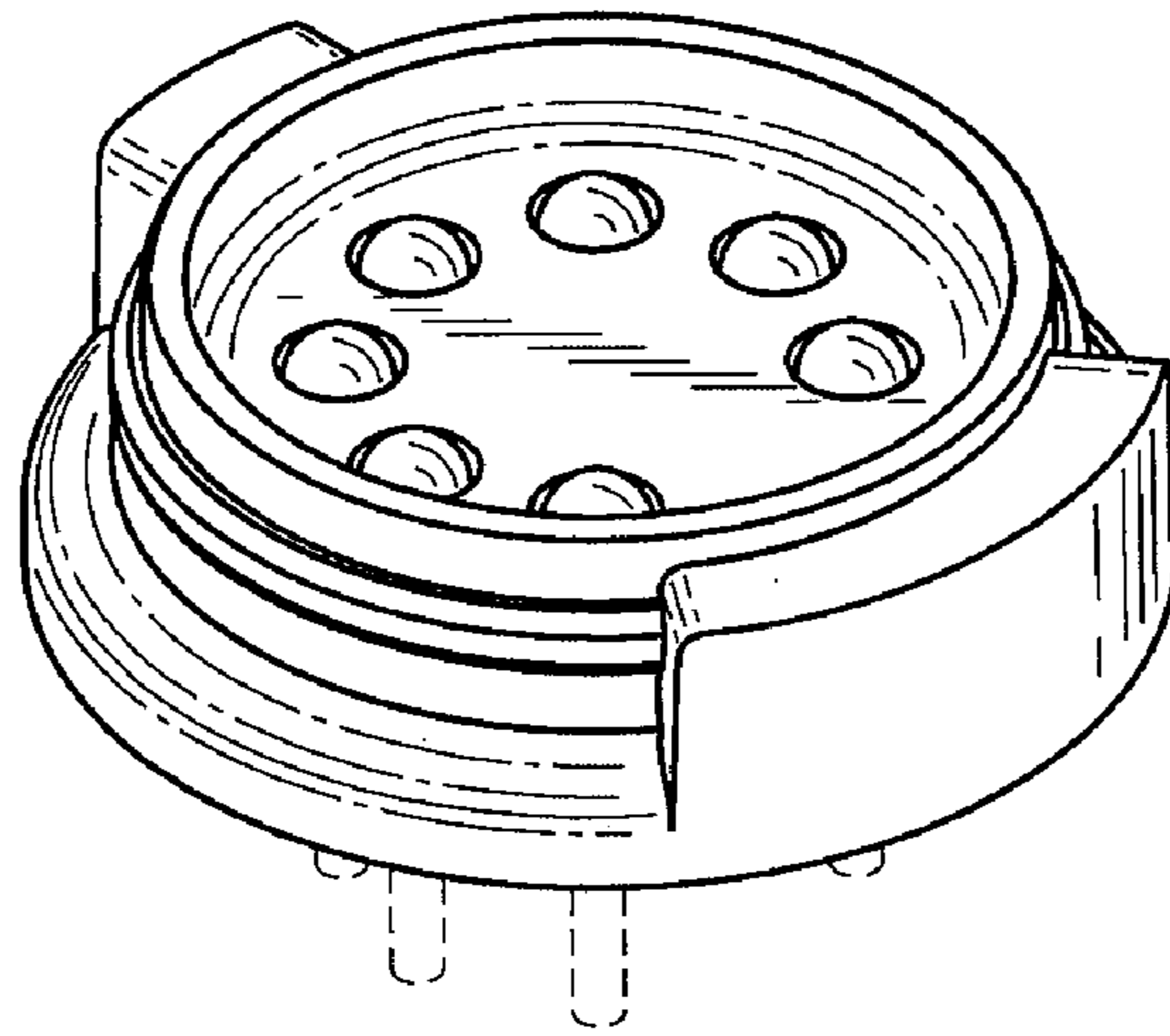
iDTAG, Gang Programmer for Datakey Key/Slim Modules (SPI, Microwire & IIC Bus), 6 pgs., Nov. 29, 2001.

DataKey Guardian “Marina Access Control”, *Datakey Brochure*, (2 pgs.), Mar. 29, 2002.

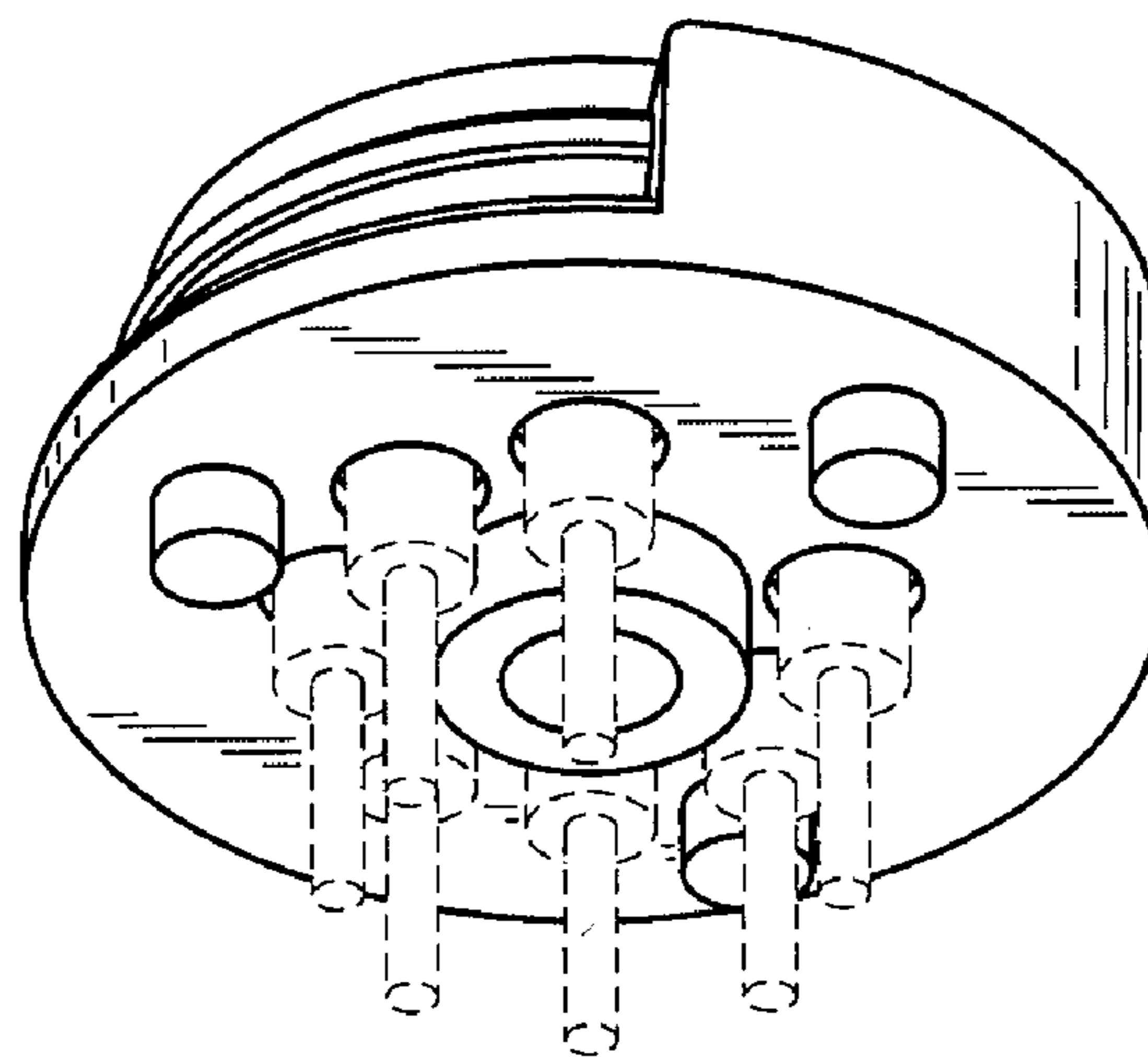
DataKey QuikPay, *DataKey Brochure* (2 pgs.), Mar. 29, 2002.

Philps. Appendix RF Manual 6<sup>th</sup> Edition, document order No. 9397 750 15125, May 2005.

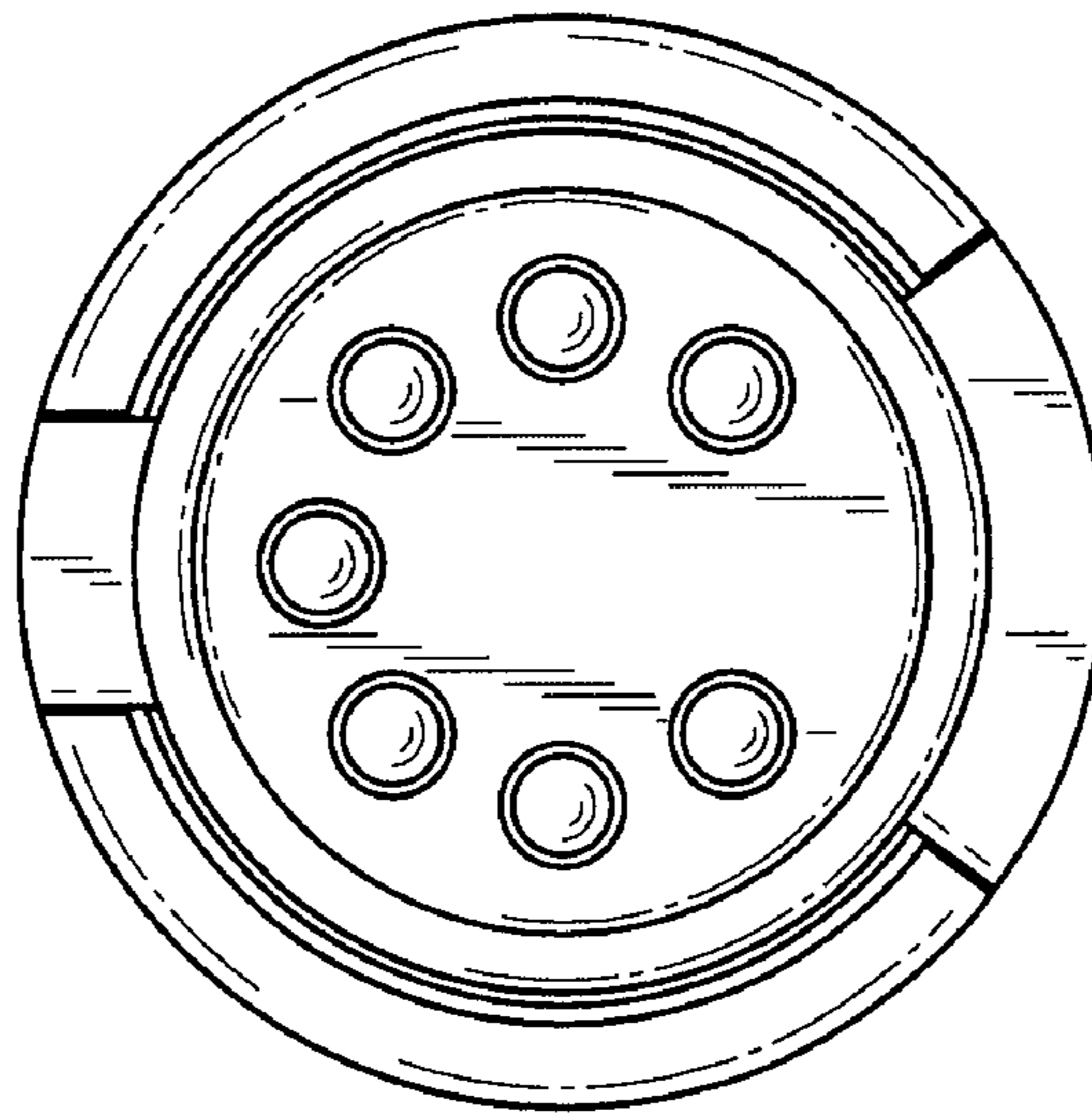
\* cited by examiner



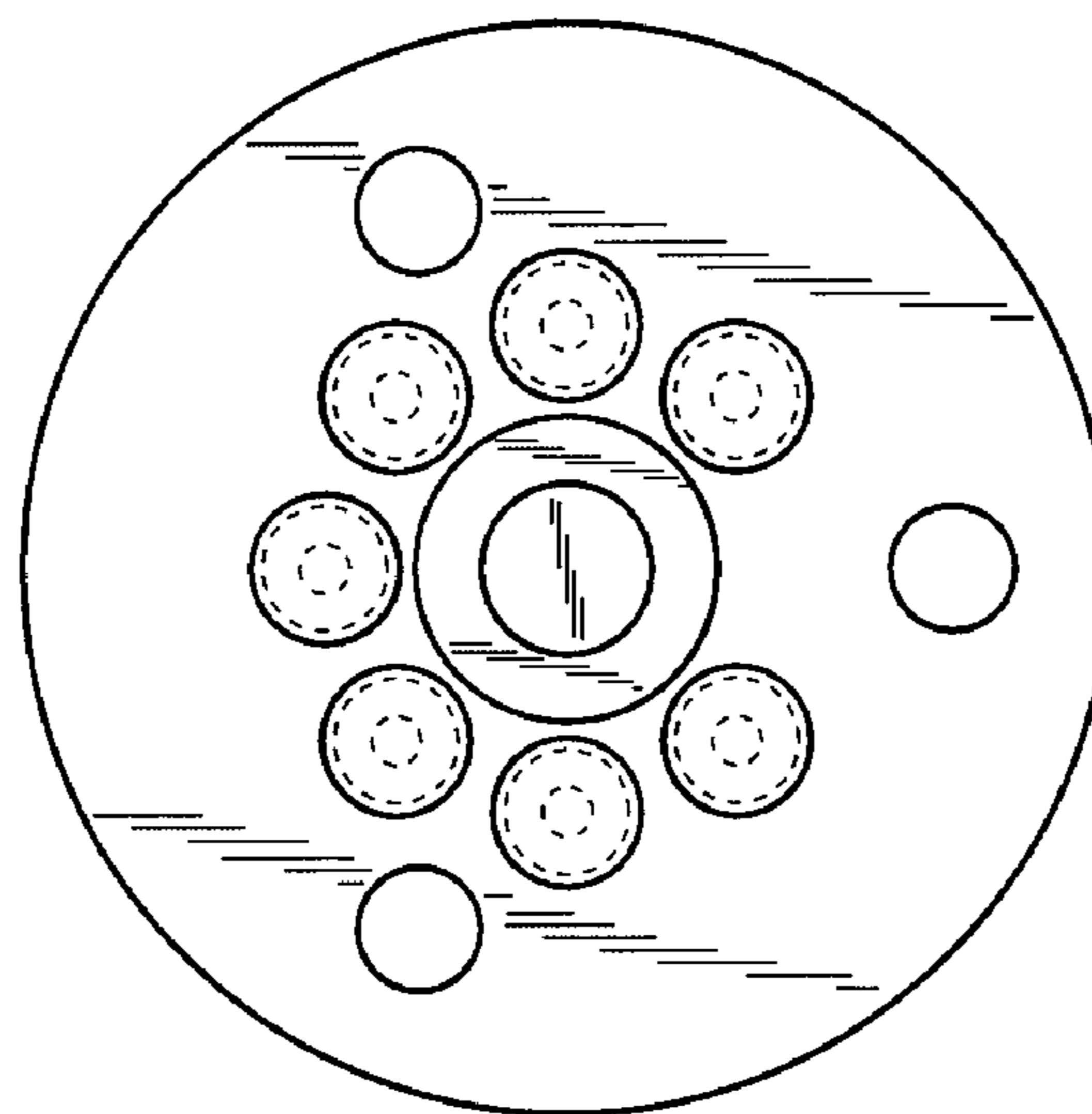
**Fig. 1**



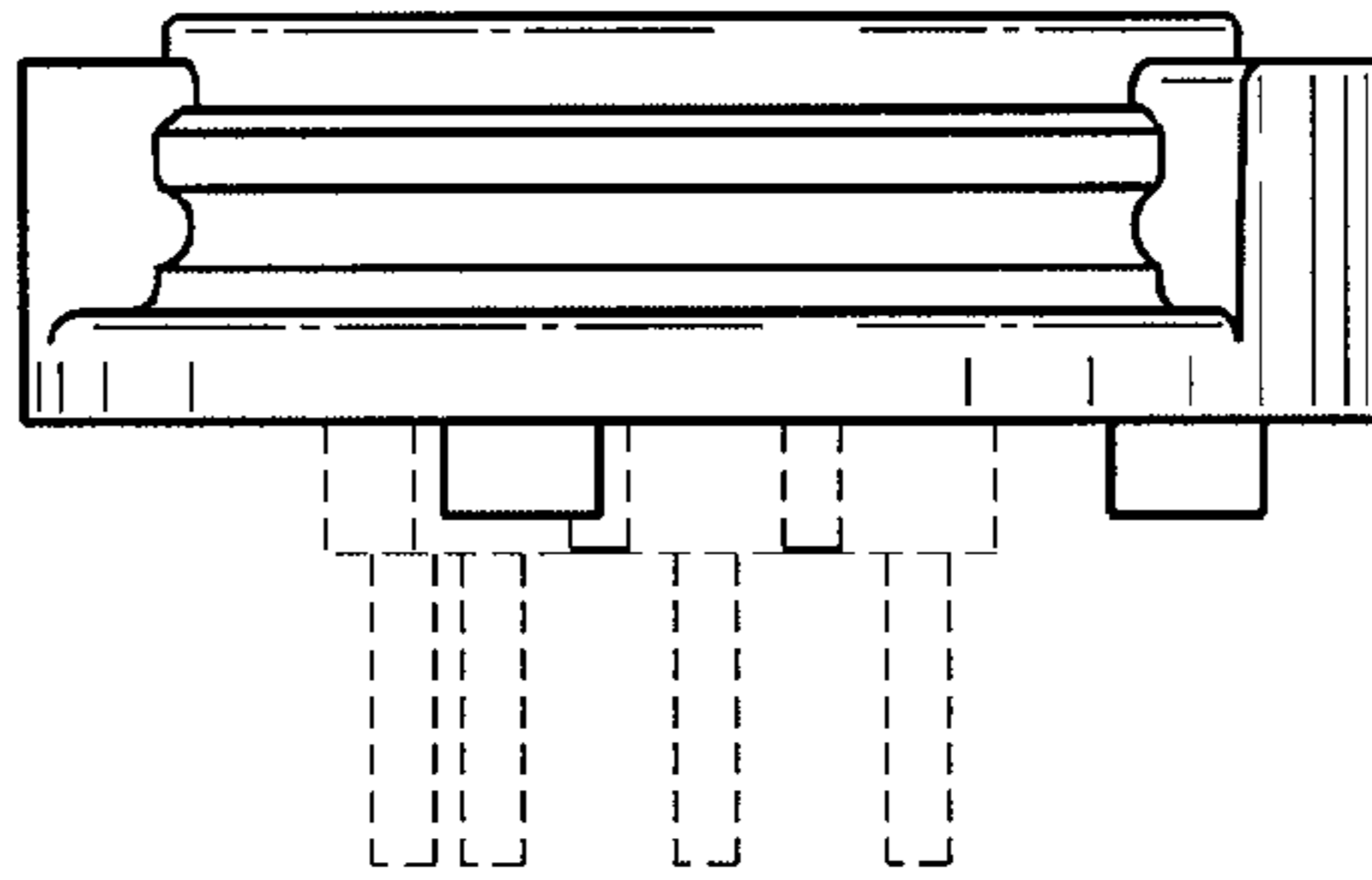
**Fig. 2**



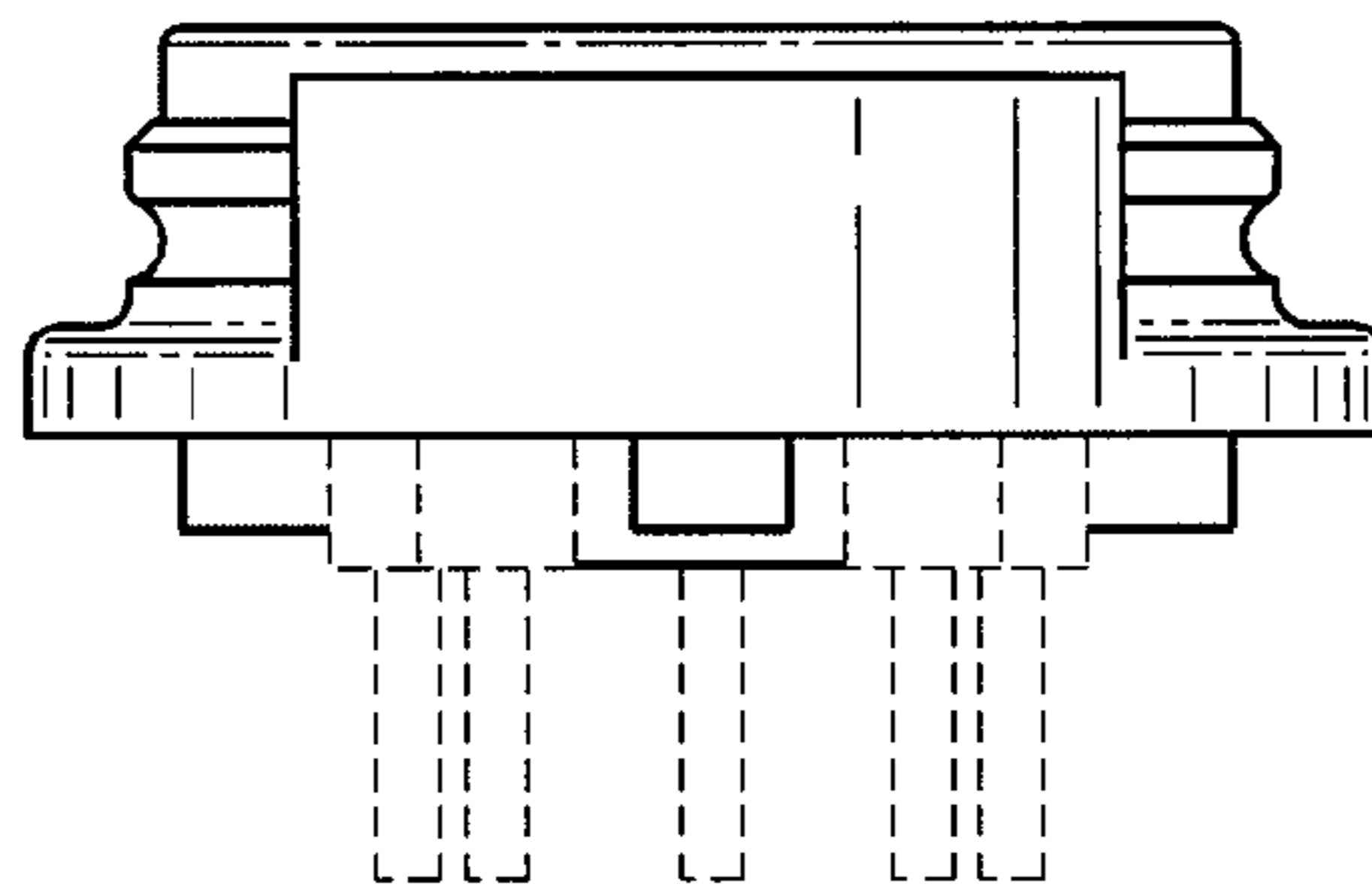
**Fig. 3**



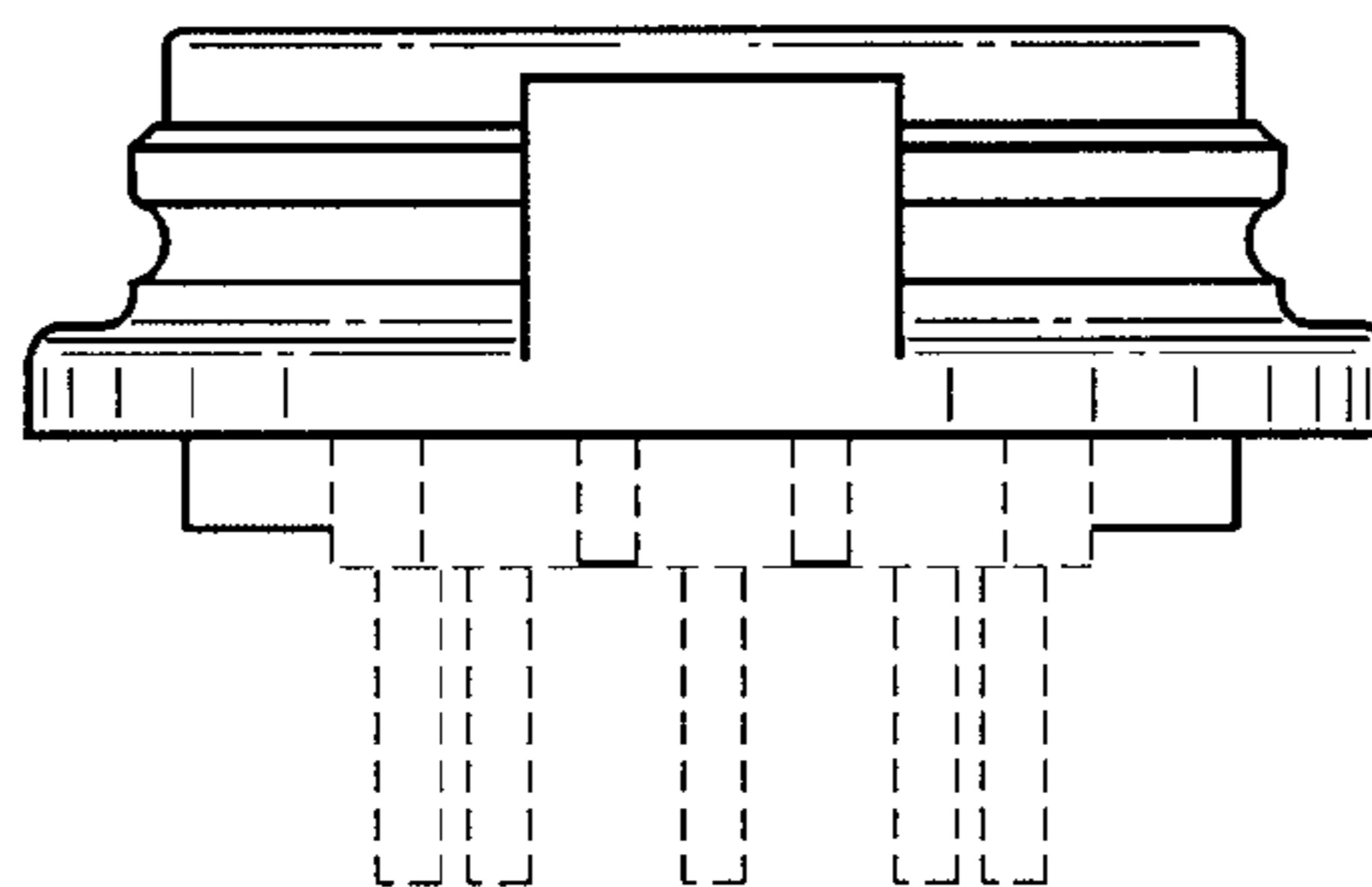
**Fig. 4**



**Fig. 5**



**Fig. 6**



**Fig. 7**