



US00D649892S

(12) **United States Design Patent**
Vidal et al.

(10) **Patent No.:** **US D649,892 S**
(45) **Date of Patent:** **** Dec. 6, 2011**

(54) **HAIR MEASURING ASSEMBLY**

FOREIGN PATENT DOCUMENTS

(75) Inventors: **Michael Vidal**, Miami, FL (US); **Ravi Sawhney**, Thousand Oaks, CA (US); **Kurt Botsai**, Thousand Oaks, CA (US); **Lance Hussey**, Thousand Oaks, CA (US); **John Vernon**, Thousand Oaks, CA (US); **Leah Thomas**, Thousand Oaks, CA (US)

WO WO 2005/102164 A1 11/2005
WO WO 2010/110858 A1 9/2010

* cited by examiner

Primary Examiner — Antoine D Davis
(74) *Attorney, Agent, or Firm* — Malloy & Malloy, P.A.

(73) Assignee: **Iberius LLC.**, Miami, FL (US)

(**) Term: **14 Years**

(21) Appl. No.: **29/364,945**

(22) Filed: **Jun. 30, 2010**

(51) **LOC (9) Cl.** **10-04**

(52) **U.S. Cl.** **D10/70**

(58) **Field of Classification Search** D10/70;
33/512, 784; 600/562; 606/205

See application file for complete search history.

(56) **References Cited**

U.S. PATENT DOCUMENTS

4,170,827	A *	10/1979	Katz et al.	600/587
6,993,851	B2	2/2006	Cohen	
7,076,886	B2	7/2006	John et al.	
7,131,208	B2	11/2006	Cohen	
RE41,046	E	12/2009	Cohen	
2006/0259070	A1	11/2006	Livneh	
2010/0256519	A1	10/2010	Vidal et al.	

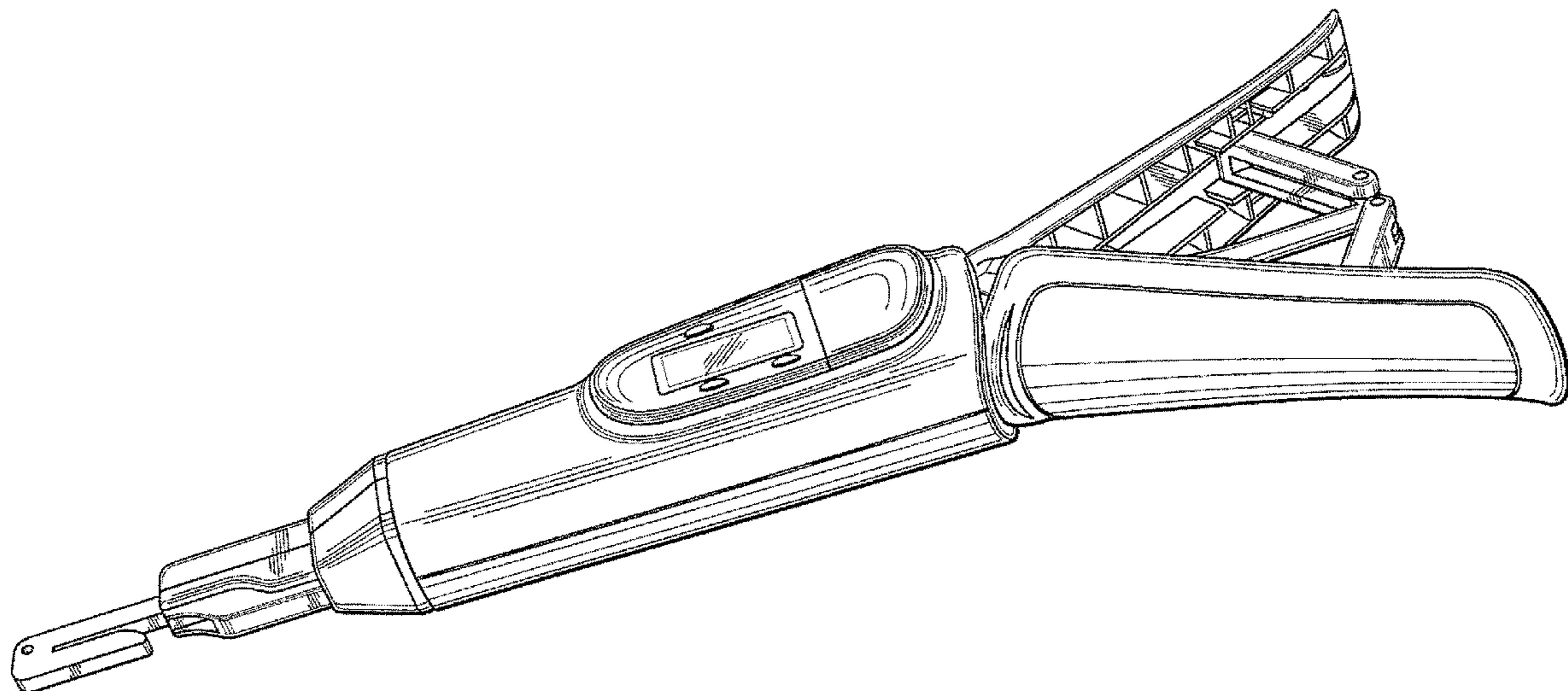
(57) **CLAIM**

The ornamental design for hair measuring assembly, as shown and described.

DESCRIPTION

FIG. 1 is a front perspective view illustrating our inventive new design for a hair measuring assembly;
FIG. 2 is a front view thereof;
FIG. 3 is a left end view thereof;
FIG. 4 is a left side view thereof;
FIG. 5 is a right end view thereof;
FIG. 6 is a right side view thereof;
FIG. 7 is a rear view thereof;
FIG. 8 is a rear perspective view illustrating our inventive new design for a hair measuring assembly; and,
FIG. 9 is a front view illustrating our inventive new design in an operative position, namely, with the handles depressed for use of the design, which differ from the illustrations of FIGS. 1 through 8.

1 Claim, 7 Drawing Sheets



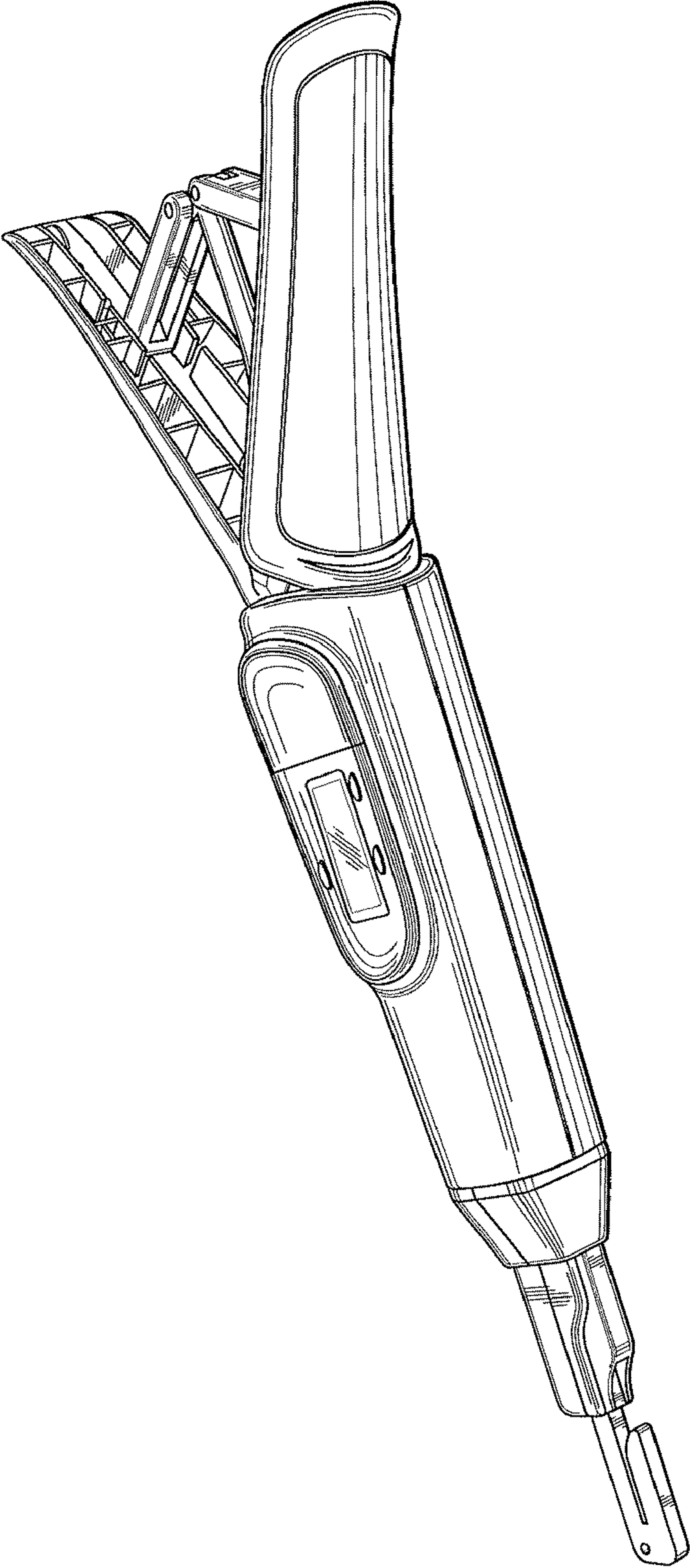


FIG. 1

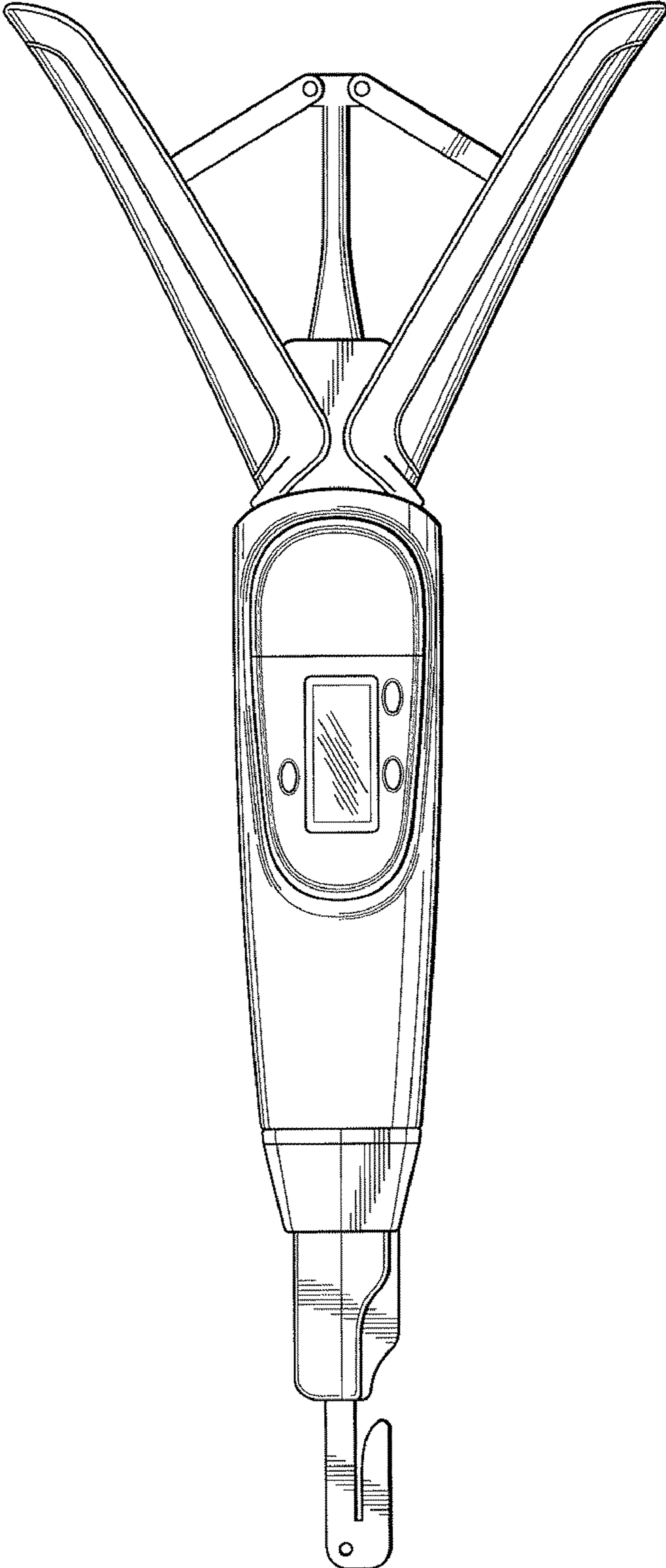


FIG. 2

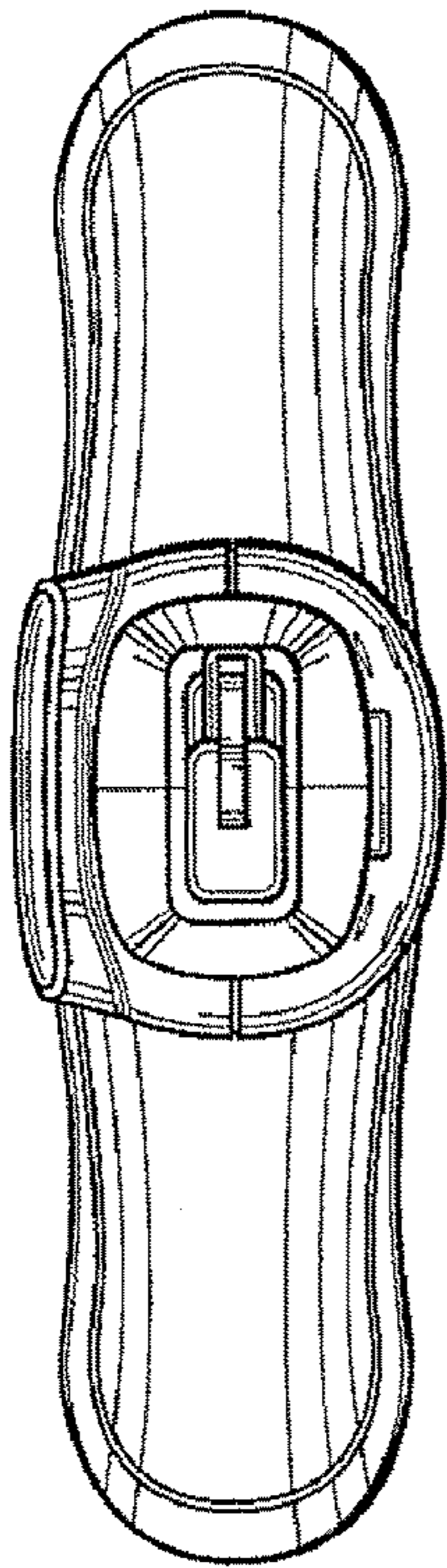


FIG. 3

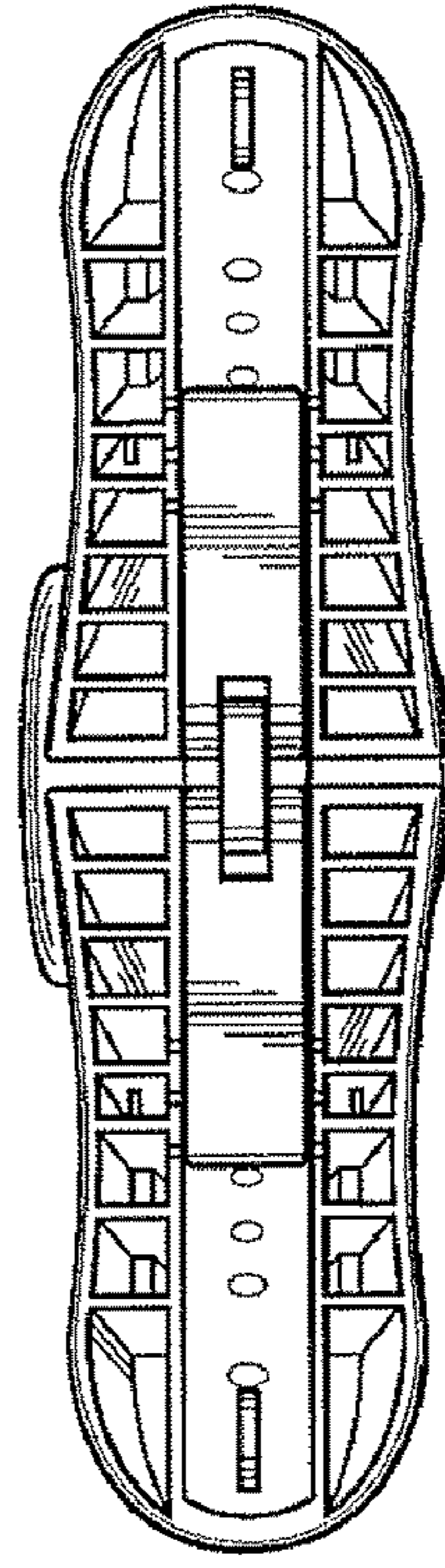


FIG. 5

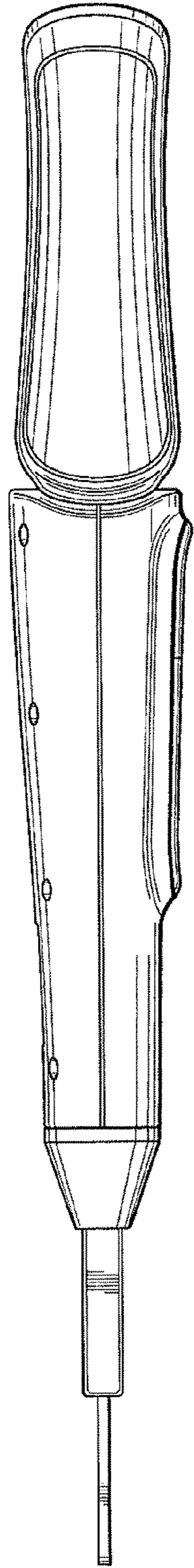


FIG. 4

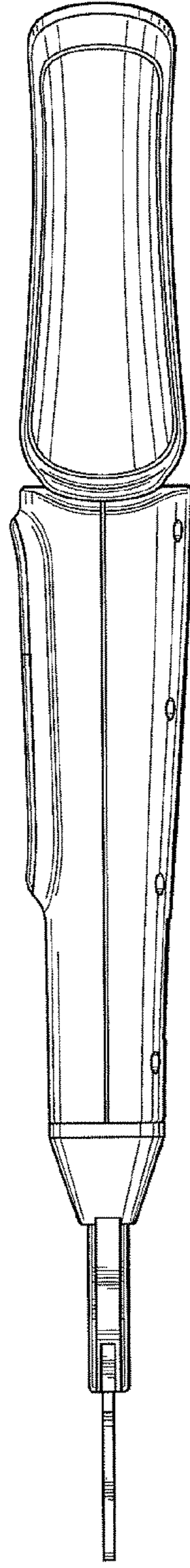


FIG. 6

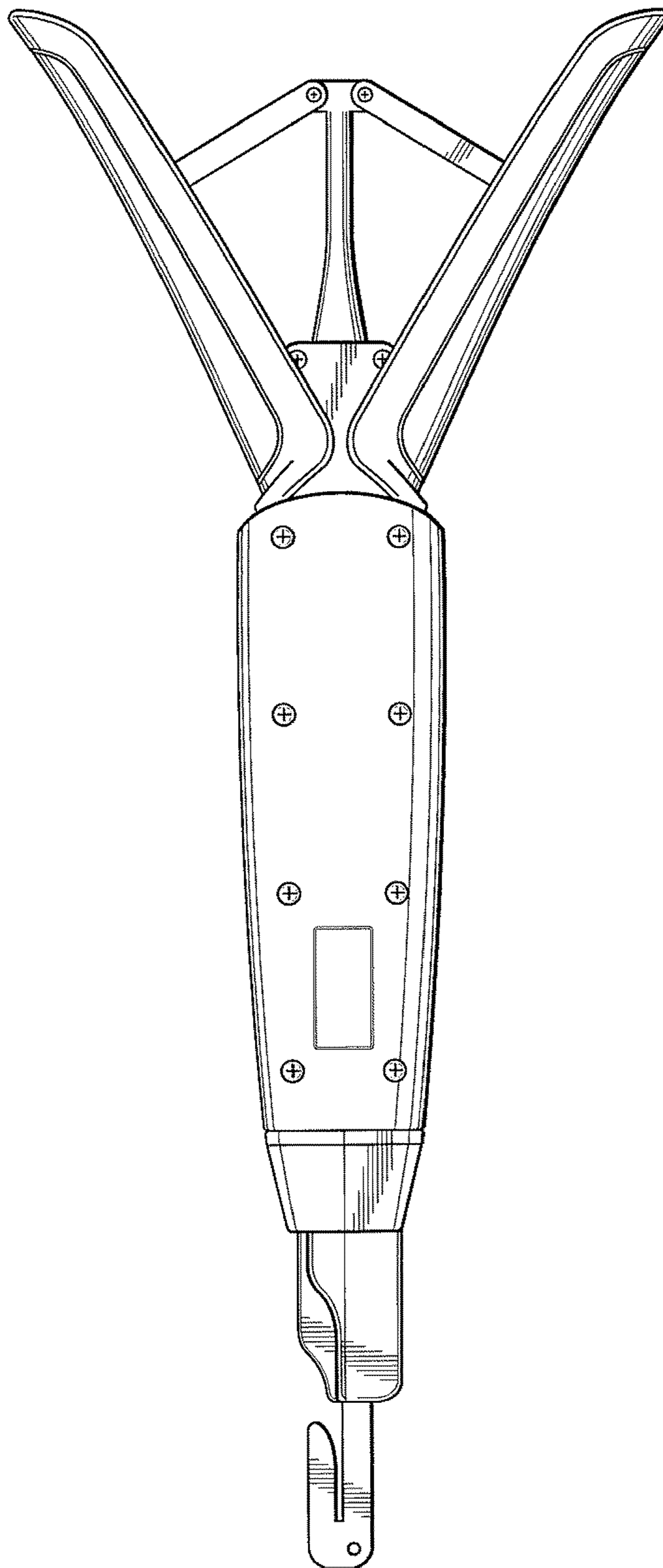


FIG. 7

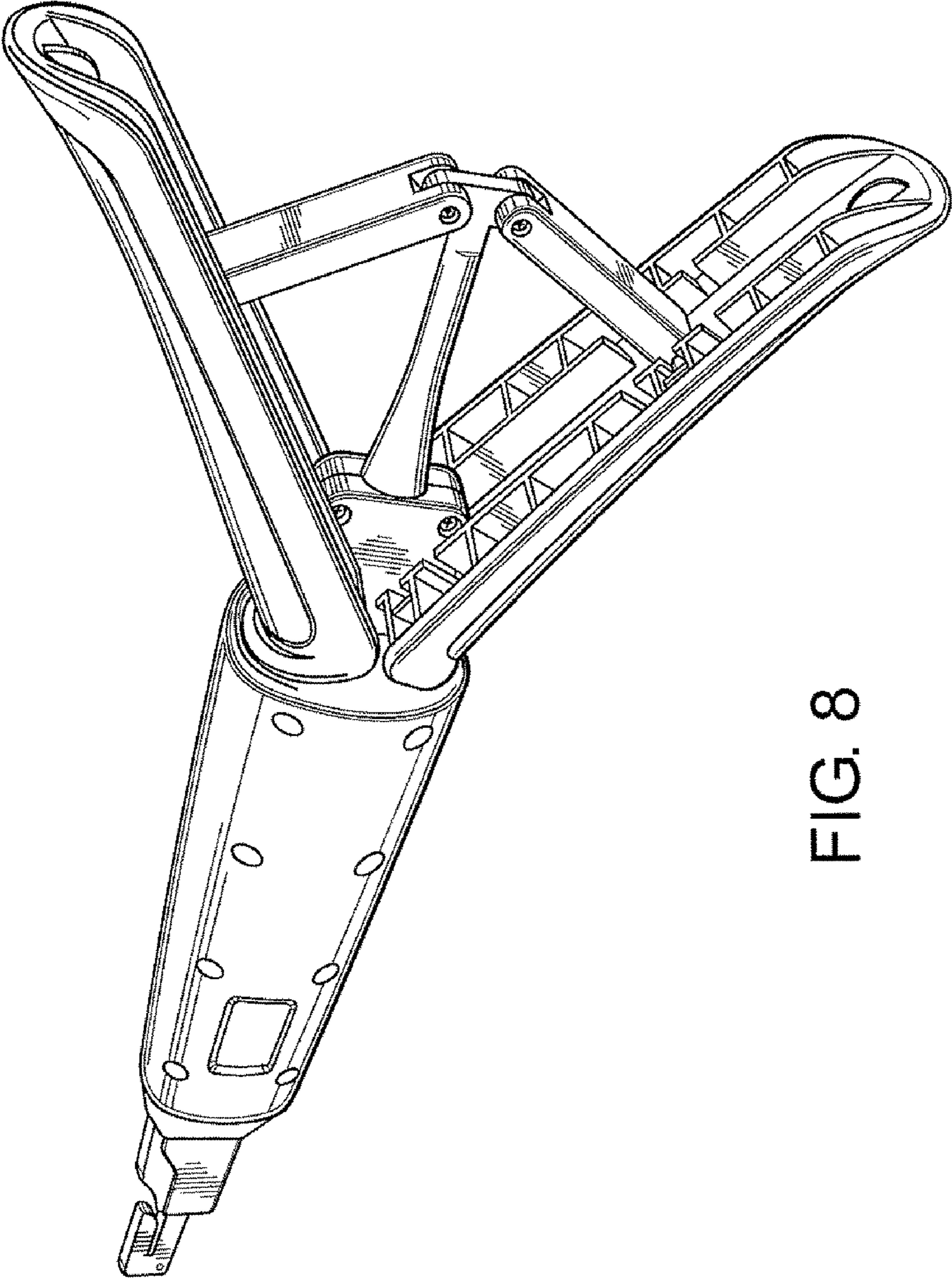


FIG. 8

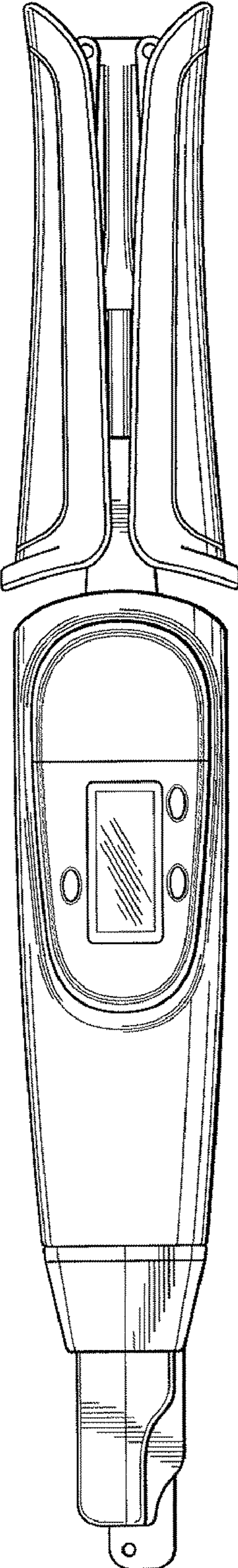


FIG. 9