



US00D649890S

(12) **United States Design Patent**
Favre

(10) **Patent No.:** **US D649,890 S**
(45) **Date of Patent:** **** Dec. 6, 2011**

(54) **WATCH CASE**
(75) **Inventor:** **Lionel Favre**, Ambilly (FR)
(73) **Assignee:** **Manufacture Roger Dubuis S.A.**,
Meyrin (CH)
(**) **Term:** **14 Years**
(21) **Appl. No.:** **29/373,941**
(22) **Filed:** **Jun. 13, 2011**

D382,815 S *	8/1997	Riley	D10/30
D415,693 S *	10/1999	Kennedy	D10/30
D547,212 S *	7/2007	Dias	D10/39
D555,517 S *	11/2007	Dias	D10/38
D559,126 S *	1/2008	Avranches	D10/38
D586,668 S *	2/2009	Dias	D10/38
D607,346 S *	1/2010	Bove et al.	D10/38
D608,223 S *	1/2010	Salanitro	D10/38
D617,213 S *	6/2010	Dolce et al.	D10/38
D633,812 S *	3/2011	Yurman	D10/32
D634,650 S *	3/2011	Avranches	D10/38
D636,685 S *	4/2011	Avranches	D10/38

* cited by examiner

(30) **Foreign Application Priority Data**
Dec. 17, 2010 (WO) DM/075 288
(51) **LOC (9) Cl.** **10-02**
(52) **U.S. Cl.** **D10/38**
(58) **Field of Classification Search** D10/30-39;
368/276, 281, 282, 285, 294, 295
See application file for complete search history.

Primary Examiner — Lucy Lieberman
(74) *Attorney, Agent, or Firm* — Clifford W. Browning;
Krieg DeVault LLP

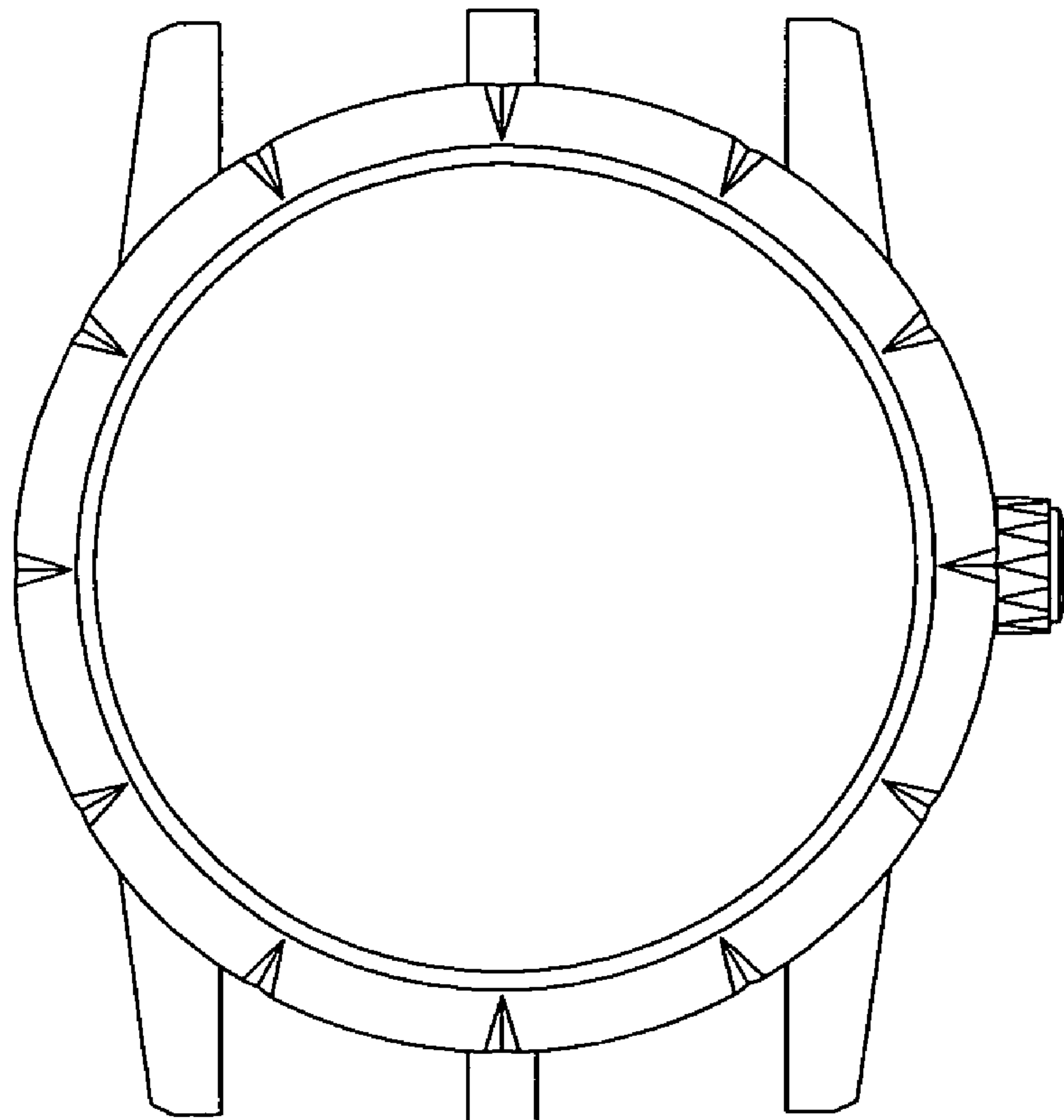
(57) **CLAIM**
The ornamental design for a watch case, as shown and described.

DESCRIPTION

FIG. 1 is a top view of the watch case of the present invention.
FIG. 2 is a bottom view of the watch case of FIG. 1.
FIG. 3 is a right side view of the watch case of FIG. 1.
FIG. 4 is a top end view of the watch case of FIG. 2.
FIG. 5 is a left side view of the watch case of FIG. 1.
FIG. 6 is a bottom end view of the watch case of FIG. 1; and,
FIG. 7 is a perspective view of the watch case of FIG. 1.

(56) **References Cited**
U.S. PATENT DOCUMENTS
3,431,722 A * 3/1969 Haas 235/61 R
3,475,902 A * 11/1969 Wessel 368/10
D339,751 S * 9/1993 Besson D10/39

1 Claim, 1 Drawing Sheet



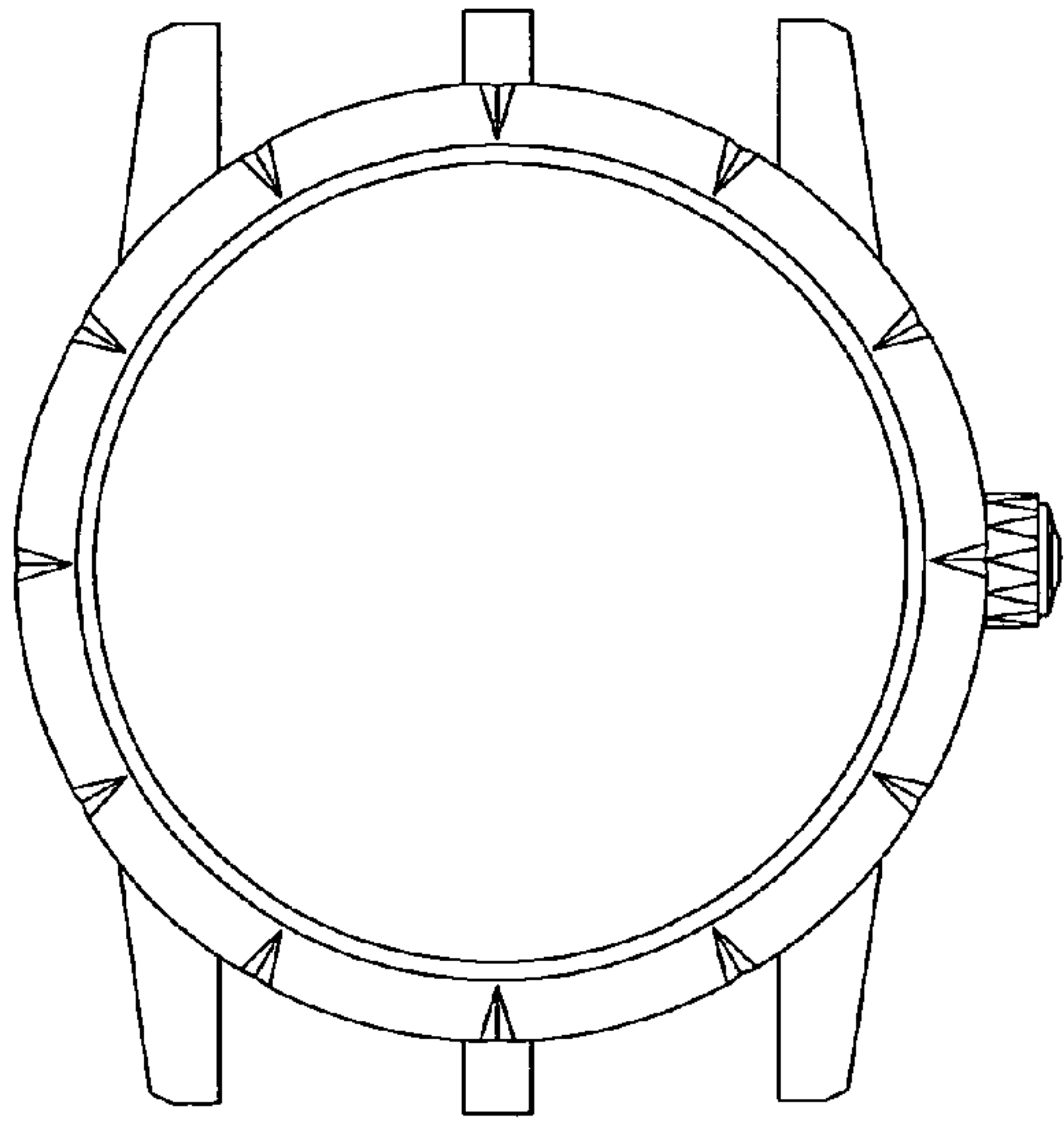


fig. 1

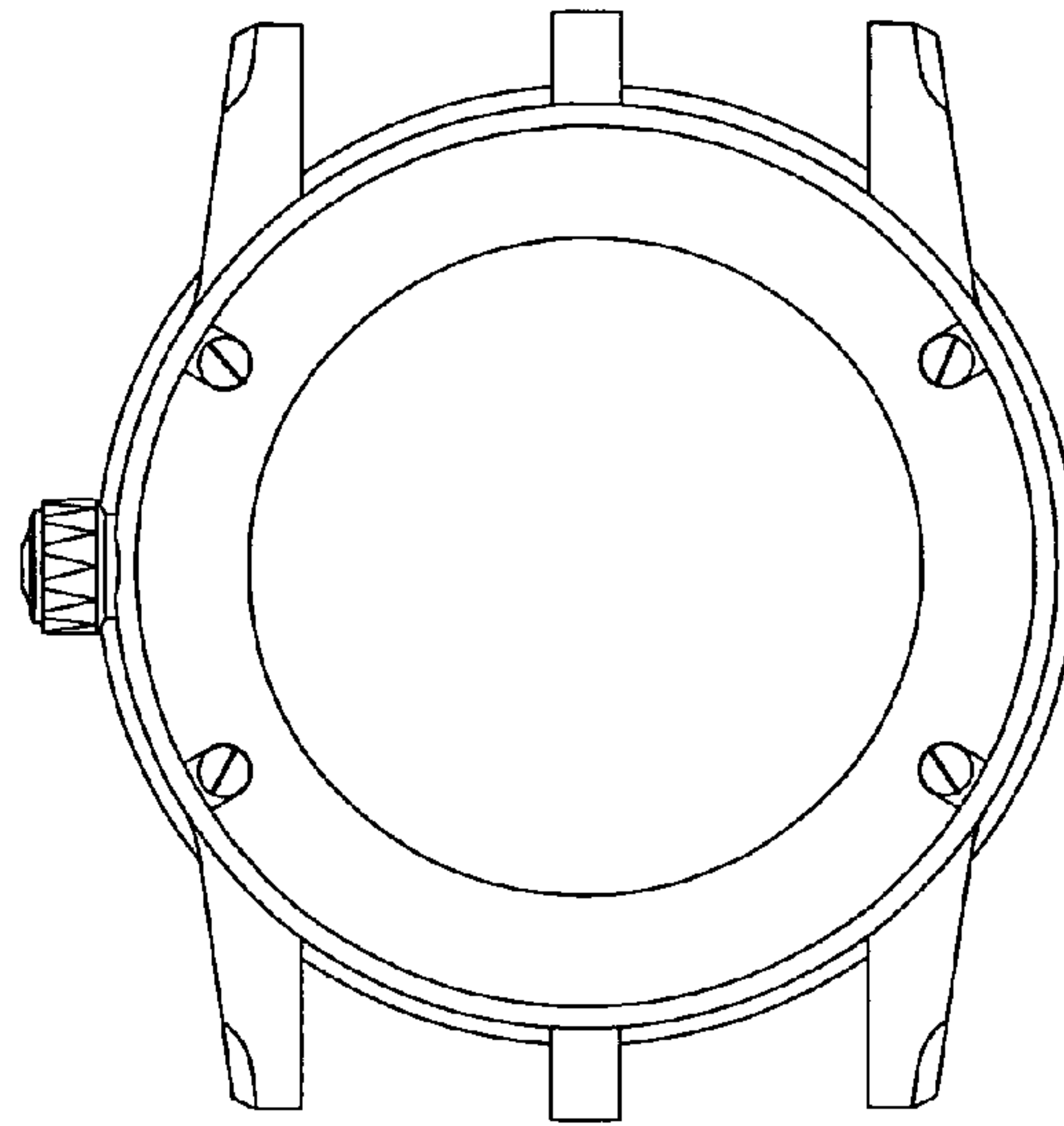


fig. 2

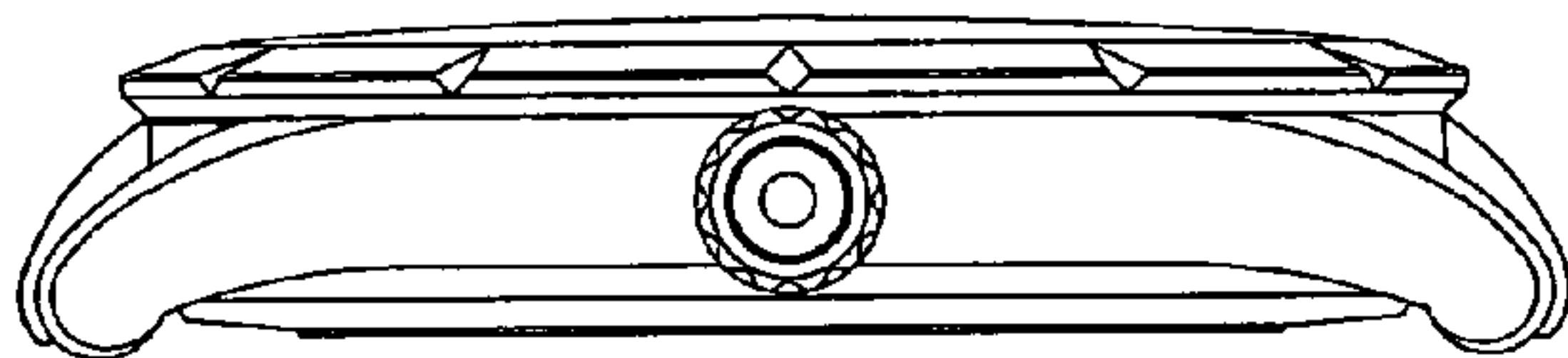


fig. 3

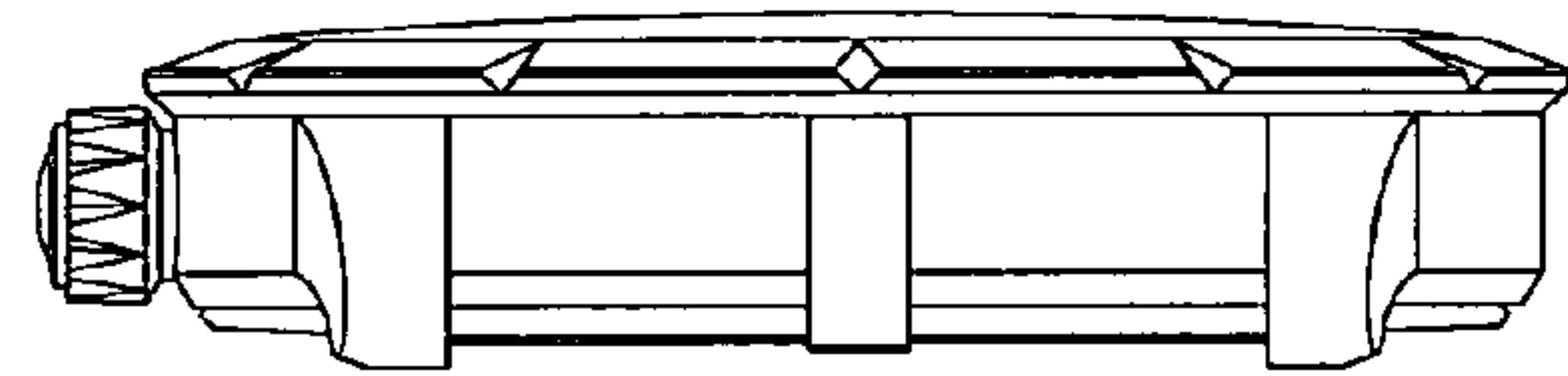


fig. 4

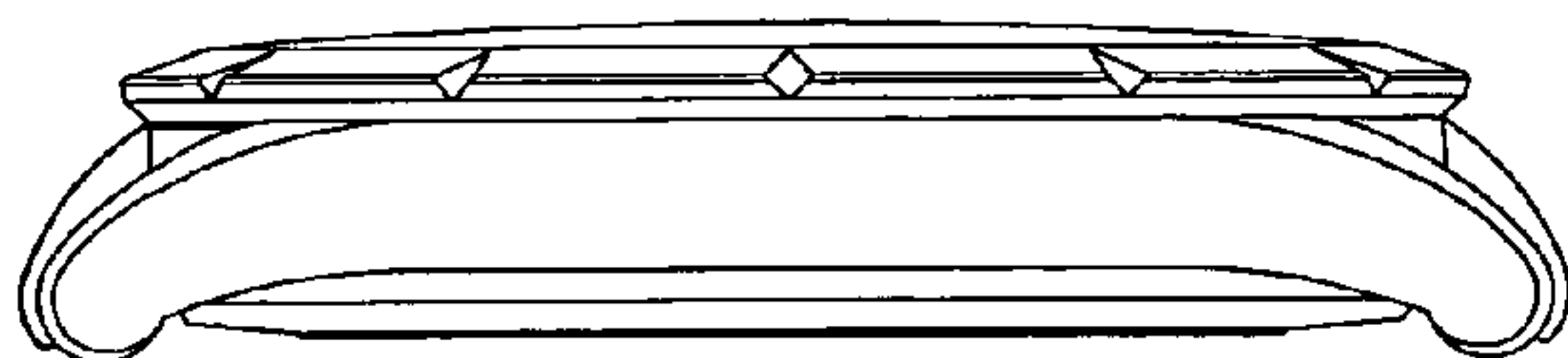


fig. 5

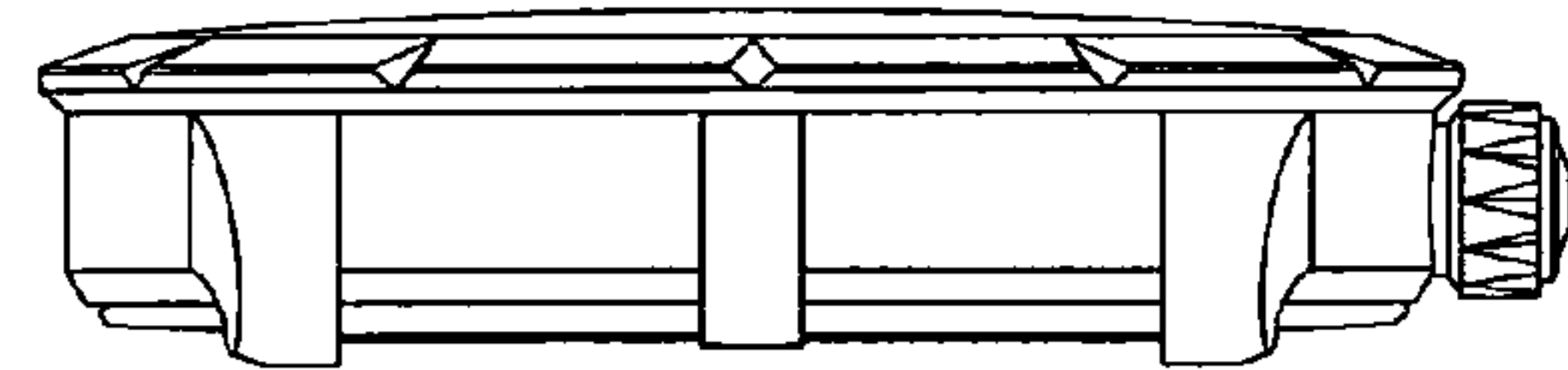


fig. 6

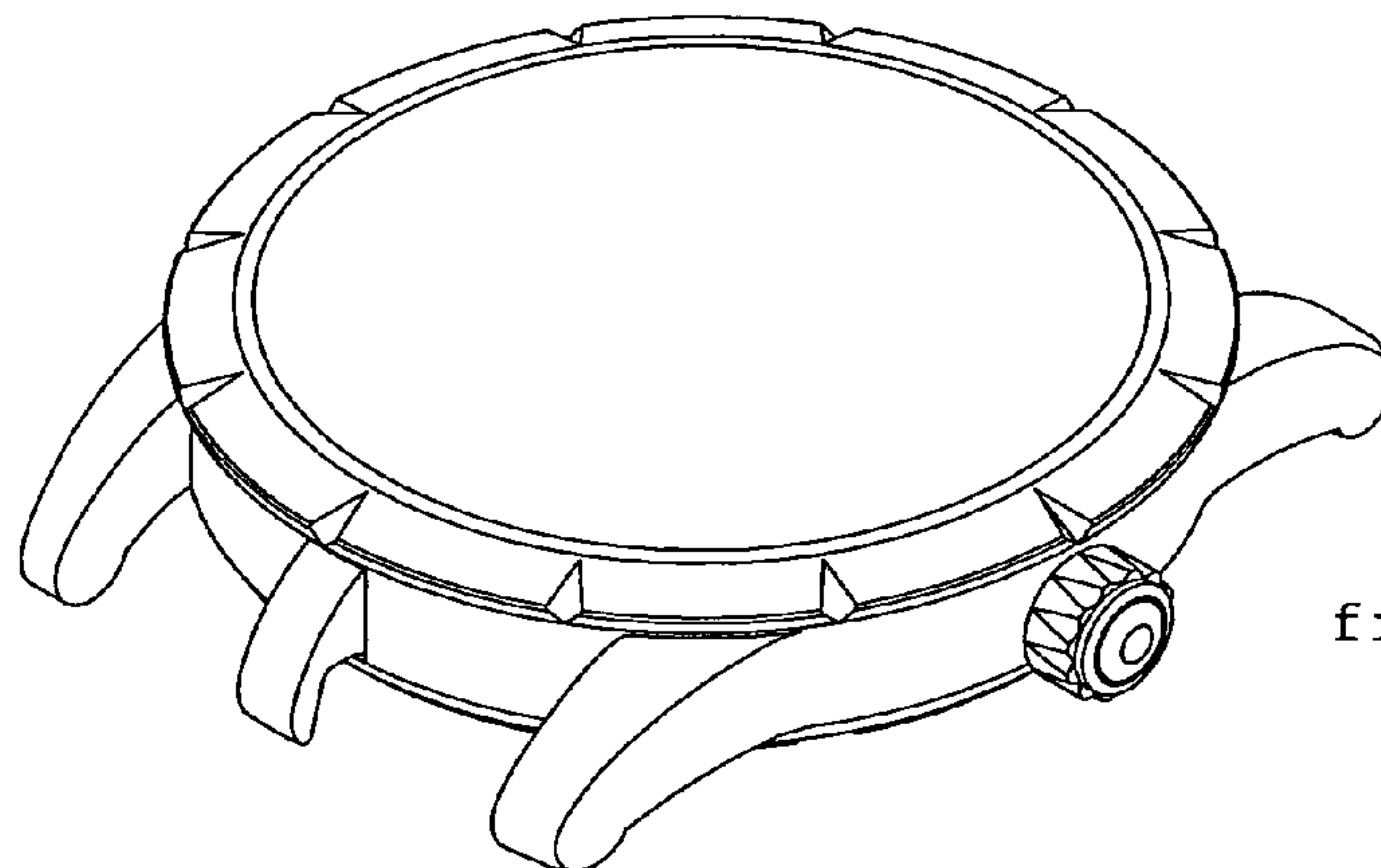


fig. 7