



US00D649887S

(12) **United States Design Patent**  
**Diss**

(10) **Patent No.:** **US D649,887 S**

(45) **Date of Patent:** **\*\* Dec. 6, 2011**

(54) **CONTAINER**

(75) **Inventor:** **Thomas S. Diss**, Waukesha, WI (US)

(73) **Assignee:** **Silgan Containers LLC**, Woodland Hills, CA (US)

(\*\*) **Term:** **14 Years**

(21) **Appl. No.:** **29/318,036**

(22) **Filed:** **May 12, 2008**

(51) **LOC (9) Cl.** ..... **09-02**

(52) **U.S. Cl.** ..... **D9/776**

(58) **Field of Classification Search** ..... D9/500,  
D9/502, 520, 530, 537-539, 541, 542, 763,  
D9/767, 768, 770, 772, 773, 775-783; 215/381-385;  
220/660, 662; D23/202, 204-206  
See application file for complete search history.

(56) **References Cited**

**U.S. PATENT DOCUMENTS**

D2,820 S	11/1867	Barry
D22,751 S	8/1893	Lanning
D24,991 S	12/1895	Estes
D25,941 S	8/1896	Lindgren
566,067 A	8/1896	Duck
D28,732 S	5/1898	Cook
D28,842 S	6/1898	Griffith
D38,167 S	8/1906	Wintermann
829,477 A	8/1906	Kruse
1,013,775 A	1/1912	Hoffman
D56,181 S	8/1920	Lewis
D67,869 S	7/1925	Boswell
D73,511 S	9/1927	Schrader
1,832,806 A	11/1931	Dawson
D98,420 S	2/1936	Deskey
D101,728 S	10/1936	Bennett
D120,226 S	4/1940	Lundy
D120,587 S	5/1940	Hinkins
D124,645 S	1/1941	Palmer
D124,880 S	1/1941	Teunisz
2,252,915 A	8/1941	Conill

D129,604 S	9/1941	Forgue	
D185,649 S	7/1959	Schlumbohm	
D200,443 S *	2/1965	Deegan	D34/39
3,297,194 A	1/1967	Schaper et al.	
D207,133 S	3/1967	Stenger	
3,317,110 A	5/1967	Palmer	
3,349,987 A	10/1967	Weitzner	

(Continued)

**FOREIGN PATENT DOCUMENTS**

FR 2584680 1/1987

(Continued)

**OTHER PUBLICATIONS**

U.S. Appl. No. 29/298,989, filed Dec. 17, 2007, Diss.

(Continued)

*Primary Examiner* — Stella Reid

*Assistant Examiner* — Keli L Hill

(74) *Attorney, Agent, or Firm* — Reinhart Boener Van Deuren S.C.

(57) **CLAIM**

We claim the ornamental design for a container, as shown and described.

**DESCRIPTION**

FIG. 1 is a perspective view of a container, embodying my new design;

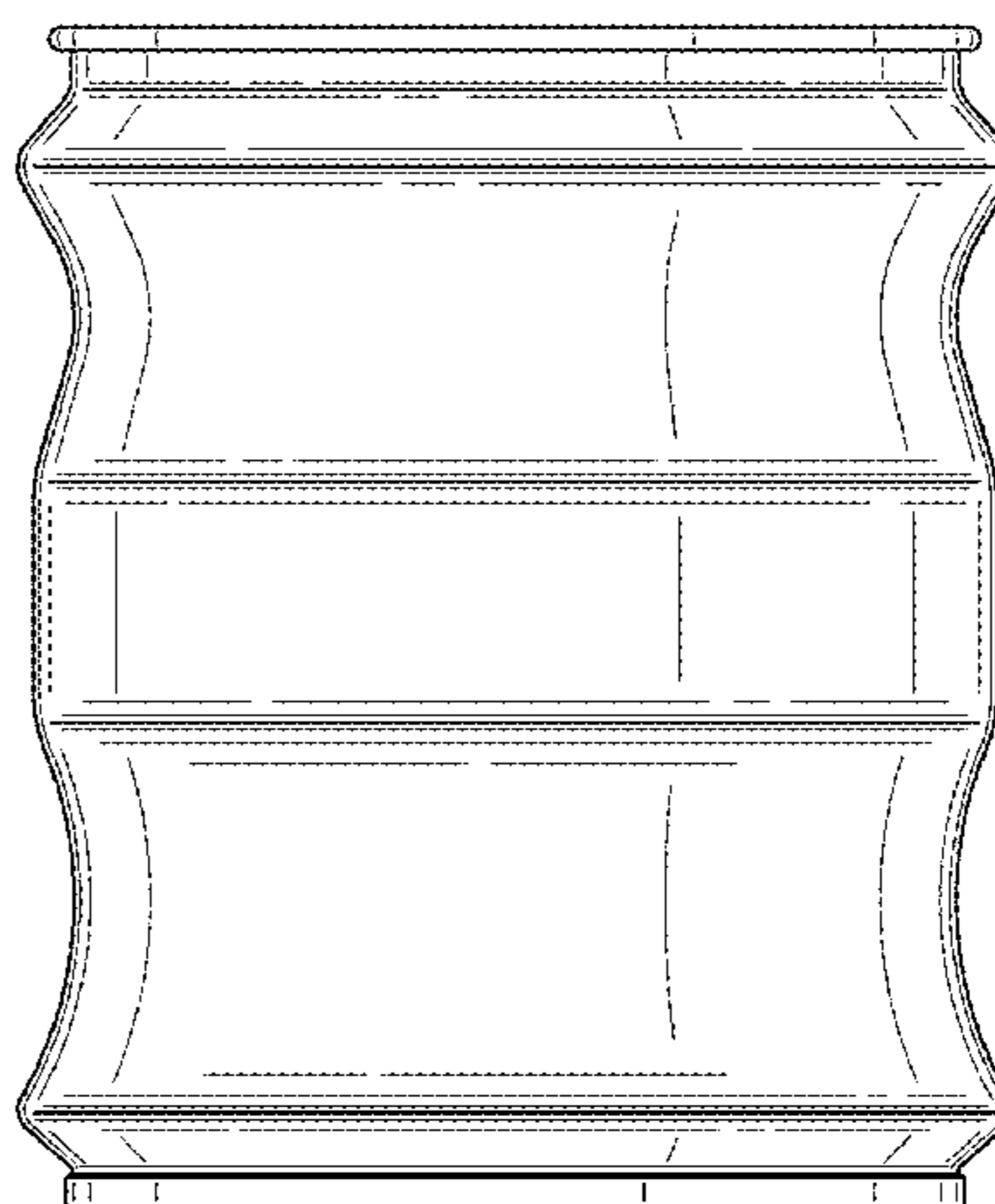
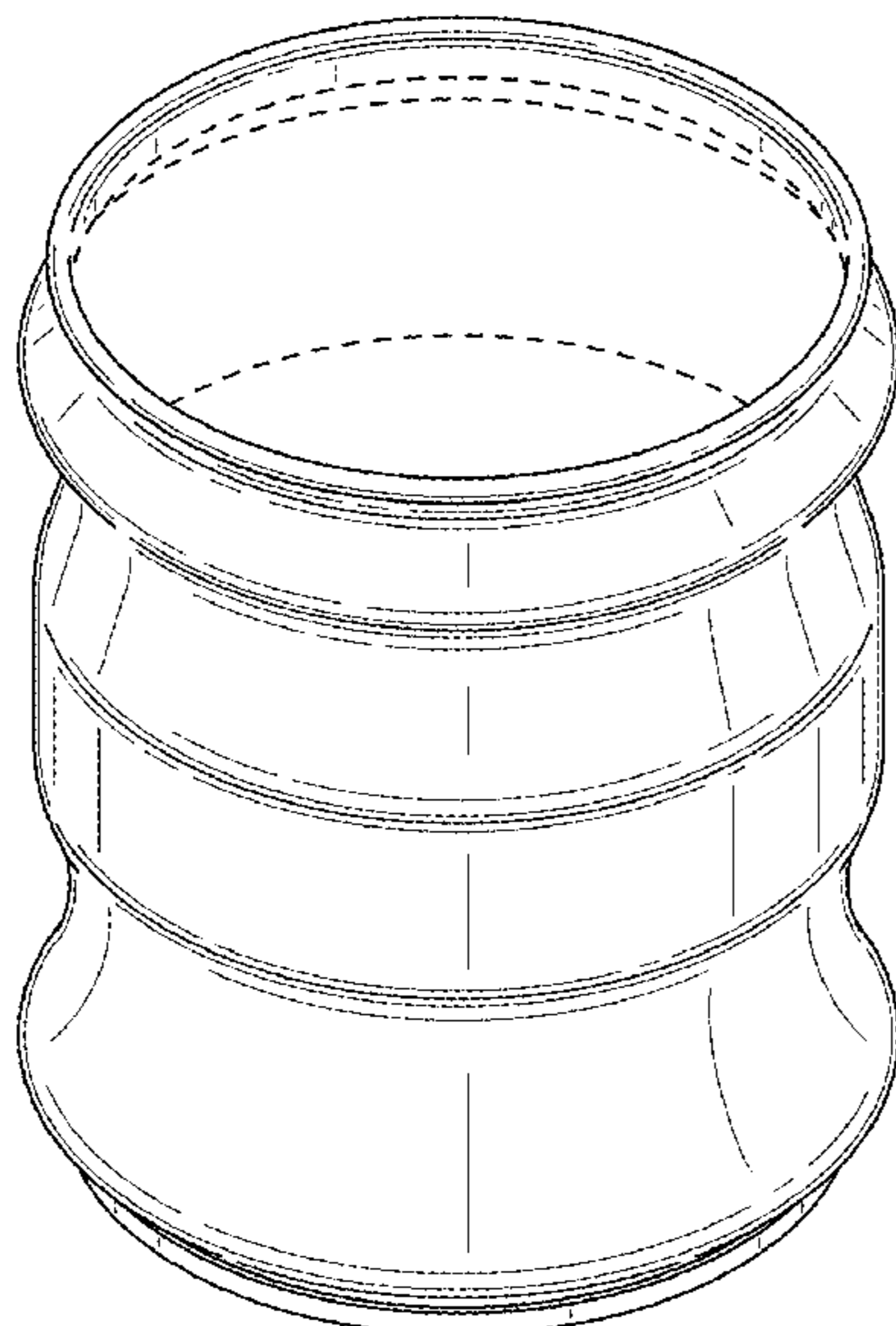
FIG. 2 is a front elevation view thereof, the rear, left and right side views being identical thereto;

FIG. 3 is a top plan view thereof; and,

FIG. 4 is a bottom plan view thereof.

The ornamental design which is claimed is shown in solid lines in the drawings. The broken lines in the drawings are for illustrative purposes only and form no part of the claimed design.

**1 Claim, 3 Drawing Sheets**



# US D649,887 S

Page 2

U.S. PATENT DOCUMENTS					
D212,525 S	10/1968	Kneapler	D421,907 S	3/2000	Benge et al.
3,648,884 A	3/1972	Mansolino	D423,336 S	4/2000	Gray
D224,516 S	8/1972	Amberg	D423,365 S	4/2000	Eberle et al.
D224,642 S	8/1972	Mascia et al.	D425,424 S	5/2000	Cheng et al.
D226,176 S	1/1973	Bystedt et al.	6,062,409 A	5/2000	Eberle
D227,863 S	7/1973	Mascia	D426,164 S	6/2000	Gans et al.
D227,868 S	7/1973	Stanley et al.	D427,057 S	6/2000	Roth et al.
D228,229 S	8/1973	Mascia	D427,514 S	7/2000	Roth et al.
D231,087 S	4/1974	Edwards	D427,515 S	7/2000	Roth et al.
D231,773 S	6/1974	Mascia	D427,905 S	7/2000	Eberle
D234,251 S	2/1975	Edwards	6,092,688 A	7/2000	Eberle et al.
D235,184 S	5/1975	Achenbach	D429,151 S	8/2000	Cheng et al.
D237,853 S	12/1975	Katz	D429,164 S	8/2000	Peek et al.
4,010,860 A	3/1977	Garber	6,095,360 A	8/2000	Shmagin et al.
D249,111 S	8/1978	Geyer	6,123,211 A	9/2000	Rashid et al.
D252,798 S	9/1979	Vosti et al.	D431,465 S	10/2000	Cheng et al.
D288,527 S	3/1987	Maguire	D431,470 S	10/2000	Henderson
D295,376 S *	4/1988	Rogler ..... D9/434	D432,423 S	10/2000	Rashid
D299,426 S	1/1989	Andersson et al.	D432,424 S	10/2000	Andrew
4,804,105 A	2/1989	Zysset et al.	6,131,761 A	10/2000	Cheng et al.
D307,238 S	4/1990	May	D435,455 S	12/2000	Gans
D317,405 S	6/1991	Yasika	6,161,713 A	12/2000	Krich
5,040,698 A	8/1991	Ramsey et al.	6,164,474 A	12/2000	Cheng et al.
D319,580 S	9/1991	Cassai et al.	6,164,480 A	12/2000	Heinicke et al.
D320,153 S	9/1991	Cassai et al.	D437,229 S	2/2001	Andrew
5,052,573 A	10/1991	Zysset	D437,230 S	2/2001	Andrew
D323,290 S	1/1992	Keedy, Jr.	6,206,222 B1	3/2001	Cudzik
D324,493 S *	3/1992	Nickerson ..... D9/773	D440,498 S *	4/2001	Buxton et al. .... D9/773
D338,832 S *	8/1993	Osip et al. .... D9/502	6,213,325 B1	4/2001	Cheng et al.
D345,105 S	3/1994	Ramsey	6,220,475 B1	4/2001	Nayar et al.
D352,898 S	11/1994	Vacher	D441,295 S	5/2001	Krich
D355,129 S	2/1995	Gruodis	6,230,912 B1	5/2001	Rashid
D355,368 S	2/1995	Gruodis	D445,339 S	7/2001	Bazlur
D357,413 S	4/1995	Kornick et al.	D445,693 S	7/2001	Rashid
D357,414 S	4/1995	Kornick et al.	D445,694 S	7/2001	Gans
D365,021 S	12/1995	Park	D446,455 S	8/2001	McGowan
D367,426 S	2/1996	Ruff	D446,458 S	8/2001	Gans
D373,084 S	8/1996	Choi	D447,061 S	8/2001	Peek
D378,572 S	3/1997	Culverwell et al.	6,280,679 B1	8/2001	Rashid et al.
D379,589 S	6/1997	Rhodes et al.	D447,422 S	9/2001	Peek
D381,259 S	7/1997	Hayes	D448,302 S	9/2001	Cheng et al.
D383,037 S	9/1997	Asberg	D448,303 S	9/2001	Cheng et al.
5,711,448 A	1/1998	Clarke, III	D448,304 S	9/2001	Cheng et al.
5,720,412 A	2/1998	Ficken	6,294,131 B1	9/2001	Jaffrey
5,722,561 A	3/1998	Biondich et al.	D448,666 S	10/2001	Fields
5,749,488 A	5/1998	Bagwell et al.	D448,671 S	10/2001	Gans et al.
D398,531 S	9/1998	De Vries	D448,672 S	10/2001	Cheng et al.
D399,129 S	10/1998	Ramsey	D448,675 S	10/2001	Thierjung
D399,425 S	10/1998	Ramsey	D448,677 S	10/2001	Krich
D399,428 S	10/1998	Ramsey	D449,539 S	10/2001	Lakatosh et al.
D399,429 S	10/1998	Ramsey	D449,993 S	11/2001	Schumann
D399,430 S	10/1998	Ramsey	D450,244 S	11/2001	Rashid
D399,753 S	10/1998	Ramsey	6,321,927 B2	11/2001	Cavella
D401,152 S	11/1998	DeVore et al.	D453,003 S	1/2002	Rashid
D403,962 S	1/1999	Ramsey	6,341,709 B1	1/2002	Wilson
D403,963 S	1/1999	Ramsey	6,347,717 B1	2/2002	Eberle
D404,254 S	1/1999	Asberg	D454,073 S	3/2002	Crawford
D404,970 S	2/1999	Asberg	D455,656 S	4/2002	Gans et al.
D406,065 S	2/1999	Cheng	6,374,657 B1	4/2002	Kirk et al.
D406,236 S	3/1999	Brifcani et al.	D456,712 S	5/2002	Krich
D408,221 S	4/1999	Asberg	D457,435 S	5/2002	Rashid
D409,496 S	5/1999	Ramsey	6,398,052 B1	6/2002	Cheng et al.
D411,106 S	6/1999	Conrad	6,419,874 B2	7/2002	Rashid et al.
D412,118 S	7/1999	Rodea	D463,982 S *	10/2002	Speelman ..... D9/539
D412,441 S	8/1999	Cheng et al.	D464,569 S	10/2002	Moore et al.
D413,519 S	9/1999	Eberle et al.	D465,158 S	11/2002	Peek et al.
5,957,647 A	9/1999	Hinton	D465,418 S	11/2002	Thierjung
D414,693 S	10/1999	Cheng et al.	D466,019 S	11/2002	Thierjung et al.
D416,200 S	11/1999	Pavely et al.	D466,021 S	11/2002	Thierjung et al.
5,988,416 A	11/1999	Cheng et al.	D466,024 S	11/2002	Thierjung et al.
5,988,417 A	11/1999	Cheng et al.	D466,813 S	12/2002	Thierjung et al.
D417,392 S	12/1999	Zhang	D466,817 S	12/2002	Thierjung et al.
D419,058 S	1/2000	Roth et al.	D469,360 S	1/2003	Moore et al.
D419,444 S	1/2000	Zhang	6,575,684 B2	6/2003	Heinicke et al.
D419,886 S	2/2000	Gans	D476,889 S	7/2003	Fields
D420,587 S	2/2000	Cheng et al.	D476,896 S	7/2003	Cheng et al.
D421,393 S	3/2000	Pavely et al.	6,585,125 B1	7/2003	Peek
D421,720 S	3/2000	Eberle et al.	D478,286 S	8/2003	Futral et al.
			D478,287 S	8/2003	Corker et al.

D479,999 S 9/2003 Moore  
 D480,650 S 10/2003 Moore et al.  
 D480,956 S 10/2003 Mooney et al.  
 D480,957 S 10/2003 Mooney et al.  
 D481,317 S 10/2003 Corker et al.  
 D484,808 S 1/2004 Thierjung et al.  
 D485,182 S 1/2004 Gaydon  
 6,685,417 B2 2/2004 Heinicke et al.  
 D489,983 S 5/2004 Futral et al.  
 D489,984 S 5/2004 Futral et al.  
 D489,986 S \* 5/2004 Case et al. .... D9/502  
 D491,288 S 6/2004 Young  
 D493,370 S 7/2004 Kamineni et al.  
 D494,475 S 8/2004 Thierjung et al.  
 6,769,561 B2 8/2004 Futral et al.  
 D498,143 S 11/2004 Rashid  
 6,877,607 B2 4/2005 Jenkins  
 6,889,862 B2 5/2005 Vaughan  
 D507,485 S 7/2005 Fields  
 D510,024 S 9/2005 Jacober et al.  
 D511,458 S 11/2005 Dunwoody et al.  
 D512,917 S 12/2005 Frisch et al.  
 D522,371 S 6/2006 Livingston  
 D523,341 S 6/2006 Livingston et al.  
 D523,347 S 6/2006 Livingston  
 D525,129 S 7/2006 Hutter et al.  
 D525,139 S 7/2006 Livingston et al.  
 D525,530 S 7/2006 Livingston et al.  
 7,108,469 B2 9/2006 Jenkins  
 7,112,771 B2 9/2006 Richardson et al.  
 D530,614 S 10/2006 Gatewood  
 D532,306 S 11/2006 MacLeod et al.  
 7,134,565 B1 11/2006 Wan et al.  
 D533,783 S 12/2006 Kliger et al.  
 D534,079 S 12/2006 Livingston  
 D534,428 S 1/2007 Reed et al.  
 D536,262 S 2/2007 Ioannides et al.  
 D536,263 S 2/2007 Ioannides et al.  
 D536,264 S 2/2007 Ioannides et al.  
 D538,645 S 3/2007 McDowell et al.  
 D538,646 S 3/2007 McDowell et al.  
 D538,660 S 3/2007 Gatewood  
 7,198,168 B2 4/2007 Mizuma  
 D542,130 S 5/2007 McDowell et al.  
 D542,650 S 5/2007 McDowell et al.  
 D543,845 S 6/2007 Ioannides et al.  
 D546,183 S 7/2007 Clutter  
 7,243,808 B2 7/2007 Livingston et al.  
 D549,596 S 8/2007 Ioannides et al.  
 D562,685 S 2/2008 Millspaw et al.  
 D584,643 S \* 1/2009 Kolon et al. .... D9/777  
 D596,503 S \* 7/2009 Diss ..... D9/776  
 D596,504 S \* 7/2009 Diss ..... D9/776  
 D614,971 S \* 5/2010 Millspaw et al. .... D9/776  
 D632,590 S \* 2/2011 Peacock ..... D9/773  
 2001/0002671 A1 6/2001 Heinicke et al.  
 2001/0009107 A1 7/2001 Cheng et al.

2001/0009244 A1 7/2001 Cheng et al.  
 2002/0172578 A1 11/2002 Heinicke et al.  
 2005/0082299 A1 4/2005 Jenkins  
 2006/0131257 A1 6/2006 Gatewood et al.  
 2006/0186082 A1 8/2006 Gatewood et al.  
 2007/0012648 A1 1/2007 Gatewood  
 2007/0068943 A1 3/2007 Ramsey et al.  
 2007/0102425 A1 5/2007 Richardson et al.  
 2007/0108196 A1 5/2007 Richardson et al.  
 2007/0108197 A1 5/2007 Richardson et al.  
 2007/0108198 A1 5/2007 Richardson et al.  
 2007/0138181 A1 6/2007 Heinicke et al.

FOREIGN PATENT DOCUMENTS

WO DM/046294 10/1998  
 WO DM/051799 3/2000

OTHER PUBLICATIONS

U.S. Appl. No. 29/305,877, filed Mar. 28, 2008, Diss et al.  
 U.S. Appl. No. 29/305,883, filed Mar. 28, 2008, Diss et al.  
 U.S. Appl. No. 29/305,882, filed Mar. 28, 2008, Diss et al.  
 U.S. Appl. No. 29/305,878, filed Mar. 28, 2008, Diss et al.  
 U.S. Appl. No. 29/302,067, filed Jan. 9, 2008, Millspaw et al.  
 U.S. Appl. No. 29/304,271, filed Feb. 27, 2008, Metzger et al.  
 U.S. Appl. No. 29/305,881, filed Mar. 28, 2008, Diss et al.  
 U.S. Appl. No. 29/305,880, filed Mar. 28, 2008, Diss et al.  
 U.S. Appl. No. 29/305,879, filed Mar. 28, 2008, Diss et al.  
 U.S. Appl. No. 29/306,261, filed Apr. 4, 2008, VanScoyoc et al.  
 U.S. Appl. No. 29/306,263, filed Apr. 4, 2008, Ziegler et al.  
 U.S. Appl. No. 29/306,258, filed Apr. 4, 2008, Ziegler.  
 U.S. Appl. No. 29/306,257, filed Apr. 4, 2008, Ziegler et al.  
 U.S. Appl. No. 29/318,021, filed May 12, 2008, Takata et al.  
 U.S. Appl. No. 29/318,022, filed May 12, 2008, Murphy et al.  
 U.S. Appl. No. 29/318,023, filed May 12, 2008, Diss.  
 U.S. Appl. No. 29/318,024, filed May 12, 2008, Diss.  
 U.S. Appl. No. 29/318,025, filed May 12, 2008, Diss.  
 U.S. Appl. No. 29/318,026, filed May 12, 2008, Takata et al.  
 U.S. Appl. No. 29/318,027, filed May 12, 2008, Diss.  
 U.S. Appl. No. 29/318,028, filed May 12, 2008, Murphy et al.  
 U.S. Appl. No. 29/318,029, filed May 12, 2008, Takata et al.  
 U.S. Appl. No. 29/318,030, filed May 12, 2008, Murphy et al.  
 U.S. Appl. No. 29/318,031, filed May 12, 2008, Murphy et al.  
 U.S. Appl. No. 29/318,033, filed May 12, 2008, Murphy et al.  
 U.S. Appl. No. 29/318,036, filed May 12, 2008, Murphy et al.  
 U.S. Appl. No. 29/318,041, filed May 12, 2008, Takata et al.  
 "The Revolutionary Stretching Technology" brochure, believed to be available by 2001 at www.canstretch.com, 1 page.  
 "Stretch Machine" brochure, believed to be available by 2001 at www.canstretch.com, 1 page.  
 Photograph of Six Cans, believed to be available by 2001 at www.canstretch.com, 1 page.

\* cited by examiner

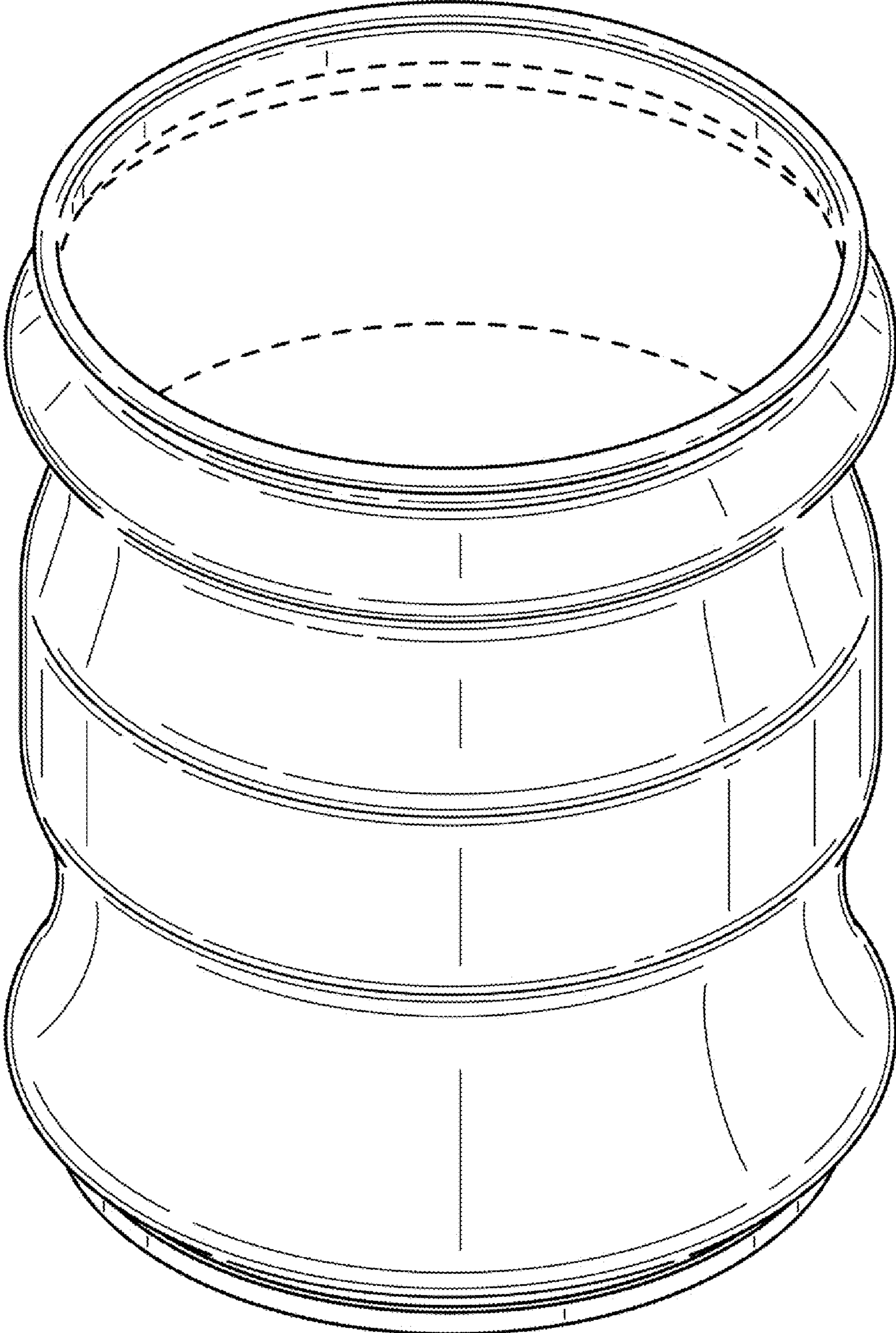


FIG. 1

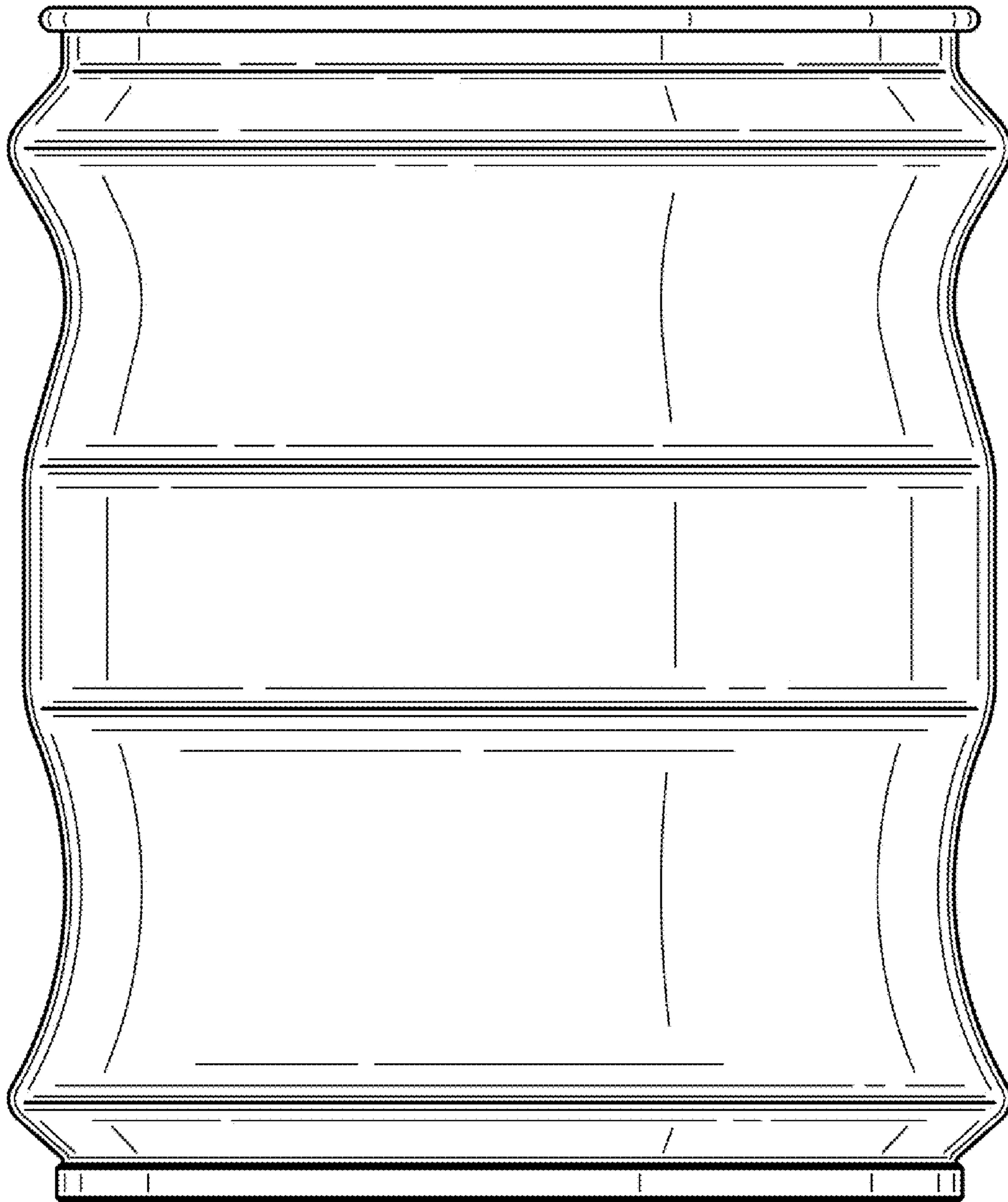


FIG. 2

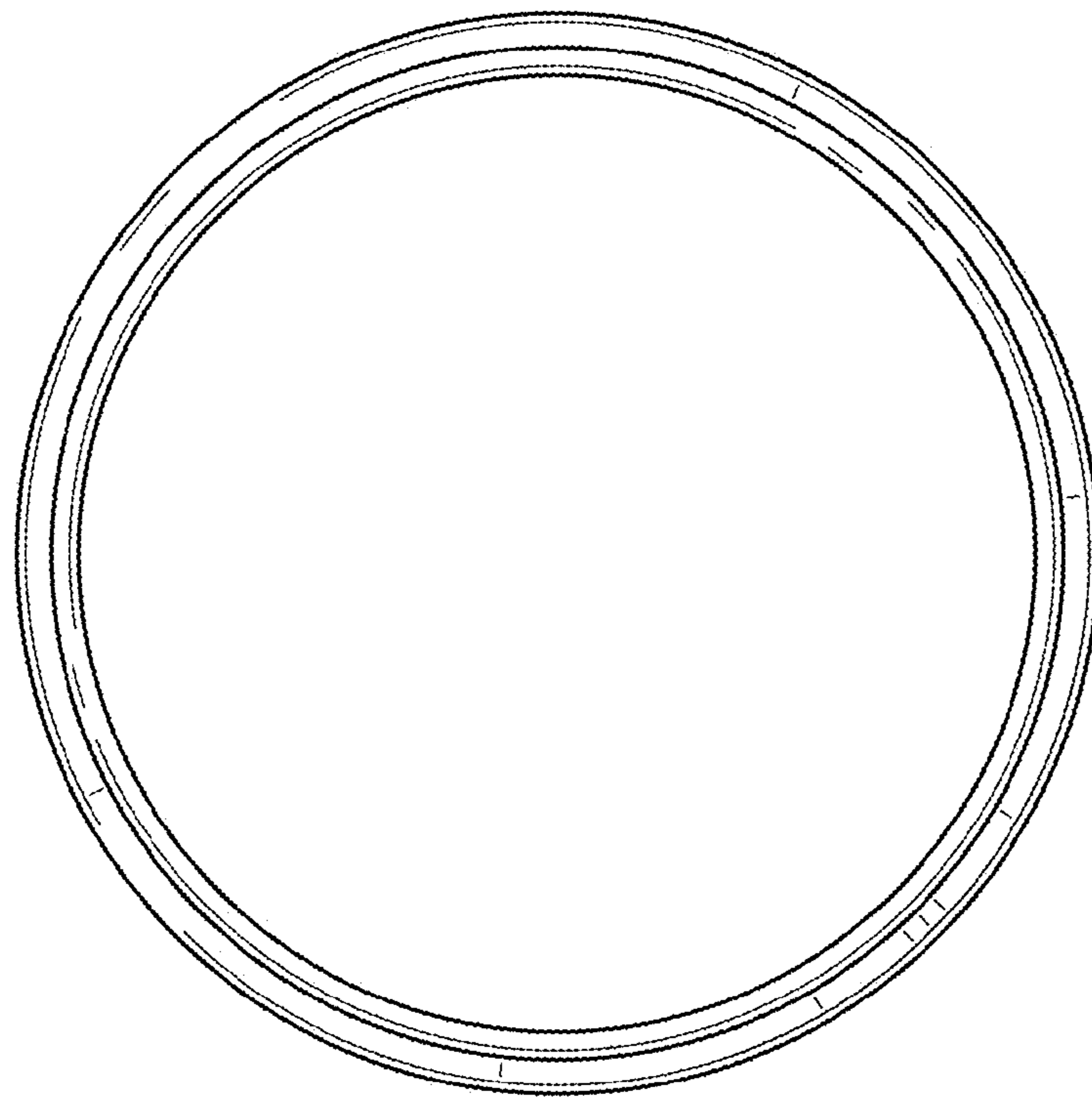


FIG. 3

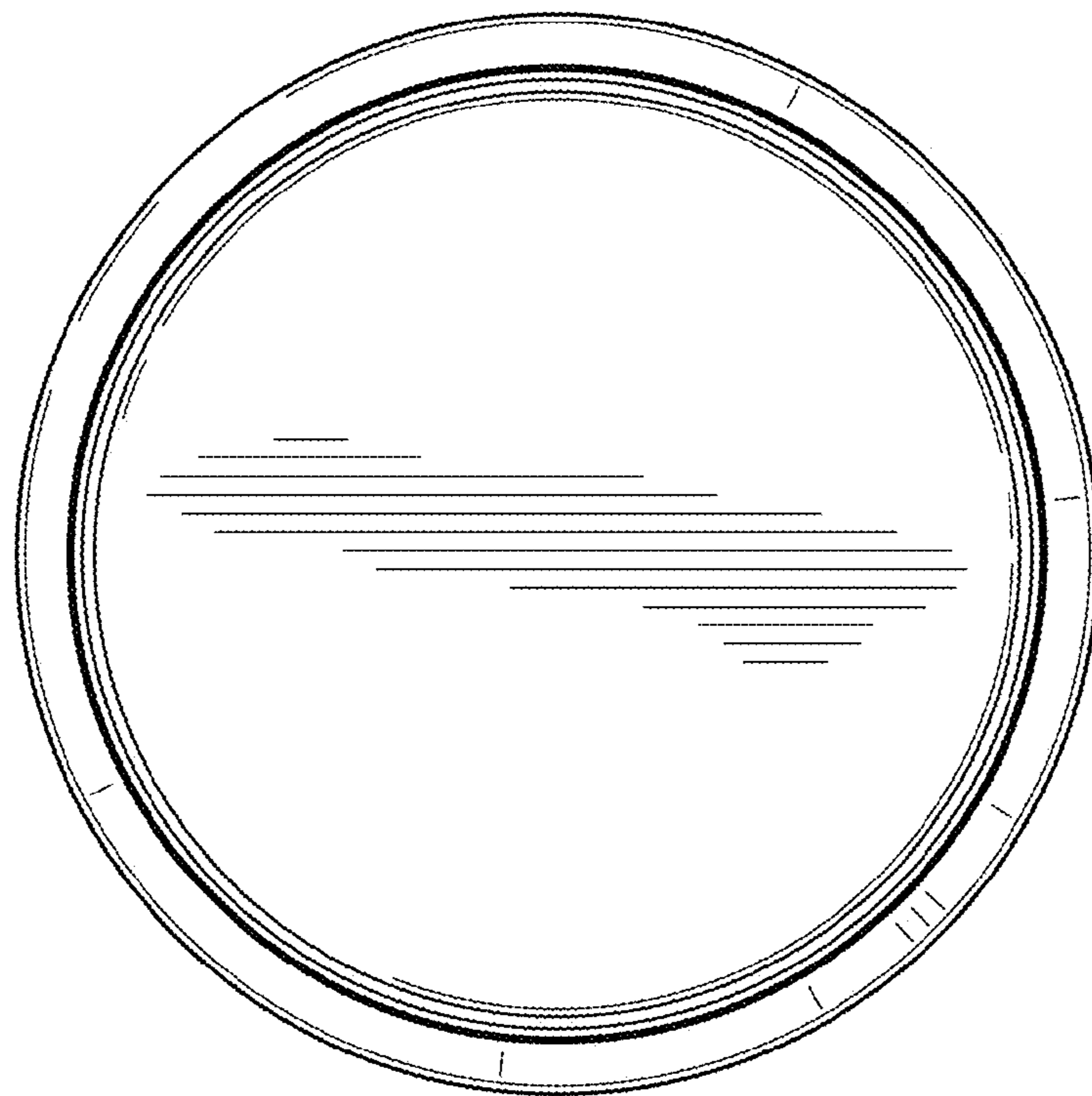


FIG. 4