



US00D649886S

(12) **United States Design Patent**
Ocampo

(10) **Patent No.:** **US D649,886 S**

(45) **Date of Patent:** **** Dec. 6, 2011**

(54) **SHAVING RAZOR PACKAGE**

(75) Inventor: **Andres Felipe Ocampo**, Waltham, MA
(US)

(73) Assignee: **The Gillette Company**

(**) Term: **14 Years**

(21) Appl. No.: **29/387,316**

(22) Filed: **Mar. 11, 2011**

(51) **LOC (9) Cl.** **09-03**

(52) **U.S. Cl.** **D9/748**; D9/415; D9/416

(58) **Field of Classification Search** D9/749,
D9/737, 748, 415, 424, 425, 416; D6/526,
D6/512; D3/201, 205; 206/349, 228, 244,
206/252, 775, 208, 493, 354-360, 352; 30/514
See application file for complete search history.

D282,242	S	1/1986	Thorpe	
4,601,392	A	7/1986	Althaus	
4,735,312	A	4/1988	Iten	
4,785,935	A	11/1988	Iten	
D323,069	S *	1/1992	Leese	D6/315
D323,460	S	1/1992	Ayala et al.	
D336,426	S *	6/1993	Fisher	D9/749
5,226,534	A	7/1993	Kim	
D351,554	S	10/1994	Kim	
5,988,373	A *	11/1999	Yates	206/296
D427,640	S *	7/2000	Derentz	D20/22
6,276,529	B1 *	8/2001	Feehan, Jr.	206/469

(Continued)

Primary Examiner — Mark Goodwin

(74) *Attorney, Agent, or Firm* — John M. Lipchitz; Kevin C. Johnson; Steven C. Miller

(57) **CLAIM**

The ornamental design for a shaving razor package, as shown and described.

(56) **References Cited**

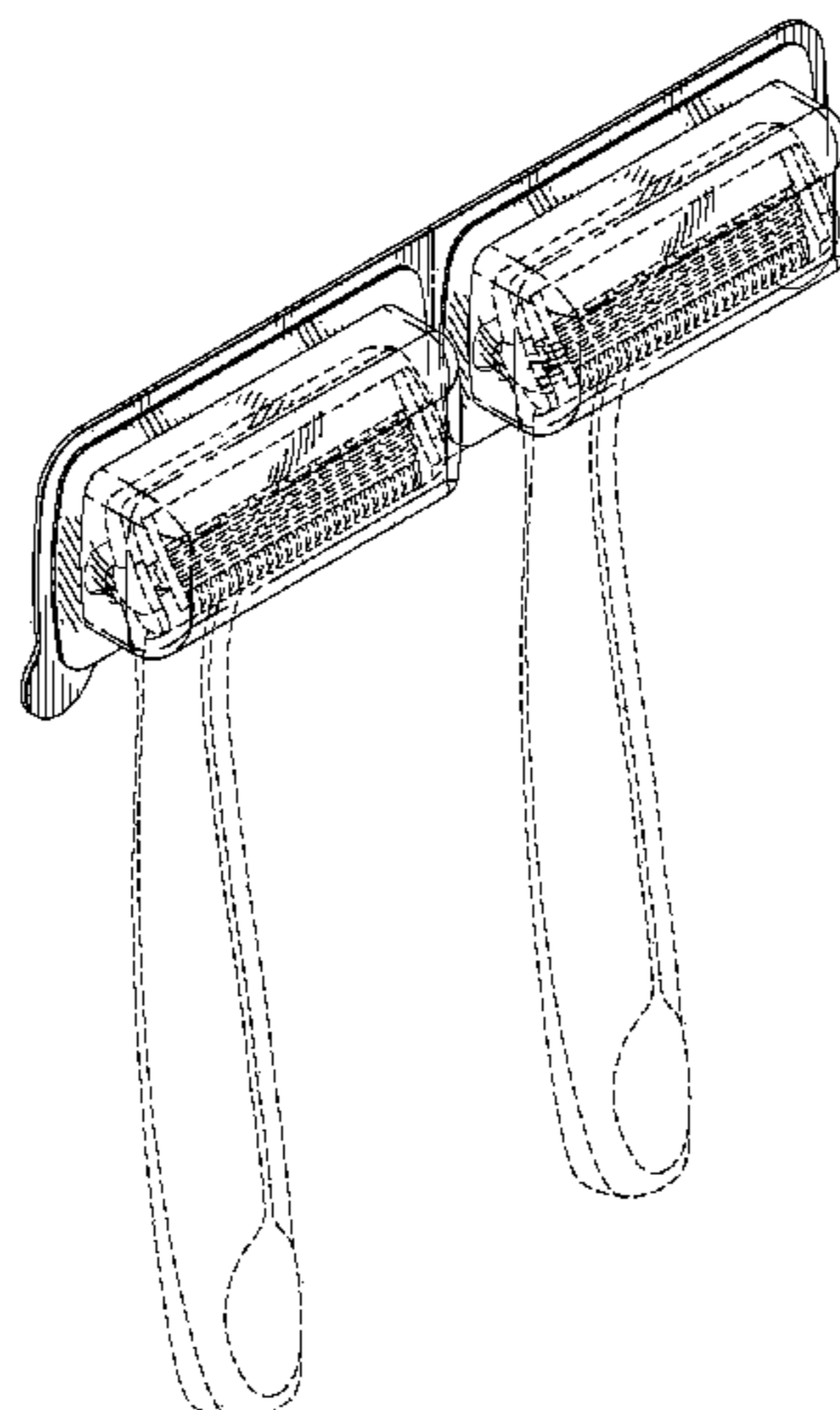
U.S. PATENT DOCUMENTS

2,229,427	A	1/1941	Tanner	
D194,378	S	1/1963	Brower	
D219,431	S	12/1970	Hill et al.	
D226,754	S *	4/1973	Glaberson	D9/748
D227,859	S *	7/1973	Polsson	D9/748
D228,629	S *	10/1973	Glaberson	D9/748
4,000,832	A	1/1977	Pentney	
4,140,244	A	2/1979	Clabby	
D253,040	S	10/1979	Fournier et al.	
D255,327	S	6/1980	Samsing	
D257,327	S	10/1980	Samsing	
4,266,664	A	5/1981	Dixon et al.	
D262,095	S	12/1981	Takahashi	
4,322,002	A	3/1982	Iten	
D265,056	S	6/1982	Hadtke	
4,341,306	A	7/1982	Lightsey	
D272,803	S	2/1984	Richards	
4,432,452	A	2/1984	Kelly	
4,445,610	A	5/1984	Richards	
D275,737	S	10/1984	Carey, Jr. et al.	
D276,793	S	12/1984	Richards	
D276,893	S	12/1984	Richards	
4,496,047	A	1/1985	Gatley	
4,555,030	A	11/1985	Byrne et al.	

DESCRIPTION

FIG. 1 is a perspective view of a shaving razor package of the present invention;
 FIG. 2 is a front view thereof;
 FIG. 3 is a rear view thereof;
 FIG. 4 is a right view thereof;
 FIG. 5 is a left view thereof;
 FIG. 6 is a top view thereof;
 FIG. 7 is a bottom view thereof;
 FIG. 8 is a perspective view of a second embodiment of a shaving razor package of the present invention;
 FIG. 9 is a front view thereof;
 FIG. 10 is a rear view thereof;
 FIG. 11 is a right view thereof;
 FIG. 12 is a left view thereof;
 FIG. 13 is a top view thereof; and,
 FIG. 14 is a bottom view thereof.
 The broken line showing of a razor is included for the purpose of illustrating environmental structure and forms no part of the claimed design.

1 Claim, 9 Drawing Sheets



US D649,886 S

Page 2

U.S. PATENT DOCUMENTS

D449,992 S *	11/2001	Blackburn	D9/457	D558,063 S *	12/2007	Kohring	D9/735
D450,240 S *	11/2001	Haag et al.	D9/416	D561,610 S *	2/2008	Renaldi et al.	D9/749
D453,901 S *	2/2002	Shepperson	D9/748	D574,229 S *	8/2008	Terrasi	D9/416
D461,128 S *	8/2002	Kardush	D9/457	D579,347 S *	10/2008	Kohring	D9/735
D461,409 S *	8/2002	Kardush	D9/457	D595,126 S *	6/2009	Marcinkowski	D9/418
D478,281 S *	8/2003	Prochaska	D9/415	D601,021 S *	9/2009	Hogenbirk	D9/457
D493,105 S *	7/2004	Childs et al.	D9/426	D614,023 S *	4/2010	Amos et al.	D9/416
D496,267 S *	9/2004	Tommasetti	D9/415	D614,491 S *	4/2010	Rhoad	D9/457
D520,185 S *	5/2006	Zeng et al.	D28/8.1	D620,787 S *	8/2010	Moriya	D9/416

* cited by examiner

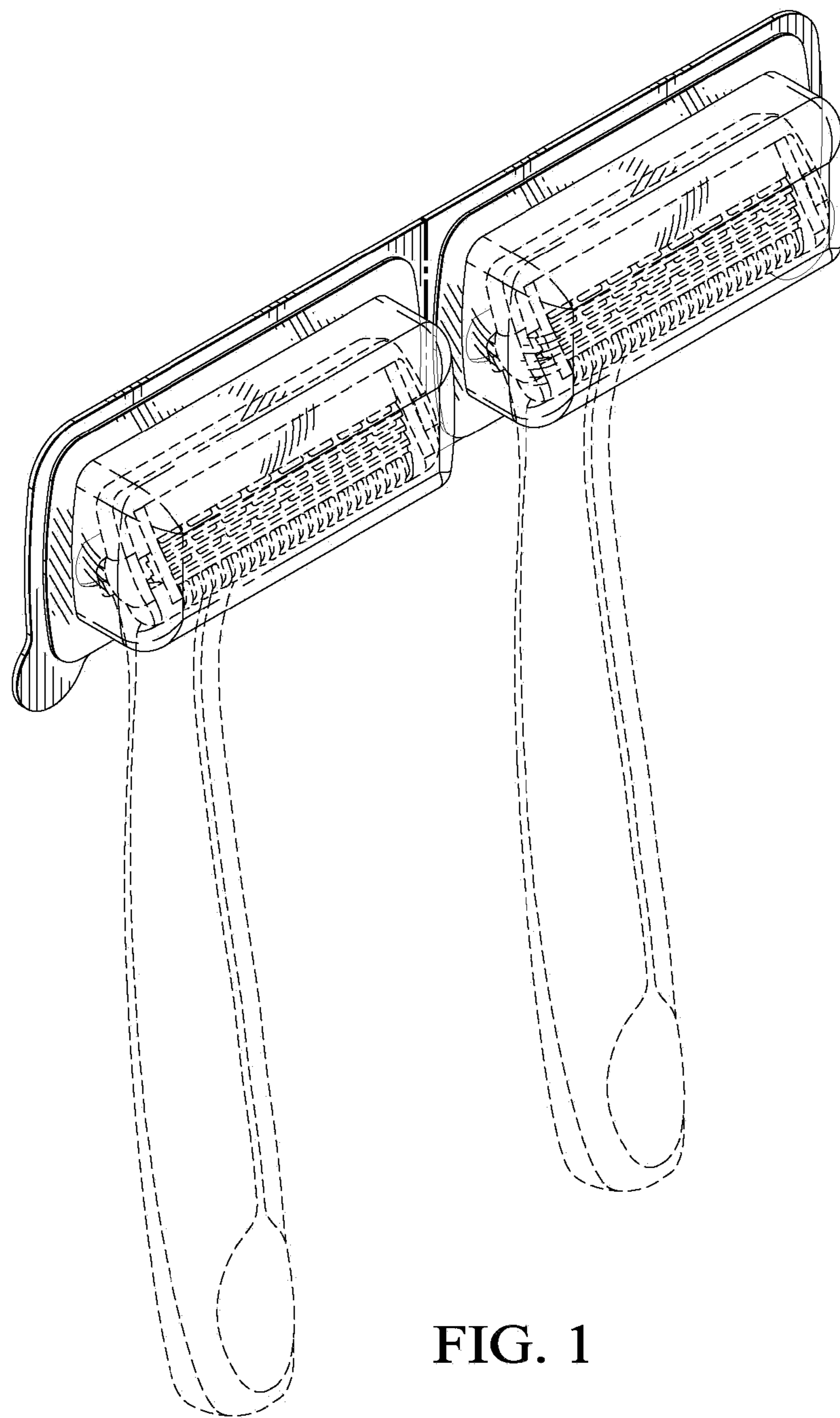


FIG. 1

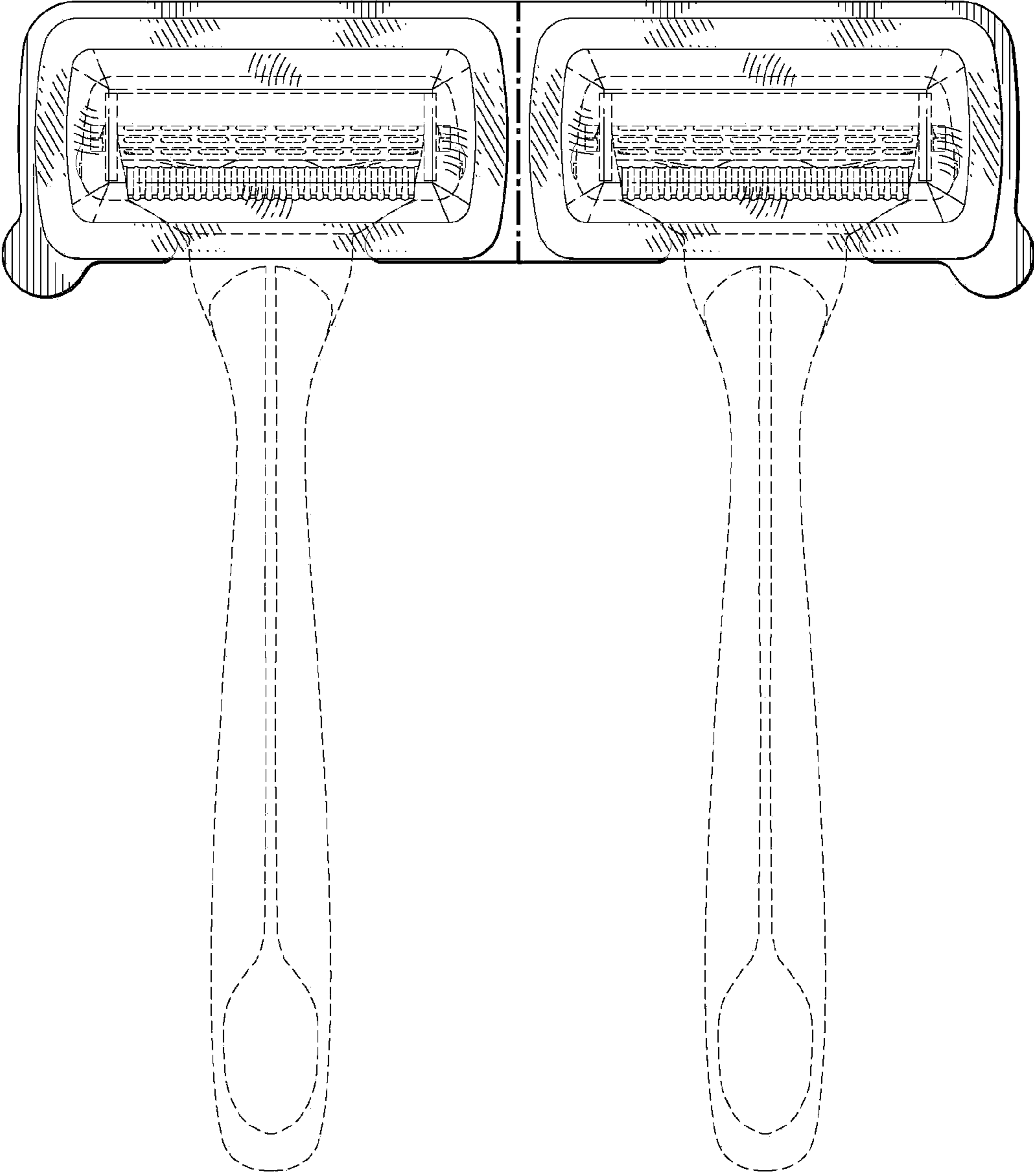


FIG. 2

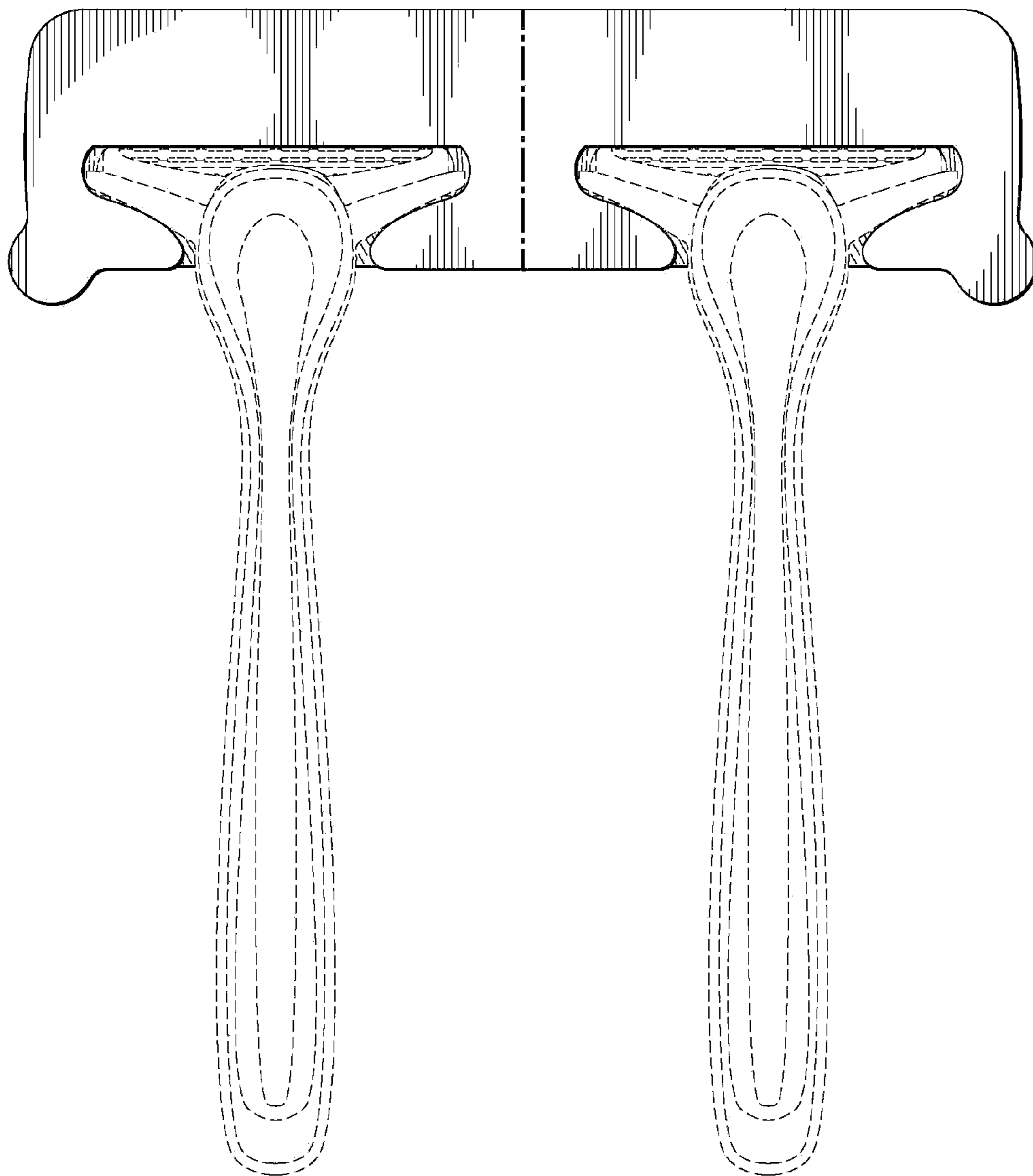


FIG. 3

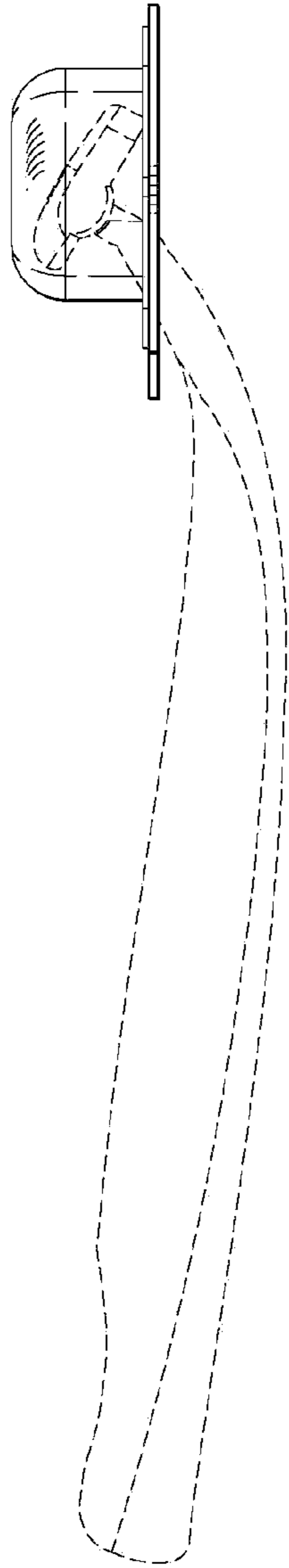


FIG. 4

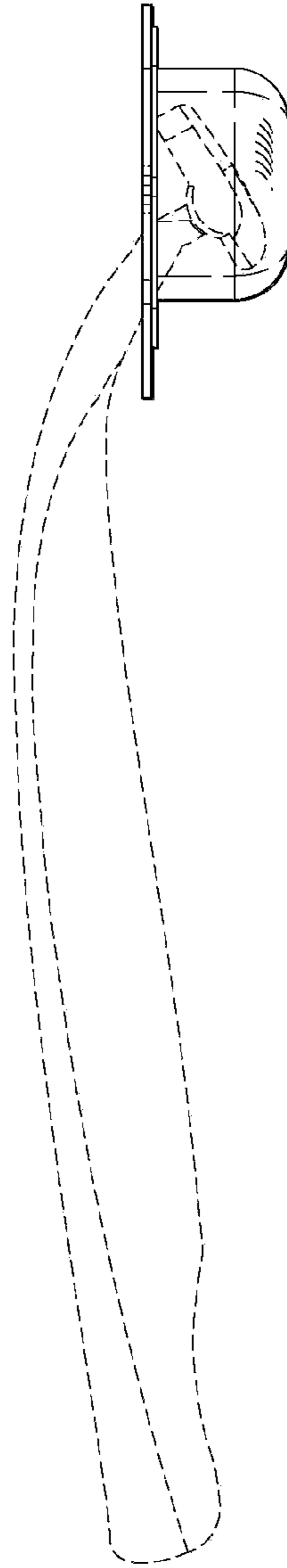


FIG. 5

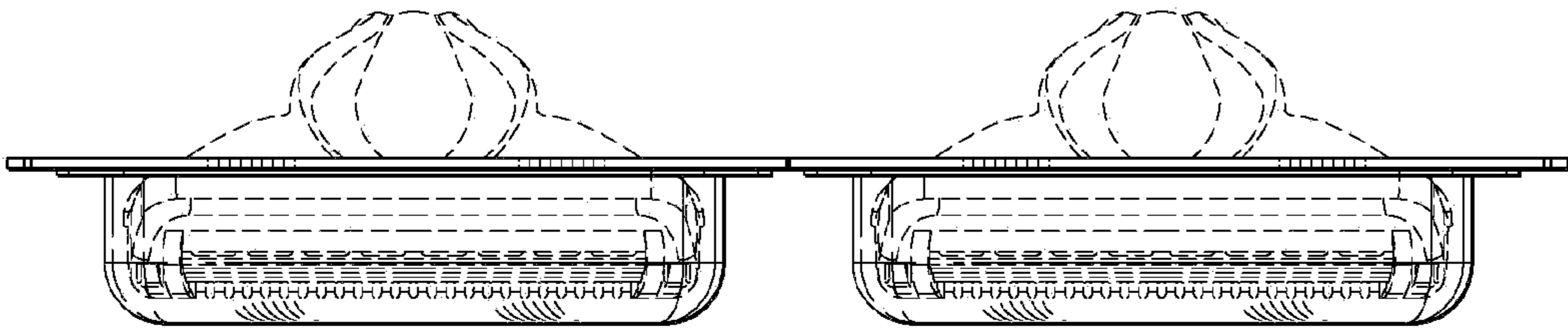


FIG. 6

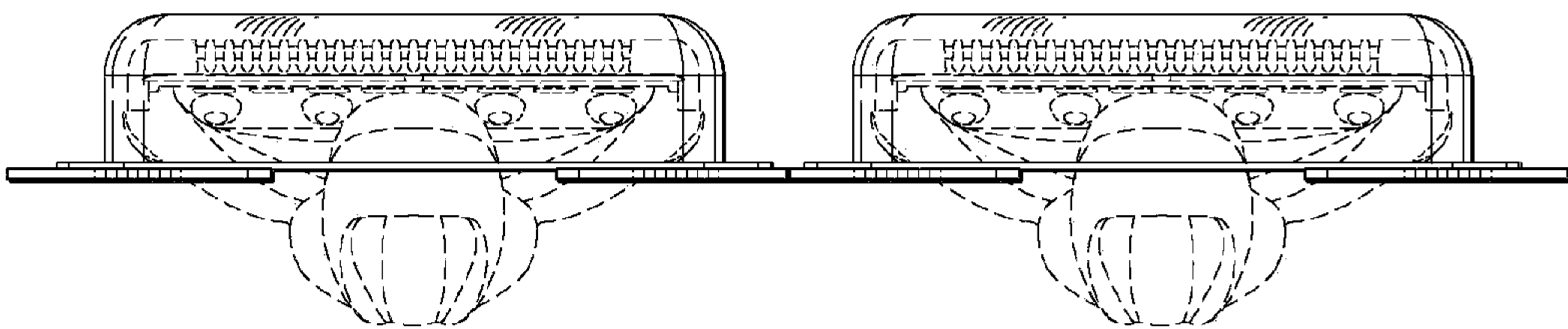


FIG. 7

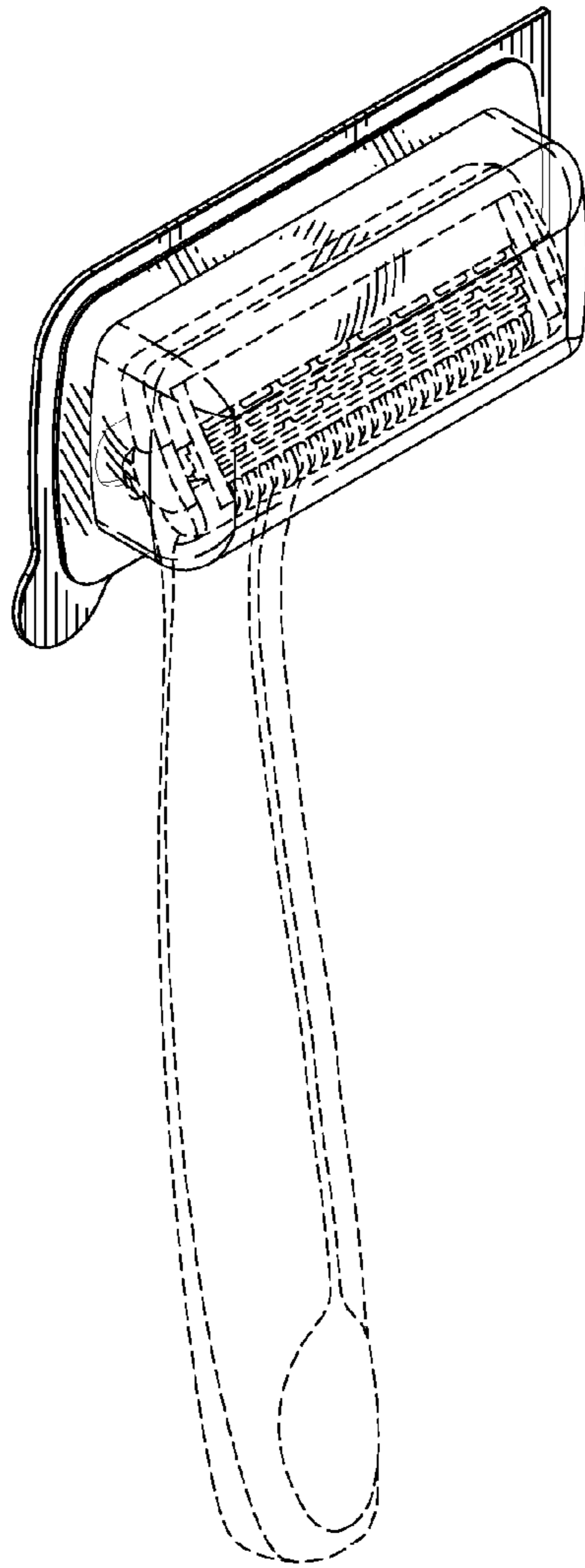


FIG. 8

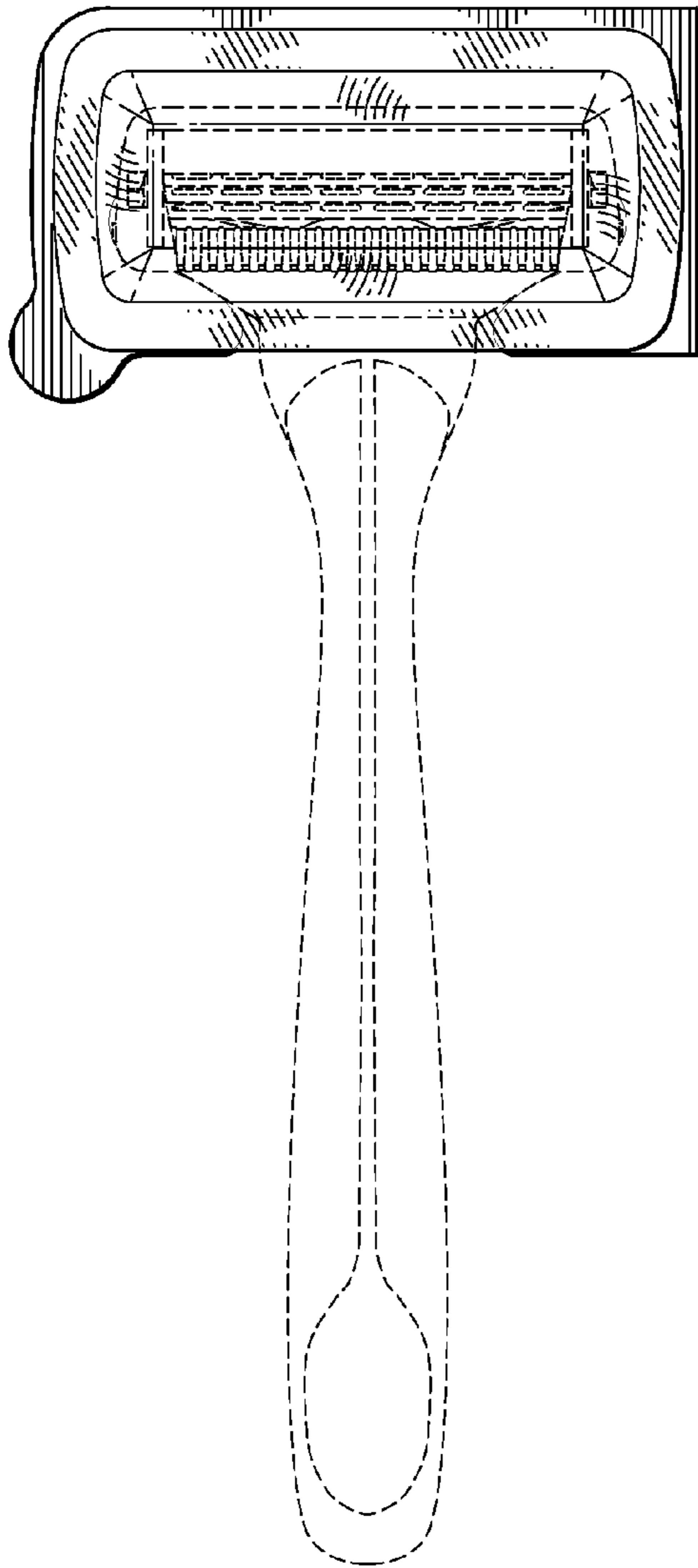


FIG. 9

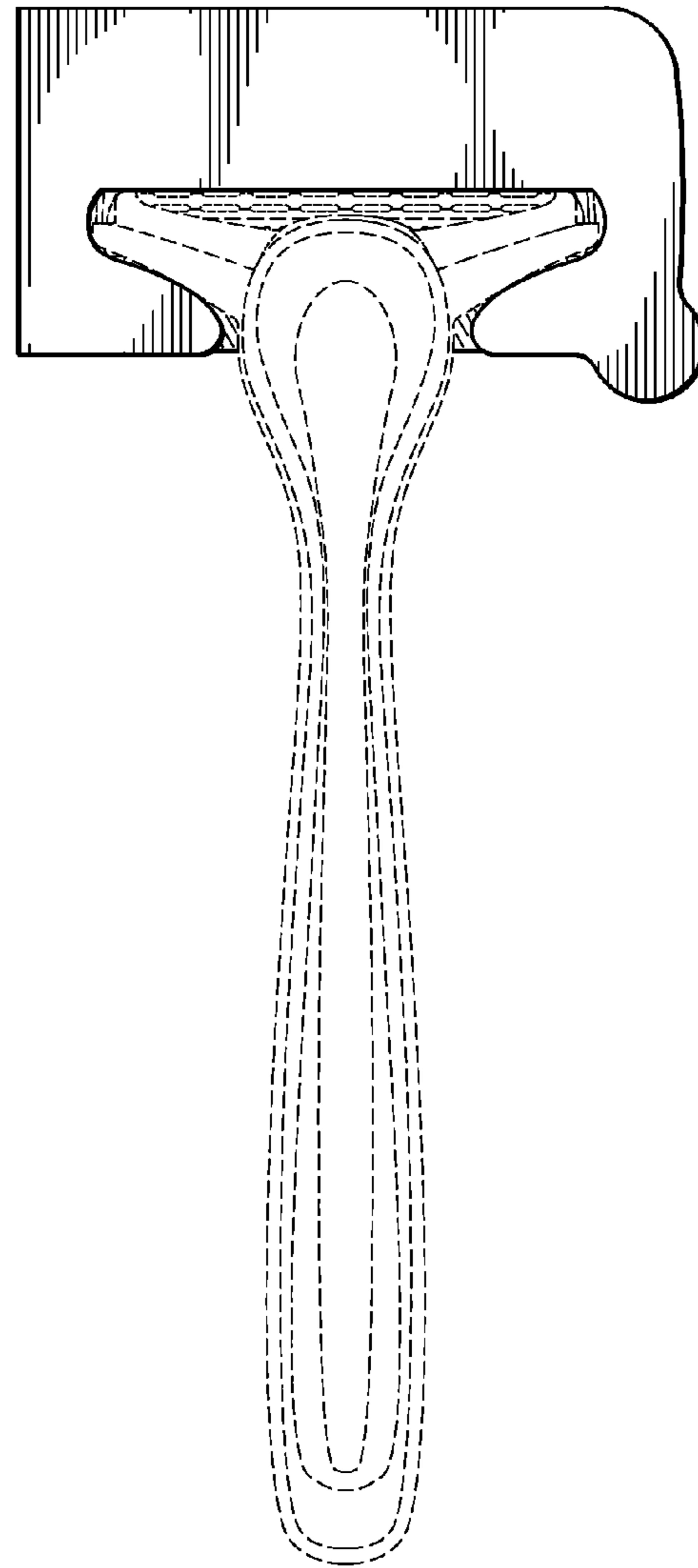


FIG. 10



FIG. 11

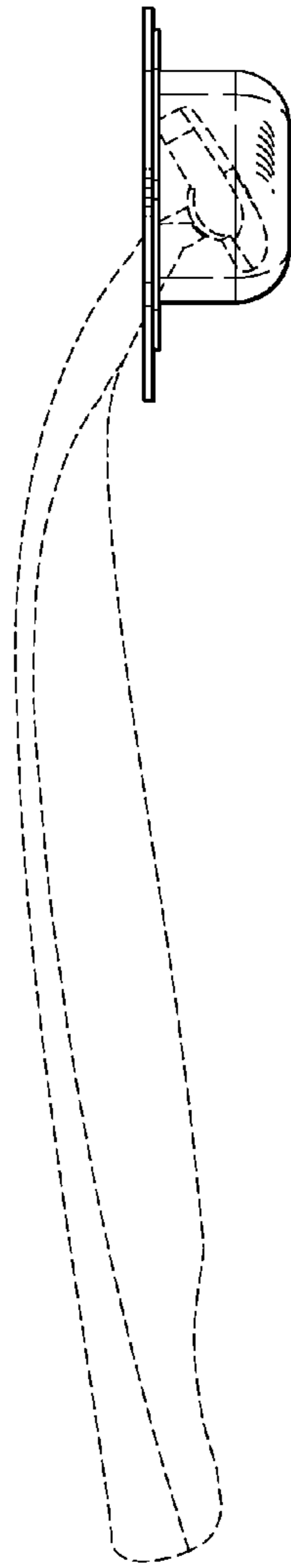


FIG. 12

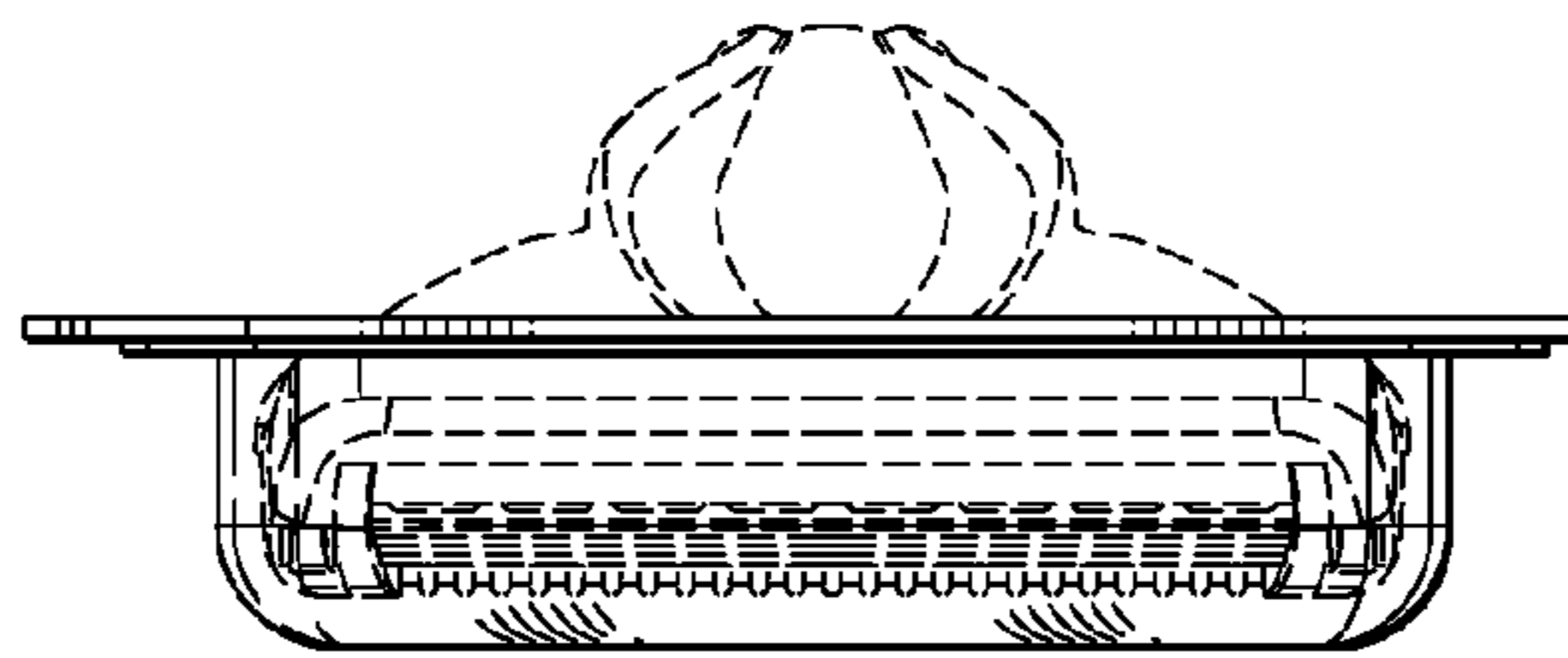


FIG. 13

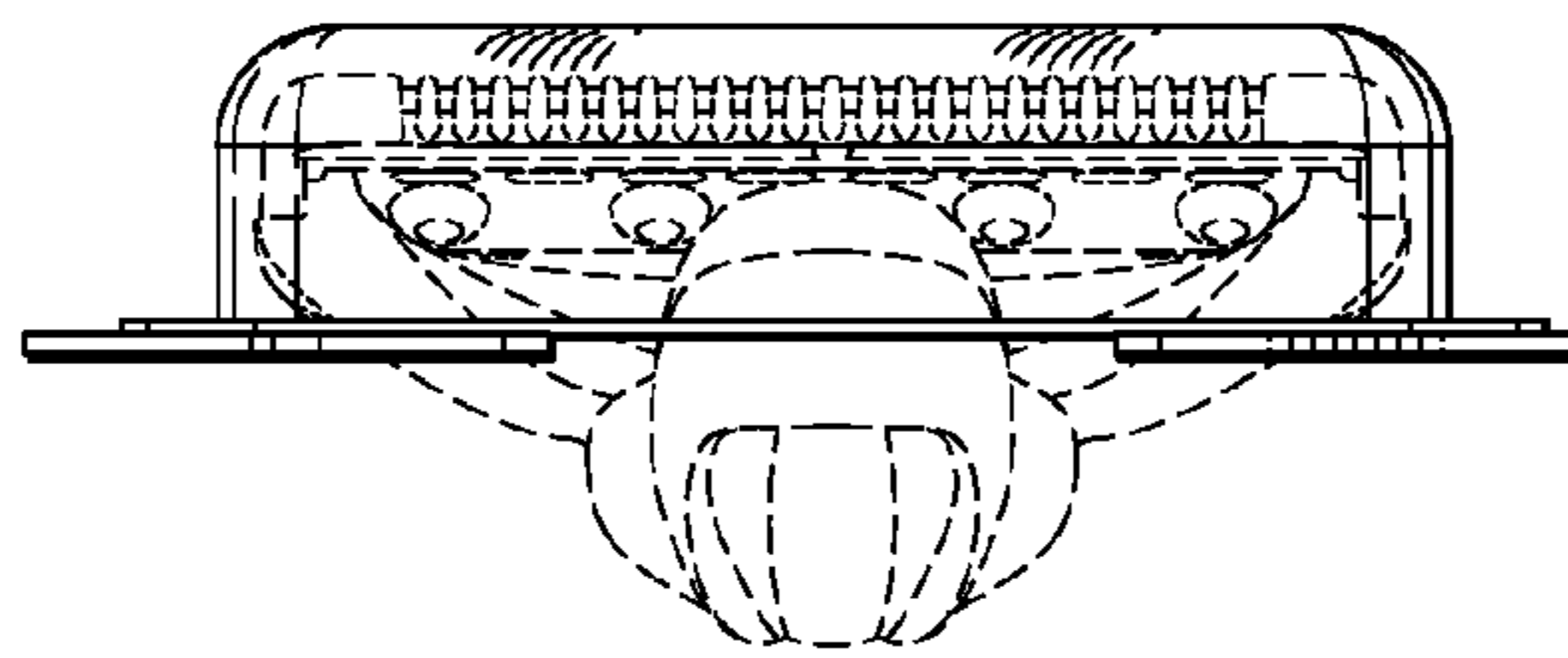


FIG. 14