



US00D649884S

(12) **United States Design Patent**  
**Guess**

(10) **Patent No.:** **US D649,884 S**

(45) **Date of Patent:** **\*\* Dec. 6, 2011**

(54) **PYRAMIDAL-SHAPED PACKAGE  
ENCLOSING A PYRAMIDAL SHAPED  
LEVELING DEVICE**

D456,252 S \* 4/2002 Weil ..... D9/415  
6,425,490 B1 7/2002 Ta ..... 211/116  
D596,056 S \* 7/2009 Scheyer ..... D10/69

(75) Inventor: **Paul E. Guess**, Devon (GB)

(73) Assignee: **Endless Design, LLC**, Cleveland, OH  
(US)

(\*\*) Term: **14 Years**

(21) Appl. No.: **29/349,457**

(22) Filed: **Apr. 5, 2010**

(51) **LOC (9) Cl.** ..... **09-01**

(52) **U.S. Cl.** ..... **D9/721; D9/715; D9/414; D9/431;**  
D10/69

(58) **Field of Classification Search** ..... D9/414,  
D9/415, 418, 431, 711, 715; D10/69; 229/113-116  
See application file for complete search history.

(56) **References Cited**

**U.S. PATENT DOCUMENTS**

161,155	A	3/1875	Ransom	33/382
D25,392	S *	4/1896	Stefanko	D10/69
1,908,496	A	5/1933	Hunter	269/19
1,992,029	A	2/1935	Hennings	33/206
D121,395	S *	7/1940	Weinmann	D9/418
D136,524	S *	10/1943	Habif	D9/418
2,627,665	A	2/1953	Strnad	33/207
2,752,692	A	7/1956	Smith	33/208
2,820,302	A	1/1958	Mitchell	33/207
3,492,739	A	2/1970	Boyle, Jr.	33/207
D243,931	S *	4/1977	Pitkin et al.	D10/69
D255,504	S	6/1980	Vanderwerf	D10/74
4,912,854	A	4/1990	Weadon	33/348.2
D338,620	S *	8/1993	Brozowski	D9/418
D343,790	S *	2/1994	Mermelstein	D9/418
D373,528	S *	9/1996	Ser Tuen Wei	D9/431
D392,185	S *	3/1998	Husted	D9/418

**OTHER PUBLICATIONS**

1 Page Printout From Website <http://thetetrad.com> showing a plural arm leveling device of pyramidal shape (At least as early as Jan. 1, 2009).

\* cited by examiner

*Primary Examiner* — Dominic Simone

(74) *Attorney, Agent, or Firm* — David A. Burge

(57) **CLAIM**

I claim the ornamental design for a pyramidal-shaped package enclosing a pyramidal-shaped leveling device, as shown and described.

**DESCRIPTION**

FIG. 1 is a perspective view of my new design showing principally front and left side features thereof;

FIG. 2 is a tilted front view as seen from a plane indicated by a line 2-2 in FIG. 1;

FIG. 3 is a front view thereof;

FIG. 4 is a rear view thereof;

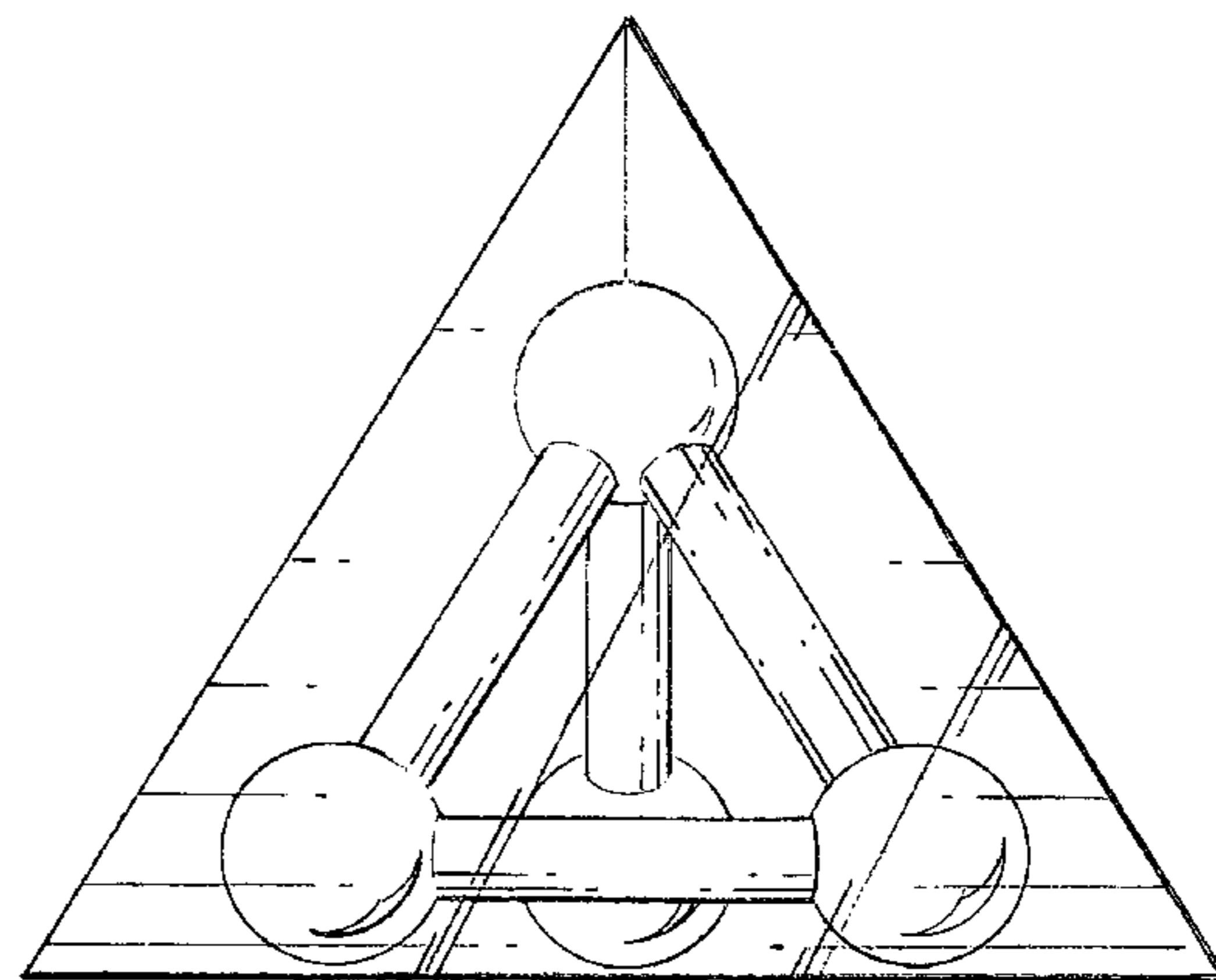
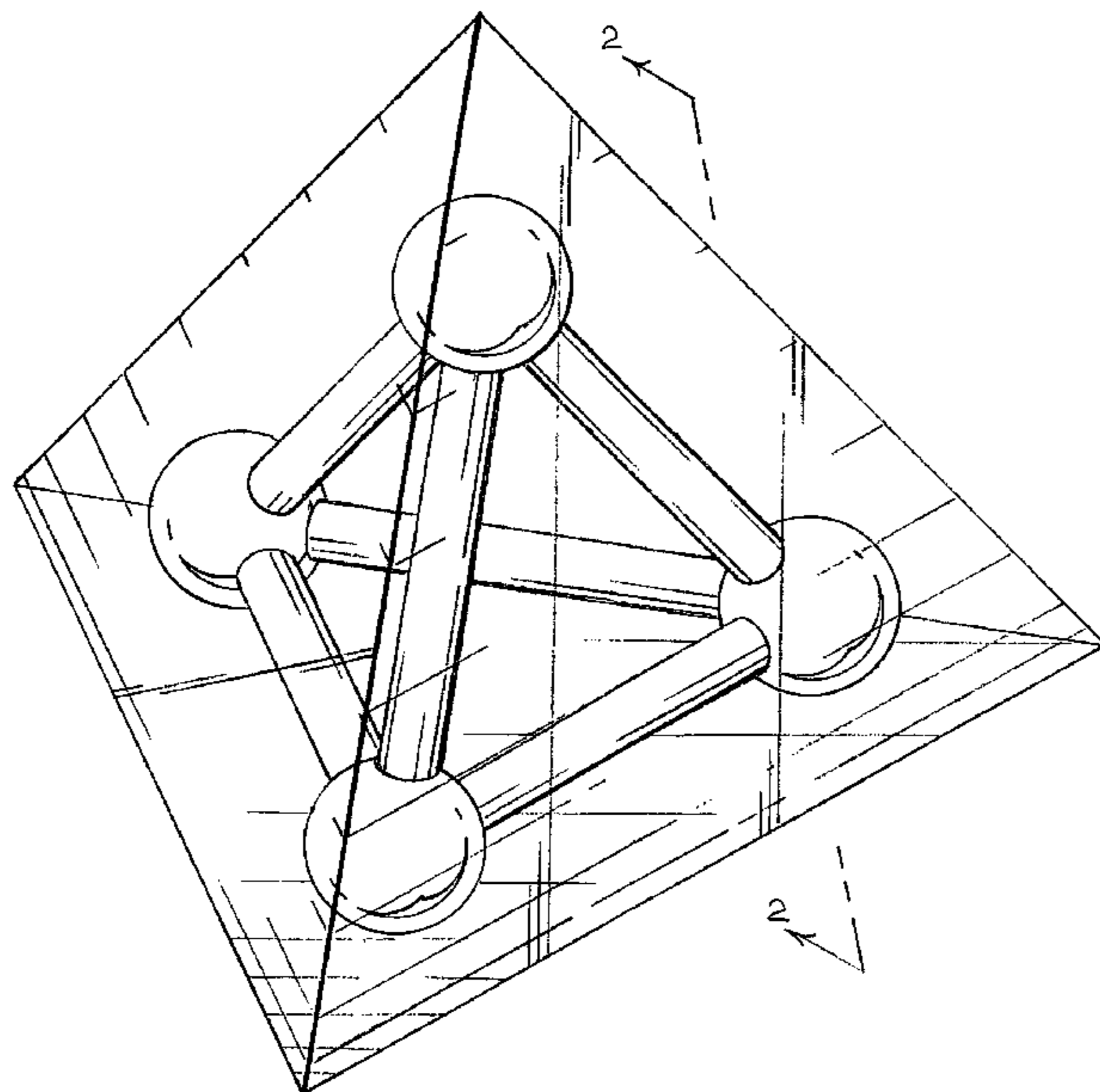
FIG. 5 is a top view thereof;

FIG. 6 is a bottom view thereof; and,

FIG. 7 is a right side view thereof, it being understood that a left side view would be a mirror image.

The transparent, pyramidal-shaped package portion of the design has four equilateral triangular surfaces of identical size. A pyramidal-shaped leveling device is enclosed in the transparent package portion of the design and includes four transparent balls of identical size that are connected by six transparent arms of equal length and uniform exterior diameter.

**1 Claim, 4 Drawing Sheets**



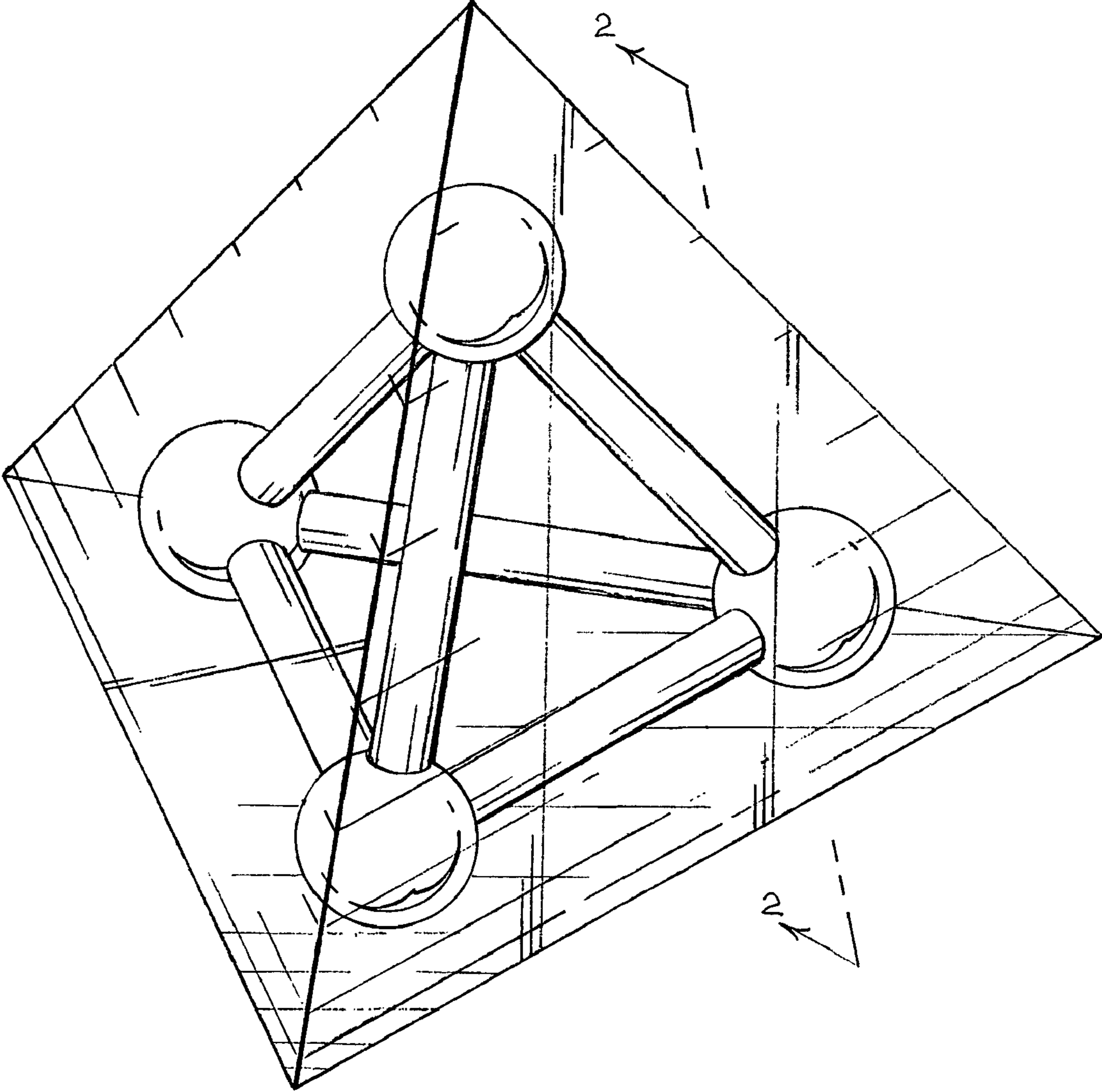


FIG. 1

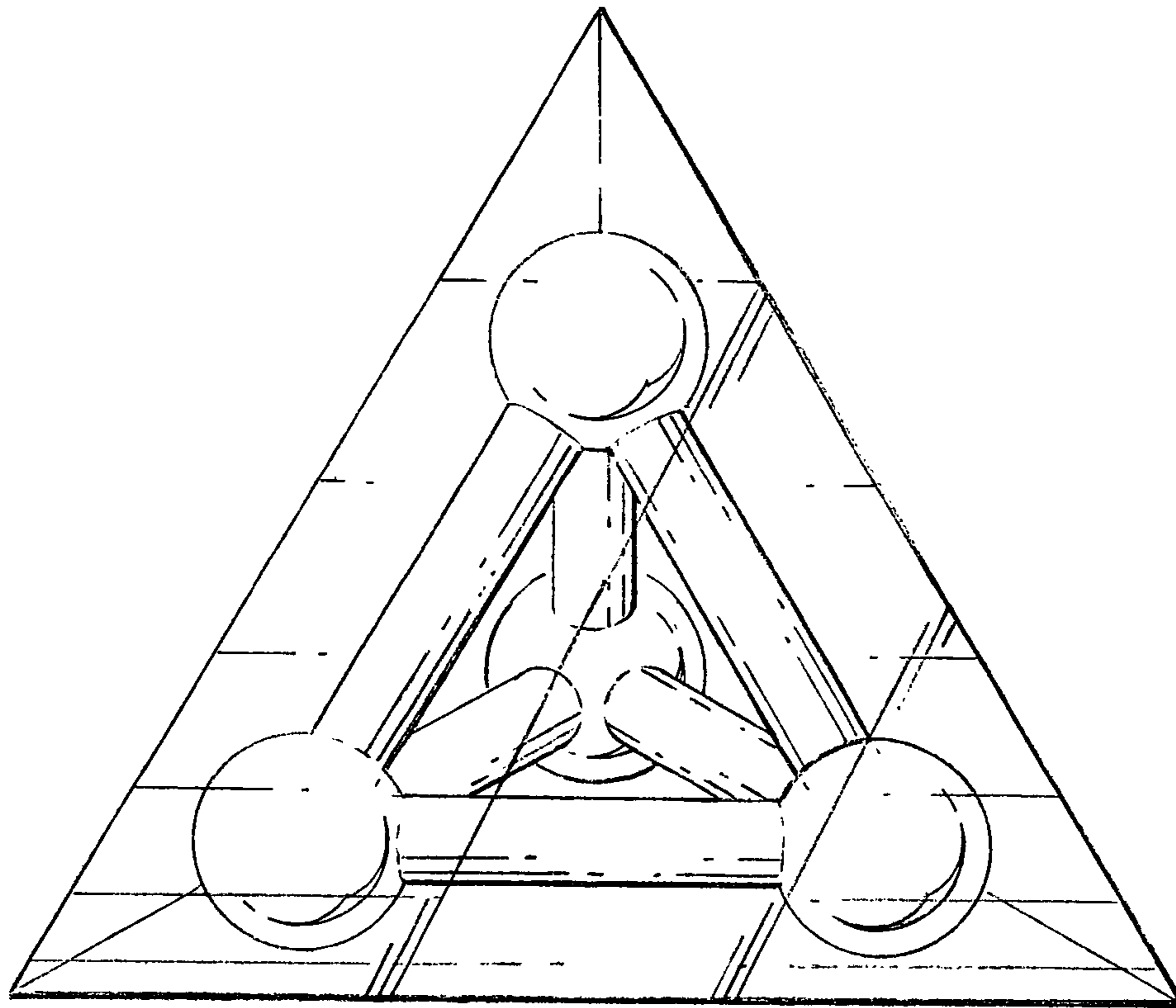


FIG. 2

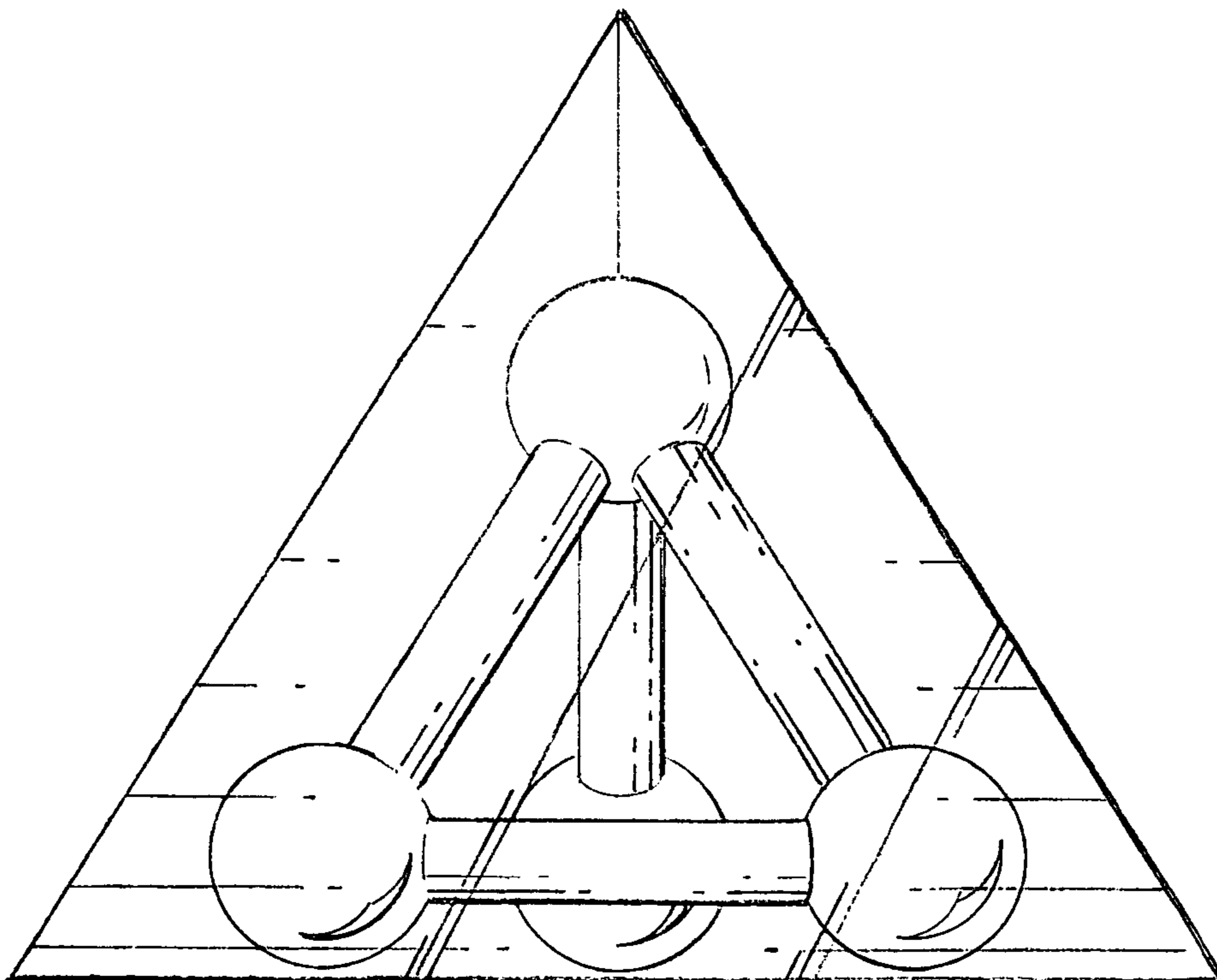


FIG. 3

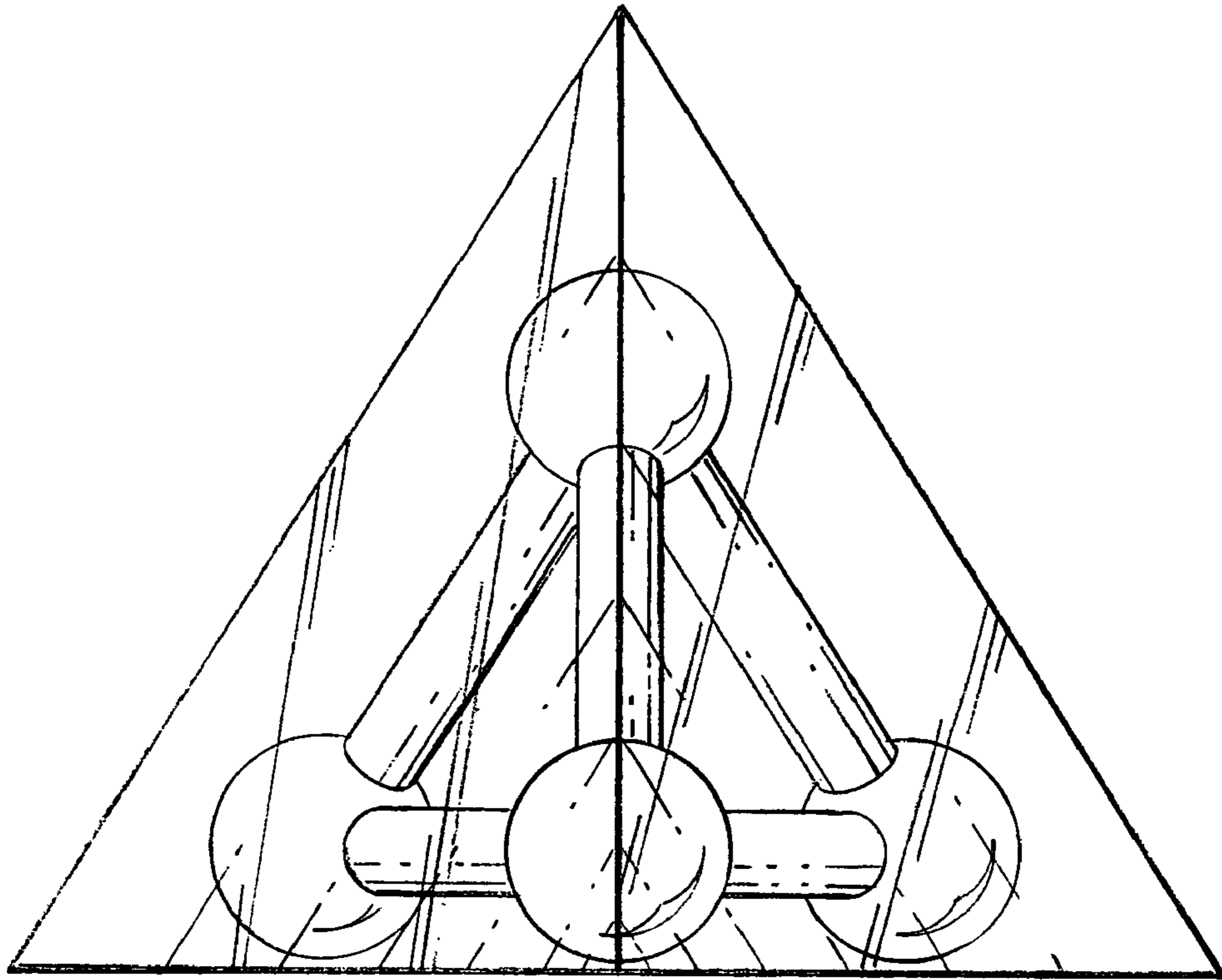


FIG. 4

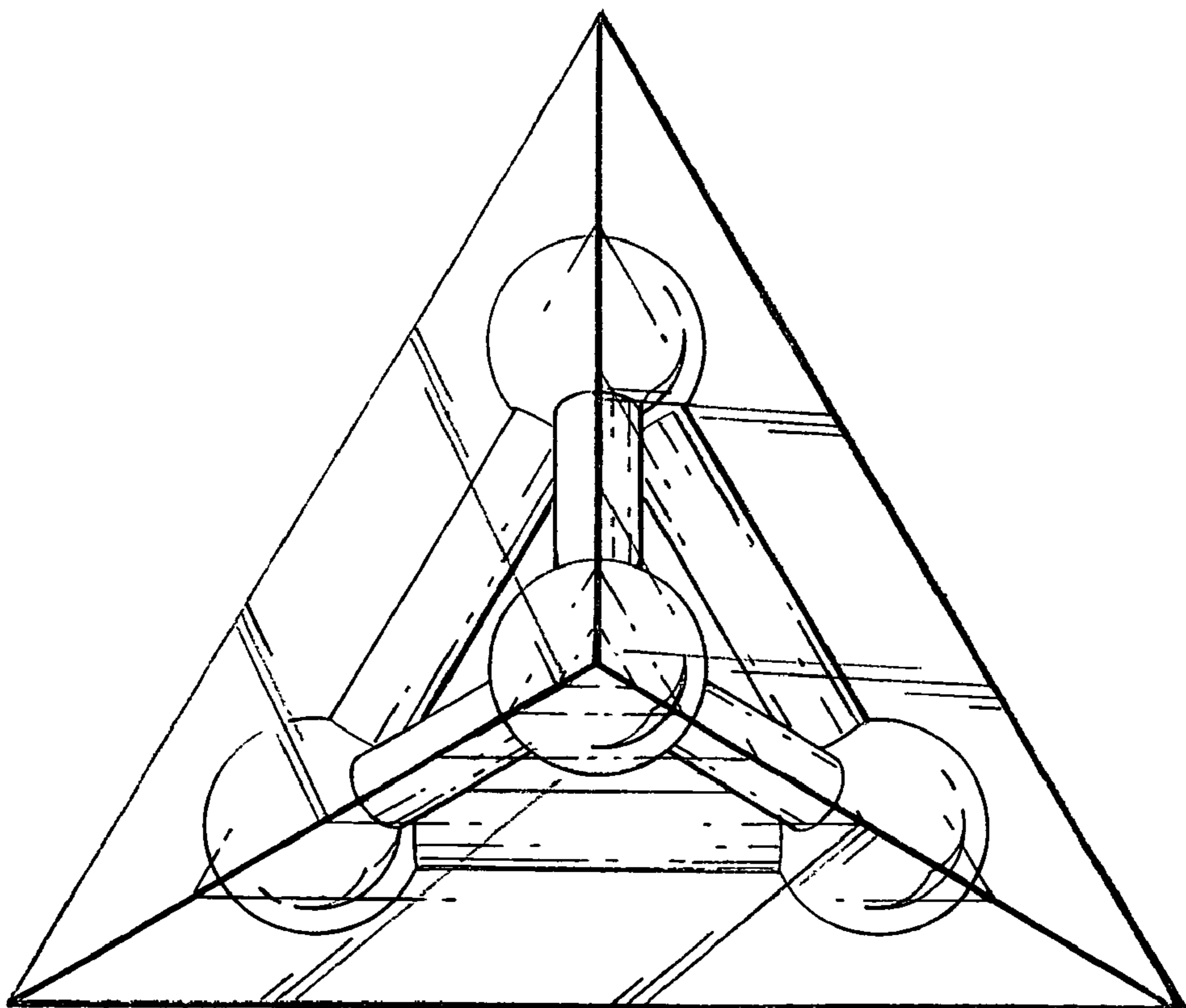


FIG. 5

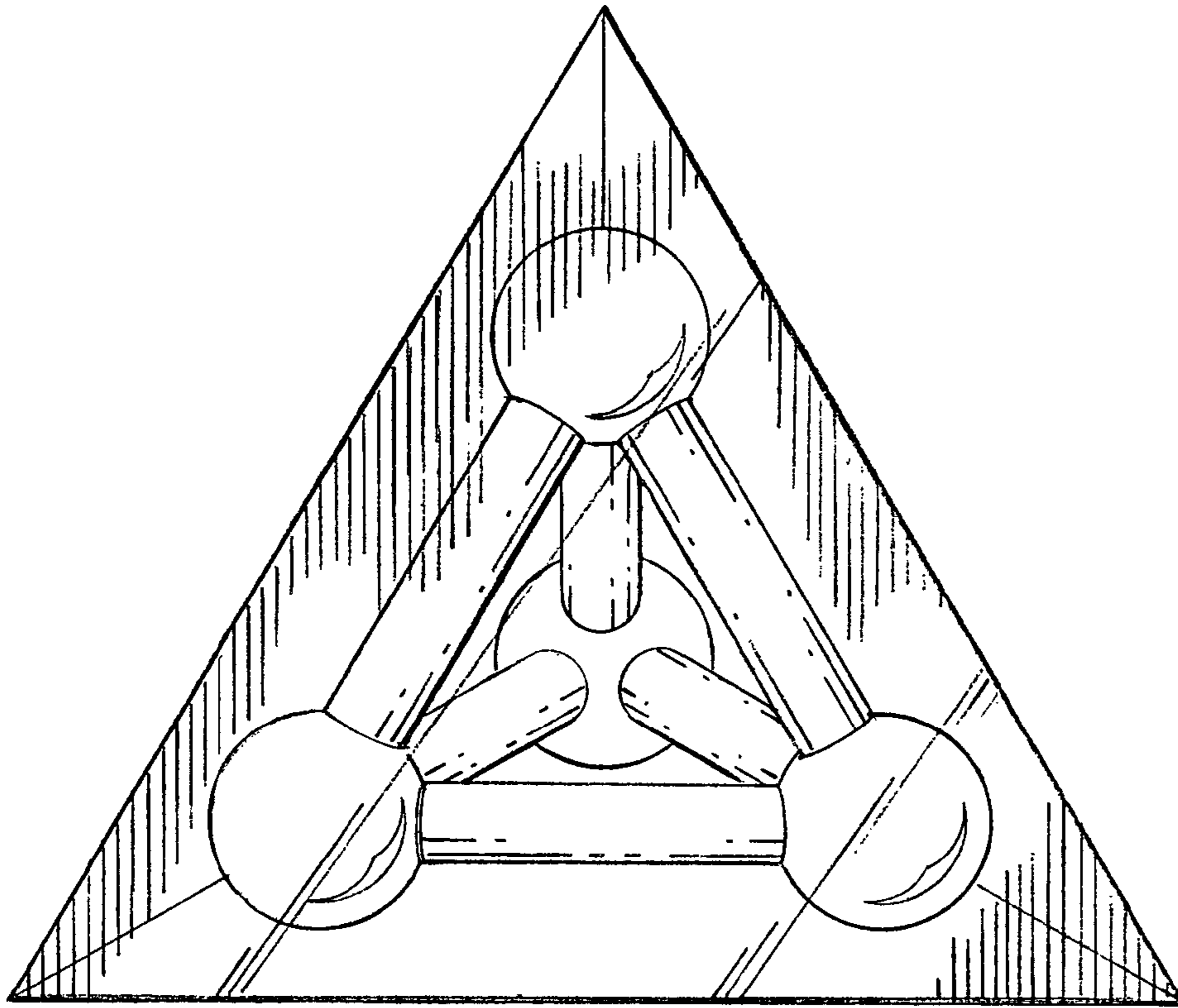


FIG. 6

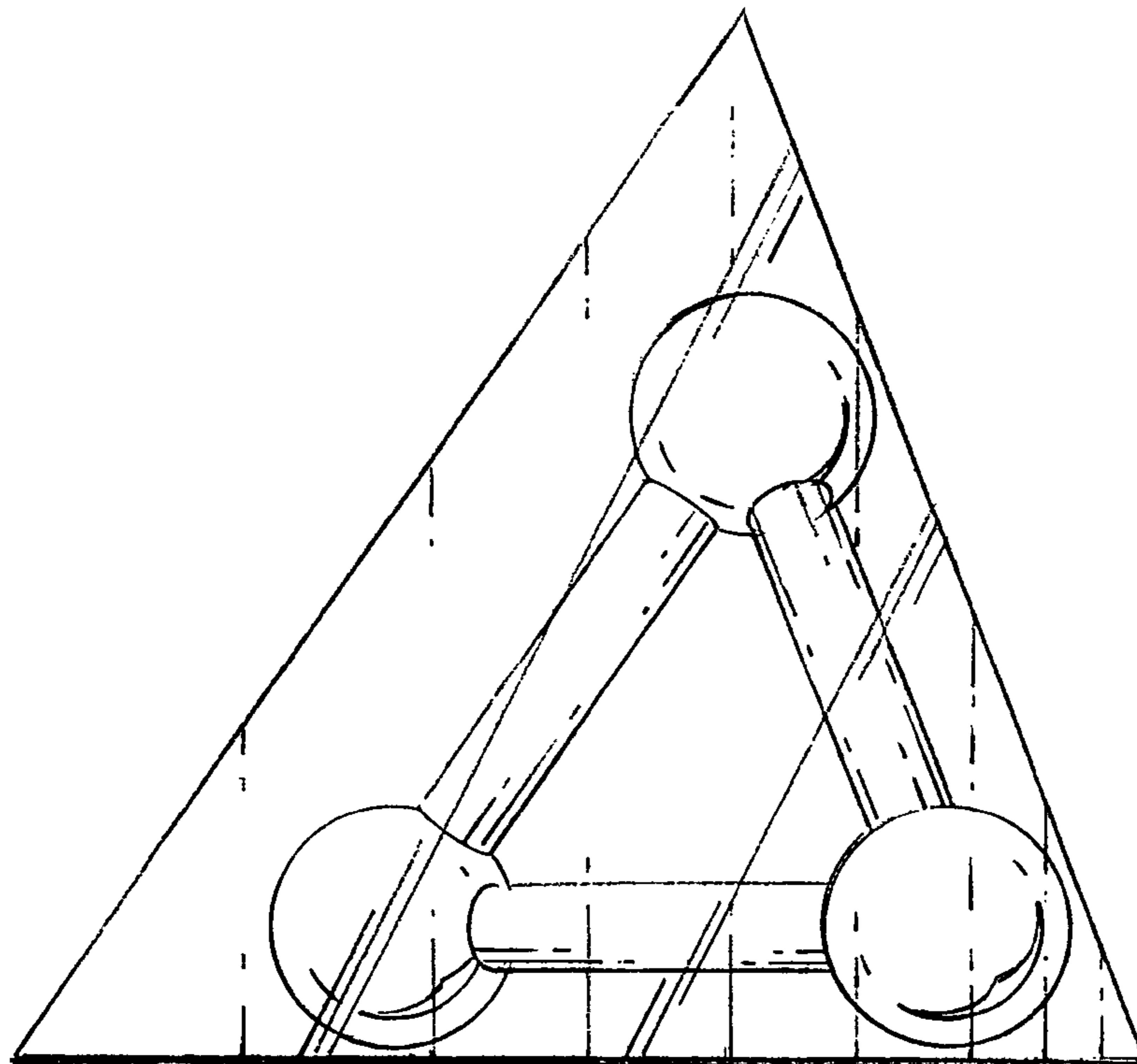


FIG. 7