



US00D649883S

(12) **United States Design Patent**
Foster

(10) **Patent No.:** **US D649,883 S**

(45) **Date of Patent:** **** Dec. 6, 2011**

(54) **CONTAINER**

(75) **Inventor:** **Jason E. Foster**, West Hollywood, CA
(US)

(73) **Assignee:** **Replenish Bottling, LLC**, West
Hollywood, CA (US)

(**) **Term:** **14 Years**

(21) **Appl. No.:** **29/365,560**

(22) **Filed:** **Jul. 9, 2010**

(51) **LOC (9) Cl.** **09-01**

(52) **U.S. Cl.** **D9/719**

(58) **Field of Classification Search** D9/524,
D9/541, 558, 719, 741, 744; 222/1, 129,
222/158, 377; 215/6; 206/221, 222; 141/113
See application file for complete search history.

(56) **References Cited**

U.S. PATENT DOCUMENTS

D367,815	S *	3/1996	Mason et al.	D9/741
7,178,523	B2 *	2/2007	Sundhar	128/205.24
7,377,383	B2 *	5/2008	Henry	206/222
7,565,988	B2 *	7/2009	Foster	222/129
D597,408	S *	8/2009	Chang	D9/524
D602,379	S *	10/2009	Traiforos	D9/744

D609,109	S *	2/2010	Gieske et al.	D9/558
7,850,043	B2 *	12/2010	Foster	222/1
D642,927	S *	8/2011	Foster	D9/558
2006/0113201	A1 *	6/2006	Micic et al.	206/221
2008/0035668	A1 *	2/2008	Foster	222/1

* cited by examiner

Primary Examiner — Thomas Johannes

(74) *Attorney, Agent, or Firm* — Kleinberg & Lerner, LLP;
Marvin H. Kleinberg

(57) **CLAIM**

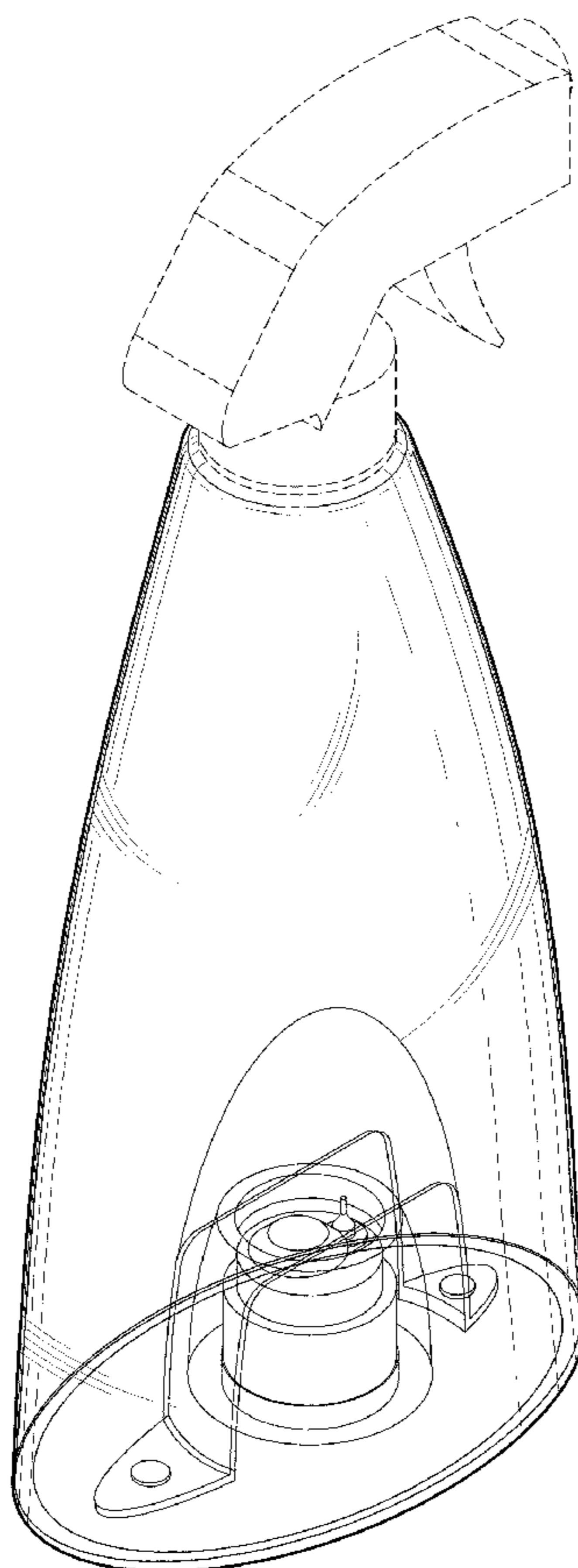
The ornamental design for a container, as shown and described.

DESCRIPTION

FIG. 1 is a perspective view of the container of the present invention;
FIG. 2 is a top view thereof;
FIG. 3 is a bottom view thereof;
FIG. 4 is a front view thereof;
FIG. 5 is a rear view thereof;
FIG. 6 is a left side view thereof; and,
FIG. 7 is a right side view thereof.

The broken line portion of the figure drawings is included to show unclaimed subject matter only and forms no part of the claimed design.

1 Claim, 6 Drawing Sheets



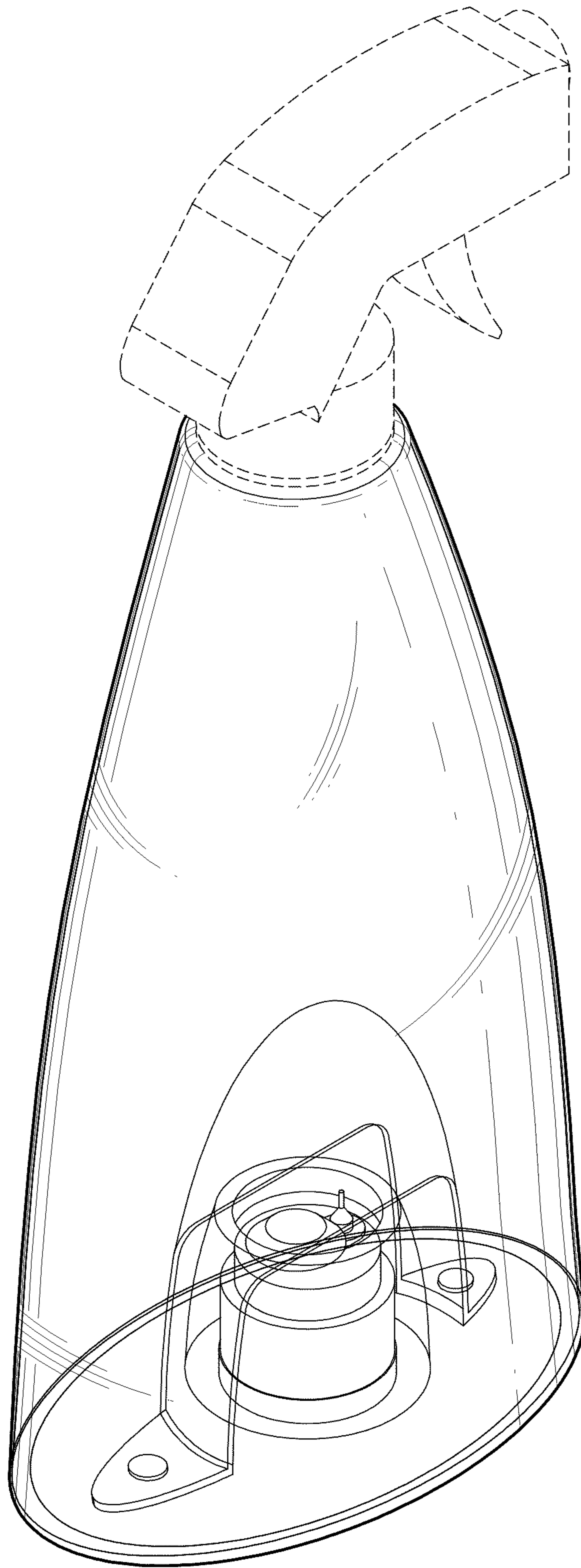


FIG. 1

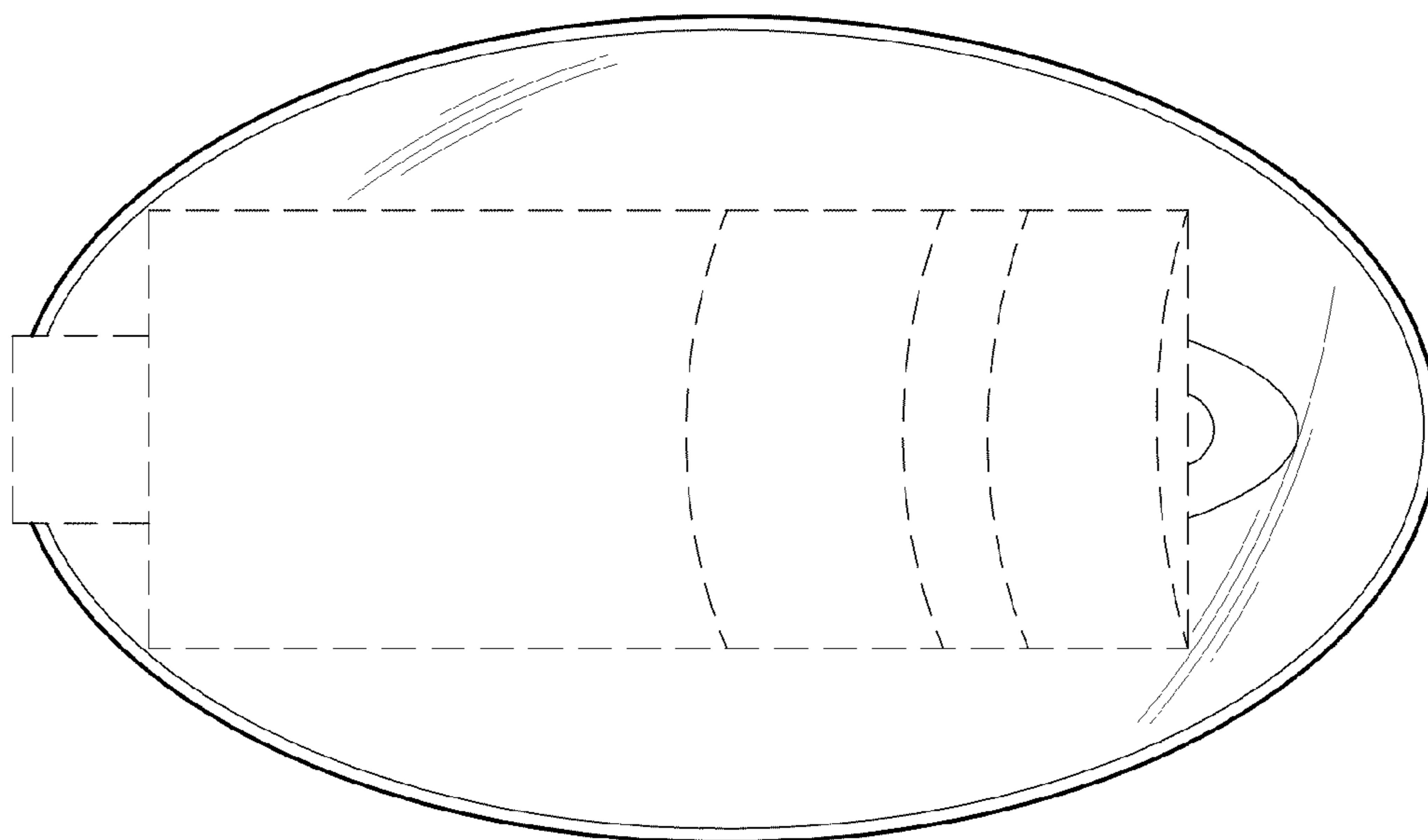


FIG. 2

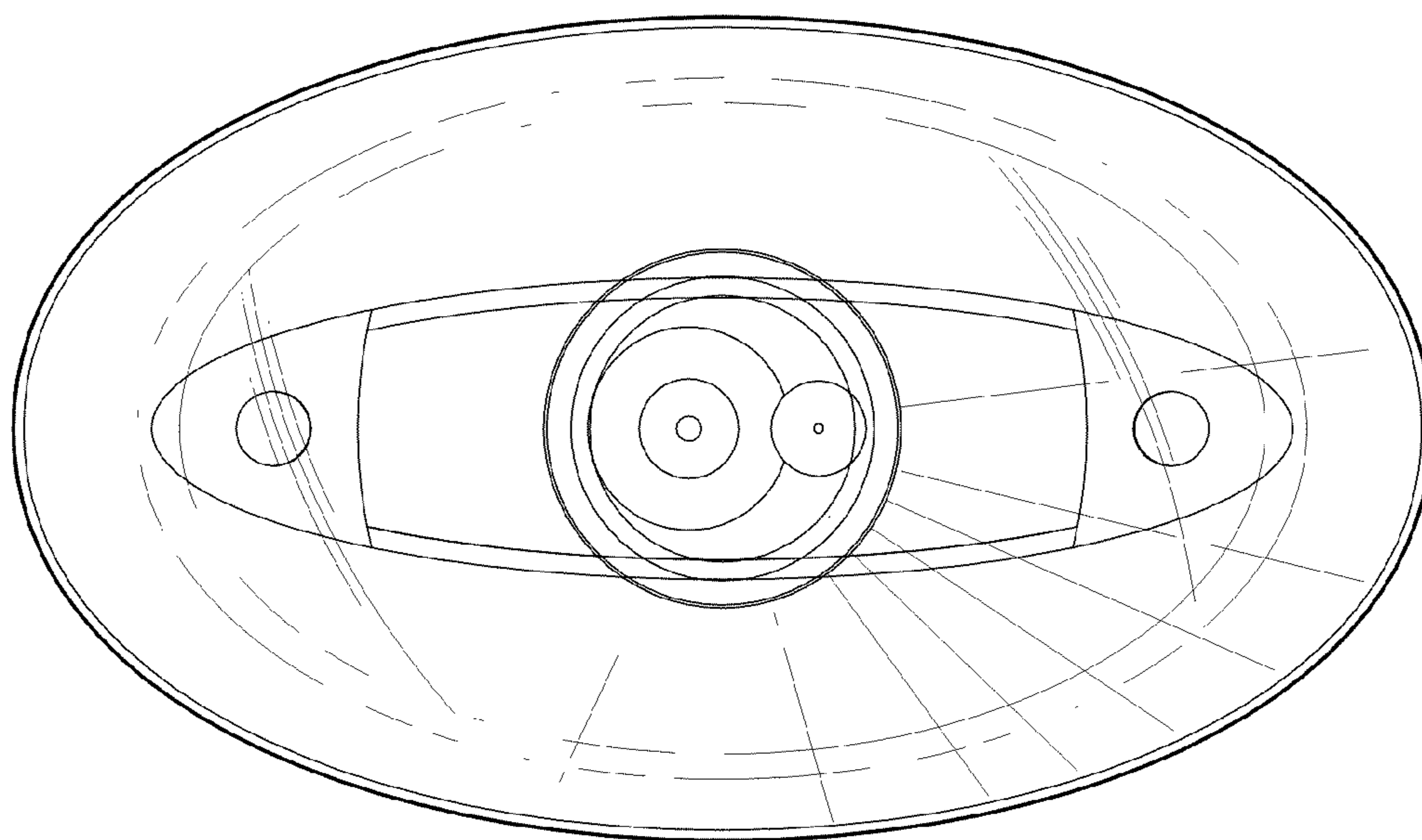


FIG. 3

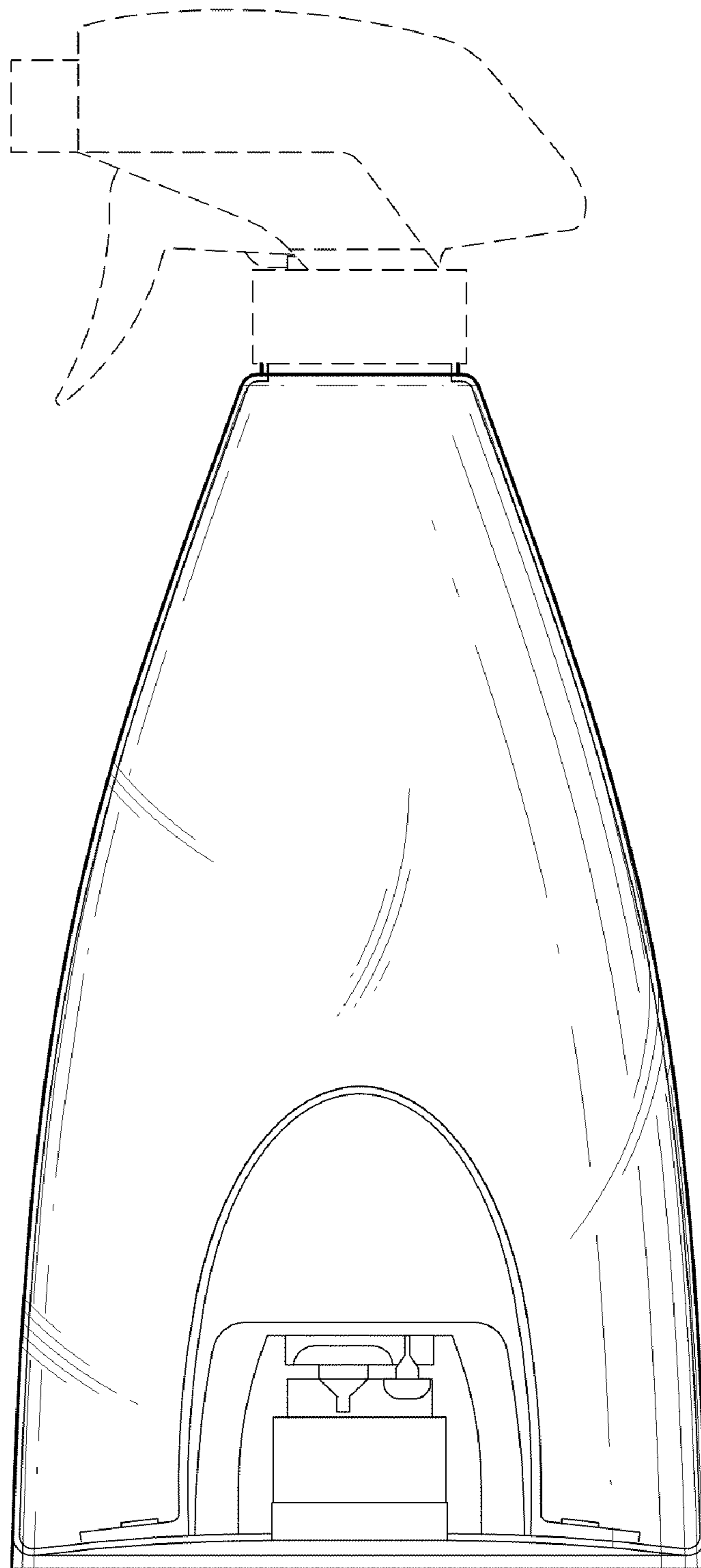


FIG. 4

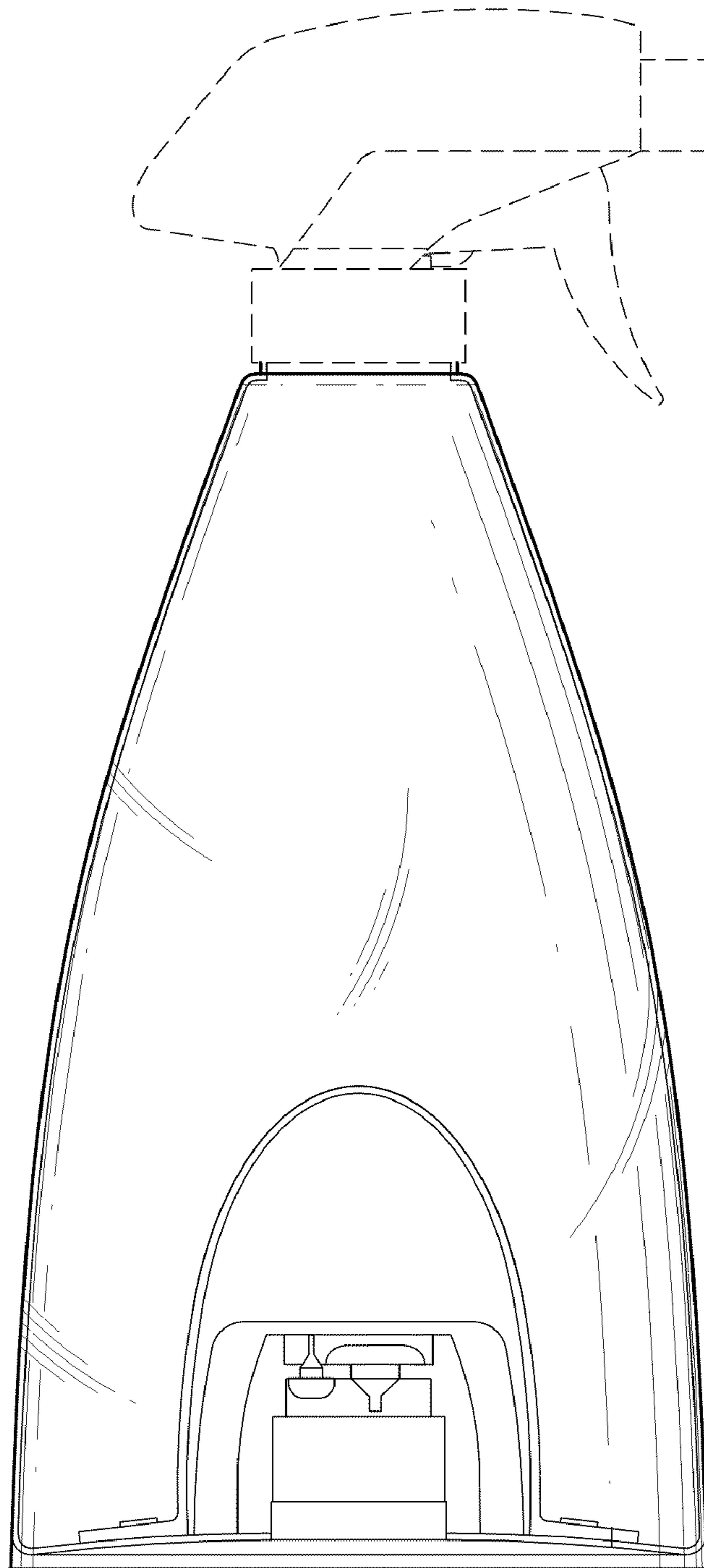


FIG. 5

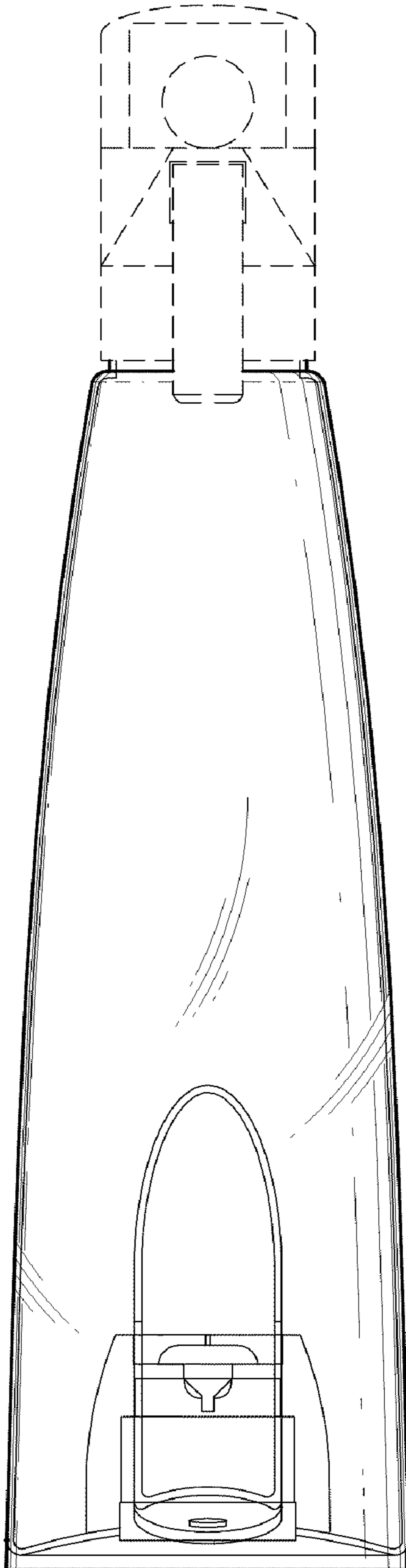


FIG. 6

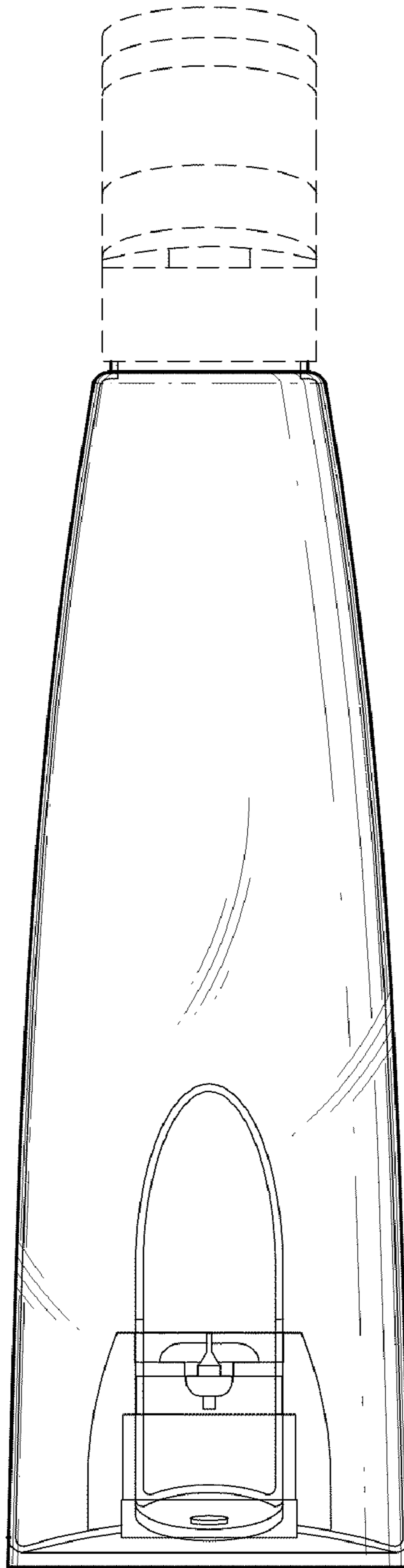


FIG. 7