

US00D649881S

(12) **United States Design Patent**  
**Rinderer et al.**

(10) **Patent No.:** **US D649,881 S**  
(45) **Date of Patent:** **\*\* Dec. 6, 2011**

(54) **BOTTLE**

(75) Inventors: **Matthias Rinderer**, Fuschl/See (AT);  
**Roland Concini**, Stallehr (AT); **Peter Huls**, Krov (DE); **Joachim Kalchmair**,  
Piberbach (AT); **Catherine Burger**,  
Strasswalchen (AT); **Nathalie Mikhaeel**,  
Salzburg (AT); **Gabriele**  
**Weber-Trinkfass**, Salzburg (AT)

(73) Assignee: **Red Bull GmbH**, Fuschl am See (AT)

(\*\*) Term: **14 Years**

(21) Appl. No.: **29/370,479**

(22) Filed: **Jul. 23, 2010**

(30) **Foreign Application Priority Data**

Jan. 27, 1920 (EM) ..... 001661786-0001  
Jan. 27, 1920 (EM) ..... 001661786-0002  
Jan. 27, 1920 (EM) ..... 001661786-0003

(51) **LOC (9) Cl.** ..... **09-01**

(52) **U.S. Cl.** ..... **D9/504; D7/511**

(58) **Field of Classification Search** ..... D9/500,  
D9/502-505, 516, 529, 537, 539-540, 542-545,  
D9/549, 558, 574-575, 682, 686, 688-692;  
D7/591, 597, 679, 509-511, 30.1, 608; 215/379,  
215/381-382; 220/660, 662, 669, 675  
See application file for complete search history.

(56) **References Cited**

**U.S. PATENT DOCUMENTS**

D212,843 S \* 12/1968 Hart et al. .... D9/452  
D219,898 S \* 2/1971 Buckley ..... D7/300.1

D285,656 S \* 9/1986 Champion ..... D9/503  
D291,523 S \* 8/1987 Minuti ..... D7/300.1  
D365,759 S \* 1/1996 Otani et al. .... D9/504  
D404,255 S \* 1/1999 Asberg ..... D7/511  
D417,589 S \* 12/1999 Parker ..... D7/510  
D417,847 S \* 12/1999 Rush et al. .... D9/454  
D438,298 S \* 2/2001 McNutt ..... D23/367  
D468,588 S \* 1/2003 Norris et al. .... D7/532  
D483,982 S \* 12/2003 Irvine ..... D7/300.1  
D488,672 S \* 4/2004 Oas ..... D7/507  
D536,976 S \* 2/2007 Ciulla et al. .... D9/500  
D536,986 S \* 2/2007 Nix et al. .... D9/551  
D566,451 S \* 4/2008 Wang ..... D7/300.1  
D570,213 S \* 6/2008 Newman ..... D9/447  
D590,662 S \* 4/2009 Cheng ..... D7/511  
D591,595 S \* 5/2009 Tedford, Jr. .... D9/447  
D623,474 S \* 9/2010 Carlson et al. .... D7/510  
D631,357 S \* 1/2011 Pagliaro ..... D9/502  
D634,159 S \* 3/2011 Bodum ..... D7/509

\* cited by examiner

*Primary Examiner* — Ian Simmons

*Assistant Examiner* — Dana L Sipos

(74) *Attorney, Agent, or Firm* — Chapman and Cutler LLP

(57) **CLAIM**

The ornamental design for a bottle, as shown and described.

**DESCRIPTION**

FIG. 1 is a front perspective view of a bottle showing our new design;

FIG. 2 is a front elevational view thereof, the left side, right side, and rear elevational views thereof being identical thereto; and,

FIG. 3 is a top plan view thereof.

The broken line showing of a mouthpiece is for the purpose of illustrating only and forms no part of the claimed design.

**1 Claim, 3 Drawing Sheets**

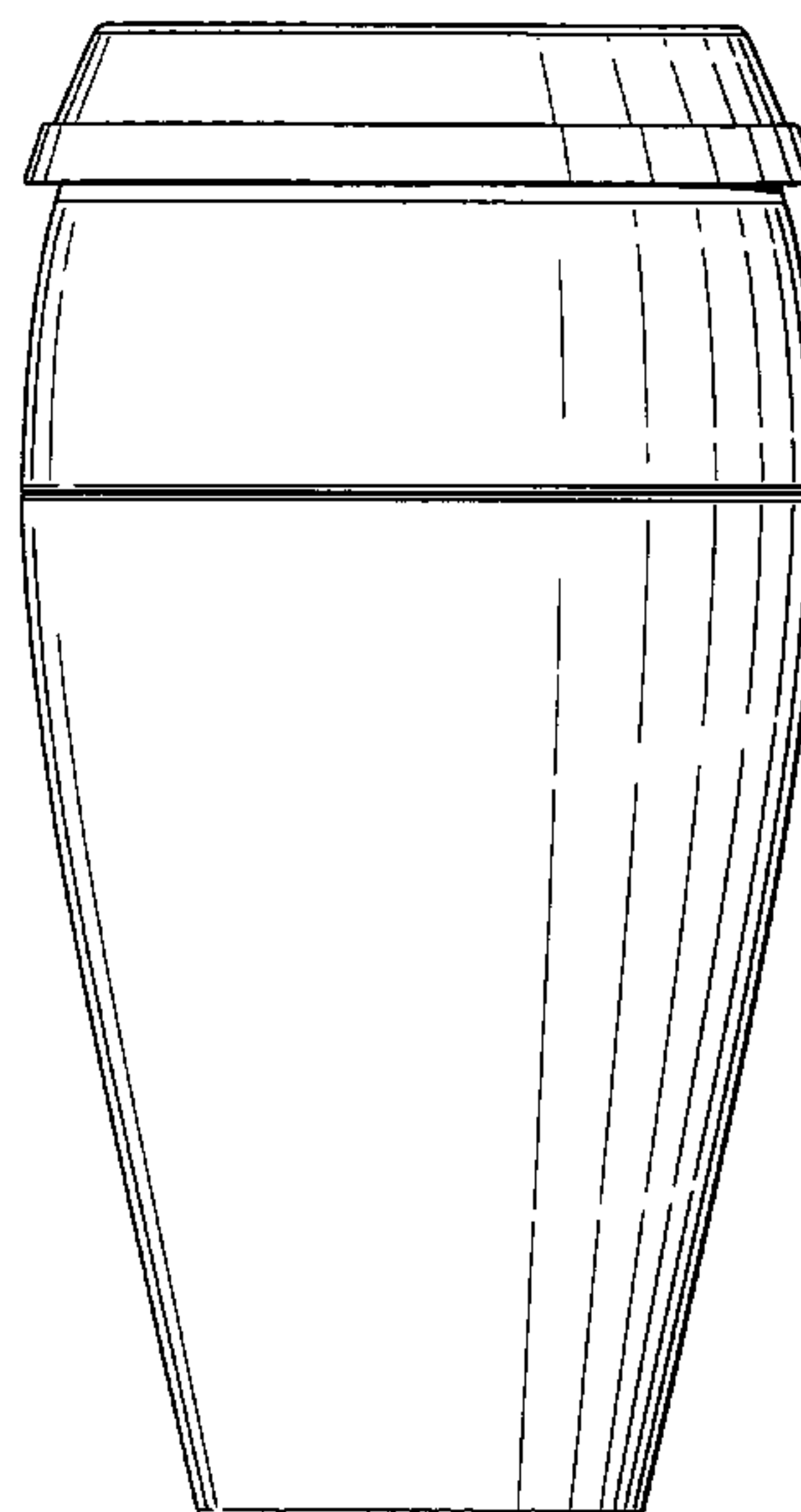
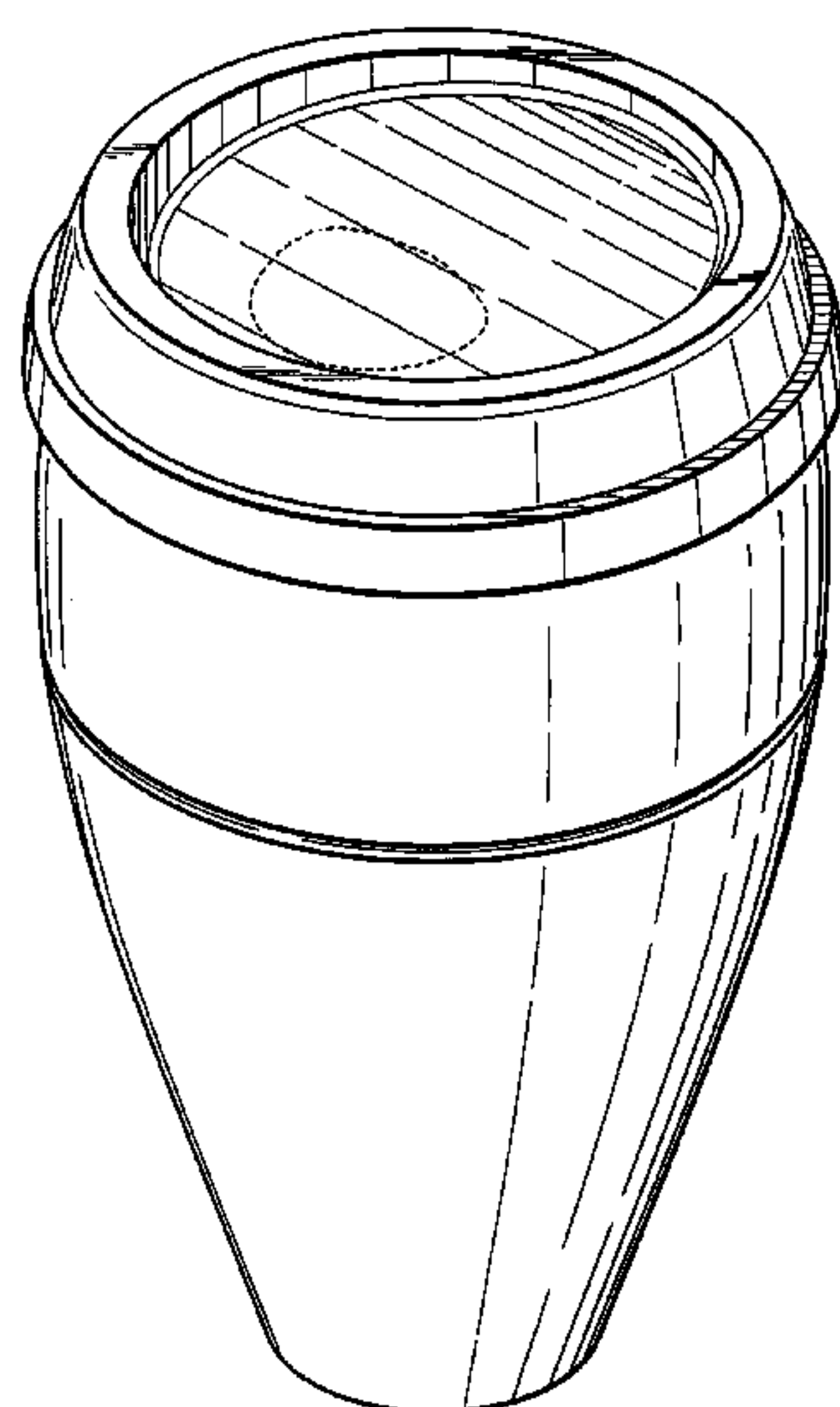


Fig. 1

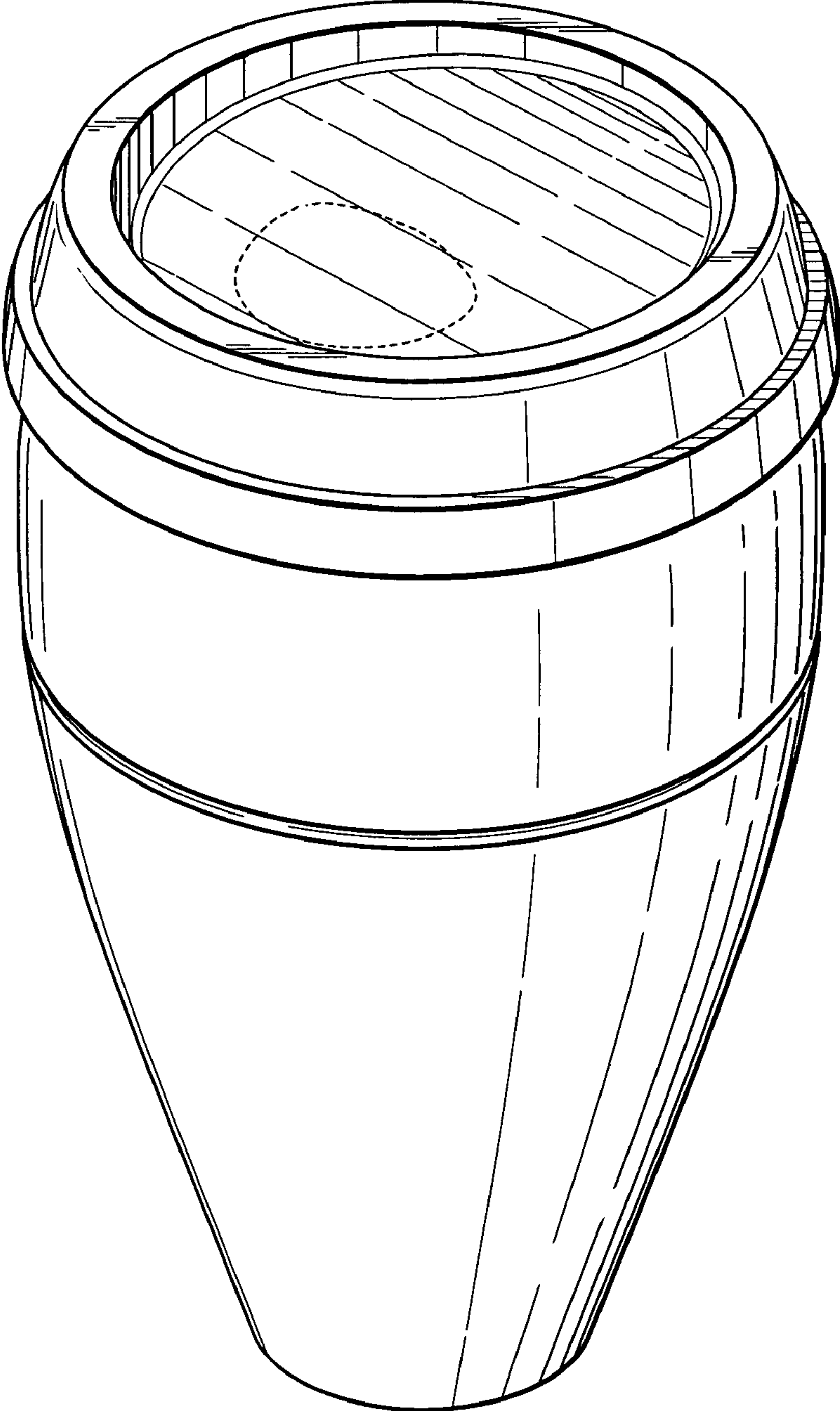


Fig. 2

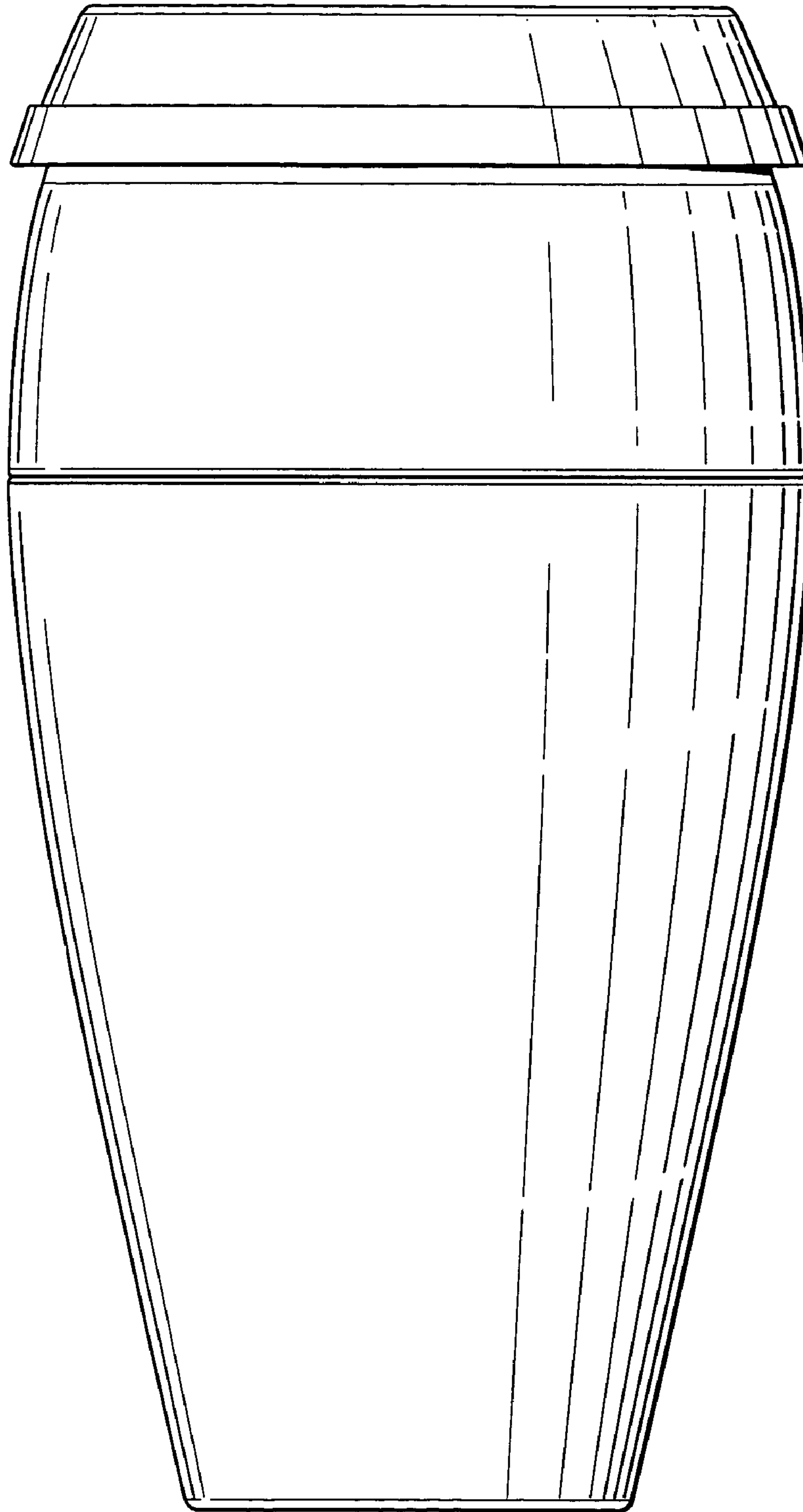
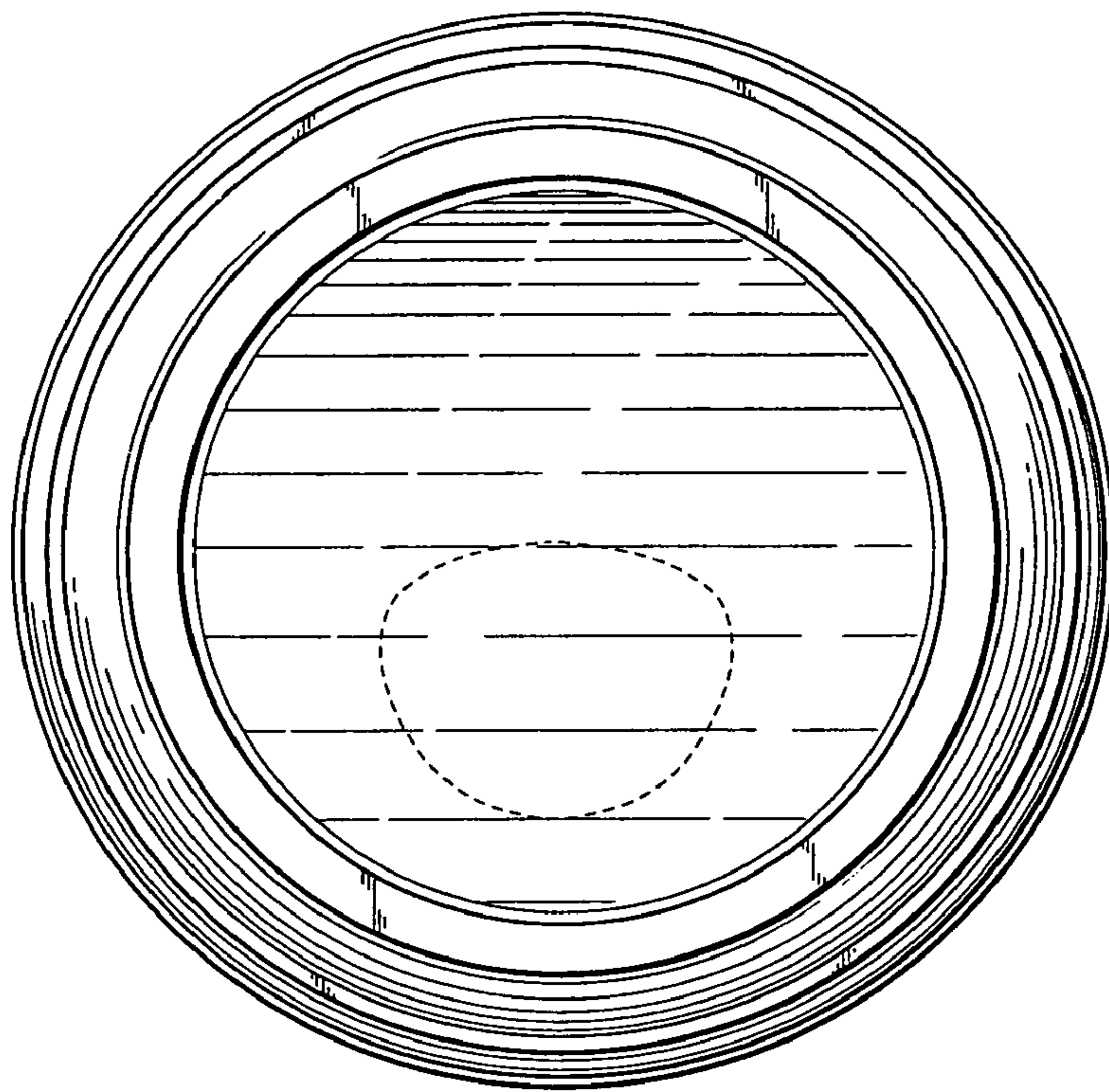


Fig. 3



UNITED STATES PATENT AND TRADEMARK OFFICE  
**CERTIFICATE OF CORRECTION**

PATENT NO. : D649,881 S  
APPLICATION NO. : 29/370479  
DATED : December 6, 2011  
INVENTOR(S) : Matthias Rinderer et al.

Page 1 of 1

It is certified that error appears in the above-identified patent and that said Letters Patent is hereby corrected as shown below:

On the Title Page, at

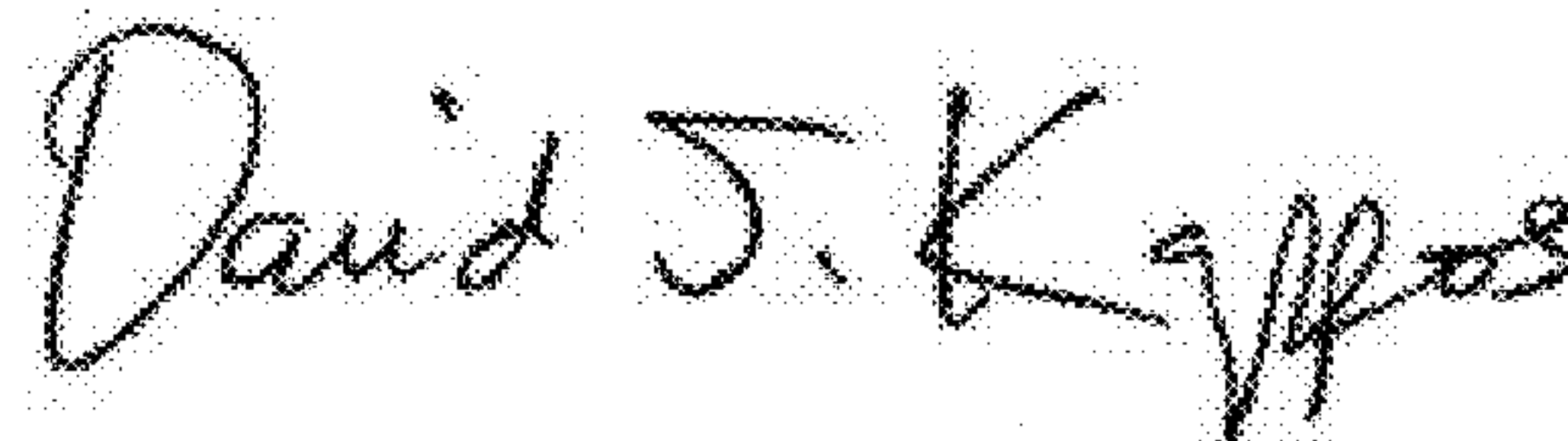
Item [30], Foreign Application Priority Data, change:

“January 27, 1920 (EM).....001661786001  
January 27, 1920 (EM).....001661786002  
January 27, 1920 (EM).....001661786003”

to:

--January 27, 2010 (EM).....001661786001  
January 27, 2010 (EM).....001661786002  
January 27, 2010 (EM).....001661786003--

Signed and Sealed this  
Twenty-third Day of October, 2012



David J. Kappos  
*Director of the United States Patent and Trademark Office*