



US00D649879S

(12) **United States Design Patent**
Gullickson et al.

(10) **Patent No.:** **US D649,879 S**
(45) **Date of Patent:** **** Dec. 6, 2011**

(54) **WATER BOTTLE LID**

(76) Inventors: **Mark Gullickson**, Santa Monica, CA (US); **Erik R. Chin**, Las Vegas, NV (US); **Jeffrey A. Higashi**, Torrance, CA (US); **Tola I. Chin**, Las Vegas, NV (US)

(**) Term: **14 Years**

(21) Appl. No.: **29/351,346**

(22) Filed: **Dec. 3, 2009**

(51) **LOC (9) Cl.** **09-07**

(52) **U.S. Cl.** **D9/450; D9/454; D9/443**

(58) **Field of Classification Search** D9/631, D9/456, 453, 451, 450, 449, 448, 447, 443, D9/436, 435; D7/511, 396.2, 394, 393, 392.1, D7/314, 305; 222/83, 81, 556, 533, 530, 222/519, 205, 192, 158, 153.07; 220/212.5, 220/200; 215/306, 305, 228, 200; 206/541, 206/222, 221, 220, 219, 216

See application file for complete search history.

(56) **References Cited**

U.S. PATENT DOCUMENTS

D369,943	S	*	5/1996	Dark	D7/392.1
D396,190	S	*	7/1998	Haley	D9/449
D580,227	S	*	11/2008	Roth et al.	D7/392.1
7,533,783	B2	*	5/2009	Choi et al.	220/714
D599,664	S	*	9/2009	Fujinami et al.	D9/443
2006/0226110	A1	*	10/2006	Choi et al.	215/228

* cited by examiner

Primary Examiner — Susan Bennett Hattan

(74) *Attorney, Agent, or Firm* — Booth Udall, PLC; Steven J. Laureanti

(57) **CLAIM**

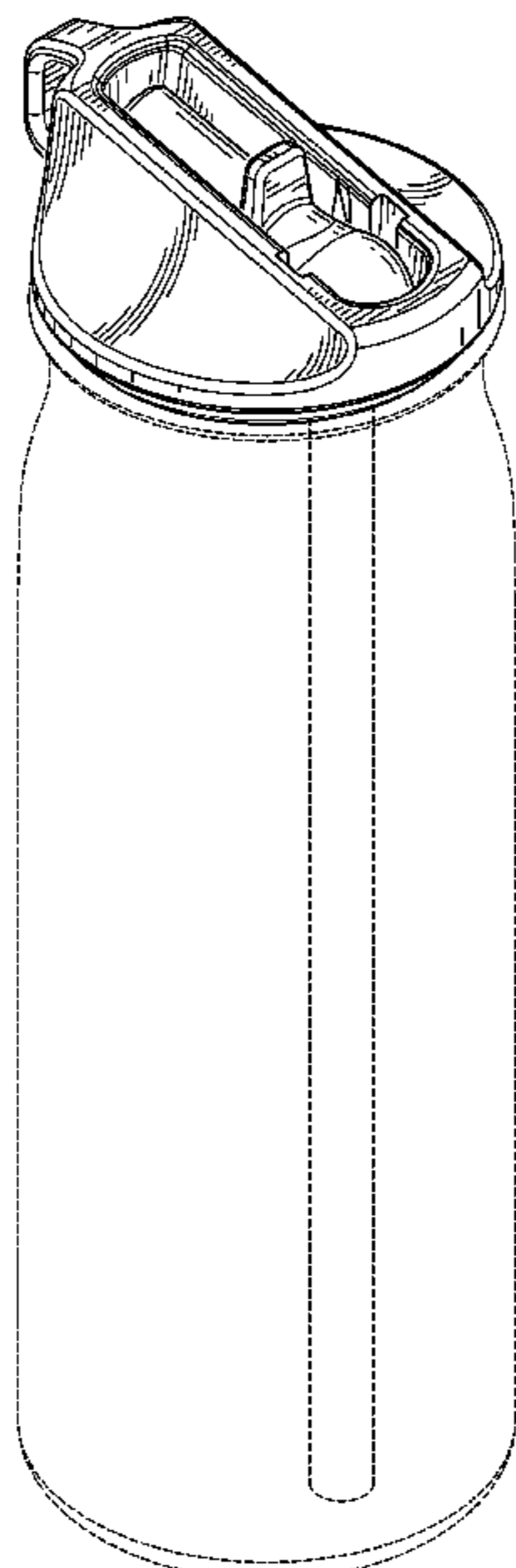
The ornamental design for a water bottle lid, as shown and described.

DESCRIPTION

FIG. 1 is a perspective view of the present invention in a closed position;
 FIG. 2 is a left view of the present invention in a closed position;
 FIG. 3 is a front side view of the present invention in a closed position;
 FIG. 4 is a back side view of the present invention in a closed position;
 FIG. 5 is a right side view of the present invention in a closed position;
 FIG. 6 is a top view of the present invention in a closed position;
 FIG. 7 is a bottom view of the present invention in a closed position;
 FIG. 8 is a perspective view of the present invention in an open position;
 FIG. 9 is a left view of the present invention in an open position;
 FIG. 10 is a front side view of the present invention in an open position;
 FIG. 11 is a back side view of the present invention in an open position;
 FIG. 12 is a right side view of the present invention in an open position;
 FIG. 13 is a top view of the present invention in an open position; and,
 FIG. 14 is a bottom view of the present invention in an open position.

The broken lines in all Figures immediately adjacent the solid lines represent the bounds of the claim, and the broken lines and the area within the broken lines represent unclaimed portions of the present invention. None of the broken lines form a part of the claimed design.

1 Claim, 8 Drawing Sheets



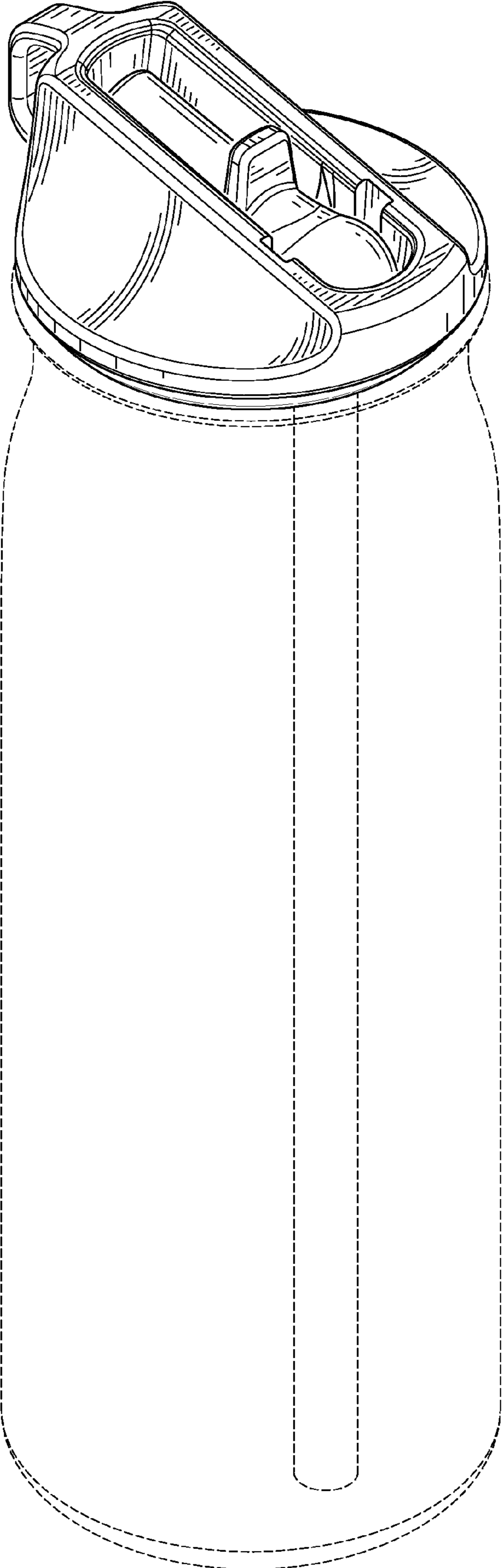


FIG. 1

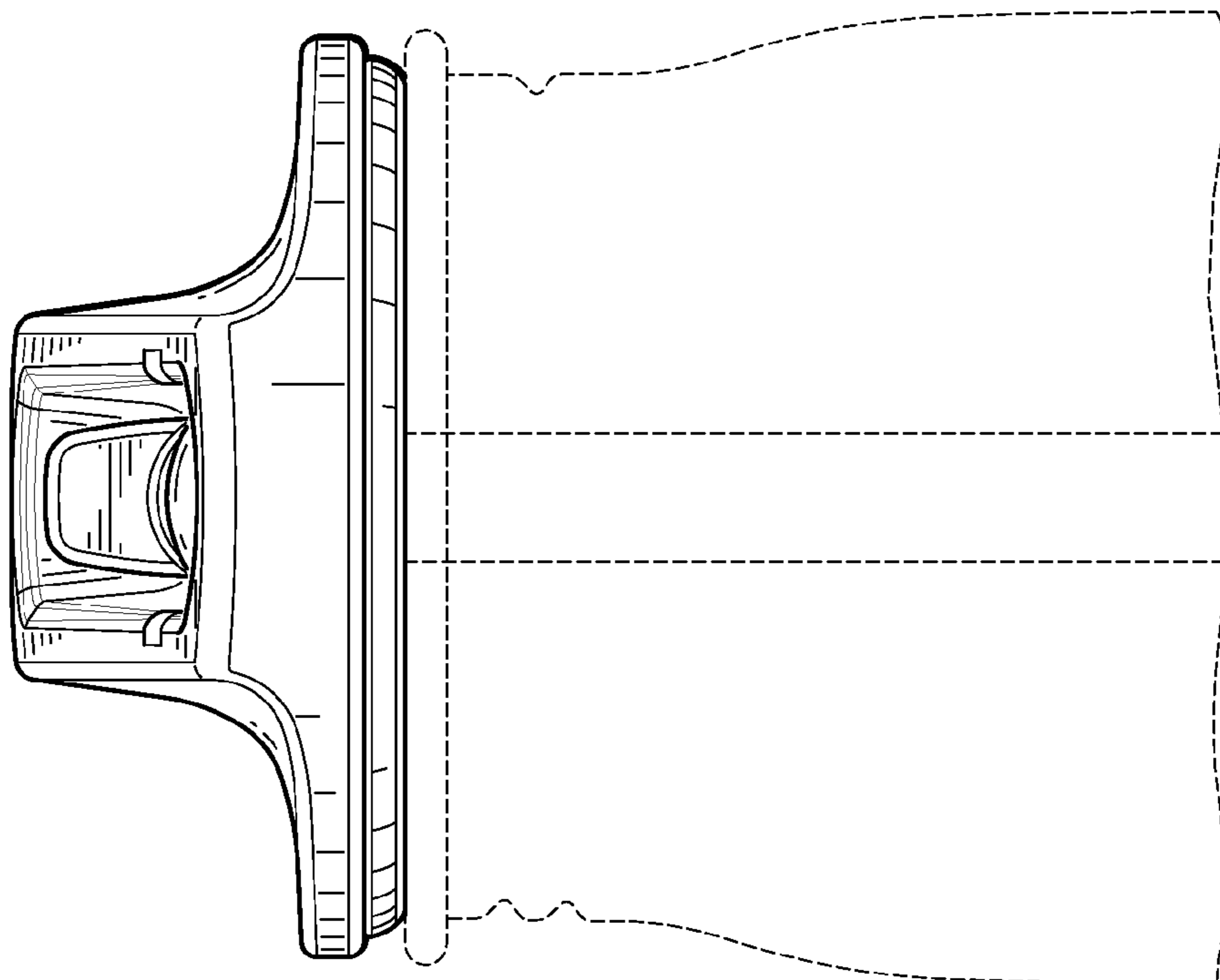


FIG. 2

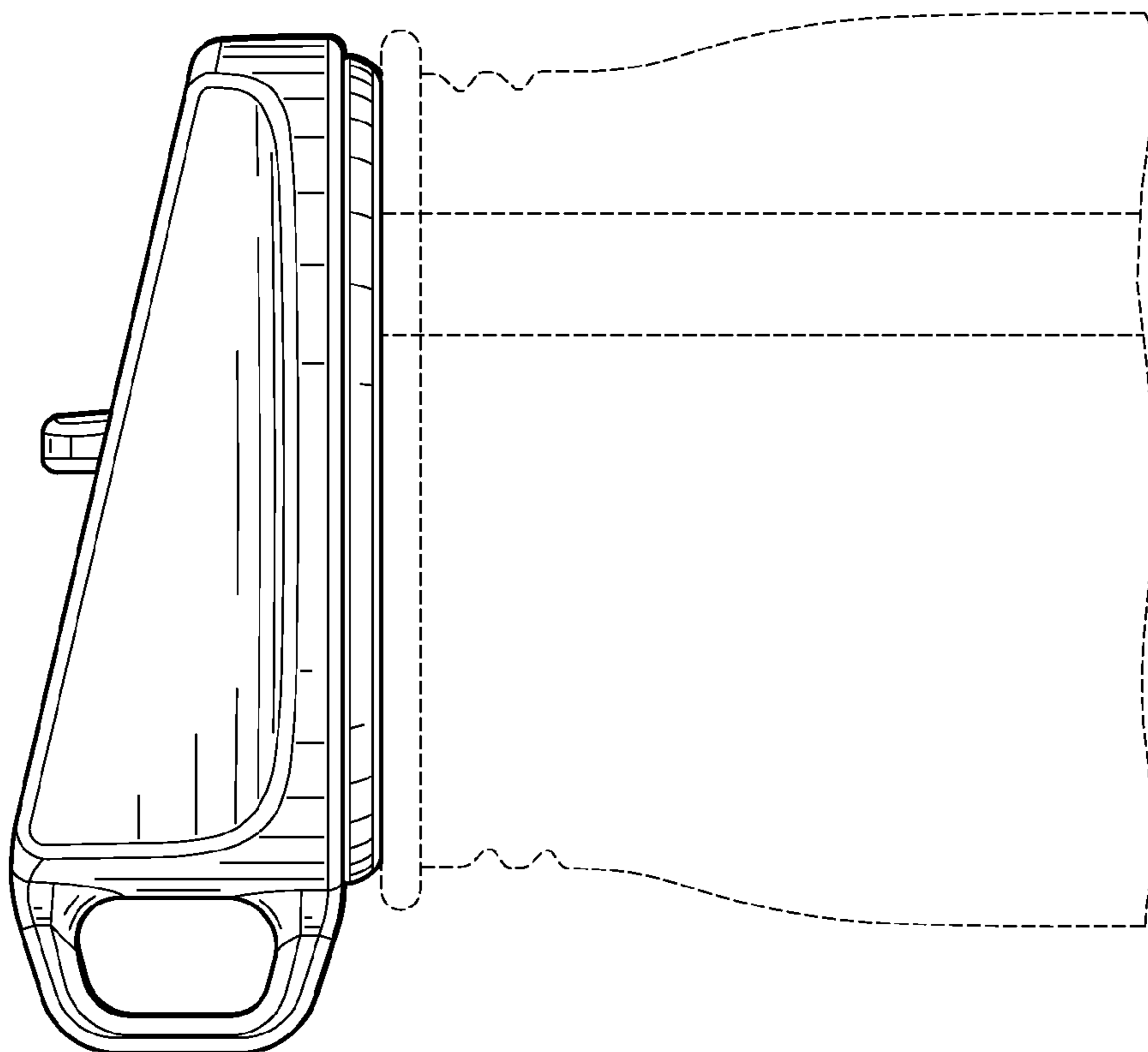


FIG. 3

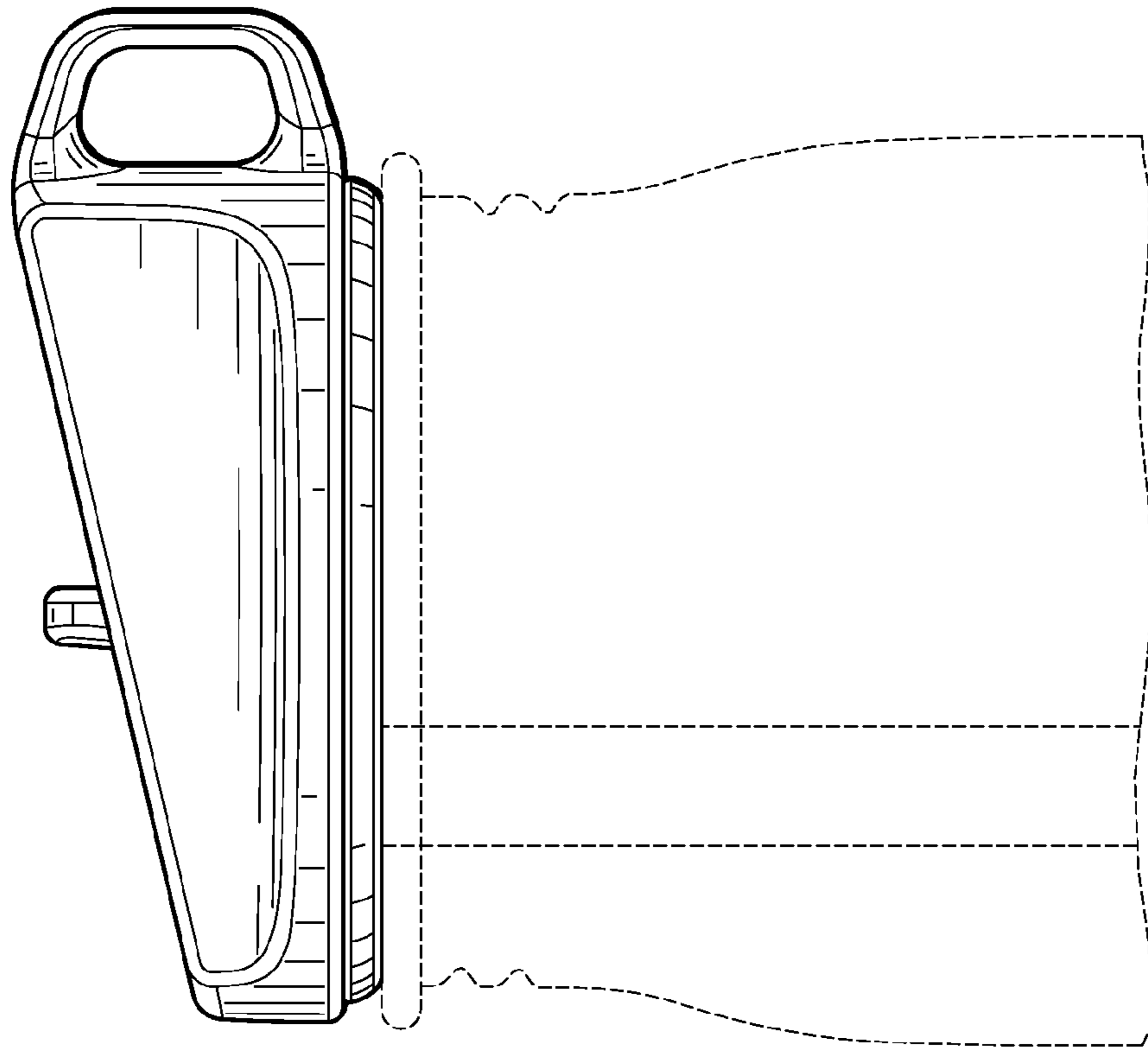


FIG. 5

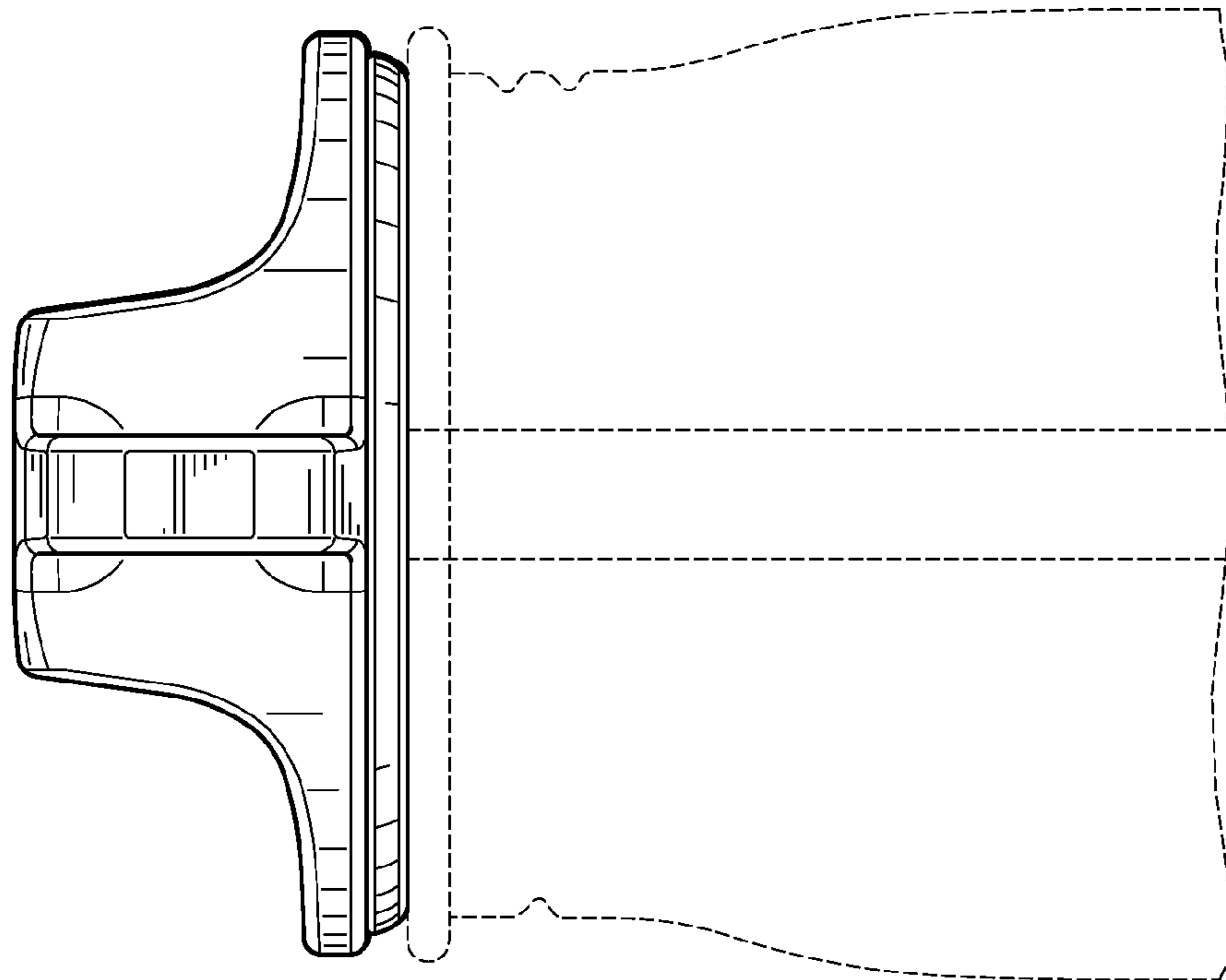


FIG. 4

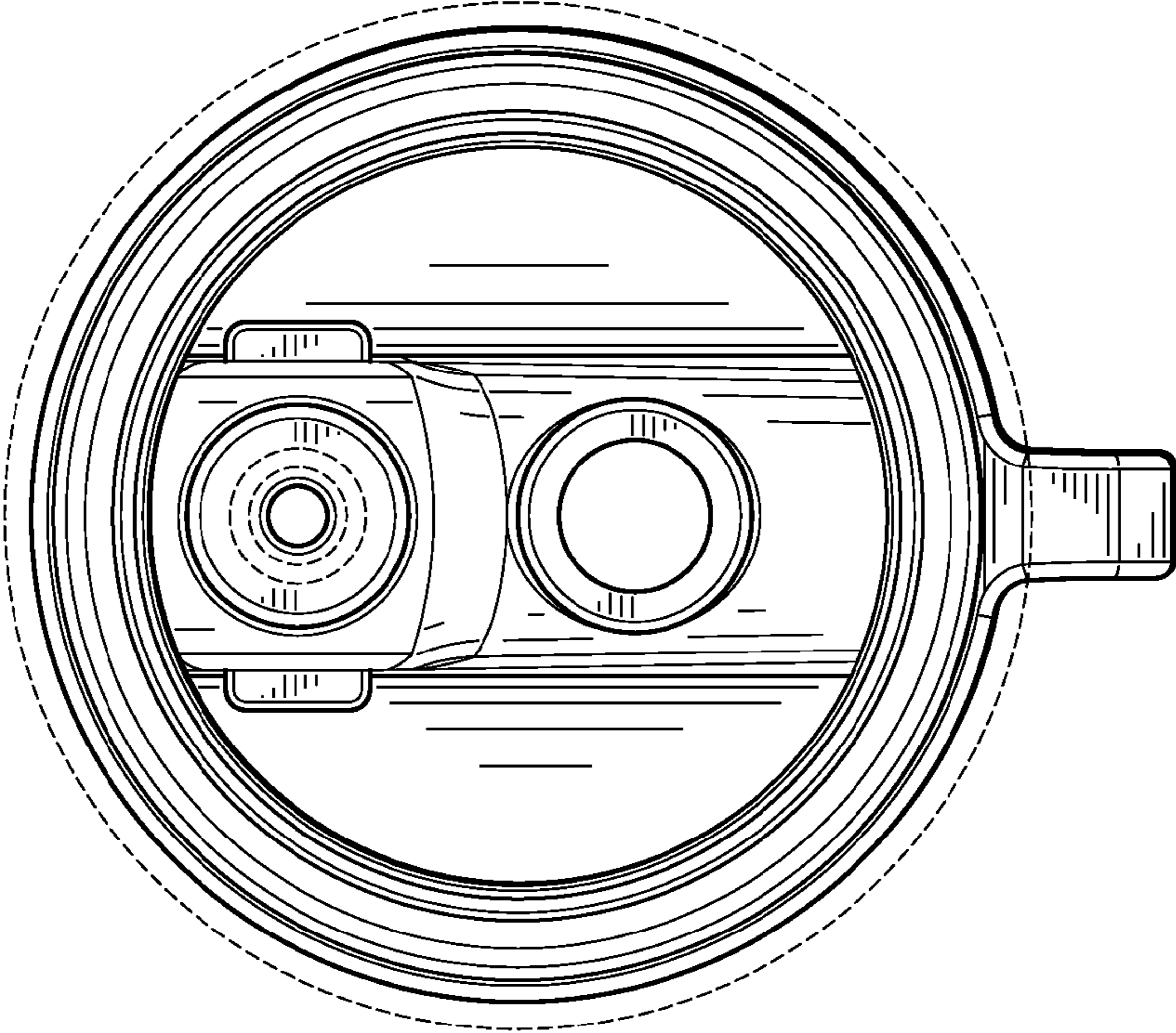


FIG. 7

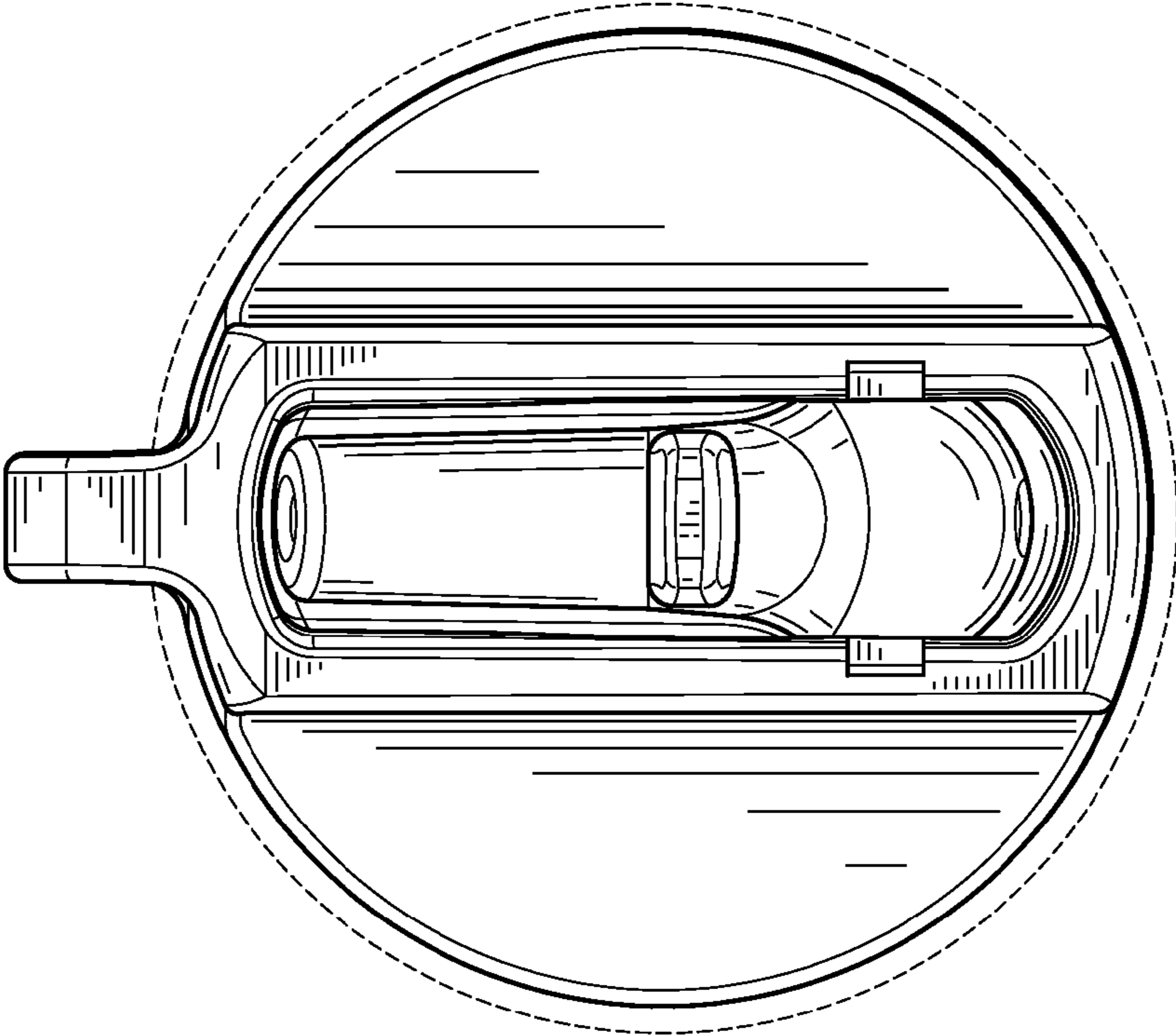


FIG. 6

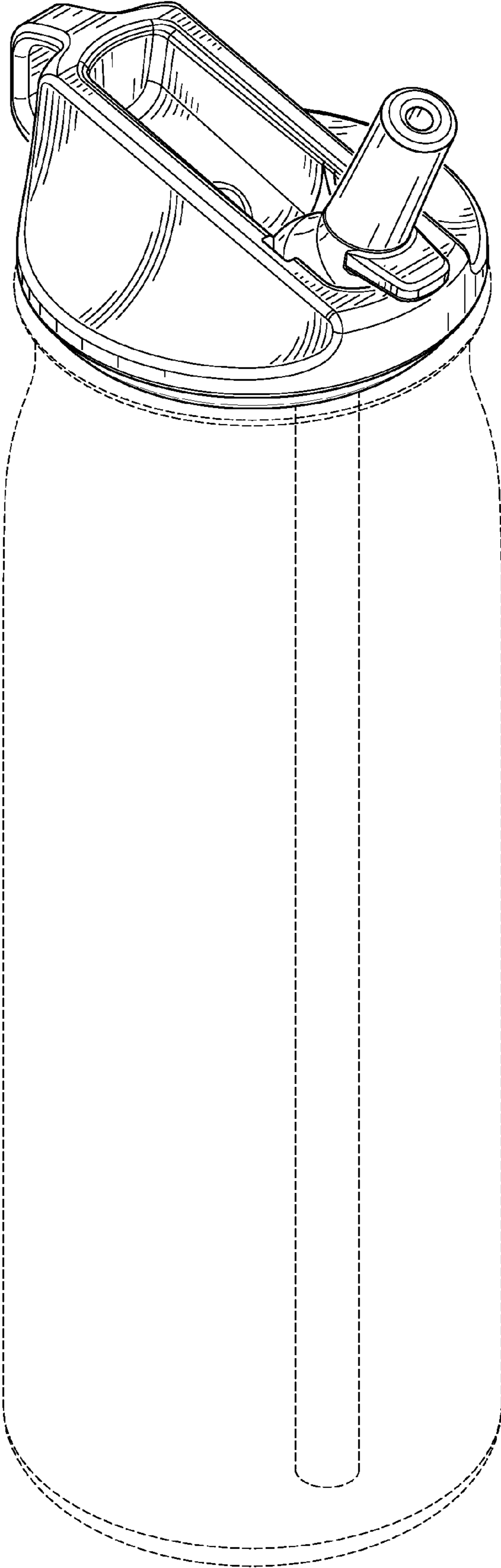


FIG. 8

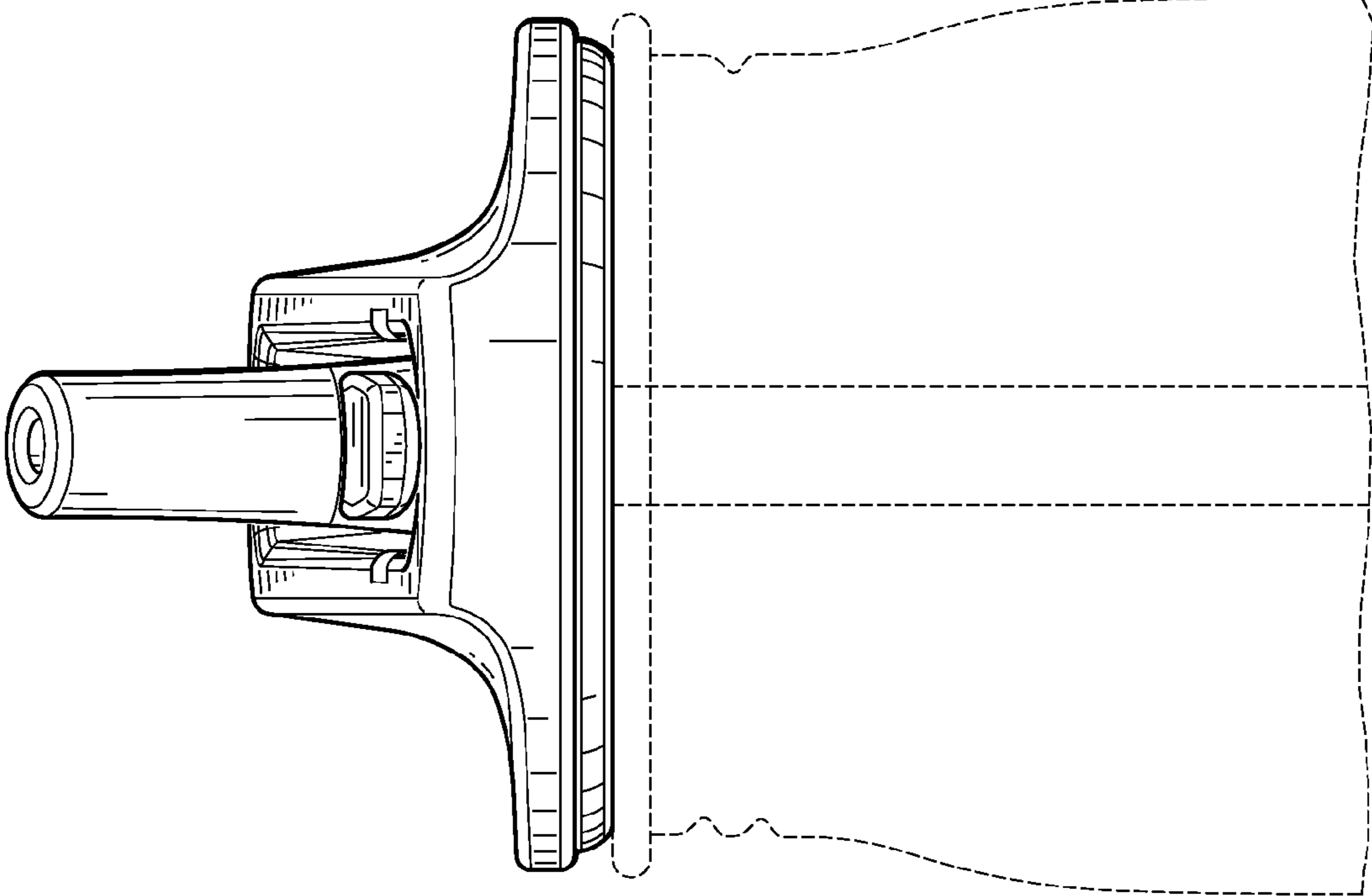


FIG. 10

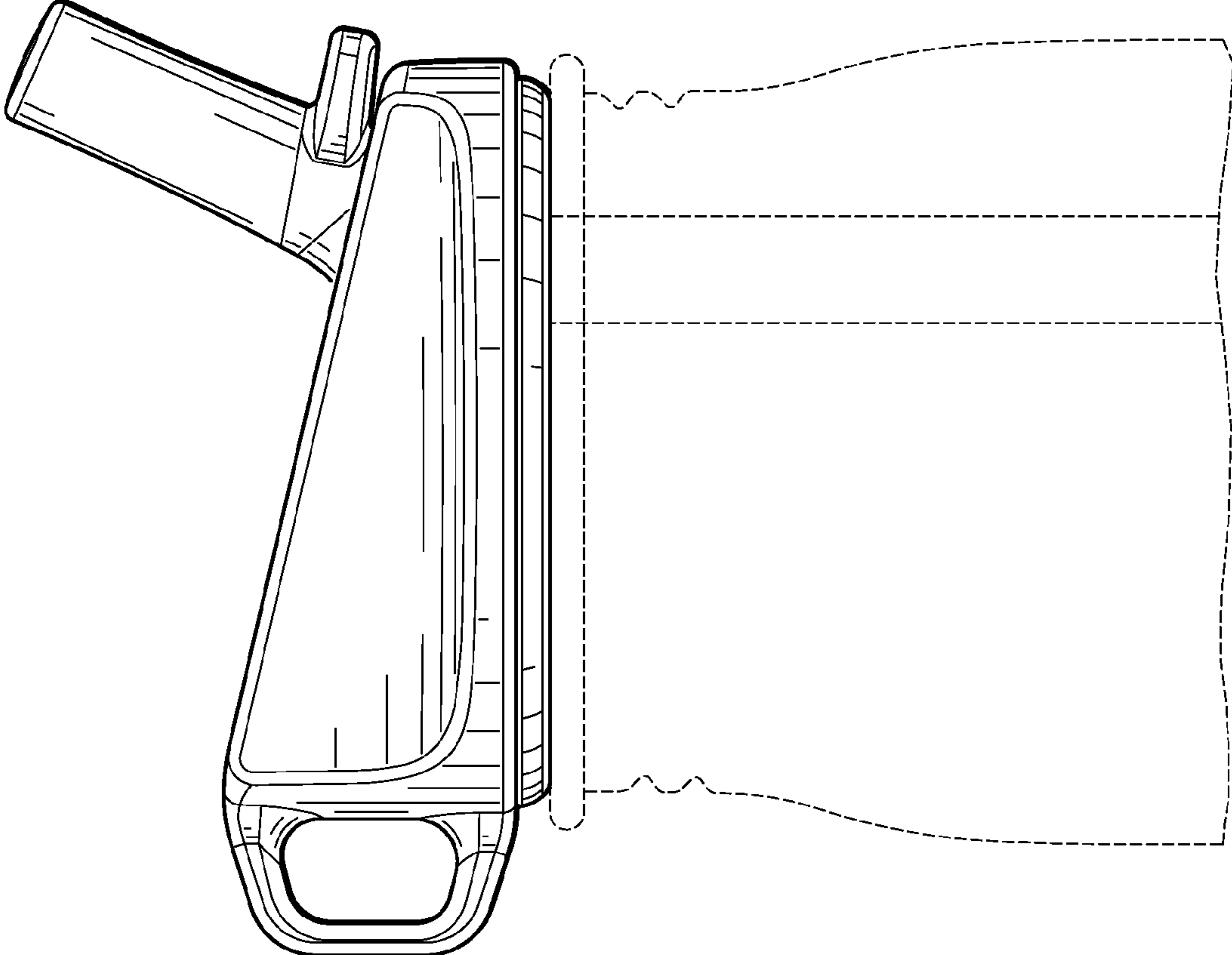


FIG. 9

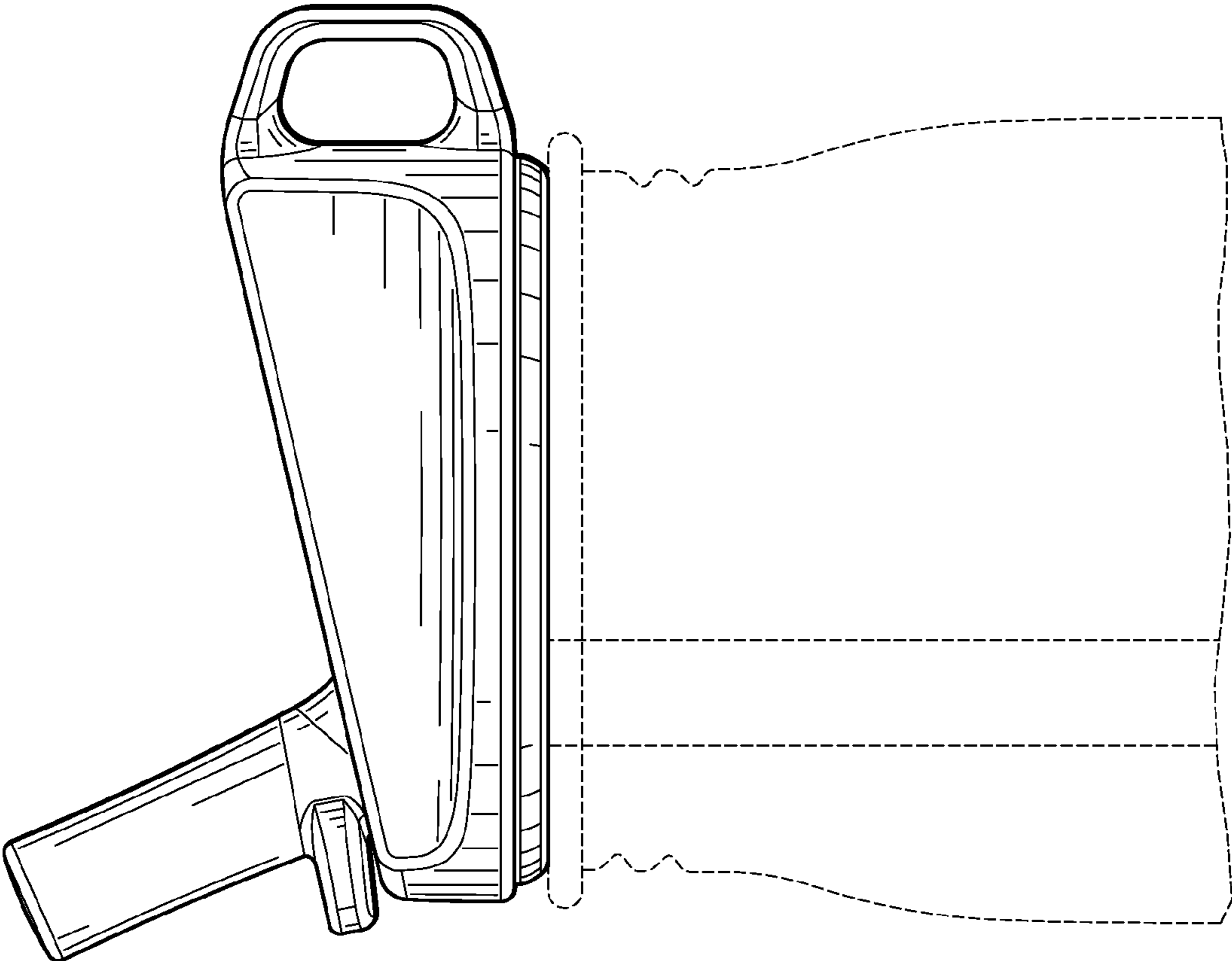


FIG. 11

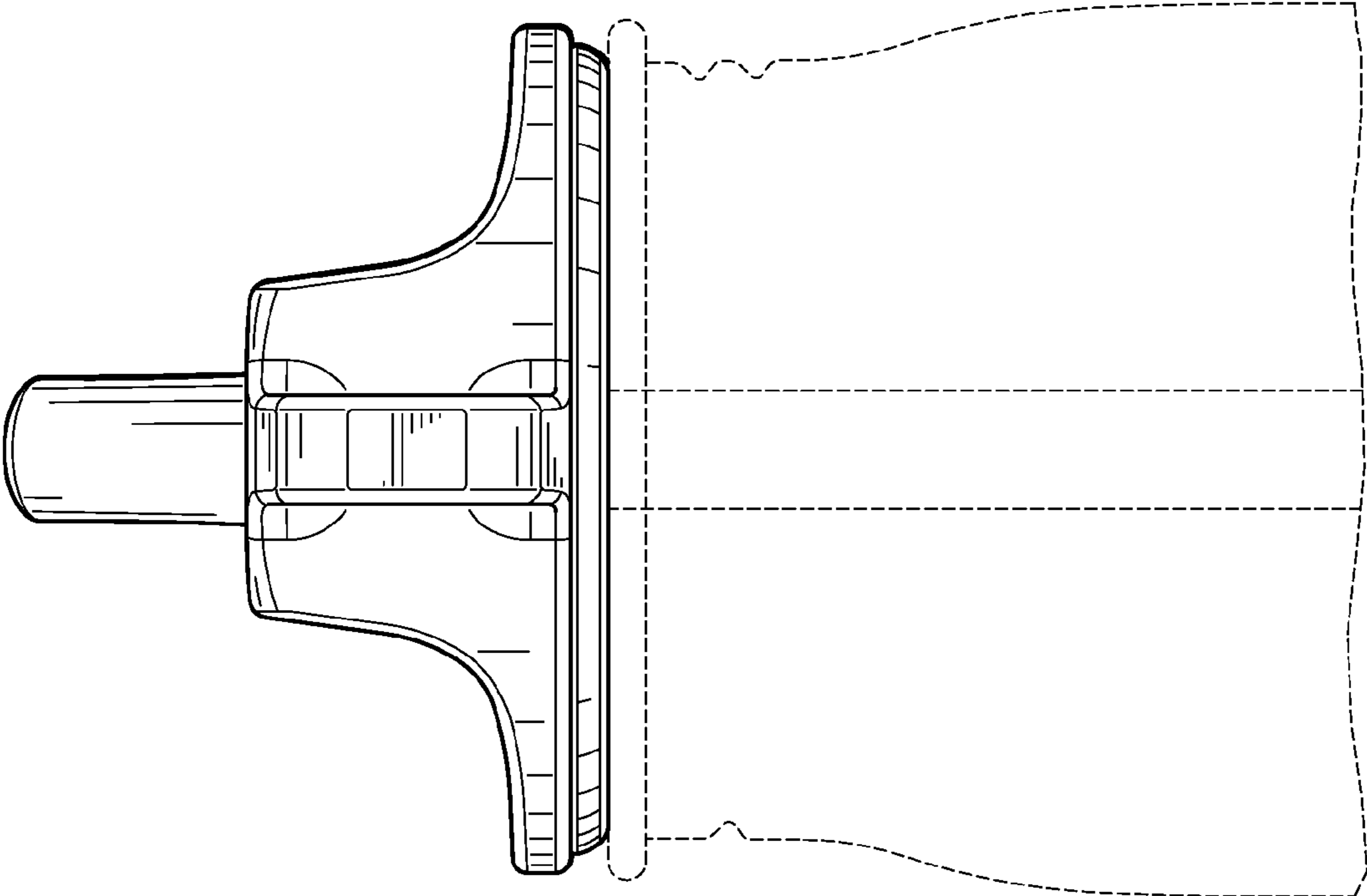


FIG. 12

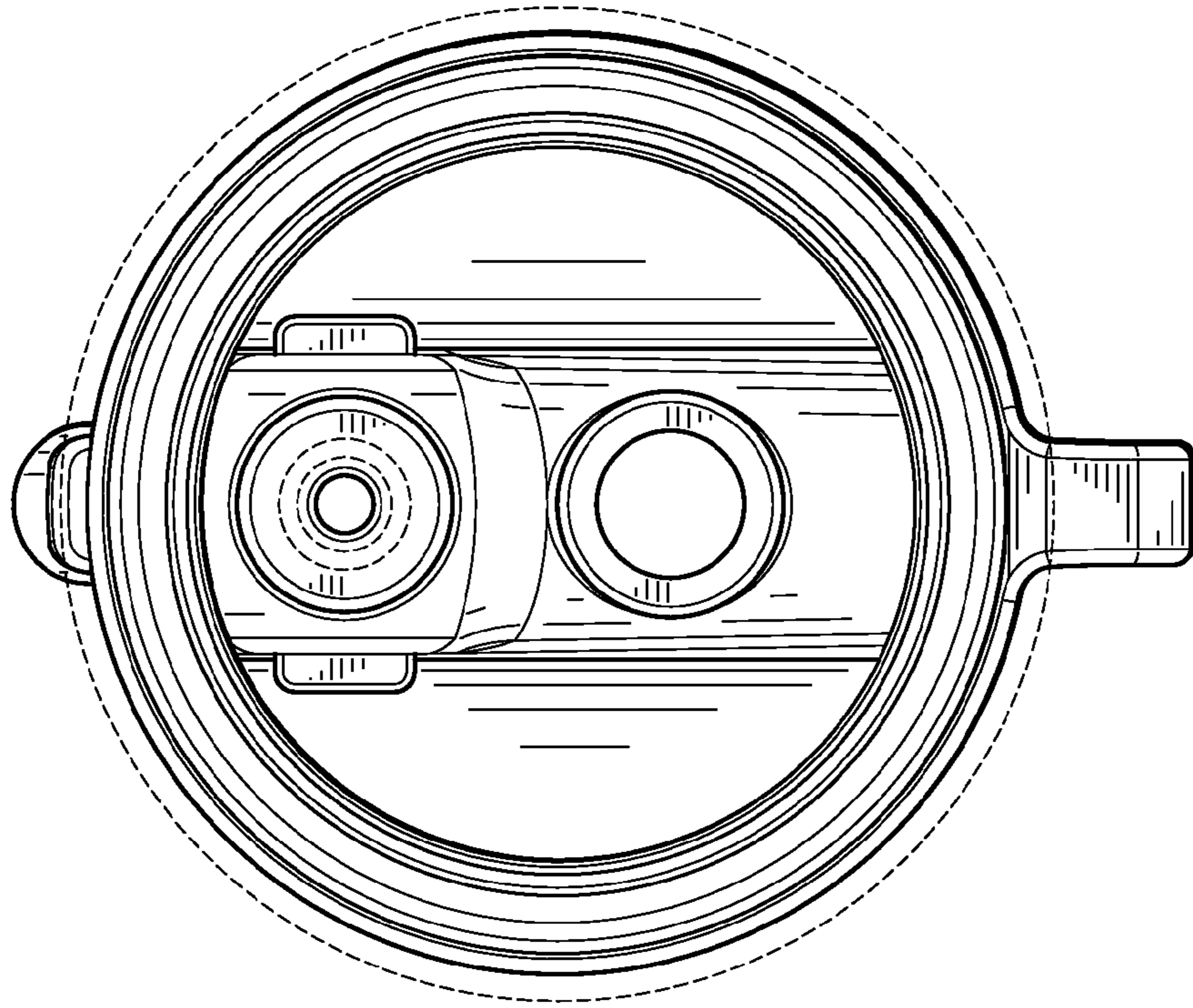


FIG. 14

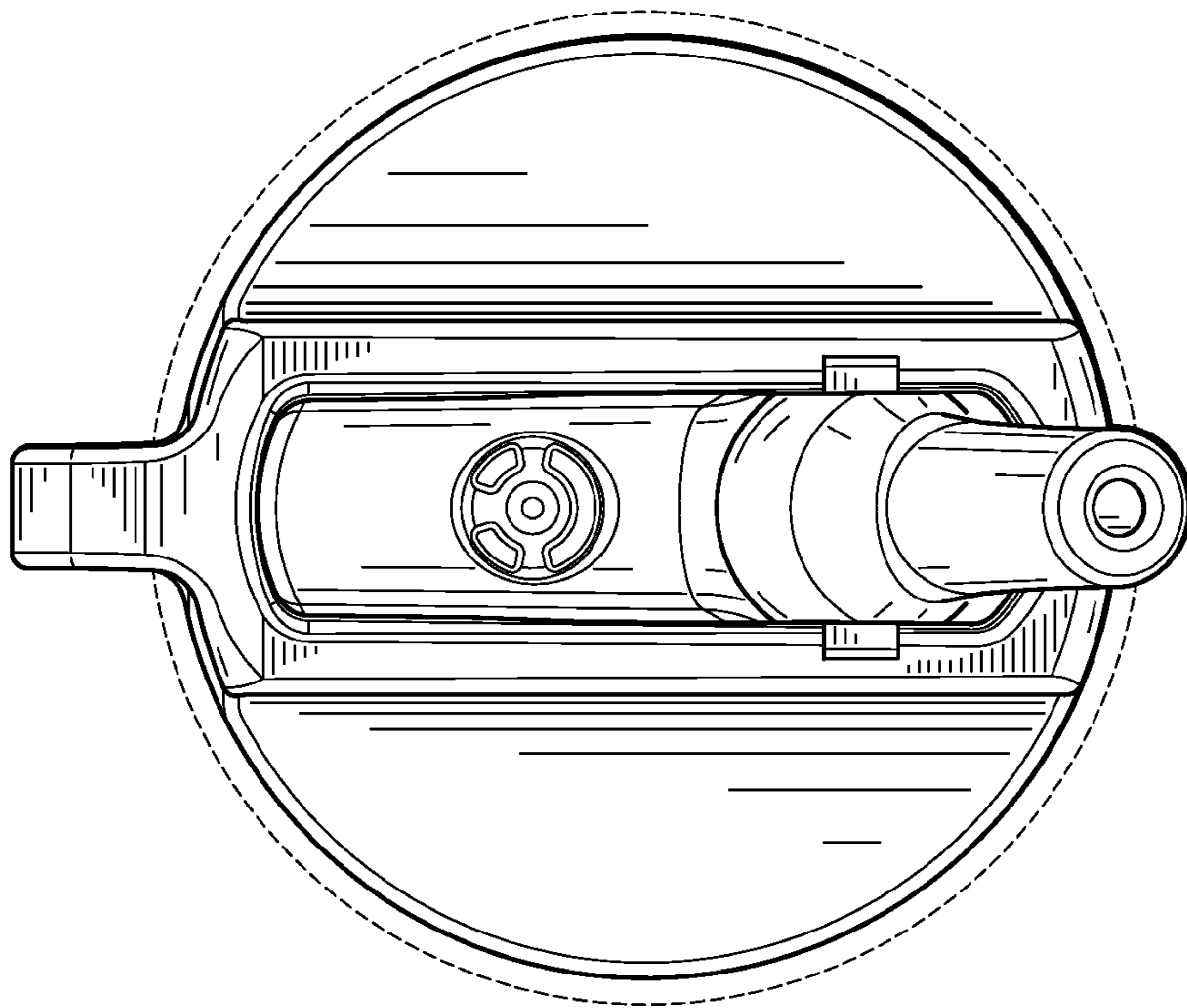


FIG. 13