



US00D649878S

(12) **United States Design Patent**
Weiss

(10) **Patent No.:** **US D649,878 S**
(45) **Date of Patent:** **** Dec. 6, 2011**

- (54) **LID FOR A CONTAINER**
- (75) Inventor: **David Weiss**, Plantation, FL (US)
- (73) Assignee: **Boca Enterprise Group, Inc.**, Boca Raton, FL (US)
- (**) Term: **14 Years**
- (21) Appl. No.: **29/388,160**
- (22) Filed: **Mar. 24, 2011**
- (51) **LOC (9) Cl.** **09-07**
- (52) **U.S. Cl.** **D9/447**
- (58) **Field of Classification Search** D9/454,
D9/447, 435, 434; D7/396.2, 392, 392.1;
229/404; 220/711-714, 254.3; 215/200,
215/250

See application file for complete search history.

(56) **References Cited**

U.S. PATENT DOCUMENTS

D212,843	S	*	12/1968	Hart et al.	D9/452
4,589,569	A	*	5/1986	Clements	220/380
D287,919	S	*	1/1987	Clements	D7/392.1
D402,556	S	*	12/1998	Frye	D9/447
D417,845	S		12/1999	Sadlier et al.		
D437,223	S	*	2/2001	Coy et al.	D9/447
D476,891	S		7/2003	Clarke et al.		
D477,223	S	*	7/2003	Smith et al.	D9/447
D478,006	S	*	8/2003	Smith et al.	D9/447
D485,758	S	*	1/2004	Clarke et al.	D9/447

D516,424	S	*	3/2006	Schweigert et al.	D9/447
7,063,224	B2		6/2006	Clarke et al.		
D530,602	S	*	10/2006	Boller et al.	D9/435
D570,213	S	*	6/2008	Newman	D9/447
D591,151	S	*	4/2009	Freeman	D9/447
D591,595	S		5/2009	Tedford, Jr.		
D592,056	S	*	5/2009	Tedford, Jr.	D9/447
D592,952	S	*	5/2009	Hundley et al.	D9/447
7,591,393	B2		9/2009	Crudgington, Jr.		
D624,413	S	*	9/2010	Selina et al.	D9/447
D629,298	S		12/2010	Wong		
2010/0012657	A1		1/2010	Levey		
2010/0096395	A1		4/2010	Miller		

* cited by examiner

Primary Examiner — Susan Bennett Hattan

(74) *Attorney, Agent, or Firm* — Jacqueline Tadros, P.A.

(57) **CLAIM**

The ornamental design for a lid for a container, as shown and described.

DESCRIPTION

FIG. 1 is a front side perspective view of the lid of the present invention;

FIG. 2 is a rear side perspective view of the lid of the present invention;

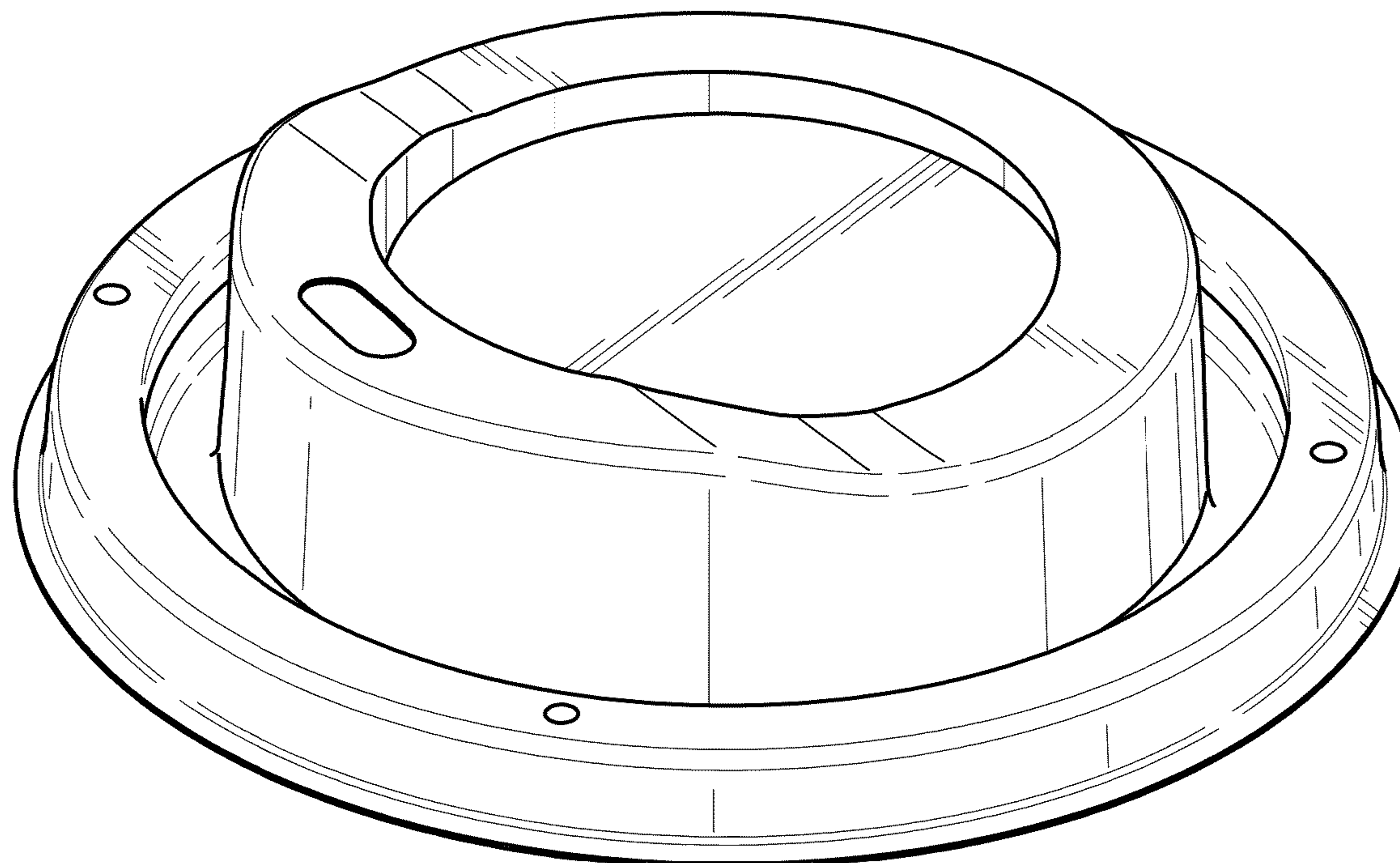
FIG. 3 is a side view of the lid of the present invention;

FIG. 4 is a top view of the lid of the present invention;

FIG. 5 is a bottom view of the lid of the present invention; and,

FIG. 6 is a cross sectional view of the lid of the present invention along line 6-6 of FIG. 4.

1 Claim, 4 Drawing Sheets



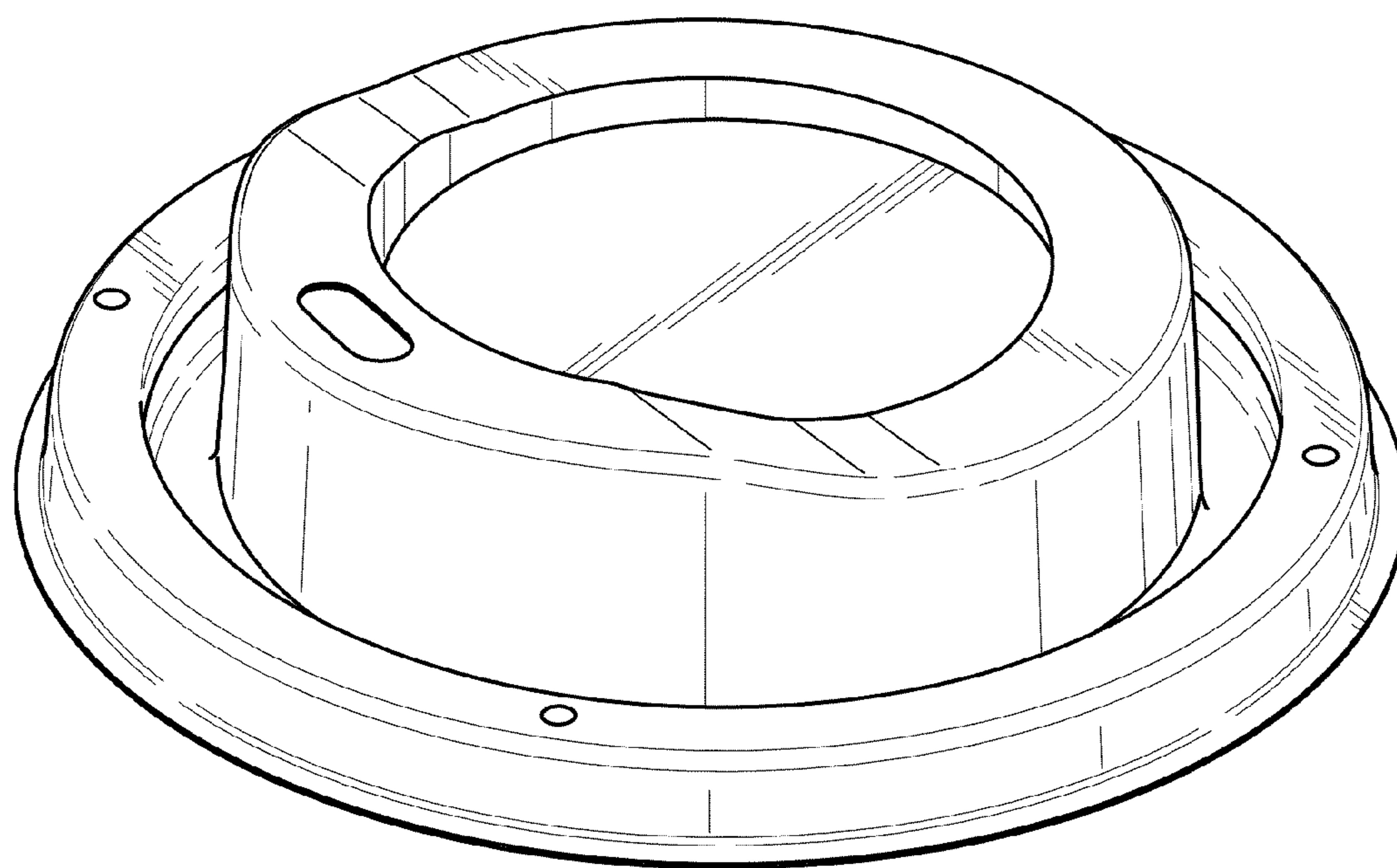


FIG. 1

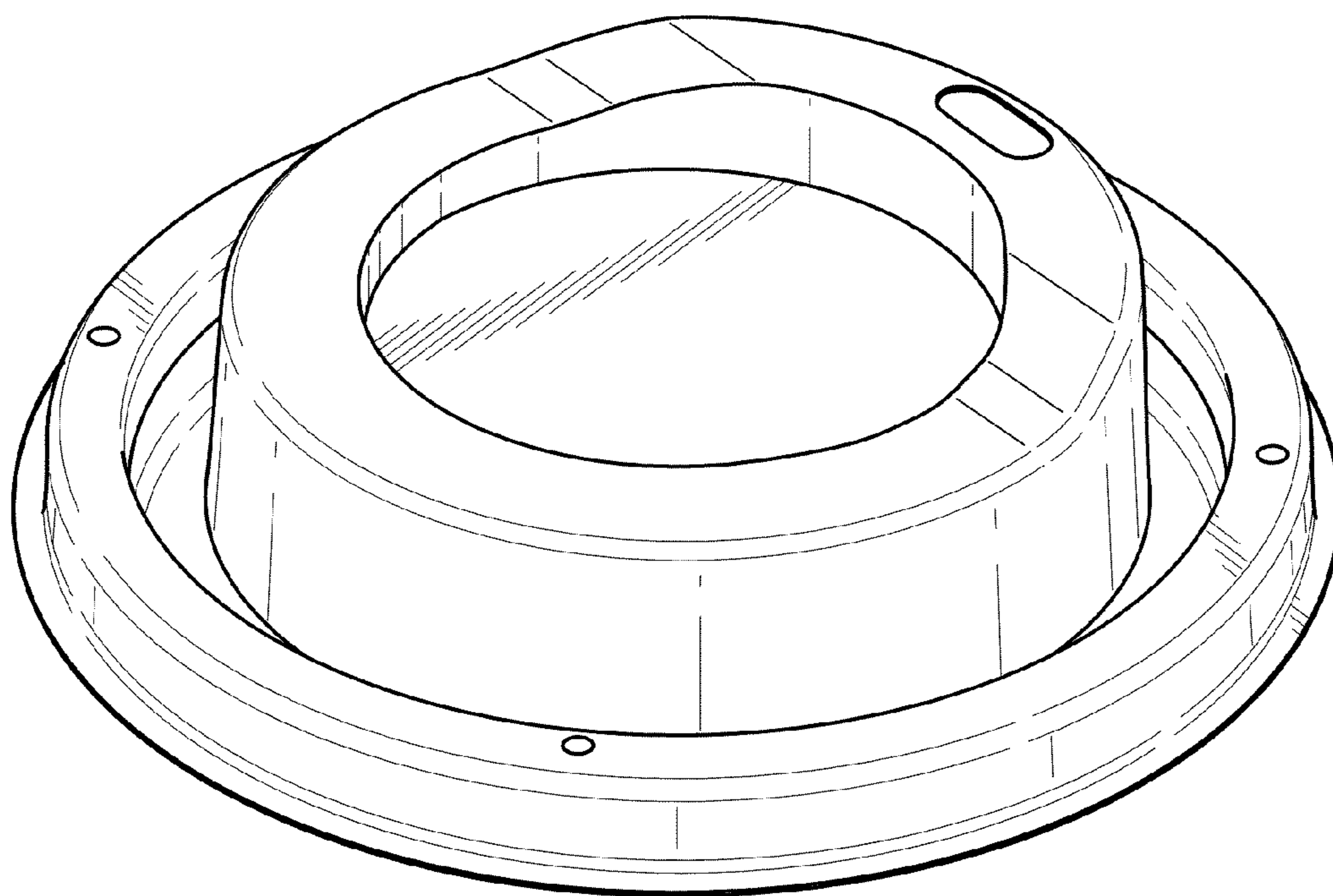


FIG. 2

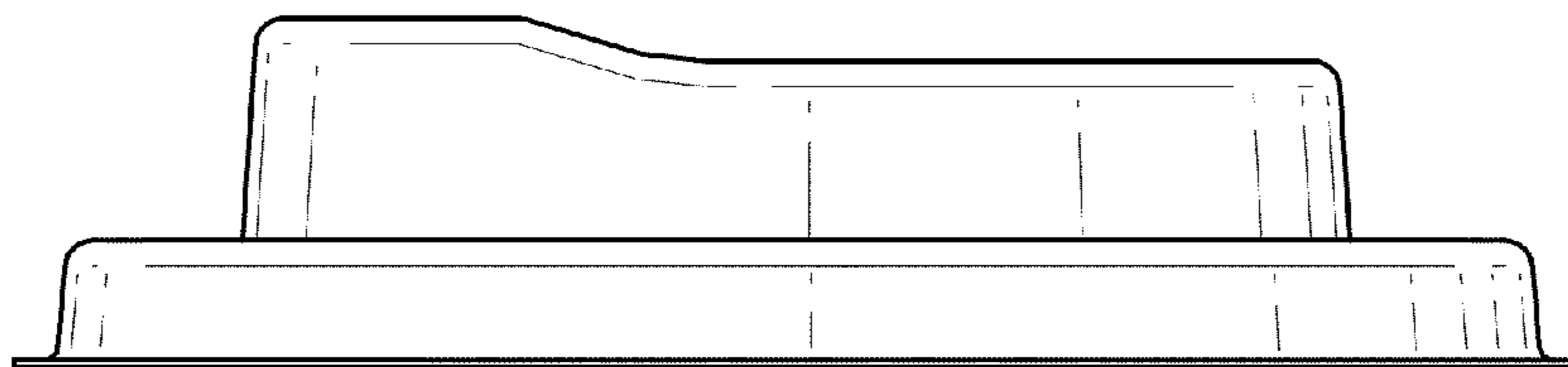


FIG. 3

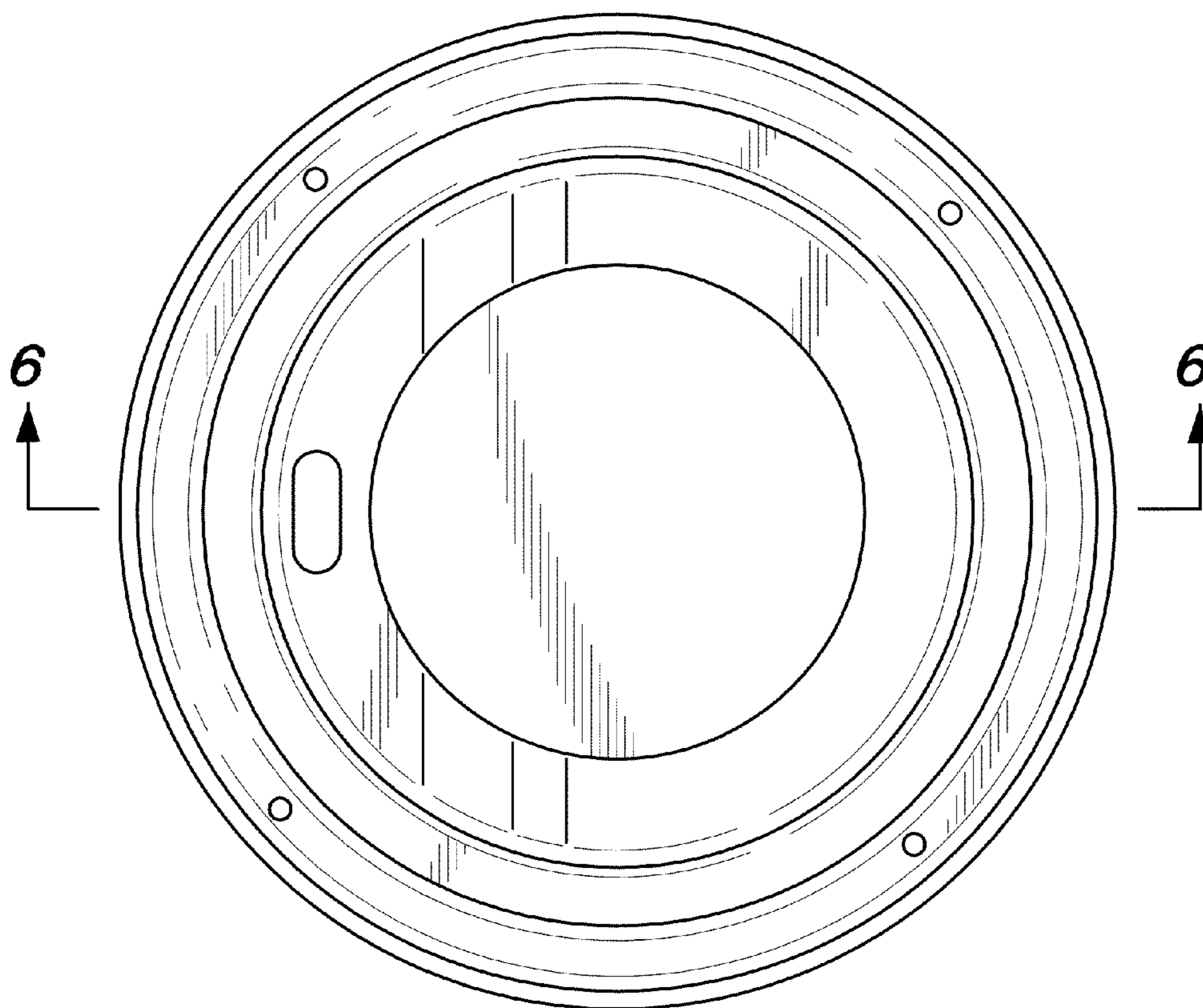


FIG. 4

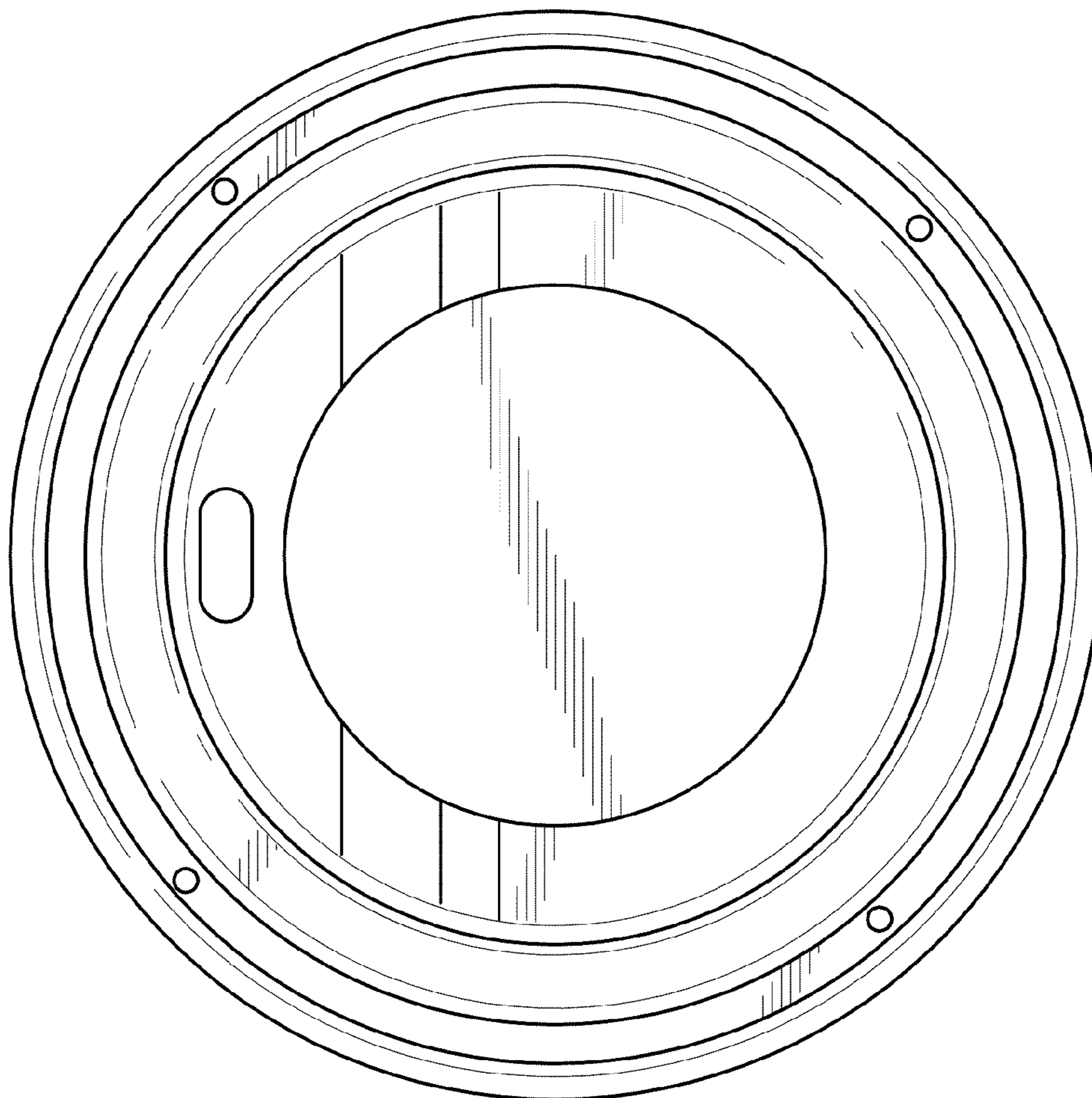


FIG. 5

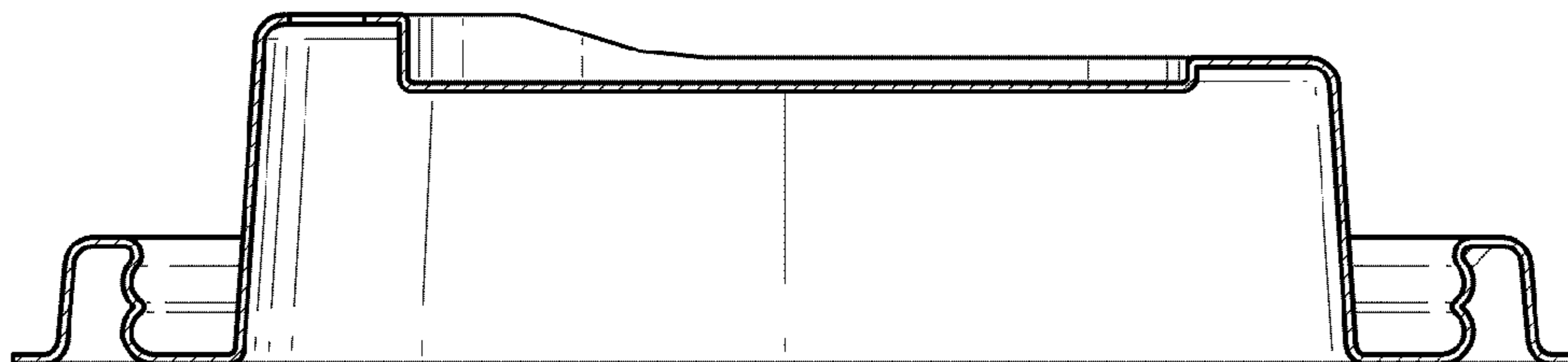


FIG. 6