



US00D649871S

(12) **United States Design Patent**  
**Noer**

(10) **Patent No.:** **US D649,871 S**  
(45) **Date of Patent:** **\*\* Dec. 6, 2011**

(54) **PAIL WITH LID**

(75) Inventor: **Torben Noer**, Beder (DK)

(73) Assignee: **Superfos A/S**, Vipperød (DK)

(\*\*) Term: **14 Years**

(21) Appl. No.: **29/347,630**

(22) Filed: **Mar. 19, 2010**

(30) **Foreign Application Priority Data**

Sep. 21, 2009 (EM) ..... 1613613-0001-0002  
Sep. 28, 2009 (EM) ..... 1616517-0001

(51) **LOC (9) Cl.** ..... **09-03**

(52) **U.S. Cl.** ..... **D9/428**

(58) **Field of Classification Search** ..... D9/428,  
D9/429, 420-426, 414; D7/629, 612-615;  
220/578.1, 790, 791, 380, 345.1, 345.2, 376,  
220/377, 675, 288, 290, 294, 780-784, 834;  
206/508, 541; 229/4.5, 93, 406, 407, 902,  
229/116.1; 426/106, 428-430

See application file for complete search history.

(56) **References Cited**

**U.S. PATENT DOCUMENTS**

D265,176 S \* 6/1982 Bock ..... D34/39  
4,966,294 A \* 10/1990 Mack et al. .... 220/266  
5,363,979 A \* 11/1994 Thorso ..... 220/495.11  
D353,766 S \* 12/1994 Thorso ..... D9/428  
D470,768 S \* 2/2003 Melhede ..... D9/428  
D501,636 S \* 2/2005 Melhede ..... D9/428  
D628,080 S \* 11/2010 Van Heerikhuize et al. .. D9/549  
D632,559 S \* 2/2011 Georgiadis ..... D9/424

2004/0011791 A1\* 1/2004 Oh ..... 220/285  
\* cited by examiner

*Primary Examiner* — Thomas Johannes

(74) *Attorney, Agent, or Firm* — Dykema Gossett PLLC

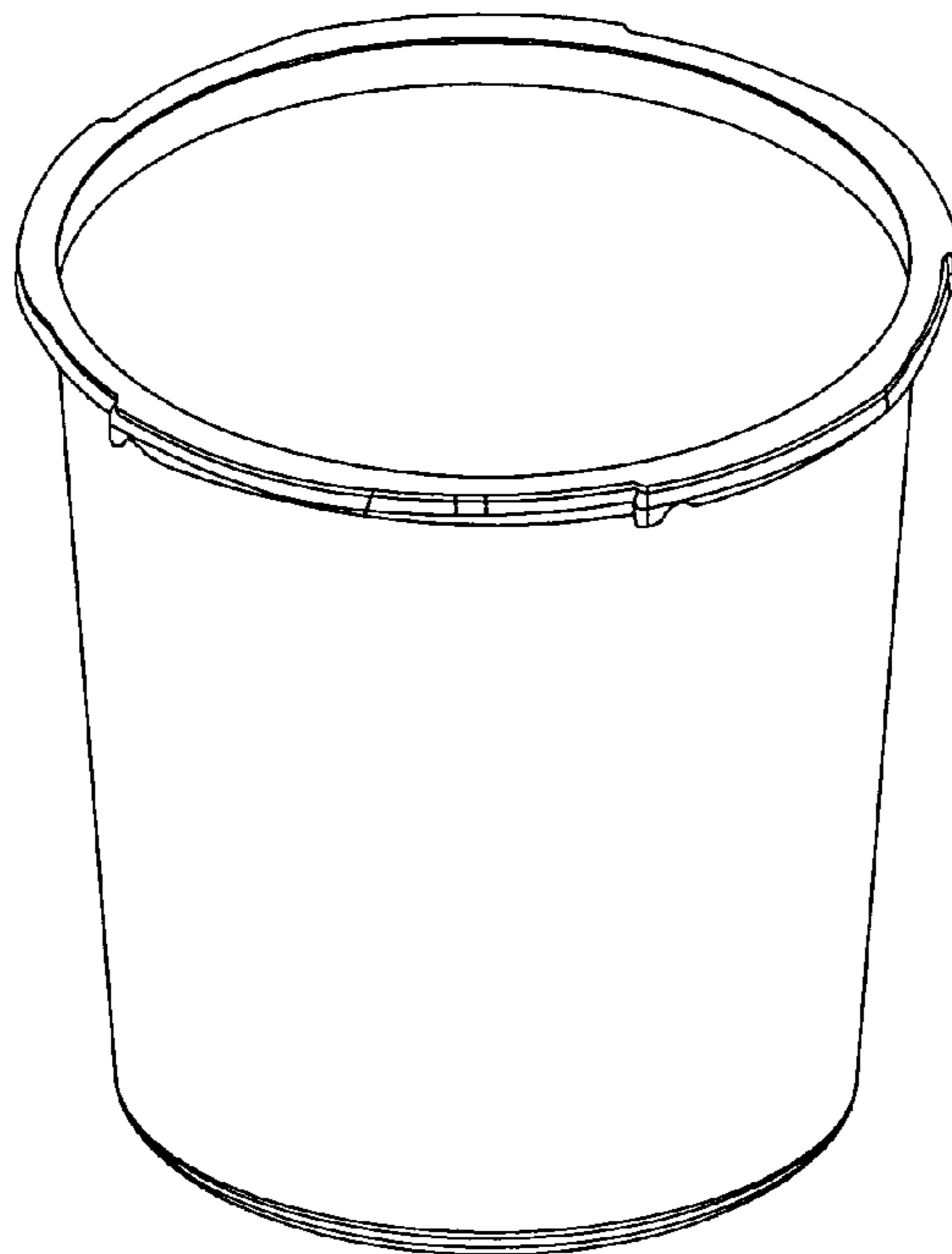
(57) **CLAIM**

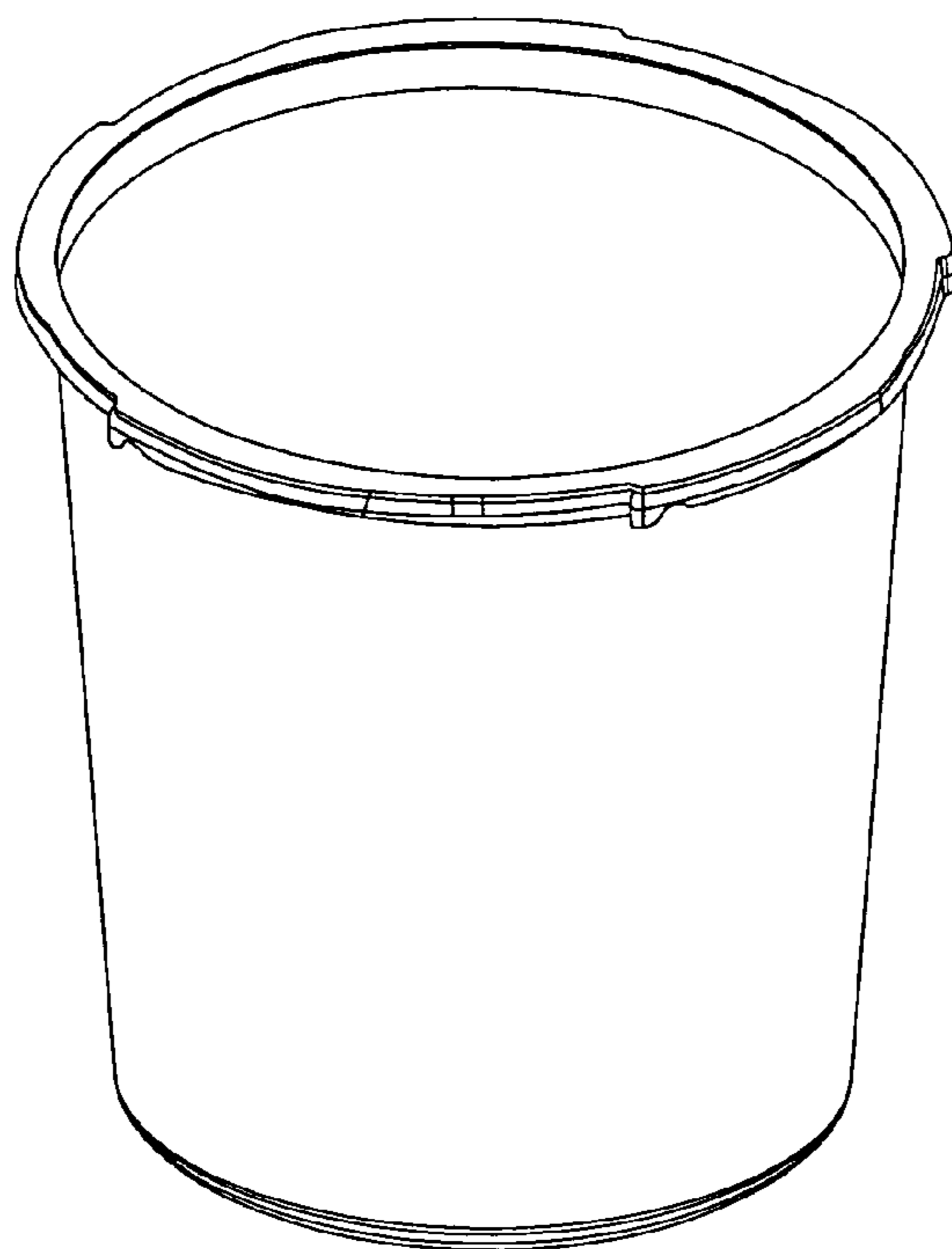
The new and ornamental design for a pail with lid, as shown and described.

**DESCRIPTION**

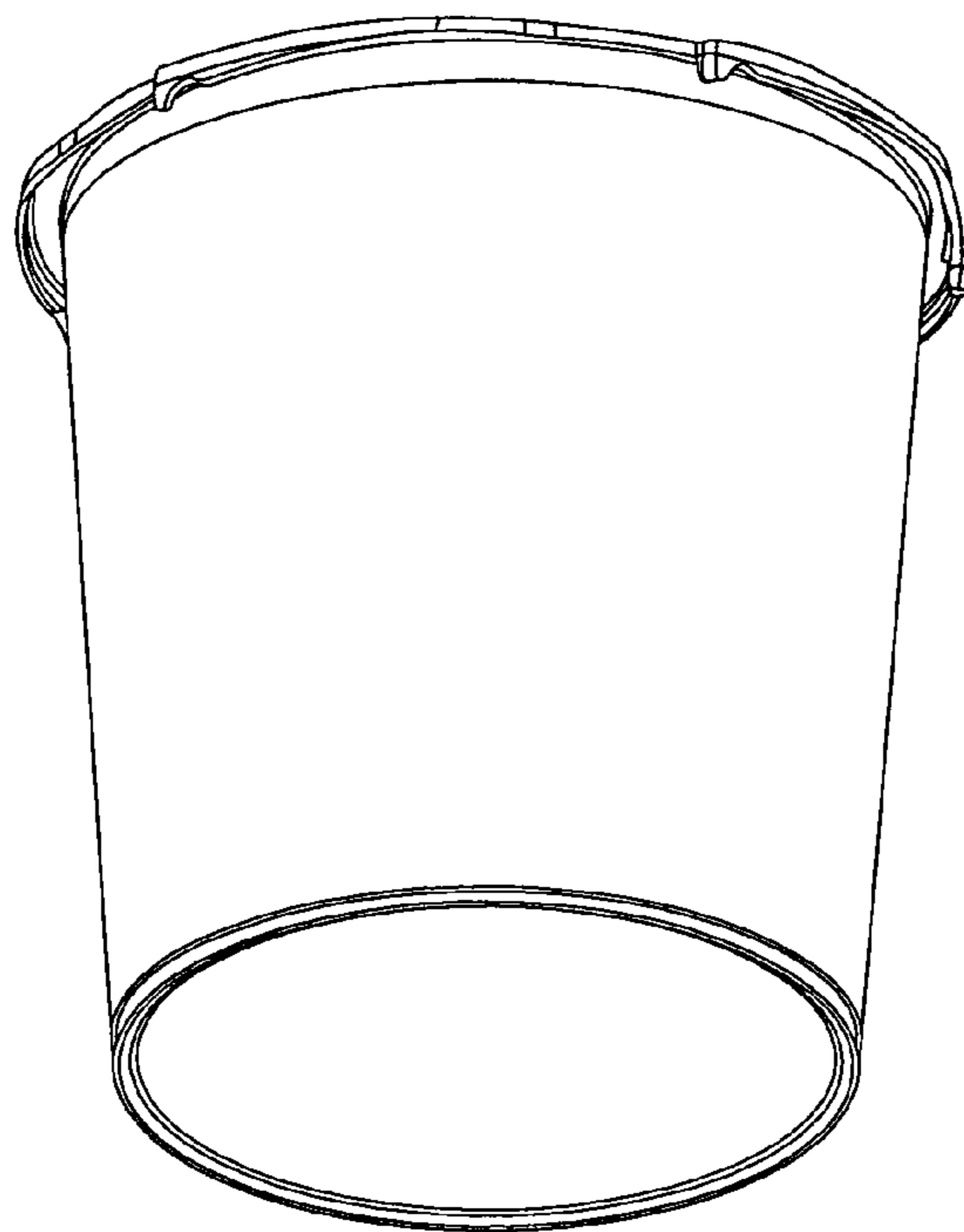
FIG. 1 is a perspective top view of a pail with lid showing my new design with the lid removed for clarity of detail; FIG. 2 is a perspective bottom view thereof; FIG. 3 is an elevational first side view thereof; FIG. 4 is an elevational second side view thereof; FIG. 5 is a bottom plan view thereof; FIG. 6 is a top plan view thereof; FIG. 7 is a perspective top view of a pail with lid in a fully assembled condition; FIG. 8 is a perspective bottom view thereof; FIG. 9 is an elevational side view thereof; FIG. 10 is a bottom plan view thereof; FIG. 11 is a top plan view thereof; FIG. 12 is an elevational side view of a pail with lid with the pail removed for clarity of detail; FIG. 13 is a bottom plan view thereof; FIG. 14 is a top plan view thereof; FIG. 15 is a perspective top view thereof; and, FIG. 16 is a perspective bottom view thereof. The broken line portion of the drawings is included to show unclaimed subject matter only and forms no part of the claimed design.

**1 Claim, 9 Drawing Sheets**

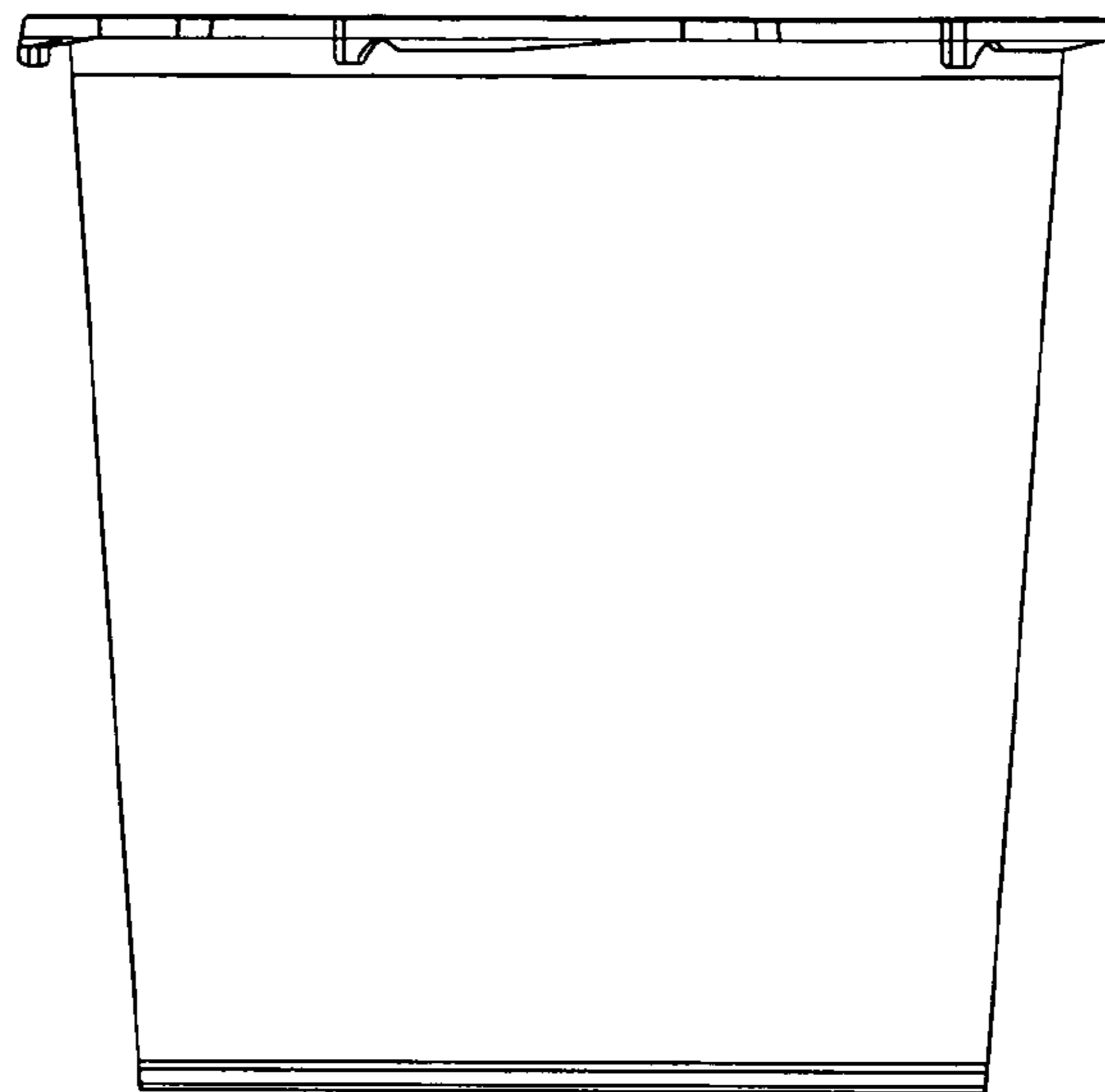




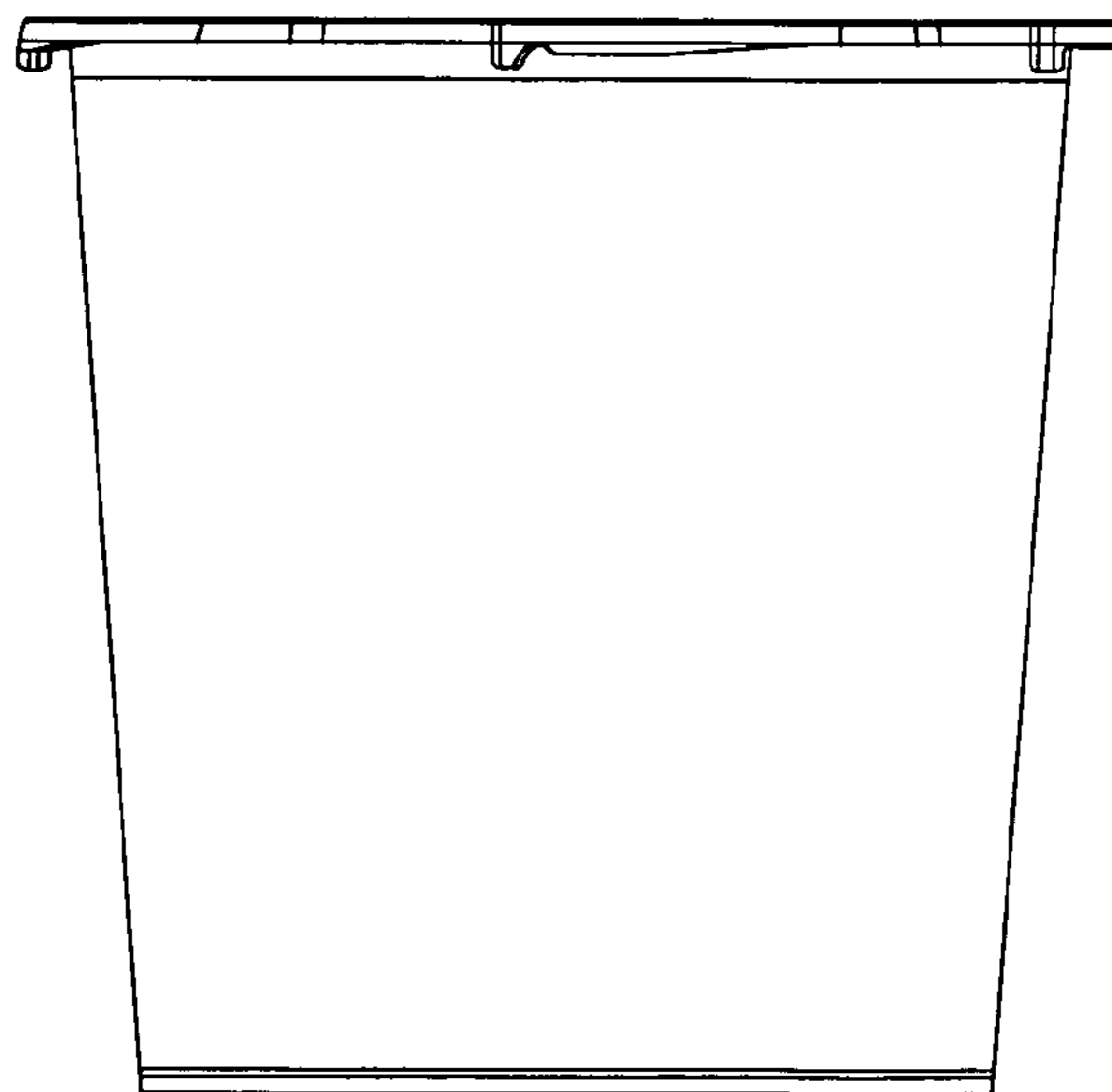
**FIG. 1**



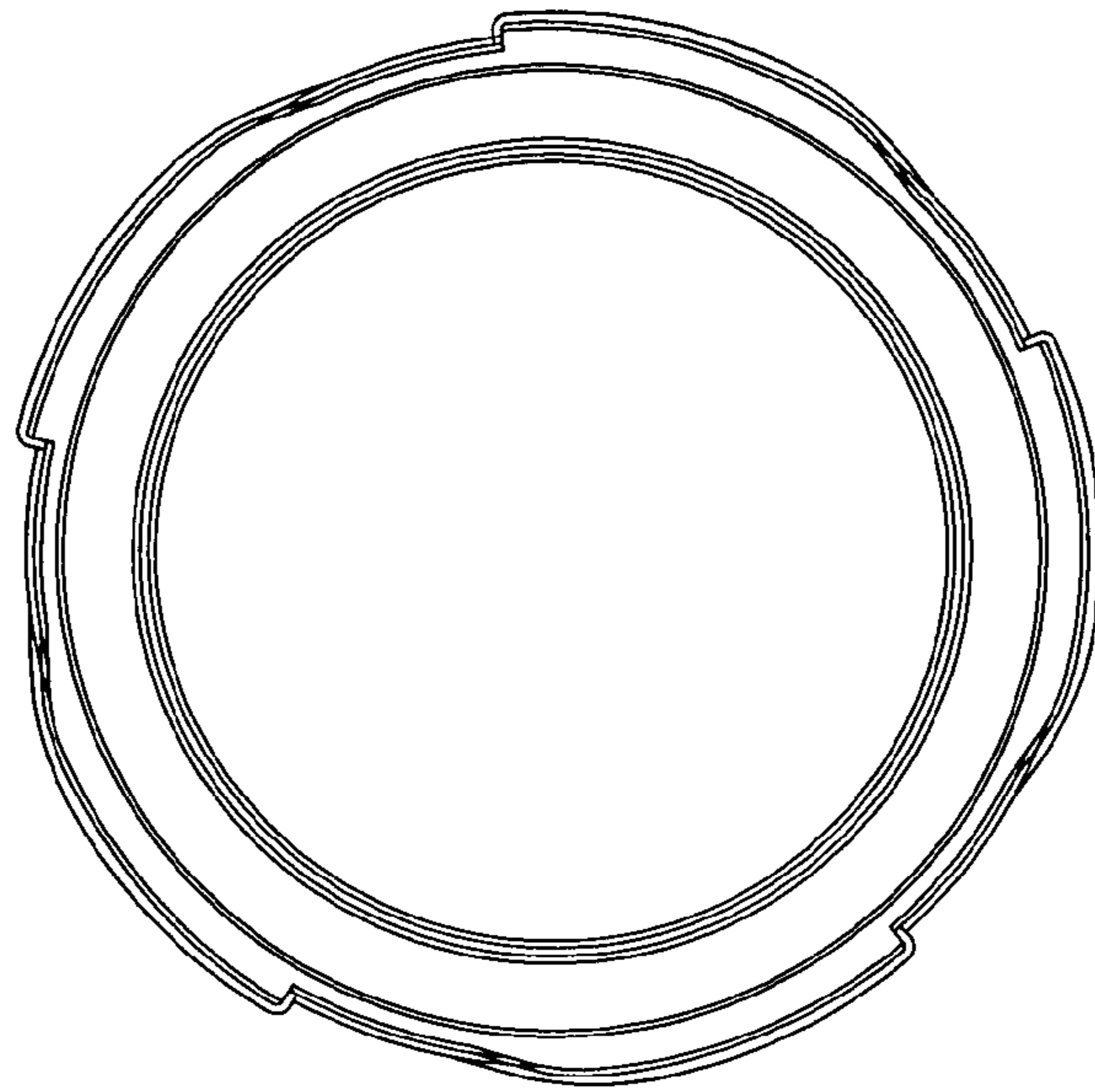
**FIG. 2**



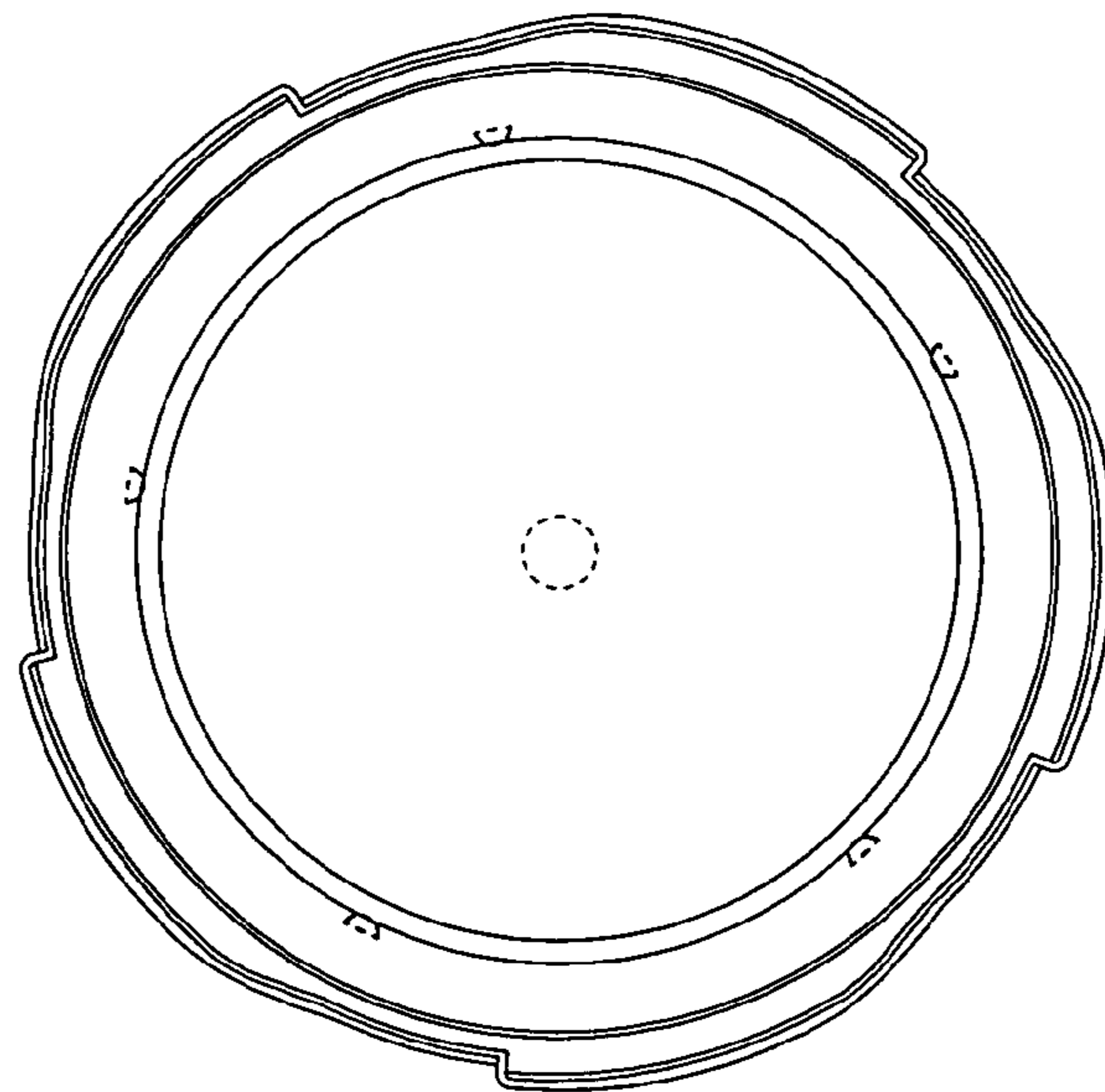
**FIG. 3**



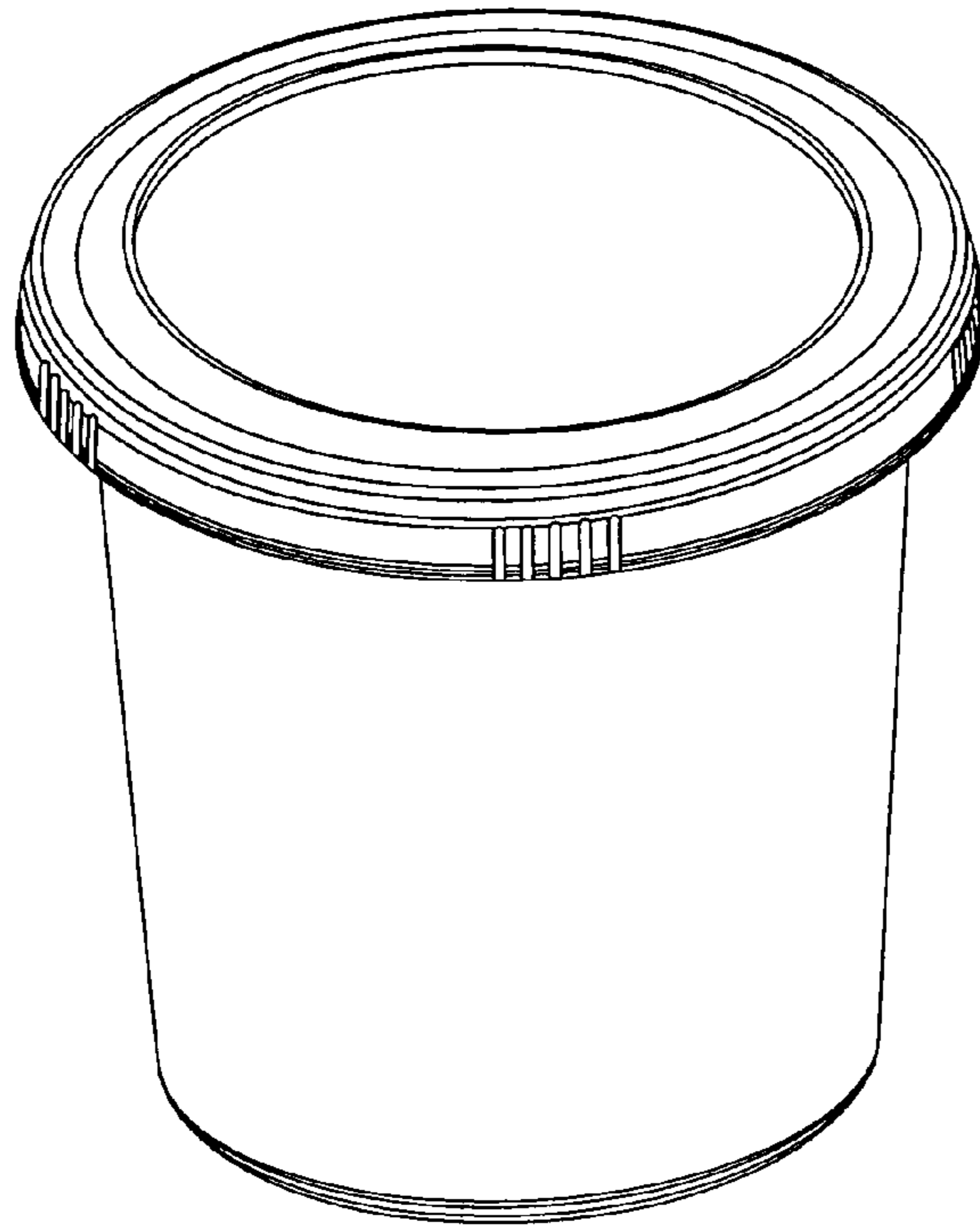
**FIG. 4**



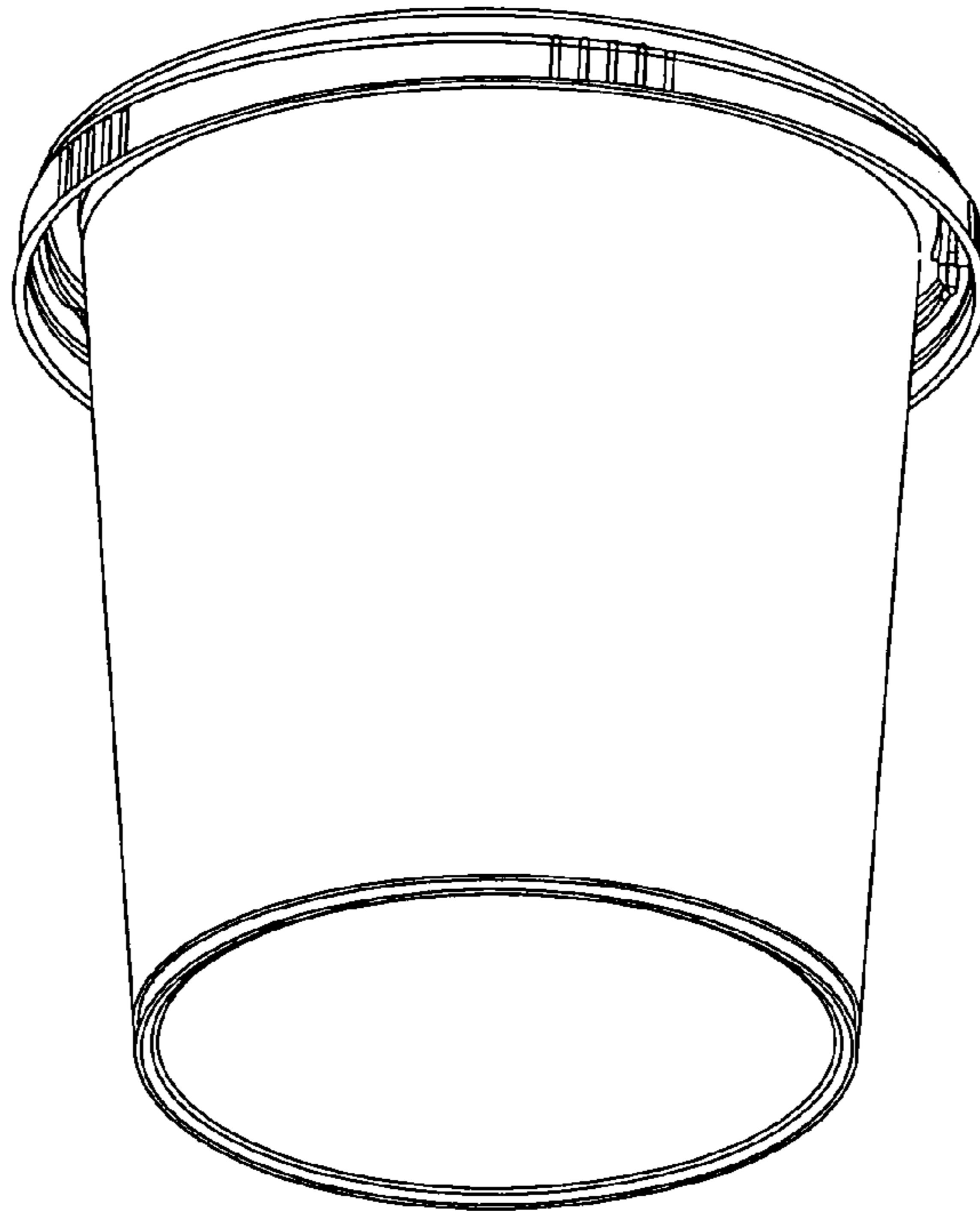
**FIG. 5**



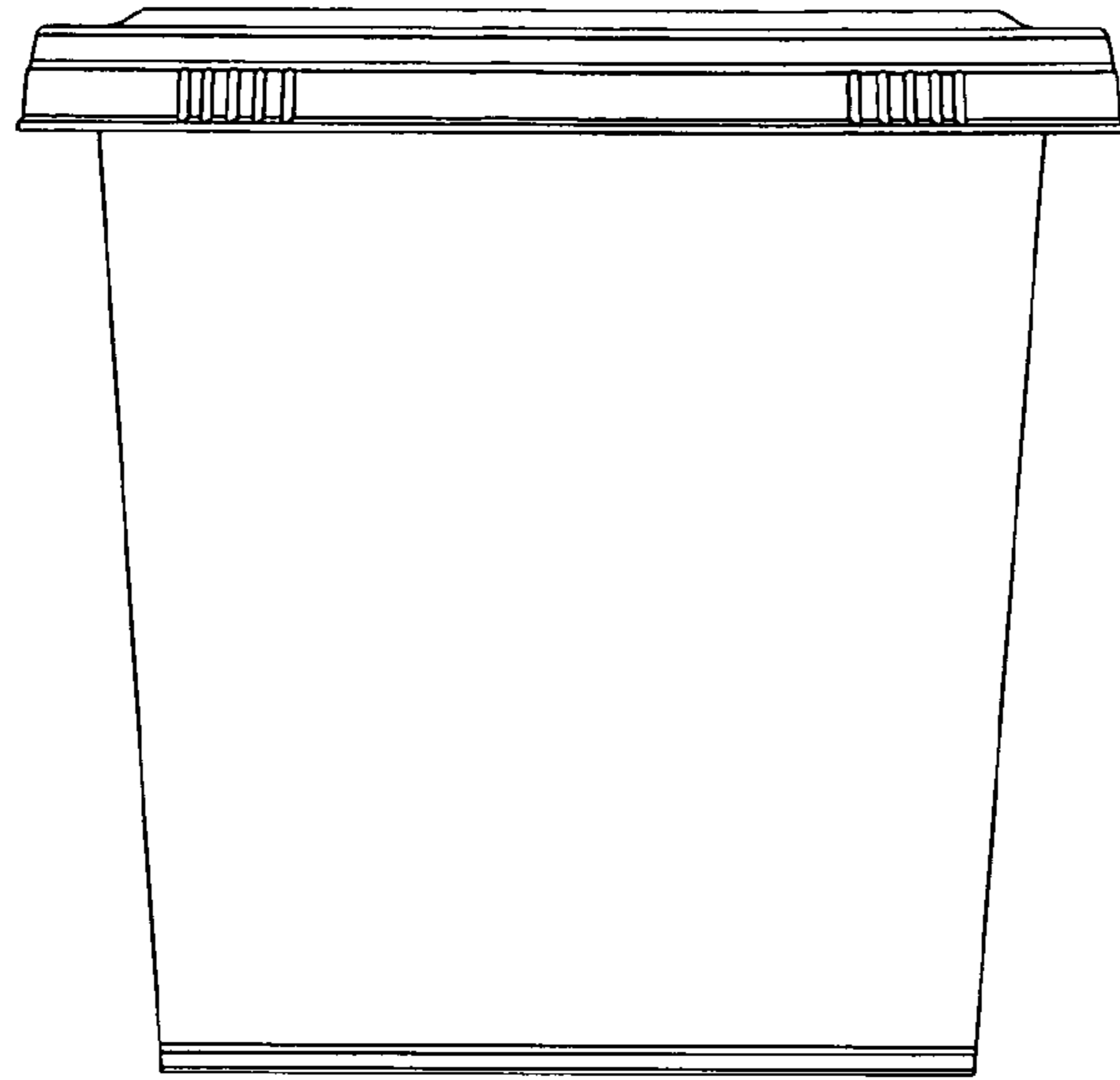
**FIG. 6**



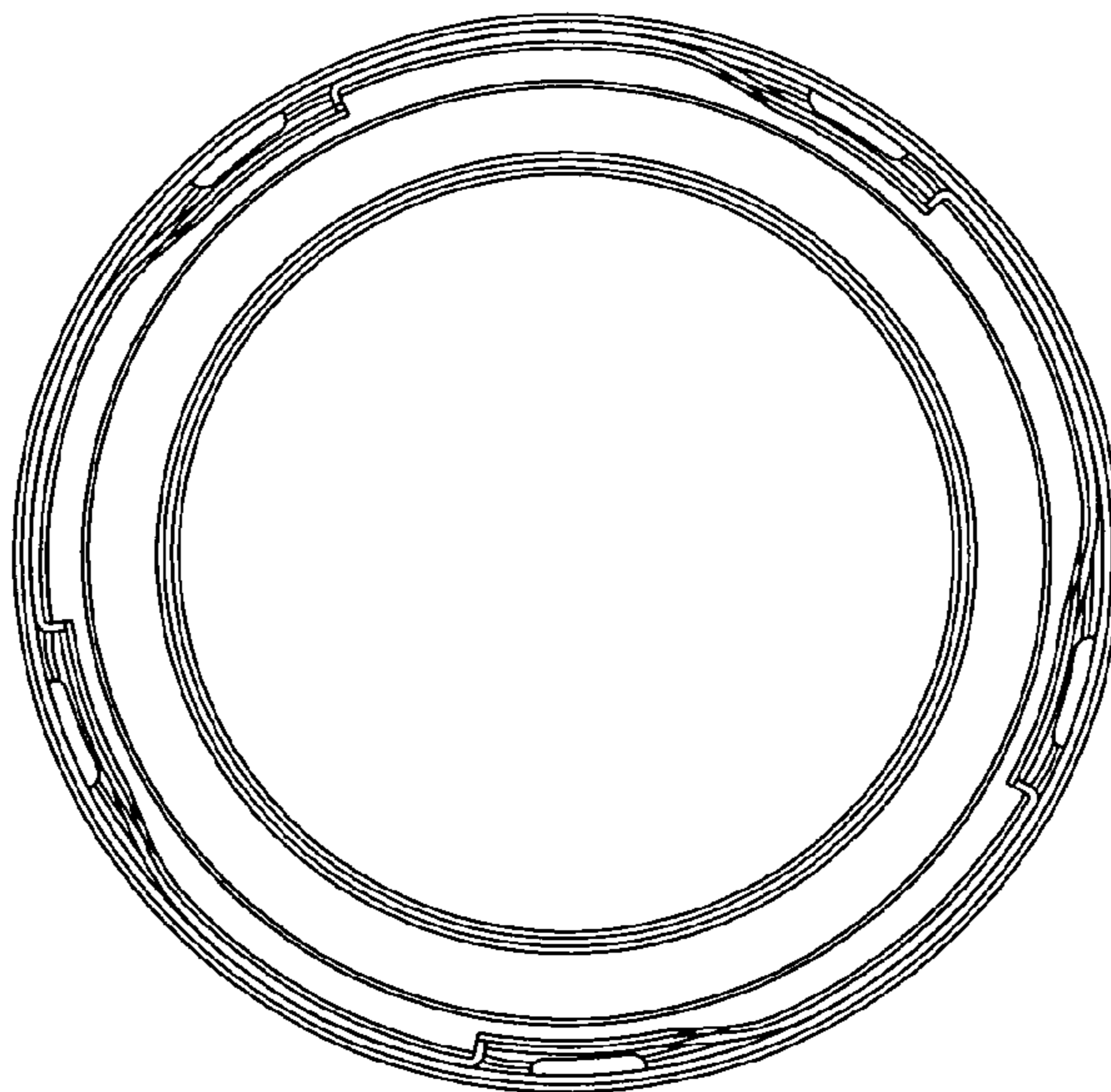
**FIG. 7**



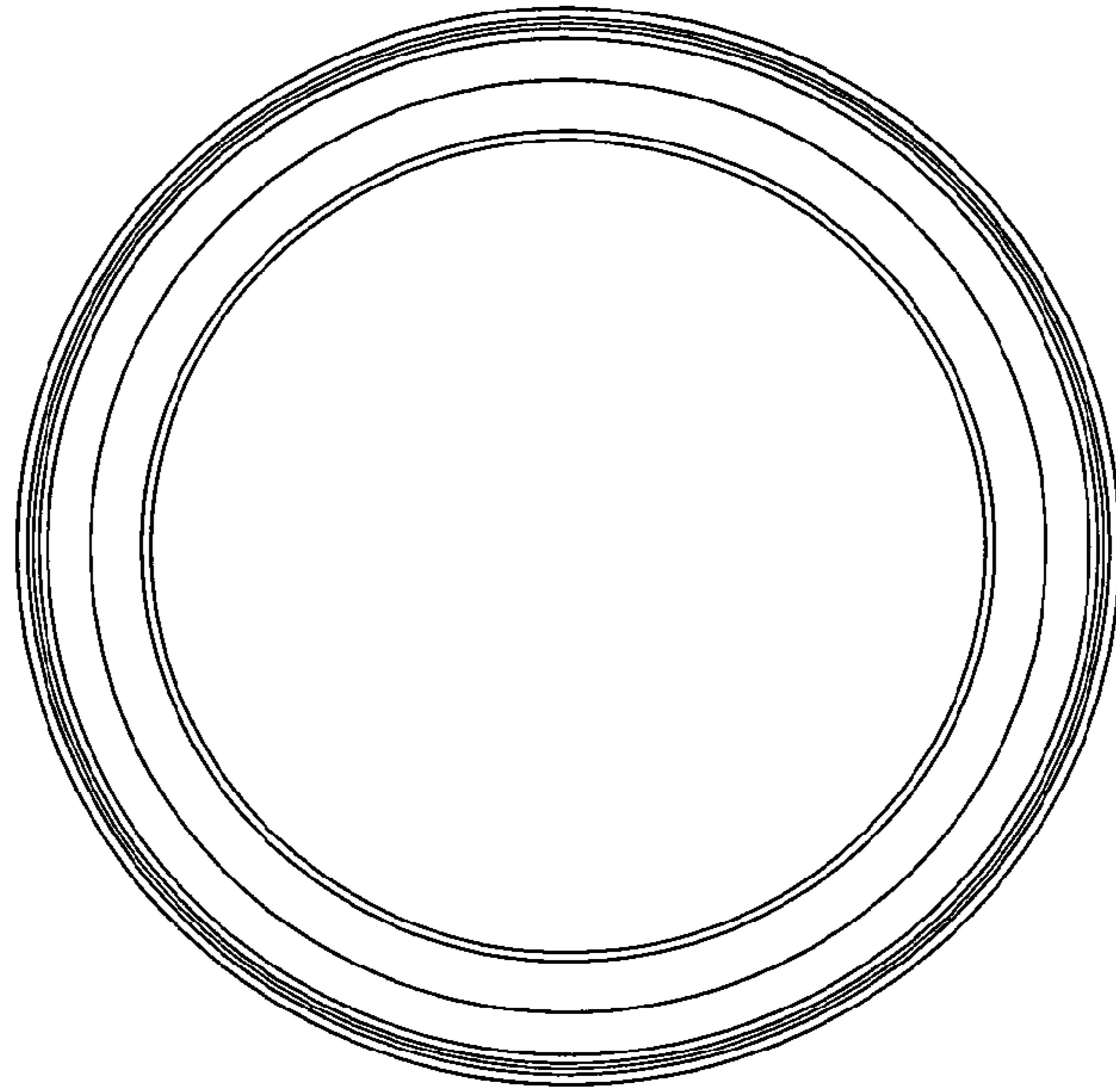
**FIG. 8**



**FIG. 9**



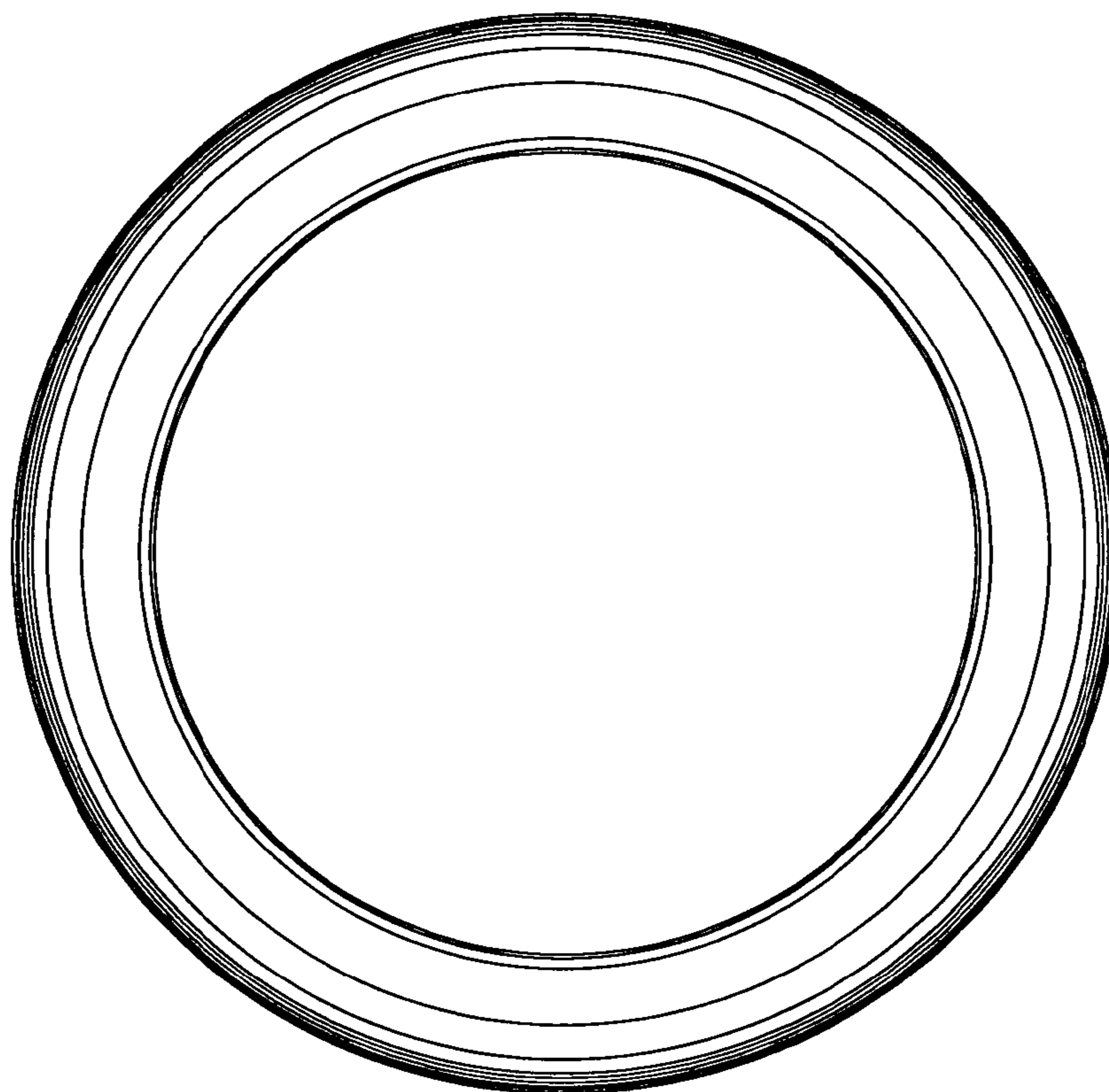
**FIG. 10**



**FIG. 11**

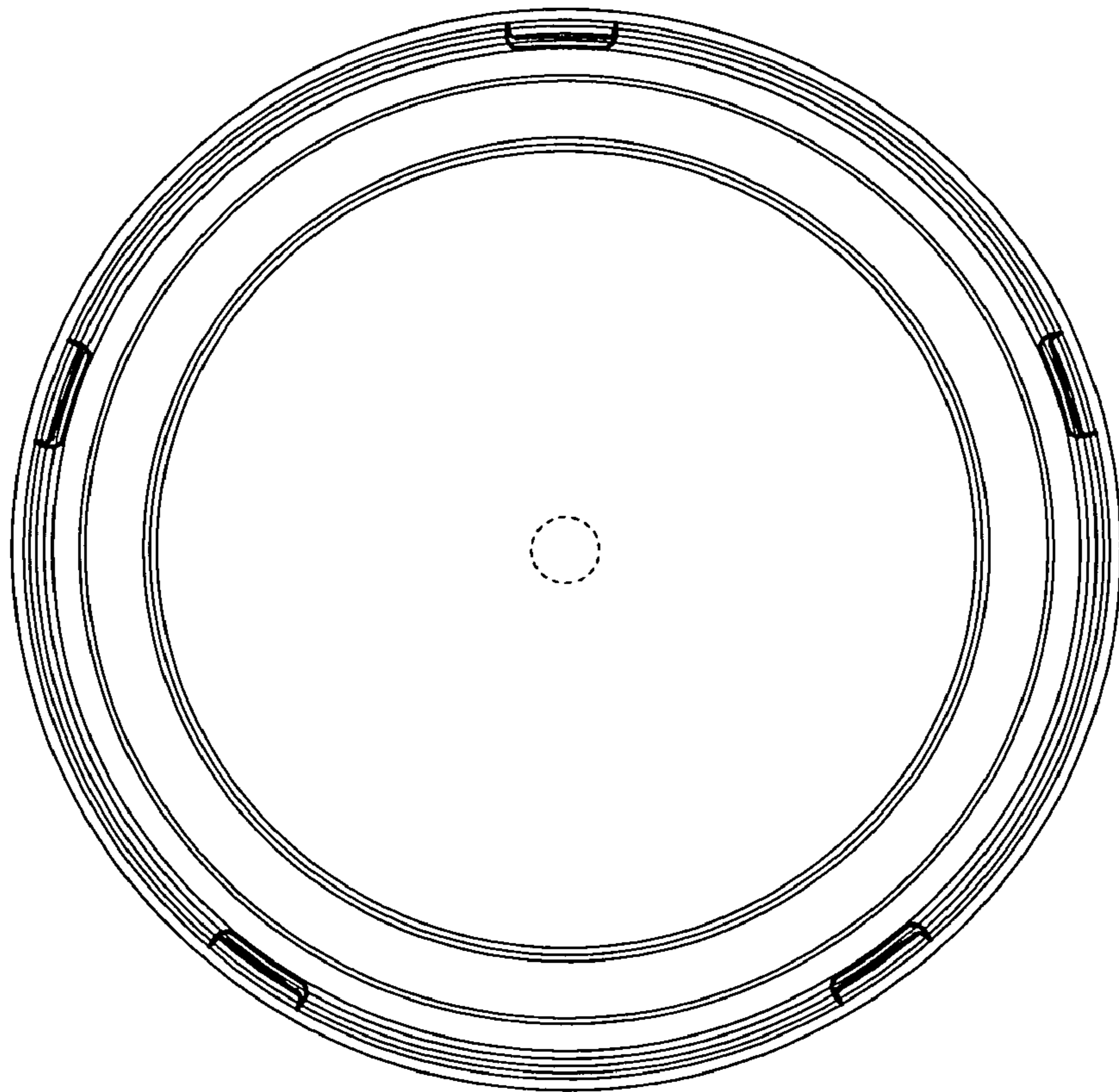


**FIG. 12**

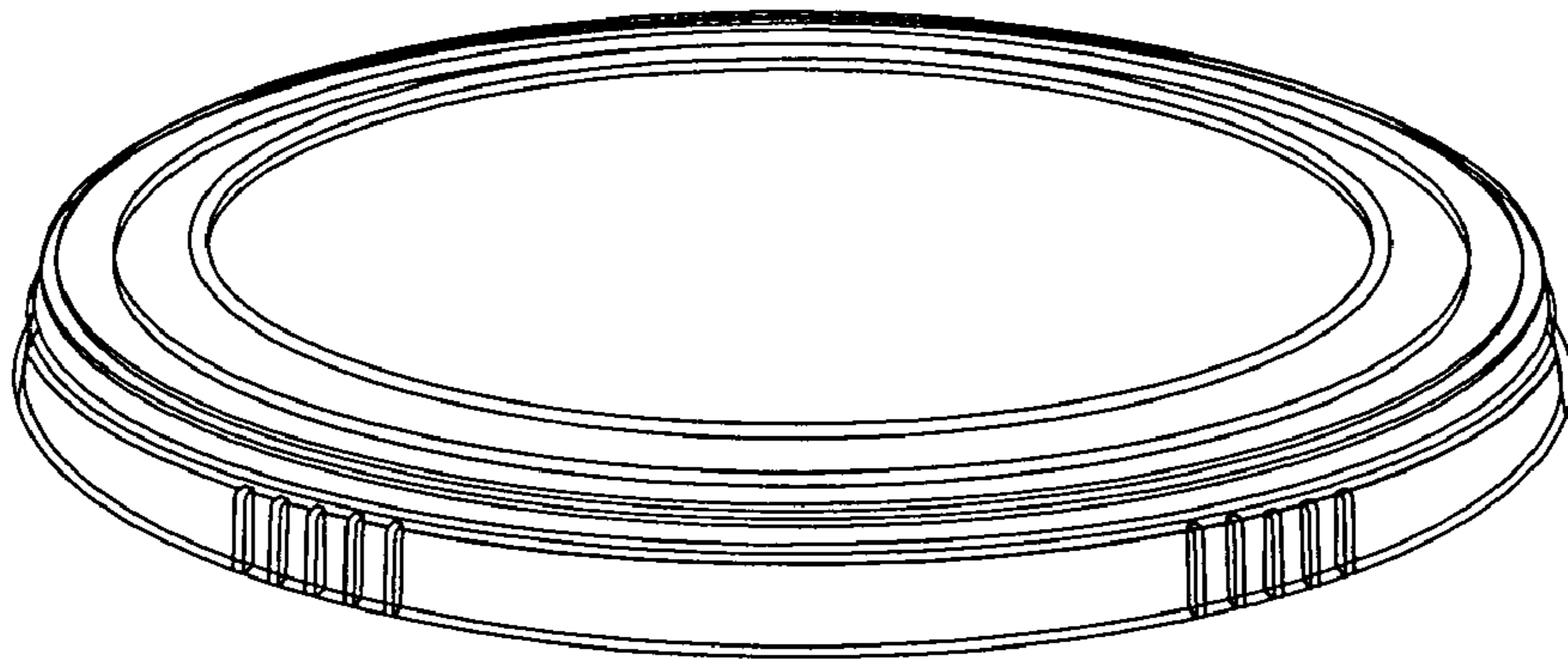


**FIG. 13**

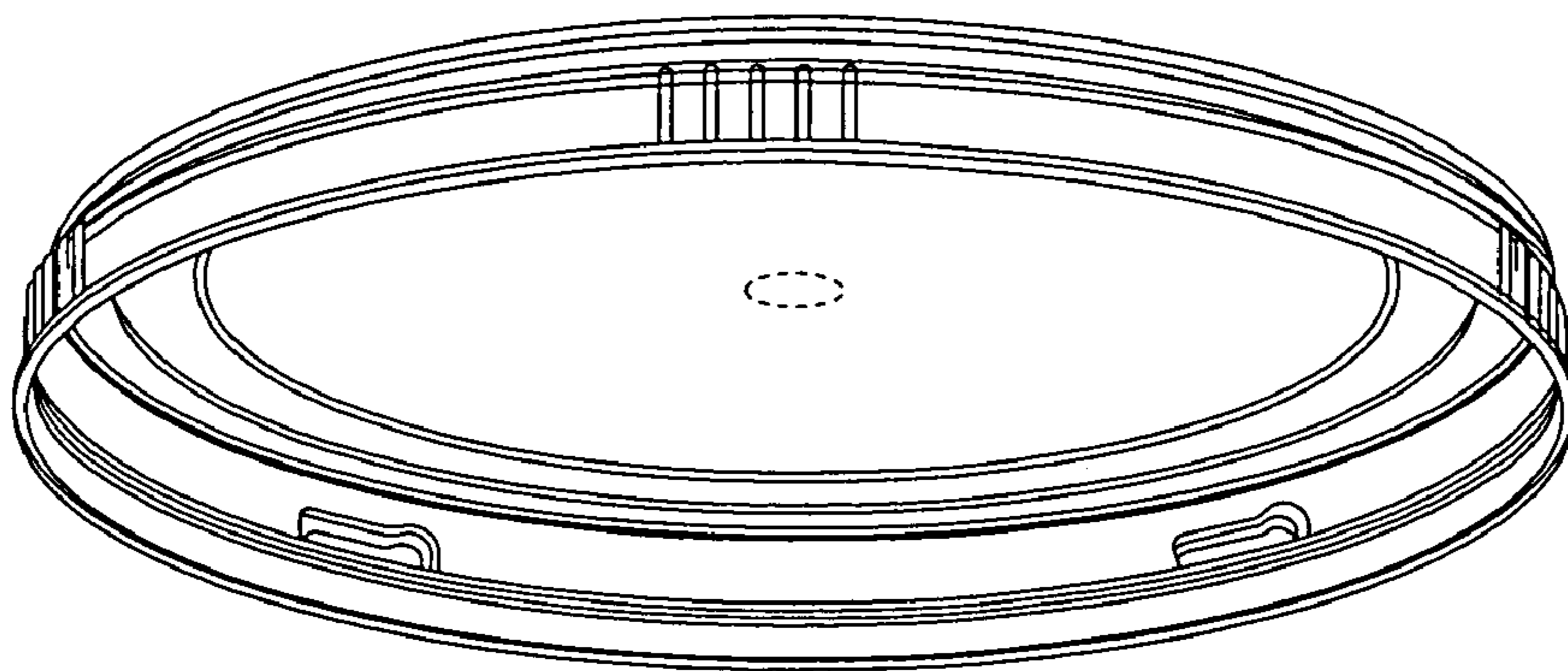




**FIG. 14**



**FIG. 15**



**FIG. 16**