



US00D649870S

(12) **United States Design Patent**
Cometto

(10) **Patent No.:** **US D649,870 S**

(45) **Date of Patent:** **** Dec. 6, 2011**

(54) **BEVERAGE CARTRIDGE**

(76) Inventor: **Michele Cometto**, Miami, FL (US)

(**) Term: **14 Years**

(21) Appl. No.: **29/398,513**

(22) Filed: **Aug. 1, 2011**

(51) **LOC (9) Cl.** **09-03**

(52) **U.S. Cl.** **D9/424**

(58) **Field of Classification Search** D9/424,
D9/414, 416, 417, 419, 425, 428, 436, 499,
D9/500; D7/300, 309, 310, 387, 400, 629,
D7/667, 700; D23/365, 366; 99/279, 295;
206/207, 501, 822; 210/233, 235, 236, 452,
210/455, 464, 474, 497.01; 220/592.18,
220/645, 659, 912; 426/77, 433, 435
See application file for complete search history.

(56) **References Cited**

U.S. PATENT DOCUMENTS

3,070,275	A	*	12/1962	Bostrom	229/4.5
D292,887	S	*	11/1987	Schouten	D9/424
D295,956	S	*	5/1988	Holewinski et al.	D9/424
D306,974	S	*	4/1990	Tholstrup	D9/424
D335,531	S	*	5/1993	Kunze et al.	D23/366
5,230,867	A	*	7/1993	Kunze et al.	422/123
D404,262	S	*	1/1999	McGill	D7/629

D407,602	S	*	4/1999	Patel	D7/400
D484,408	S	*	12/2003	Anderson	D9/500
D513,152	S	*	12/2005	Cahen	D7/400
7,093,530	B2	*	8/2006	Meister et al.	99/295
D539,643	S	*	4/2007	Abel	D9/424
7,219,598	B2	*	5/2007	Halliday et al.	99/295
D618,091	S	*	6/2010	Bizzell	D9/424

* cited by examiner

Primary Examiner — Derrick Holland

(74) *Attorney, Agent, or Firm* — Lott & Fischer, P.L.

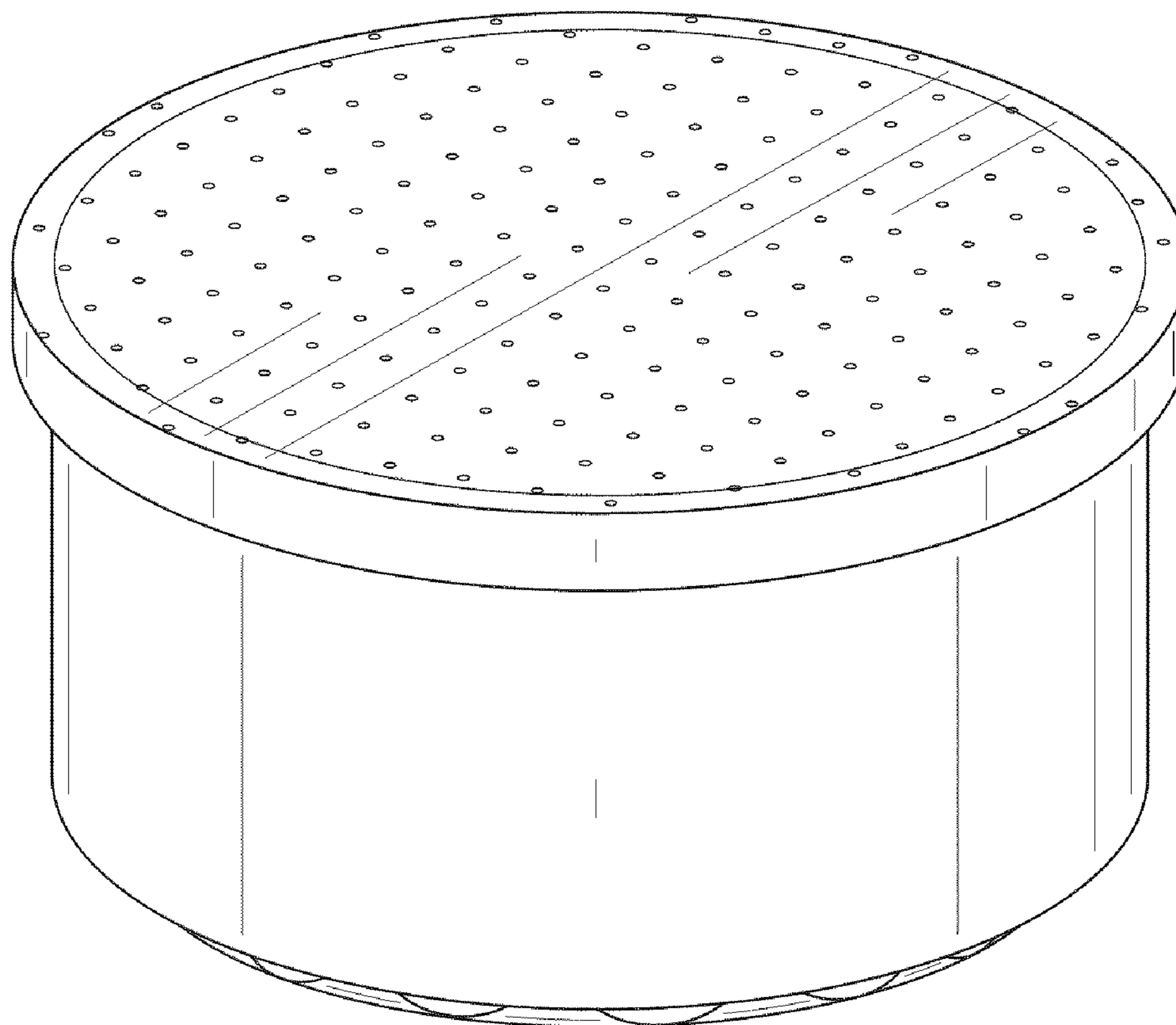
(57) **CLAIM**

The ornamental design for a beverage cartridge, substantially as shown and described.

DESCRIPTION

FIG. 1 is a top perspective view of the beverage cartridge of the present invention;
FIG. 2 is a front elevational view of the beverage cartridge in FIG. 1 the left, right, and rear elevational views thereof being identical to this view;
FIG. 3 is a top view of the beverage cartridge in FIG. 1;
FIG. 4 is a bottom view of the beverage cartridge in FIG. 1; and,
FIG. 5 is a bottom perspective view of the beverage cartridge of the present invention.

1 Claim, 5 Drawing Sheets



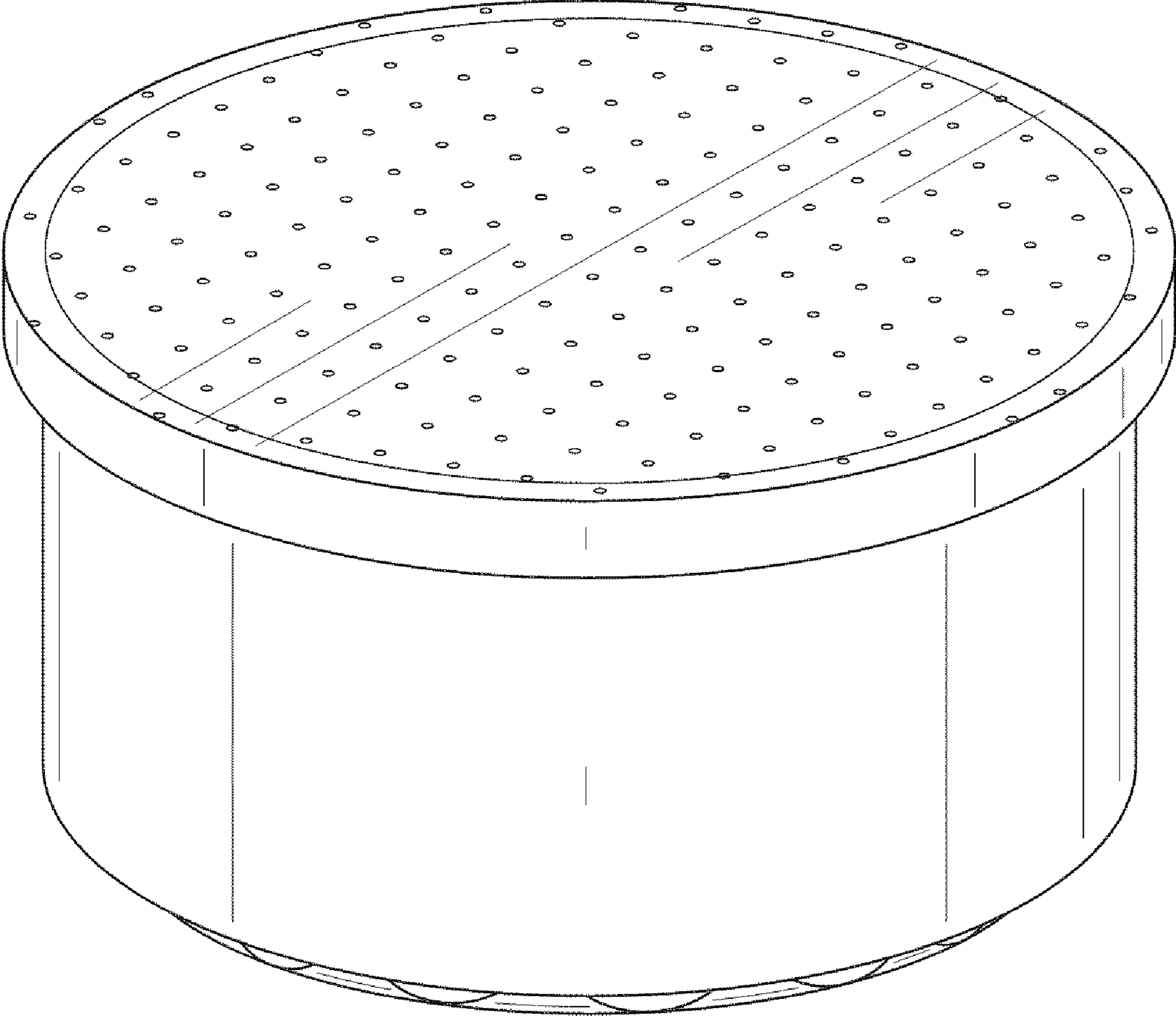


FIG. 1

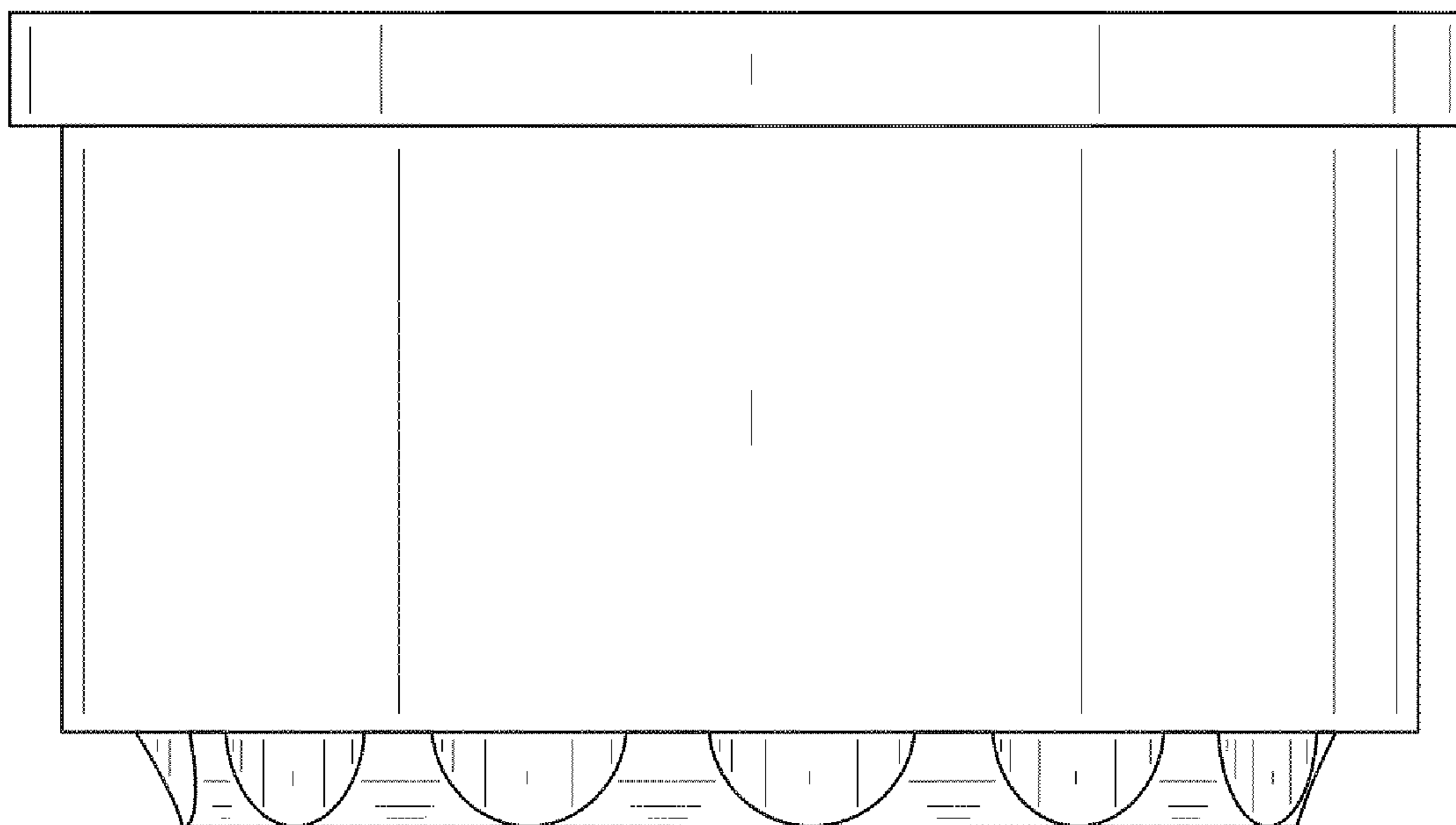


FIG. 2

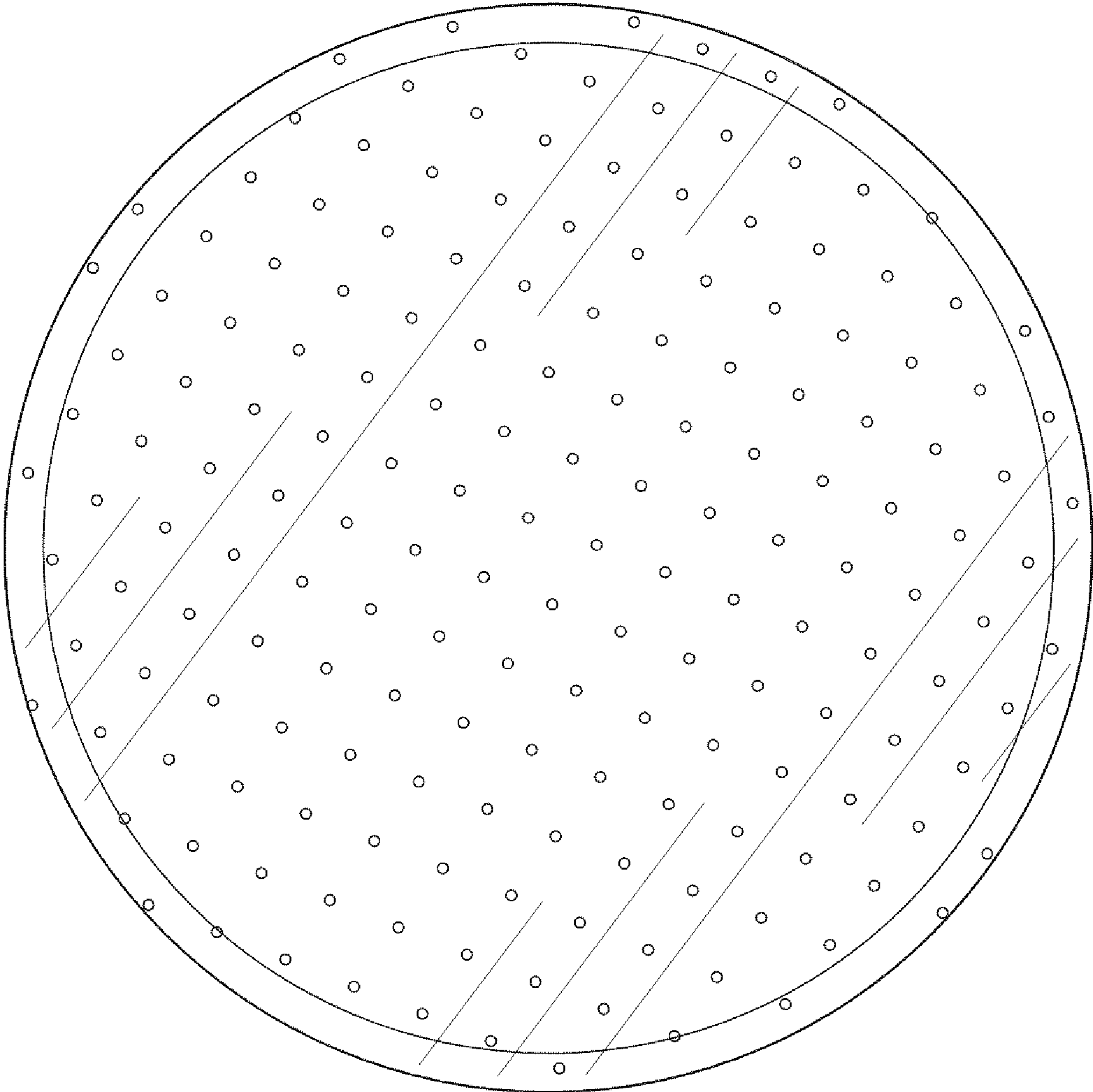


FIG. 3

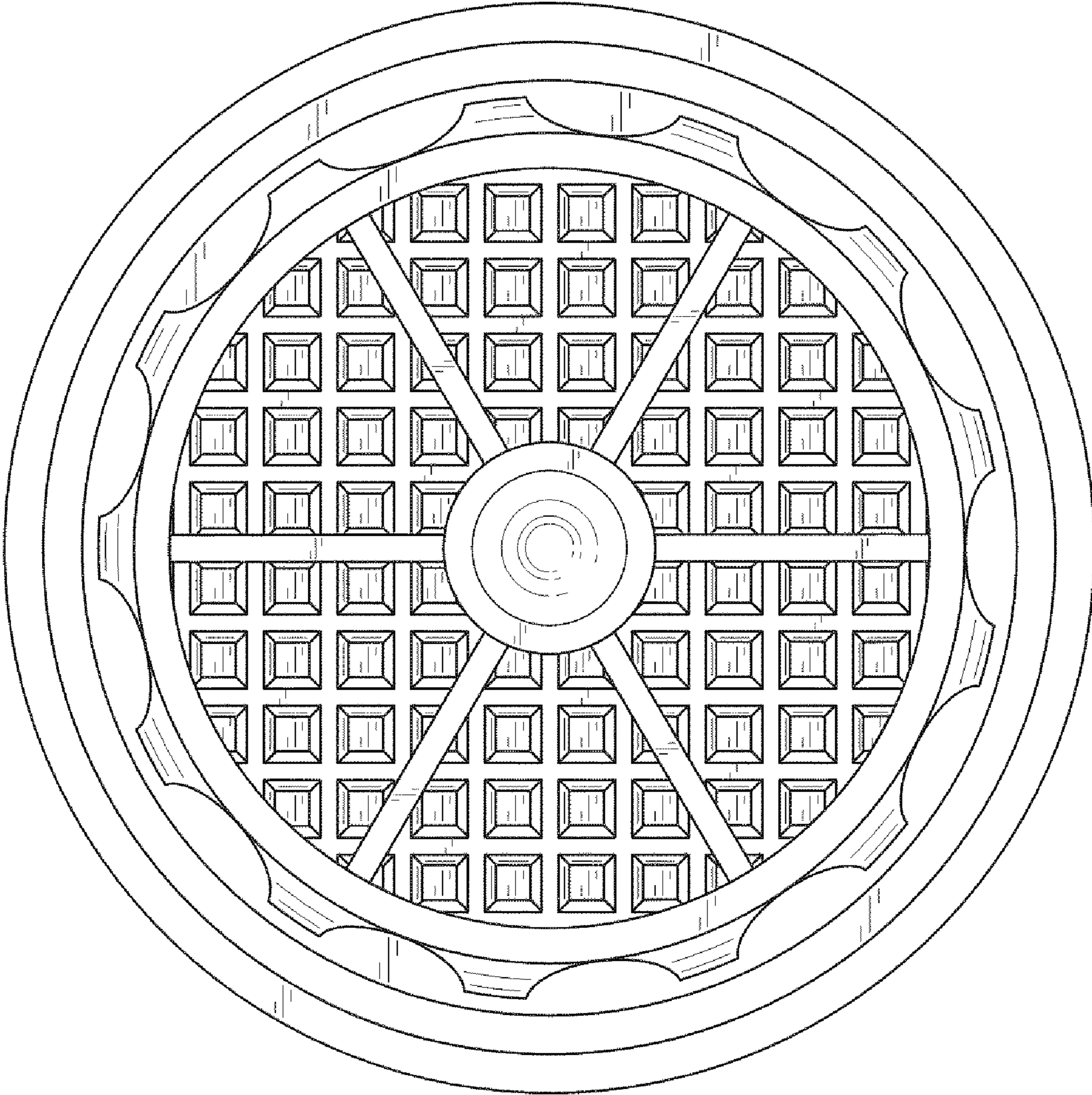


FIG. 4

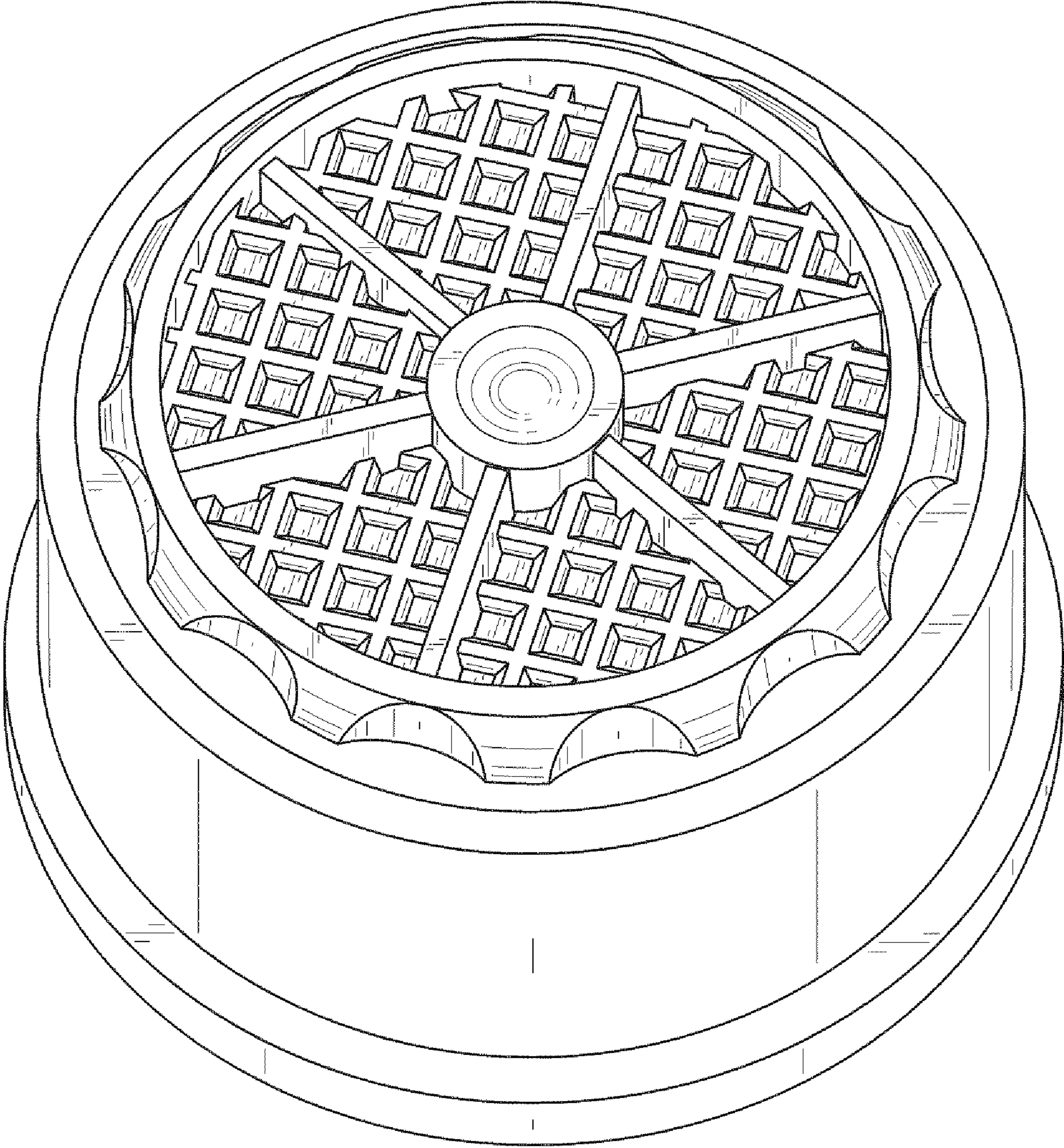


FIG. 5