



US00D649865S

(12) **United States Design Patent**
English et al.

(10) **Patent No.:** **US D649,865 S**

(45) **Date of Patent:** **** Dec. 6, 2011**

(54) **SNEEZE GUARD BRACKET**

(76) Inventors: **Douglas A. English**, El Dorado Hills, CA (US); **Andrew J. Davis**, Folsom, CA (US); **Brady S. Justice**, Carmichael, CA (US)

(**) Term: **14 Years**

(21) Appl. No.: **29/384,669**

(22) Filed: **Feb. 2, 2011**

(51) **LOC (9) Cl.** **08-05**

(52) **U.S. Cl.** **D8/363**

(58) **Field of Classification Search** D8/349,
D8/354, 363, 380; 248/300, 309.1
See application file for complete search history.

(56) **References Cited**

U.S. PATENT DOCUMENTS

D386,666 S * 11/1997 Hodges D8/349
D495,590 S * 9/2004 Goodman et al. D8/367

* cited by examiner

Primary Examiner — Holly Baynham

(74) *Attorney, Agent, or Firm* — Catherine Ashley Straight

(57) **CLAIM**

The ornamental design for a sneeze guard bracket, as shown and described.

DESCRIPTION

FIG. 1 is a left rear perspective view of a sneeze guard bracket, showing our new design;

FIG. 2 is a top plan view, thereof;

FIG. 3 is a right side elevational view, thereof;

FIG. 4 is a rear elevational view, thereof;

FIG. 5 is a front elevational view, thereof;

FIG. 6 is a left side elevational view thereof;

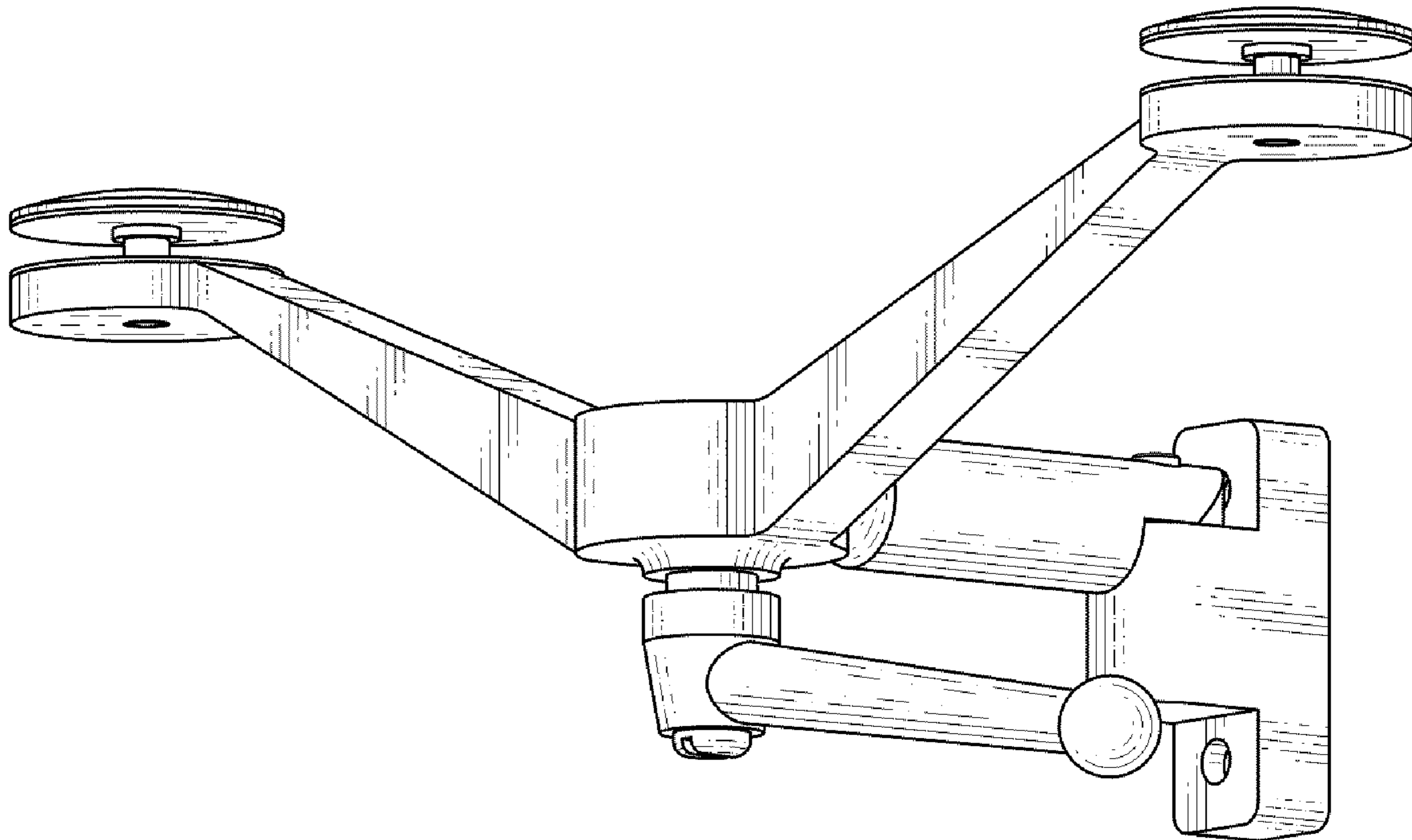
FIG. 7 is a bottom plan view, thereof;

FIG. 8 is a left rear perspective view, thereof, showing the support arms and adjustment handle rotated into an alternative position; and,

FIG. 9 is a front perspective view thereof showing the support arms and adjustment handle rotated into a further alternative position, with a second sneeze guard bracket in a third alternative position, shown in broken lines, attached to the opposite side of a sneeze guard post, included for illustrative purposes only.

The sneeze guard post (fragmentary), slide adjustable mounting bar and track, and transparent pane (fragmentary), shown in broken lines in FIGS. 8 and 9, showing the article in environment is included solely for illustrative purposes, and forms no part of the claimed design.

1 Claim, 3 Drawing Sheets



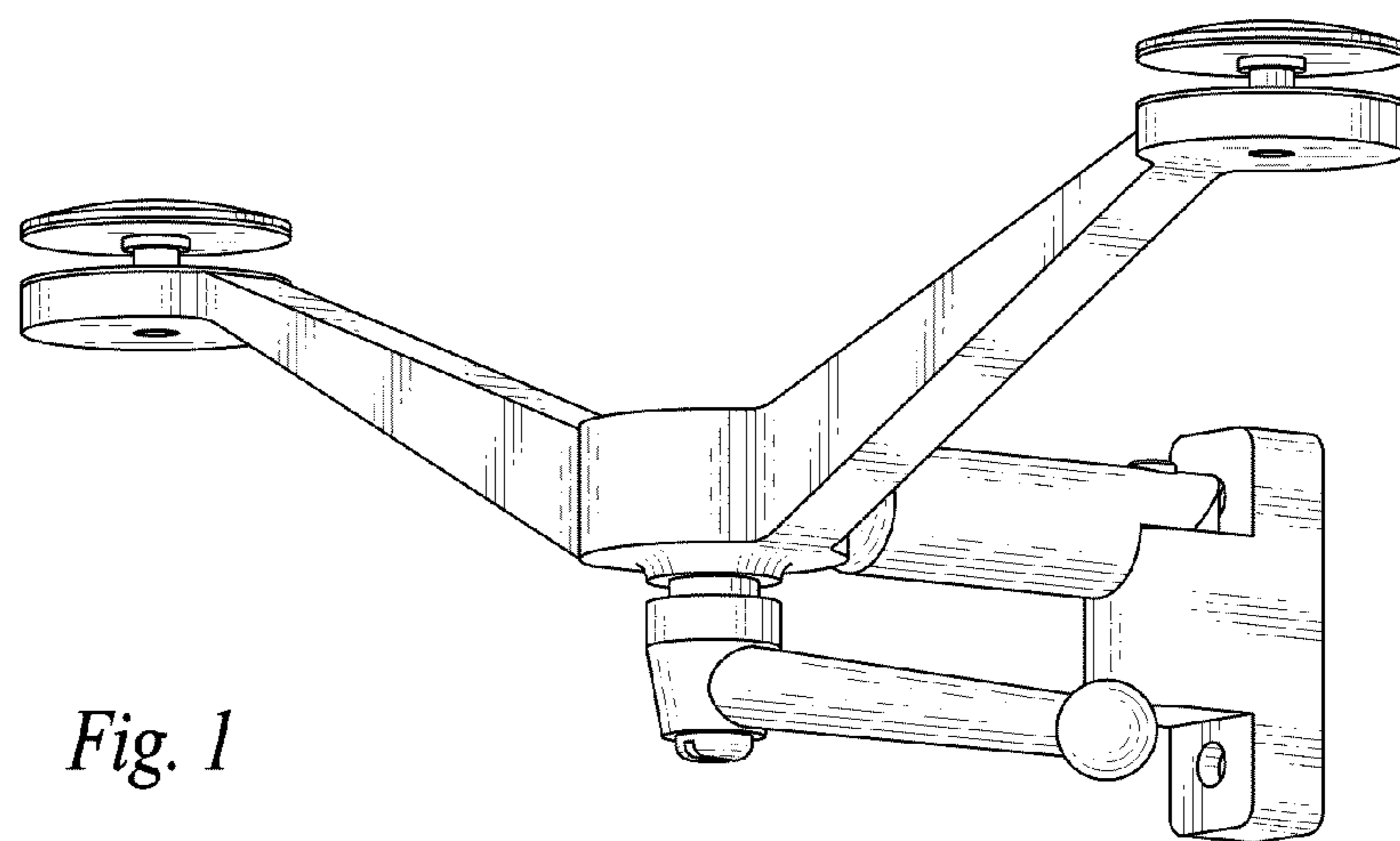


Fig. 1

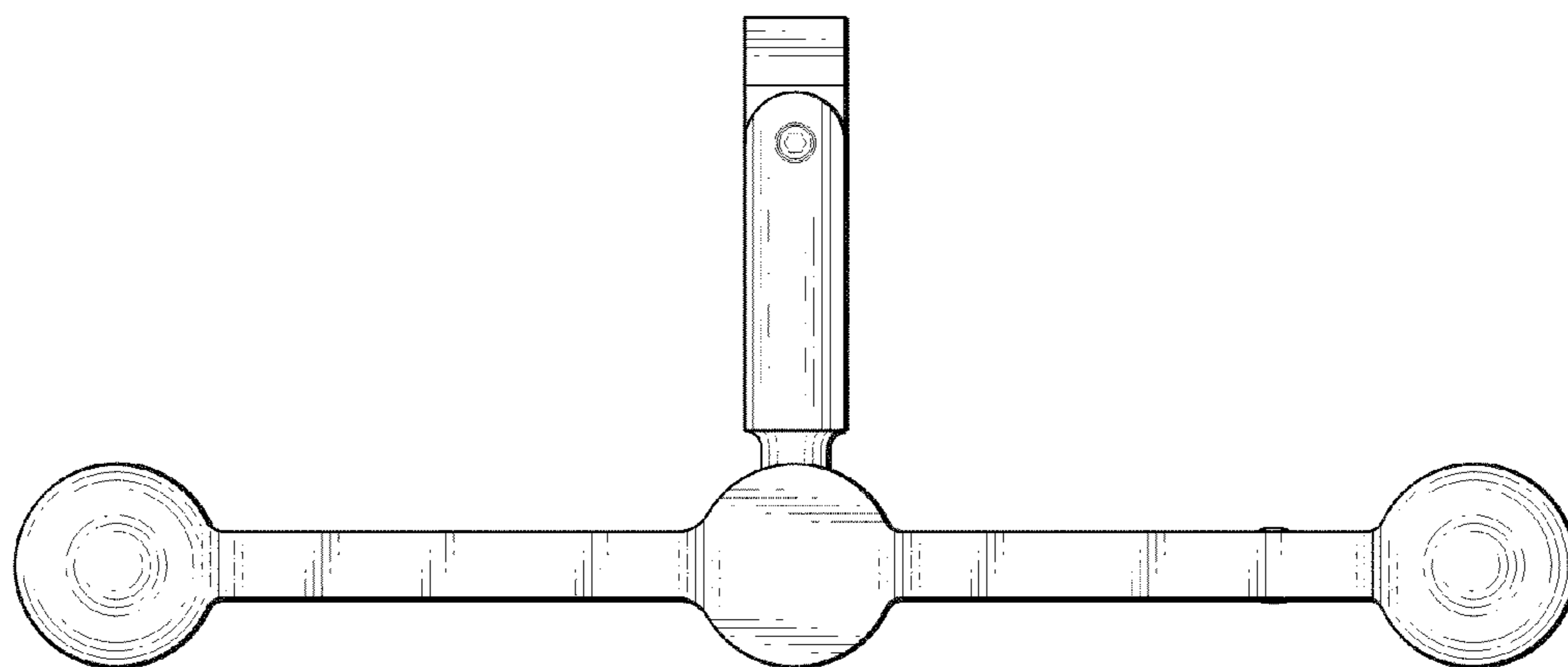


Fig. 2

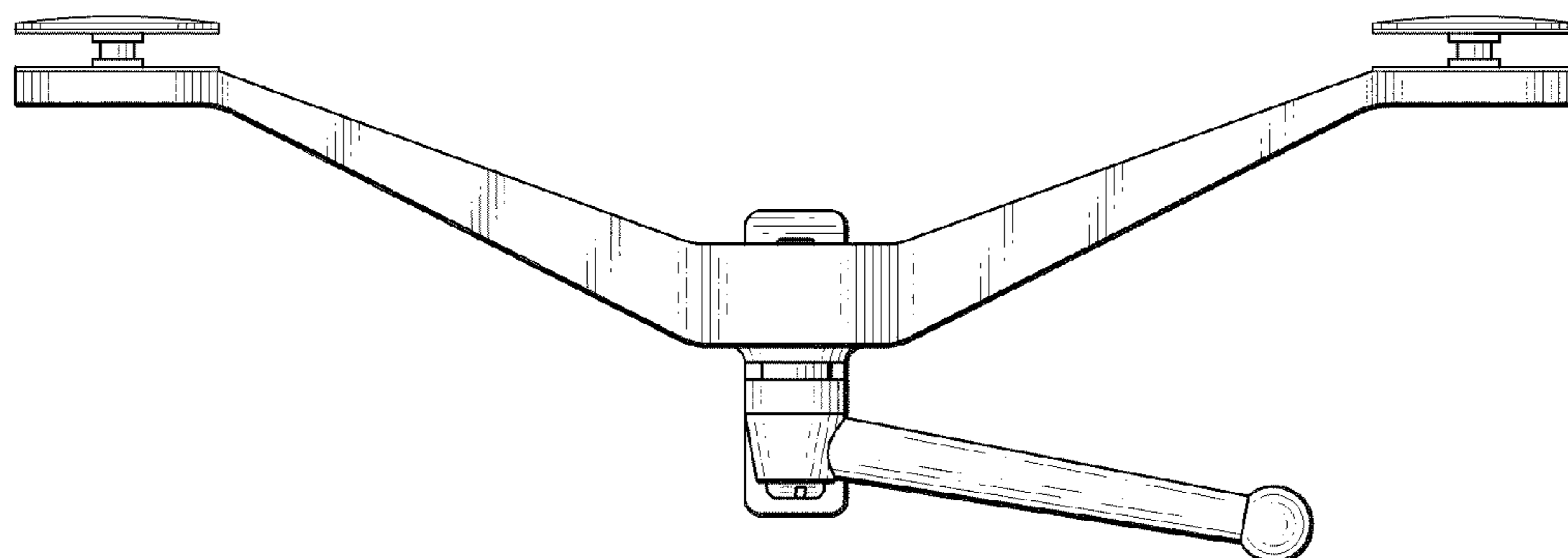


Fig. 3

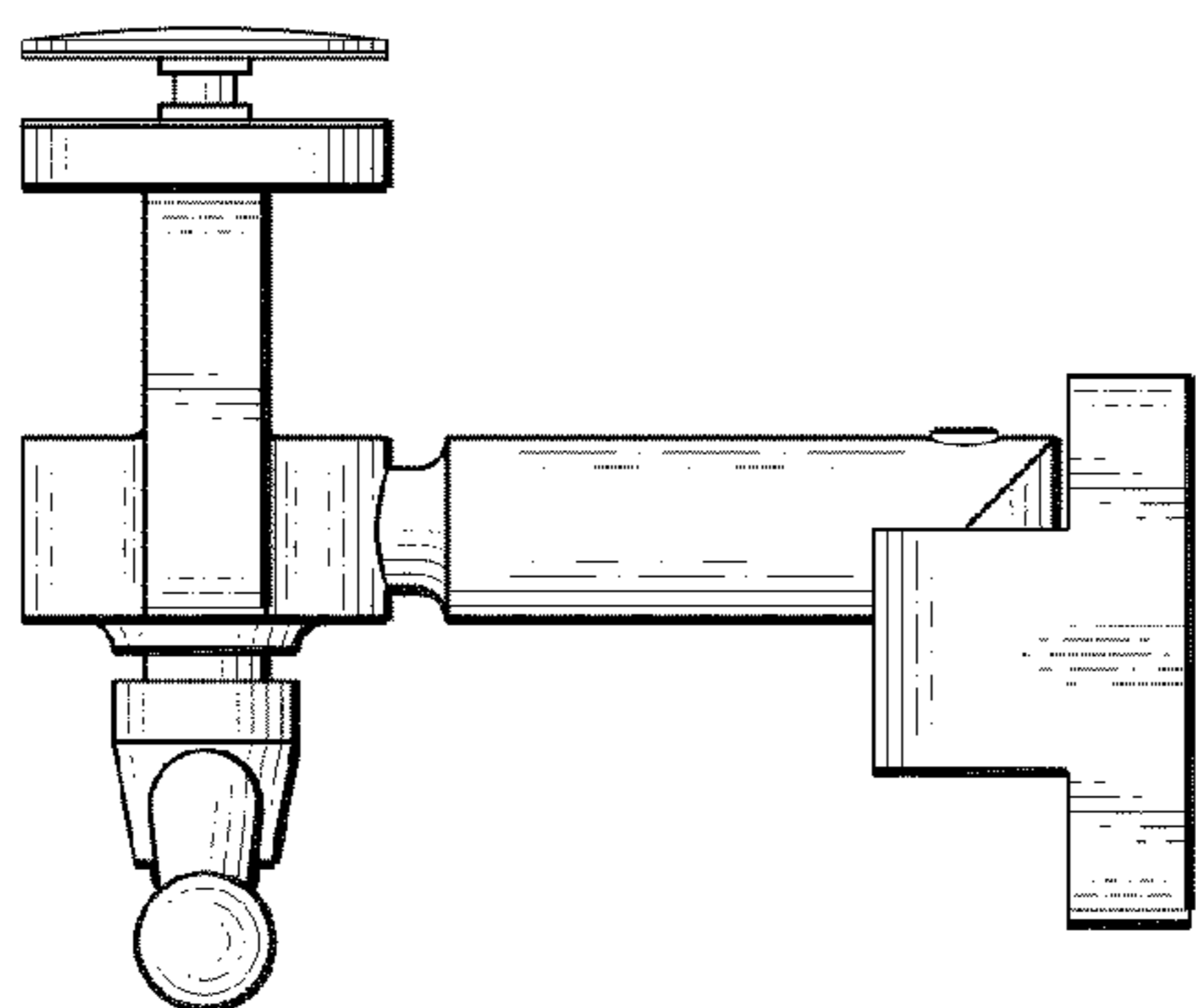


Fig. 4

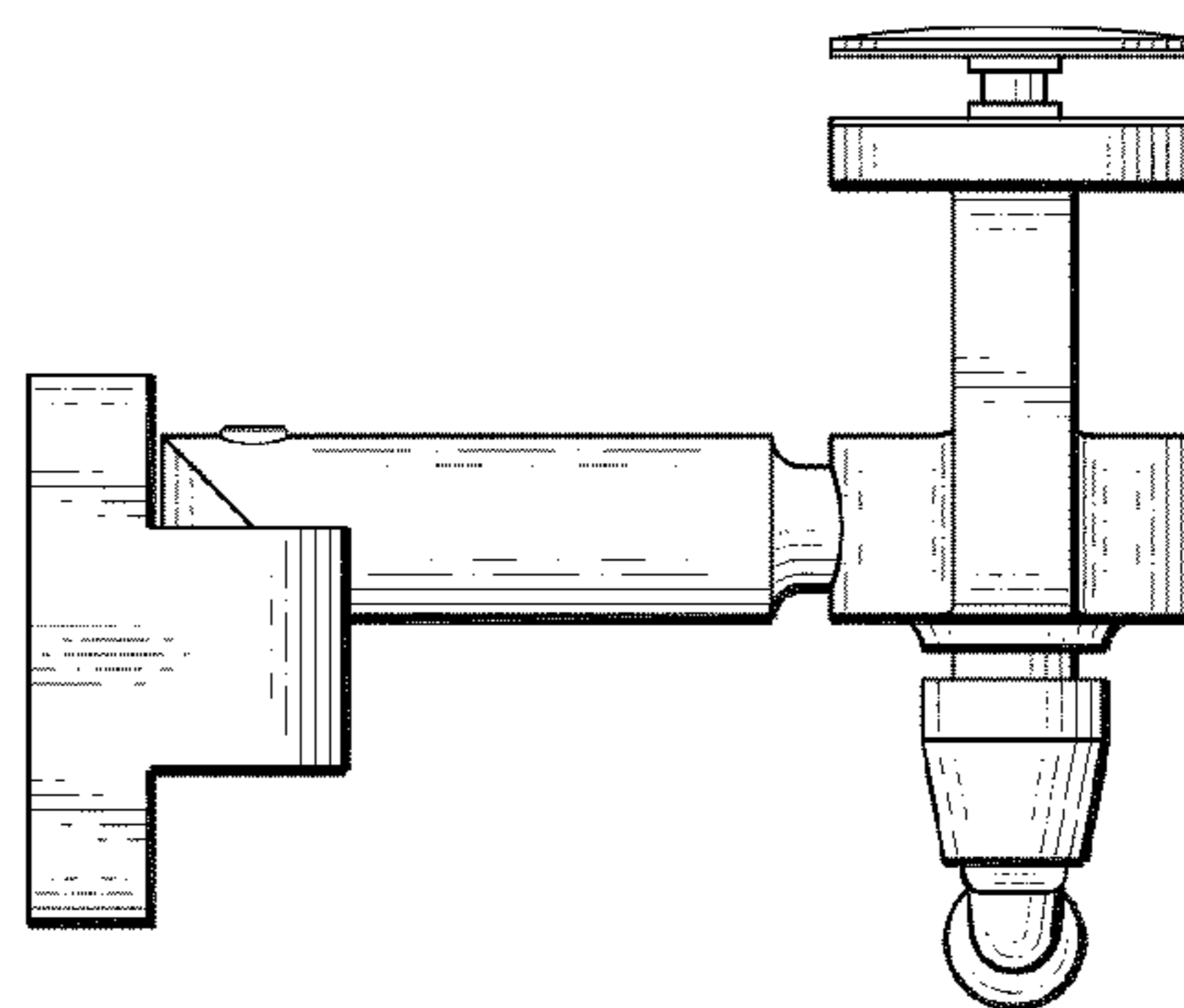


Fig. 5

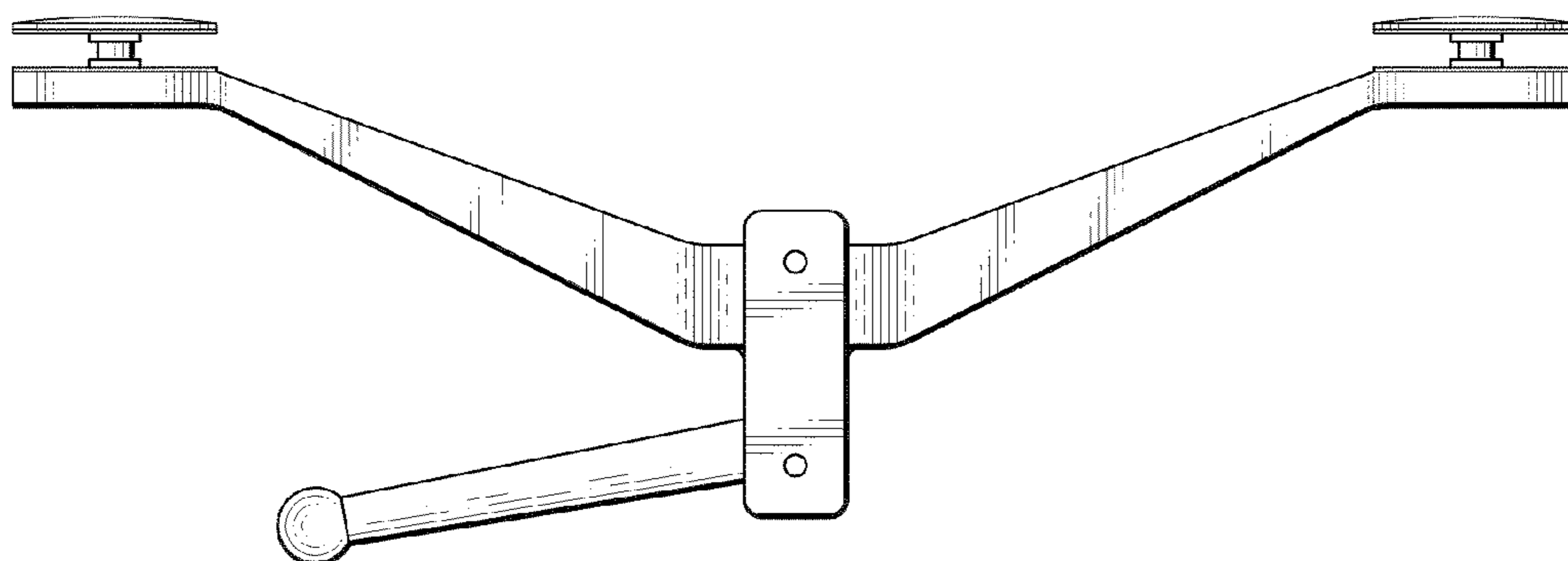


Fig. 6

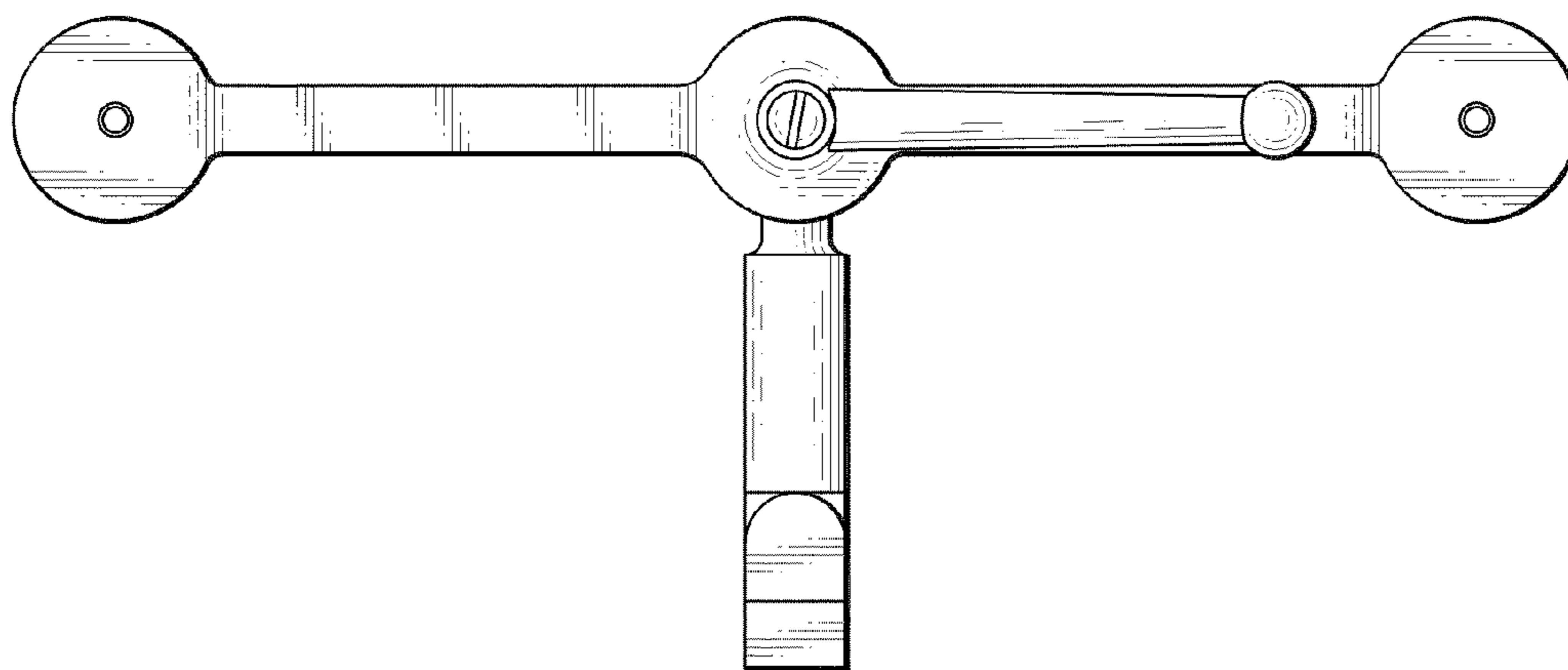


Fig. 7

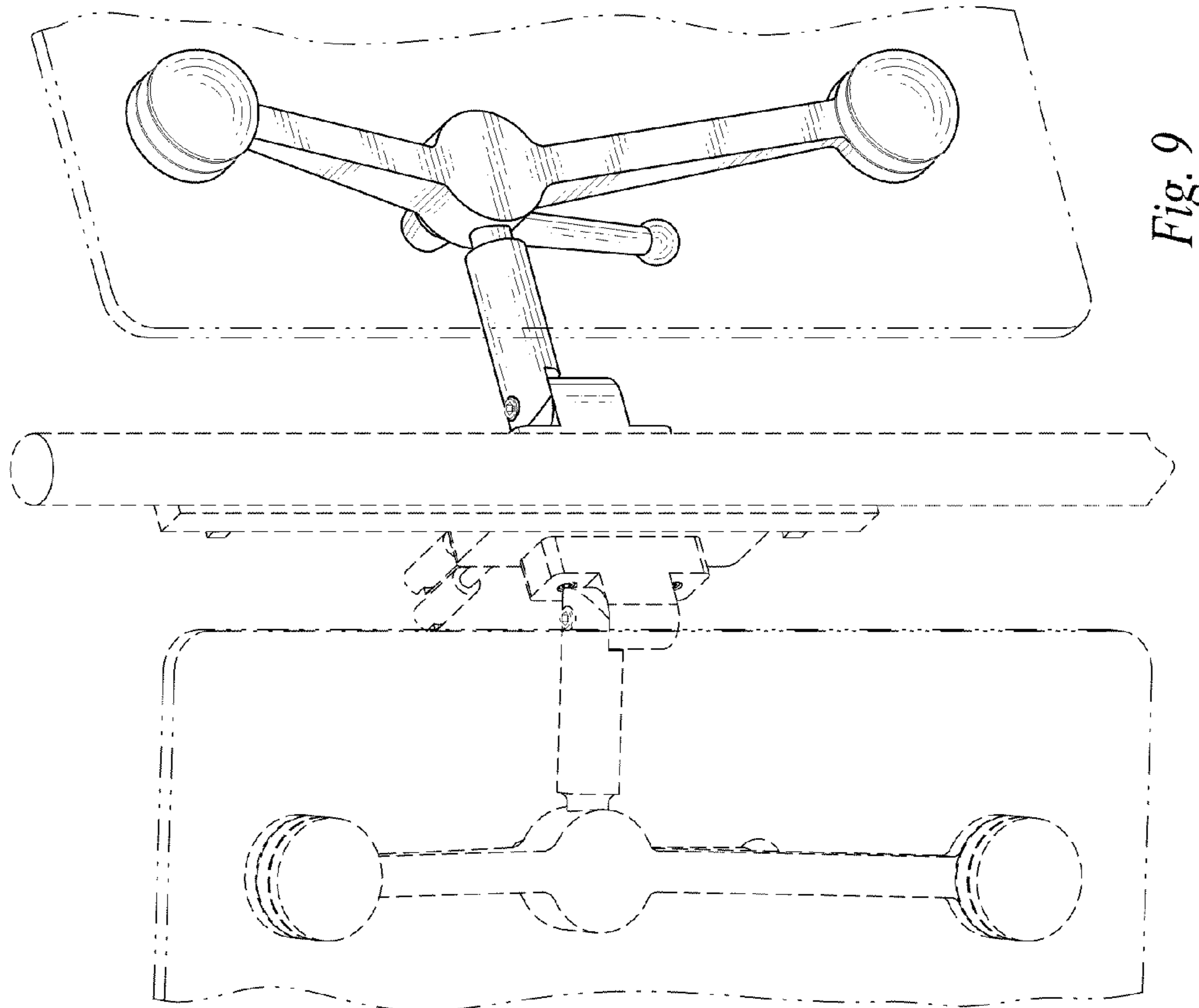


Fig. 9

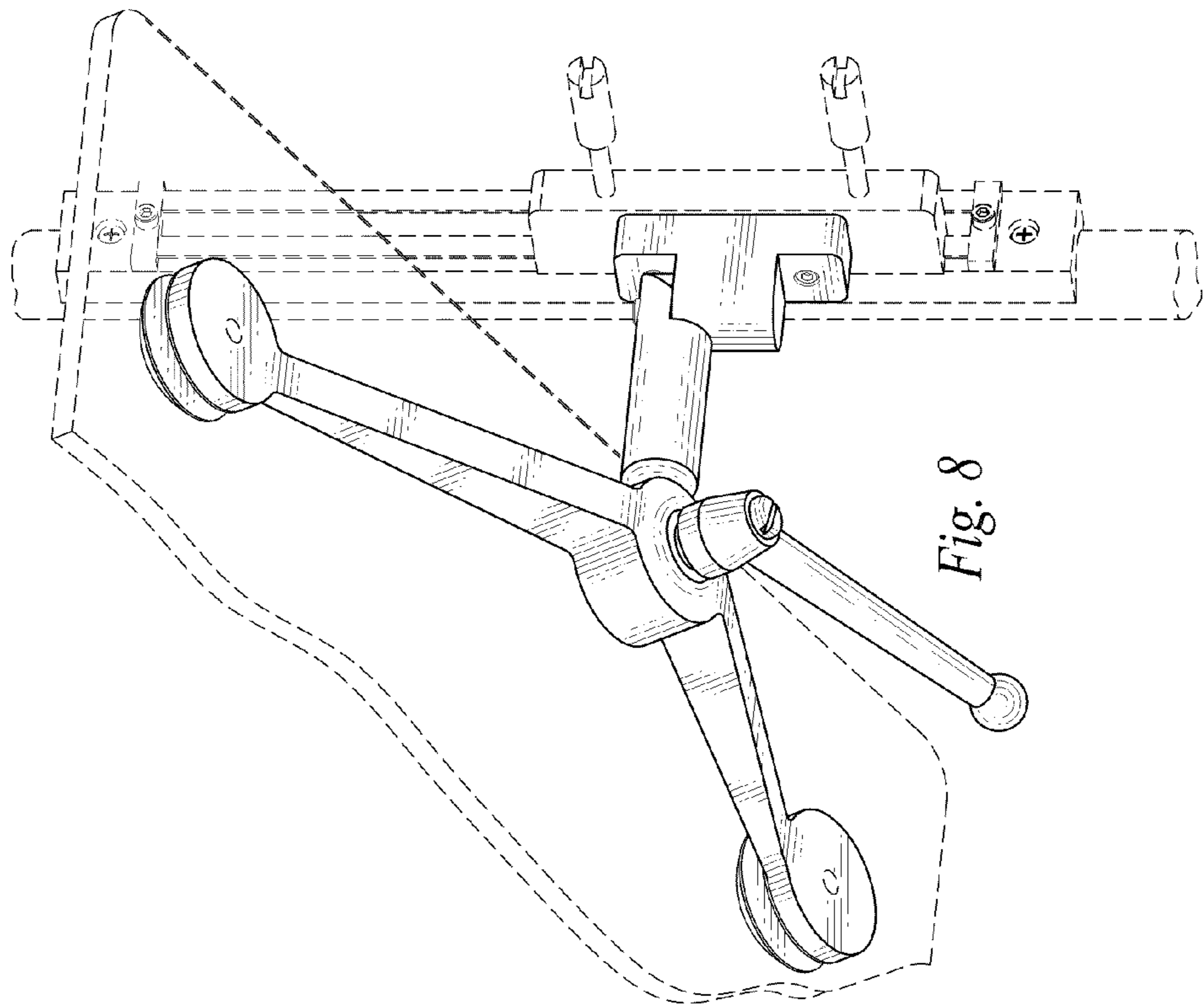


Fig. 8