



US00D649864S

(12) **United States Design Patent**
Symons

(10) **Patent No.:** **US D649,864 S**

(45) **Date of Patent:** **** Dec. 6, 2011**

(54) **CABLE ORGANIZER**

(76) Inventor: **Dominic Symons**, Pasadena, CA (US)

(**) Term: **14 Years**

(21) Appl. No.: **29/390,294**

(22) Filed: **Apr. 22, 2011**

(51) **LOC (9) Cl.** **08-05**

(52) **U.S. Cl.** **D8/356**

(58) **Field of Classification Search** D8/356,
D8/354, 349, 330, 331, 383; 439/501; 70/421,
70/371, 369, 208; D22/108; D11/216

See application file for complete search history.

(56) **References Cited**

U.S. PATENT DOCUMENTS

4,667,824	A *	5/1987	Ditchfield	206/408
6,051,794	A *	4/2000	Katou et al.	174/152 G
6,227,502	B1 *	5/2001	Derman	248/74.4
6,234,418	B1 *	5/2001	Donaldson	242/402
D483,653	S *	12/2003	Immerman	D8/354
D506,381	S *	6/2005	Lu	D8/349
D519,408	S *	4/2006	Lundstedt	D11/216

2010/0132979 A1* 6/2010 Chen 174/135

* cited by examiner

Primary Examiner — Cynthia Underwood

(74) *Attorney, Agent, or Firm* — Marc E. Hankin; Kevin Schraven; Hankin Patent Law, APC

(57) **CLAIM**

I claim the ornamental design for a cable organizer, as shown.

DESCRIPTION

FIG. 1 is an illustration of a perspective back view of the cable organizer.

FIG. 2 is an illustration of a perspective front view of the cable organizer.

FIG. 3 is an illustration of a back view of the cable organizer.

FIG. 4 is an illustration of a front view of the cable organizer.

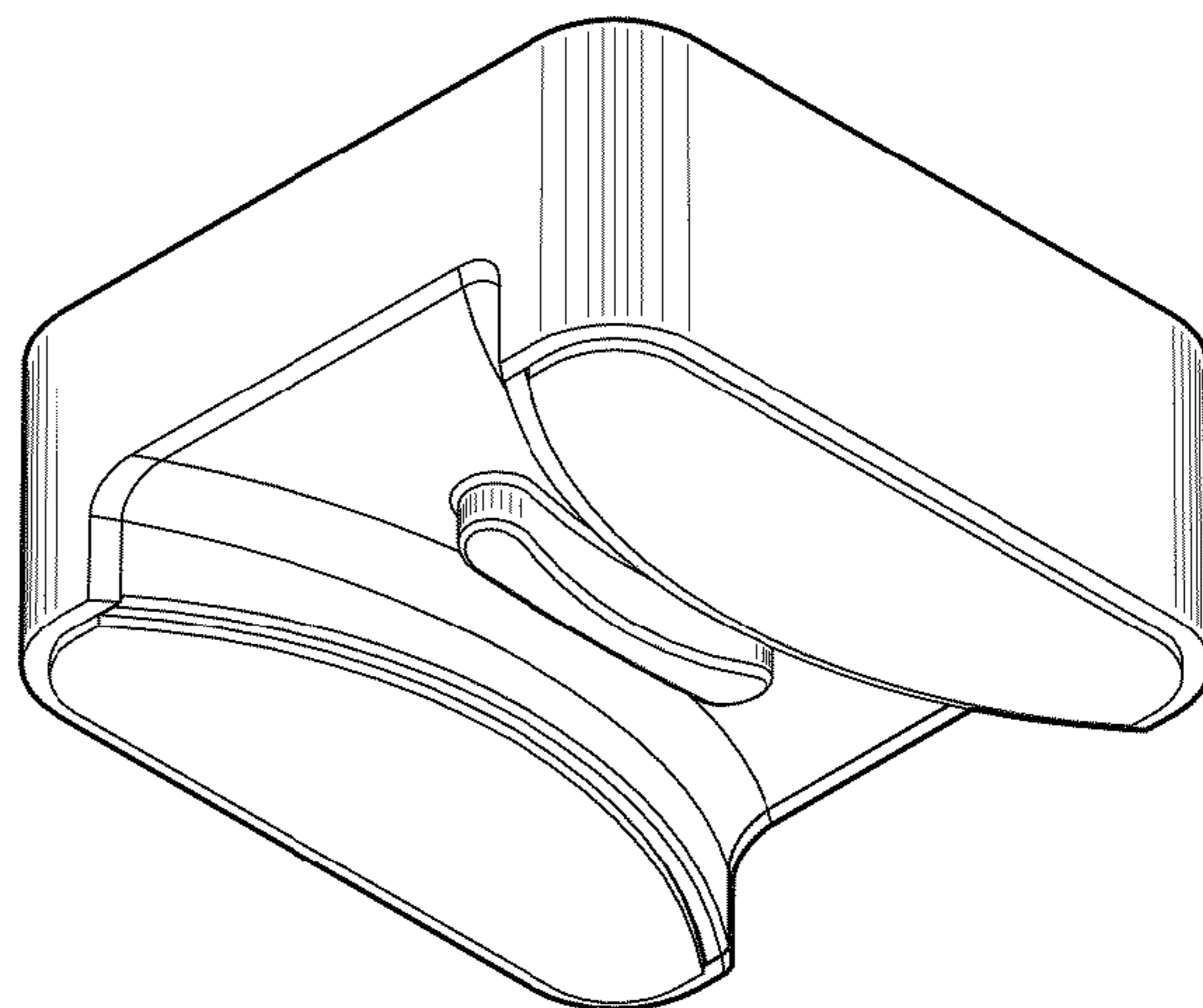
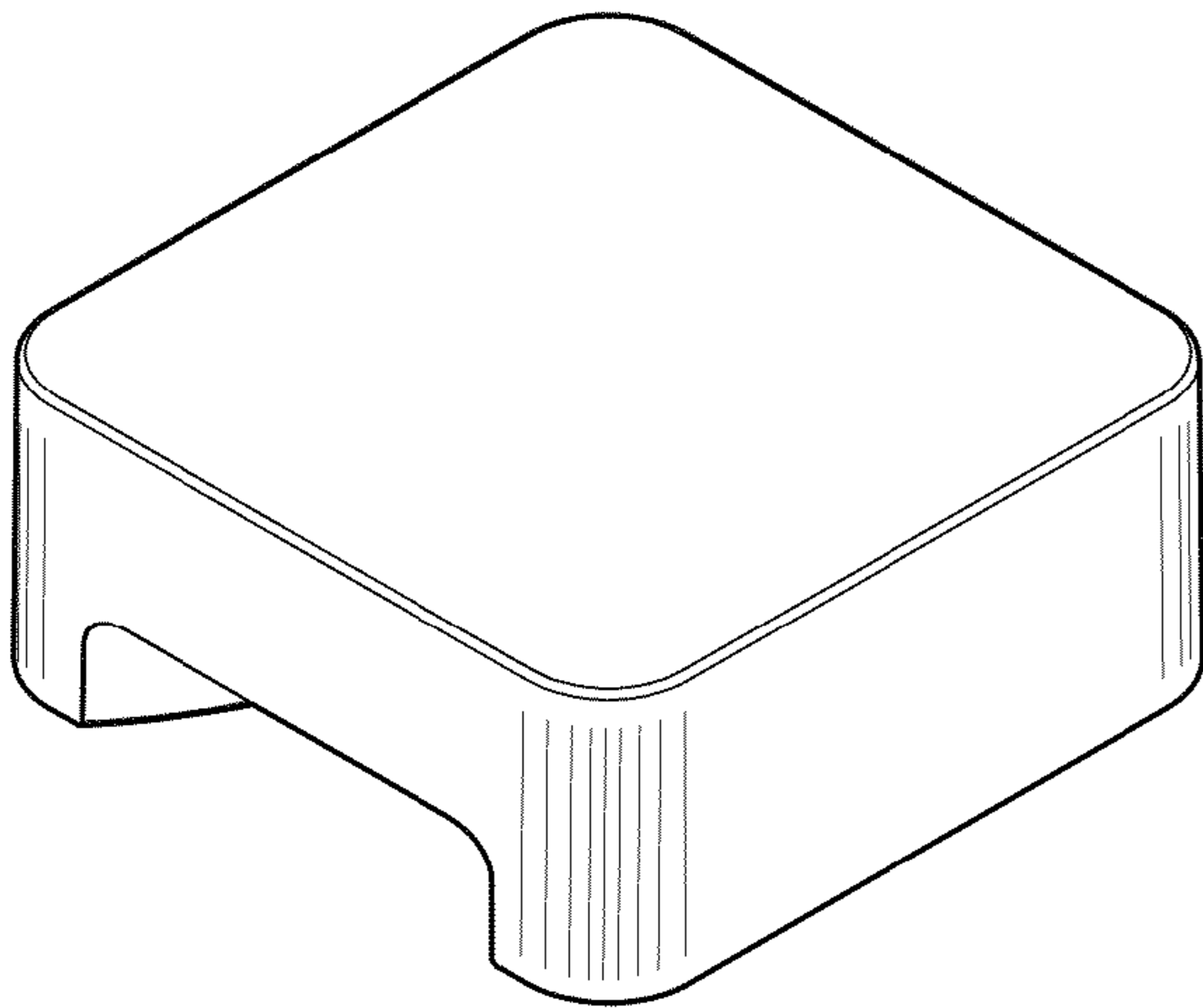
FIG. 5 is an illustration of a left side view of the cable organizer.

FIG. 6 is an illustration of a right side view of the cable organizer.

FIG. 7 is an illustration of a top view of the cable organizer; and,

FIG. 8 is an illustration of a bottom view of the cable organizer.

1 Claim, 8 Drawing Sheets



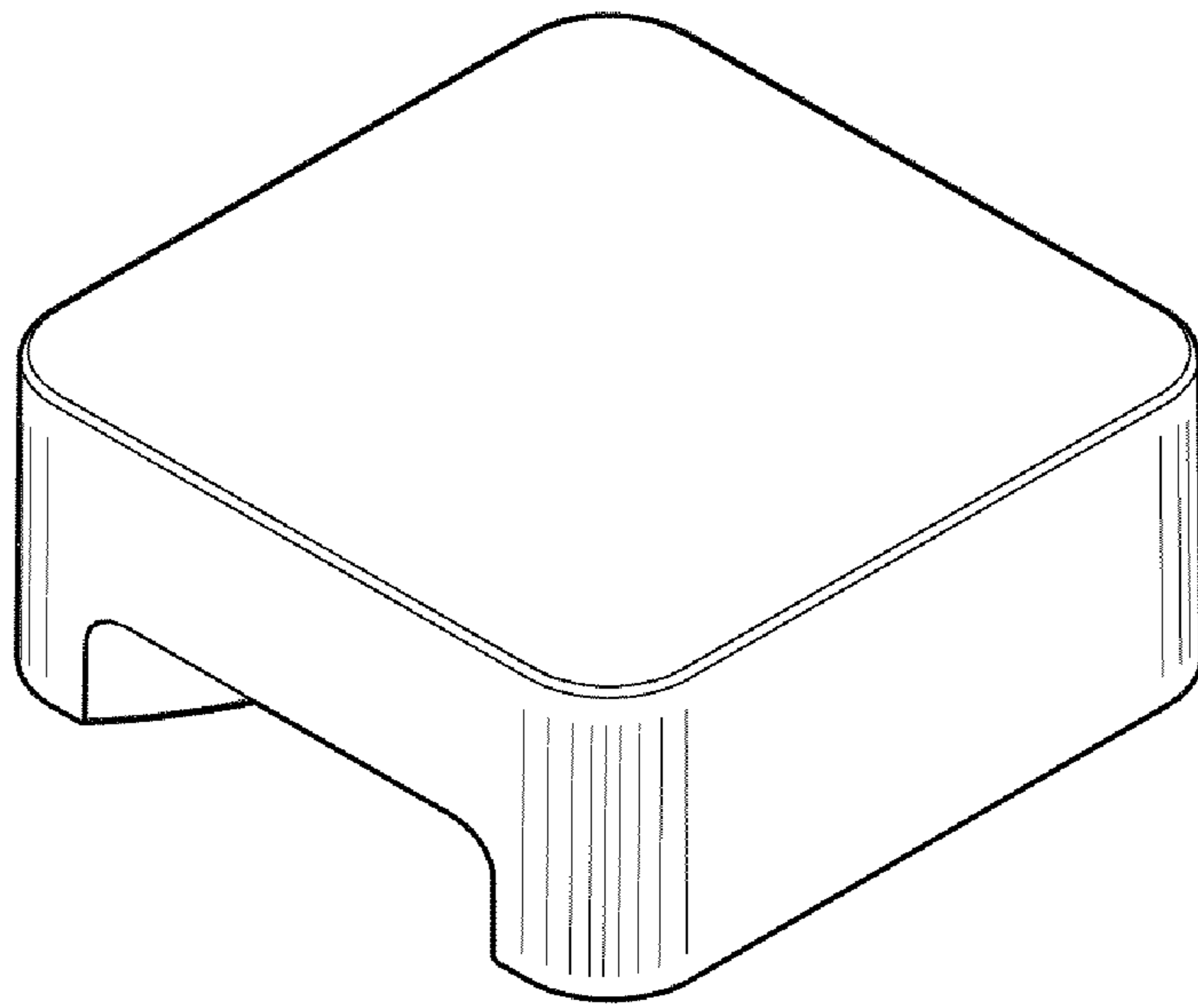


FIG. 1

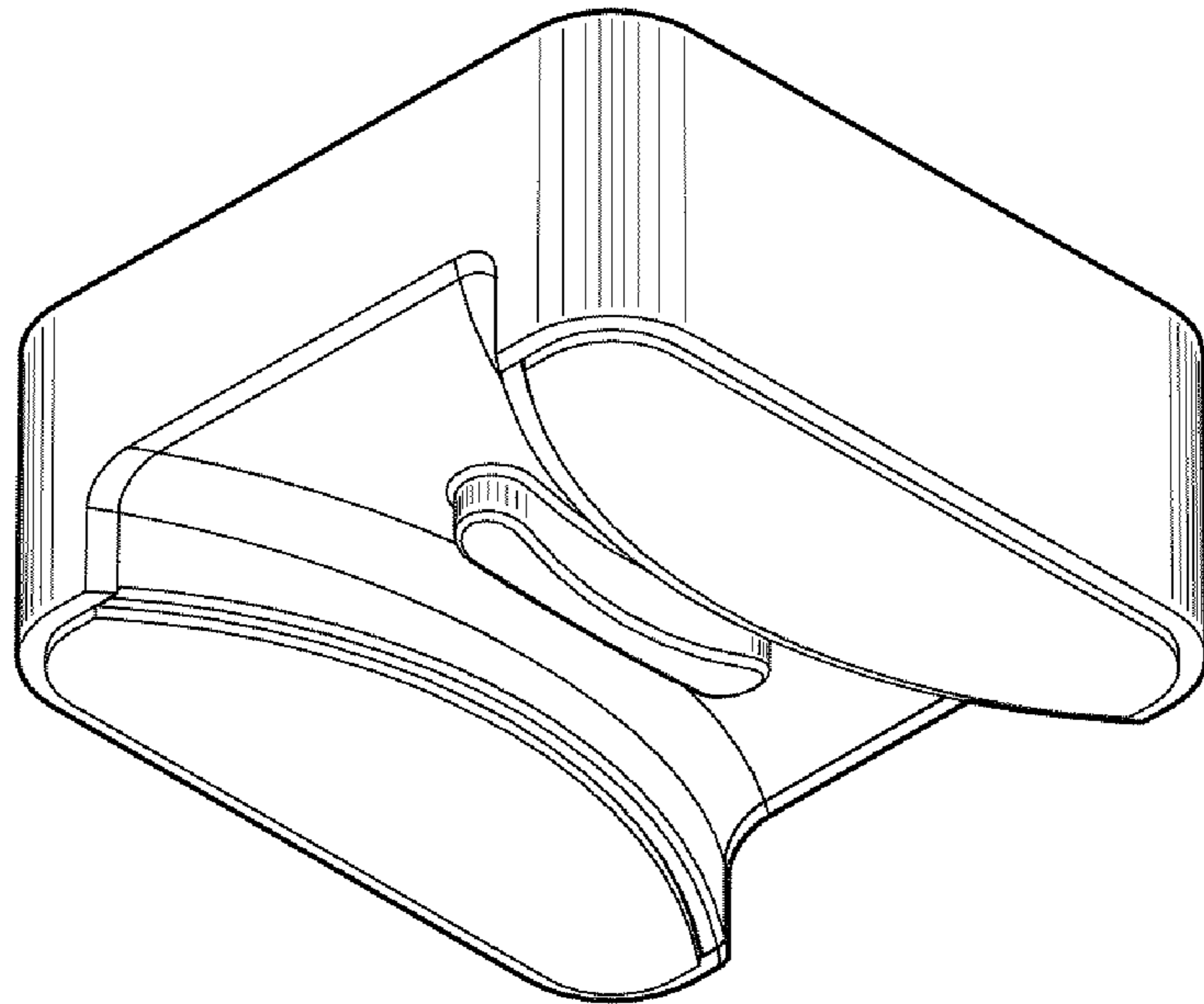


FIG. 2

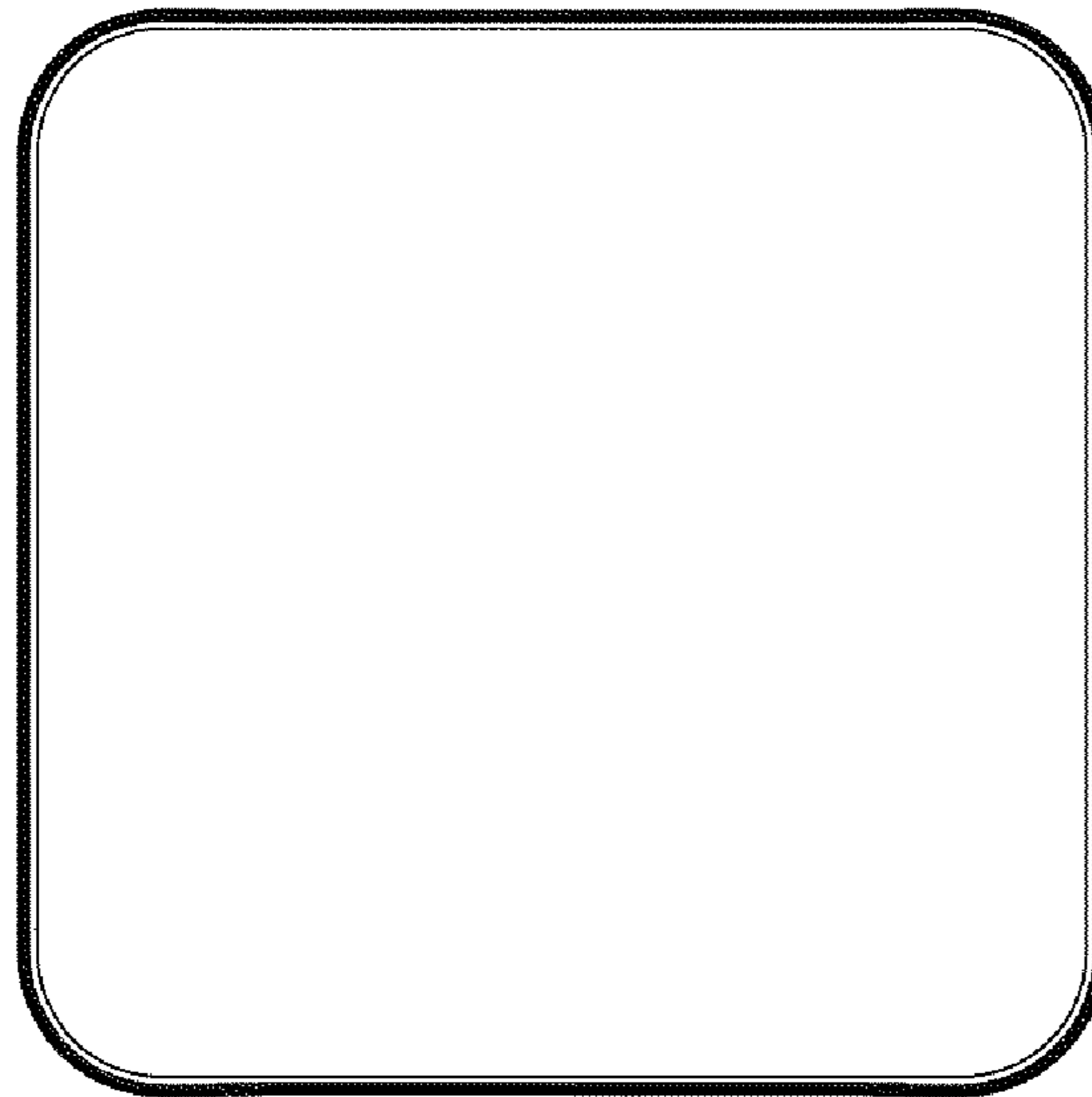


FIG. 3

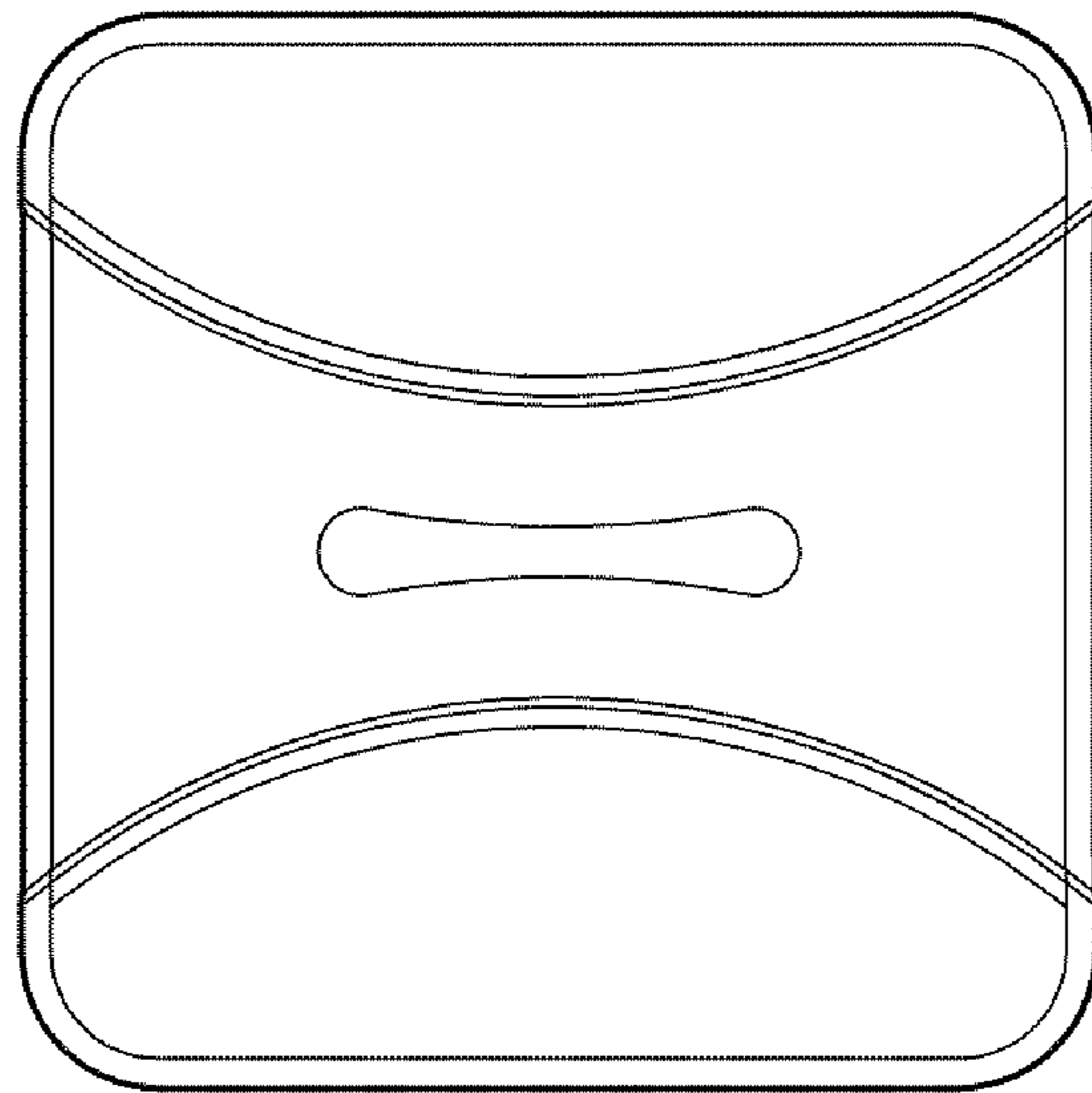


FIG. 4

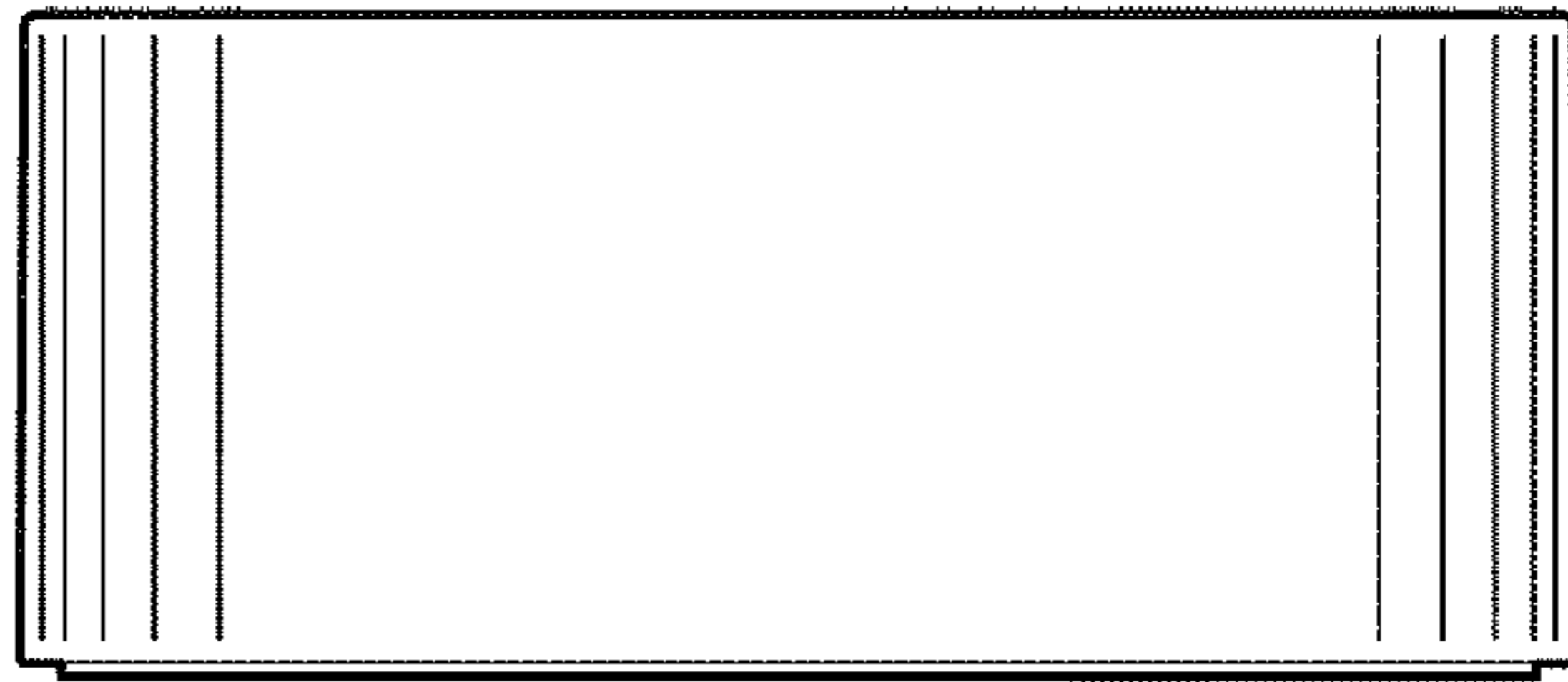


FIG. 5

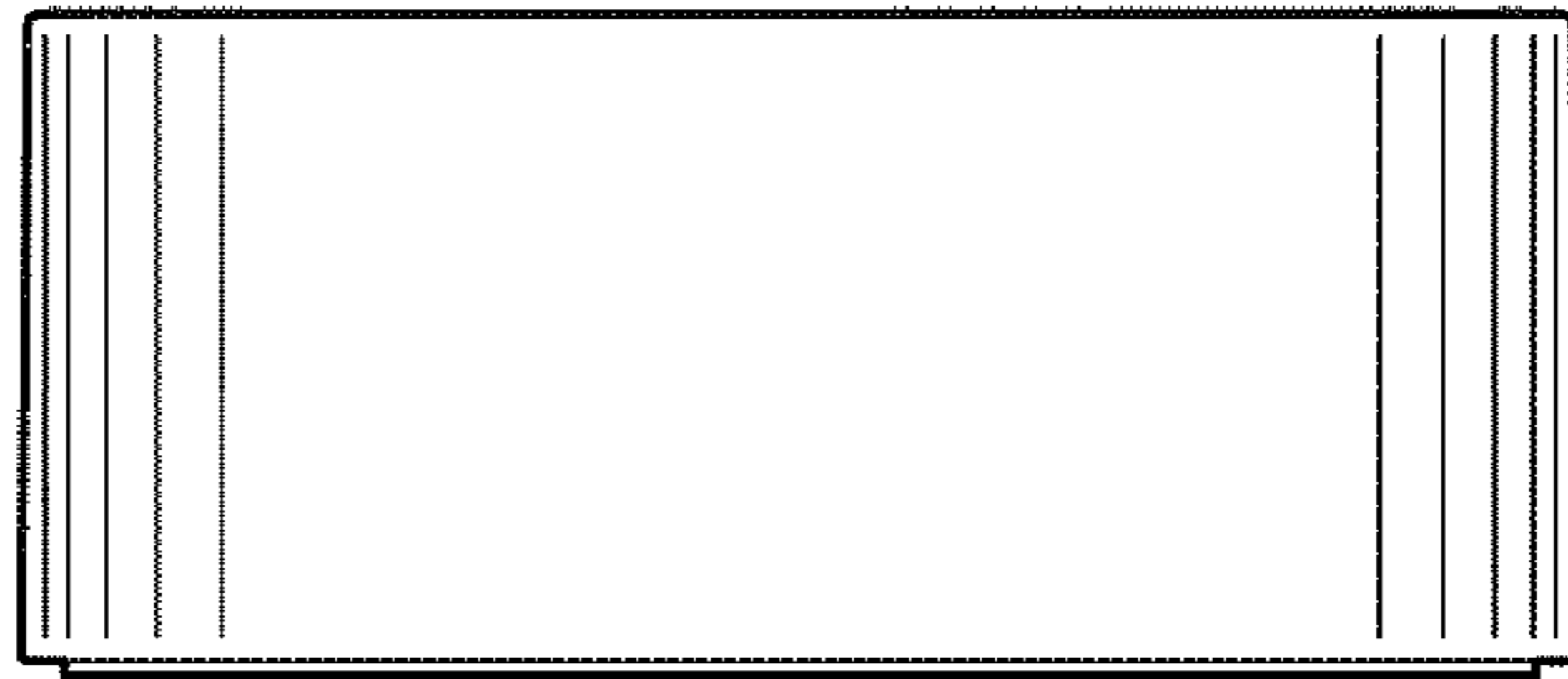


FIG. 6

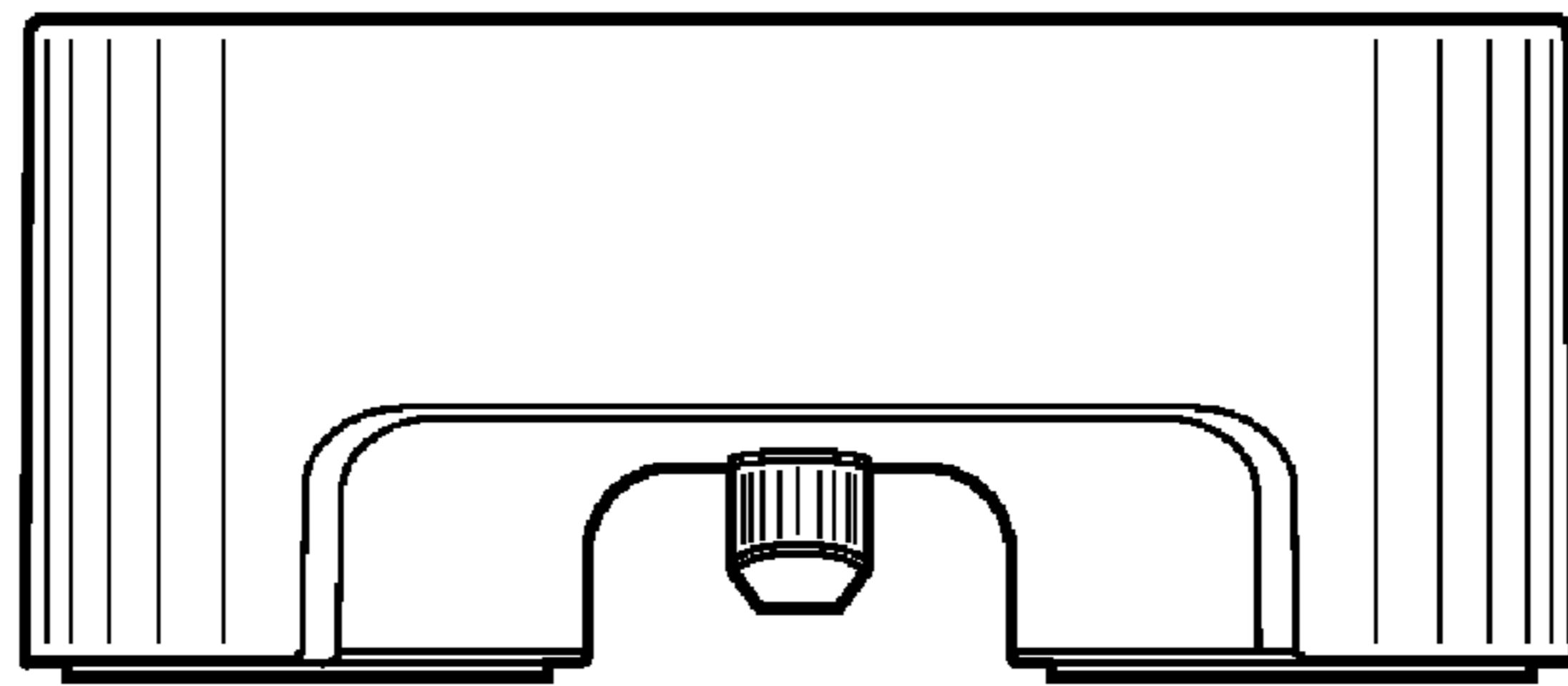


FIG. 7

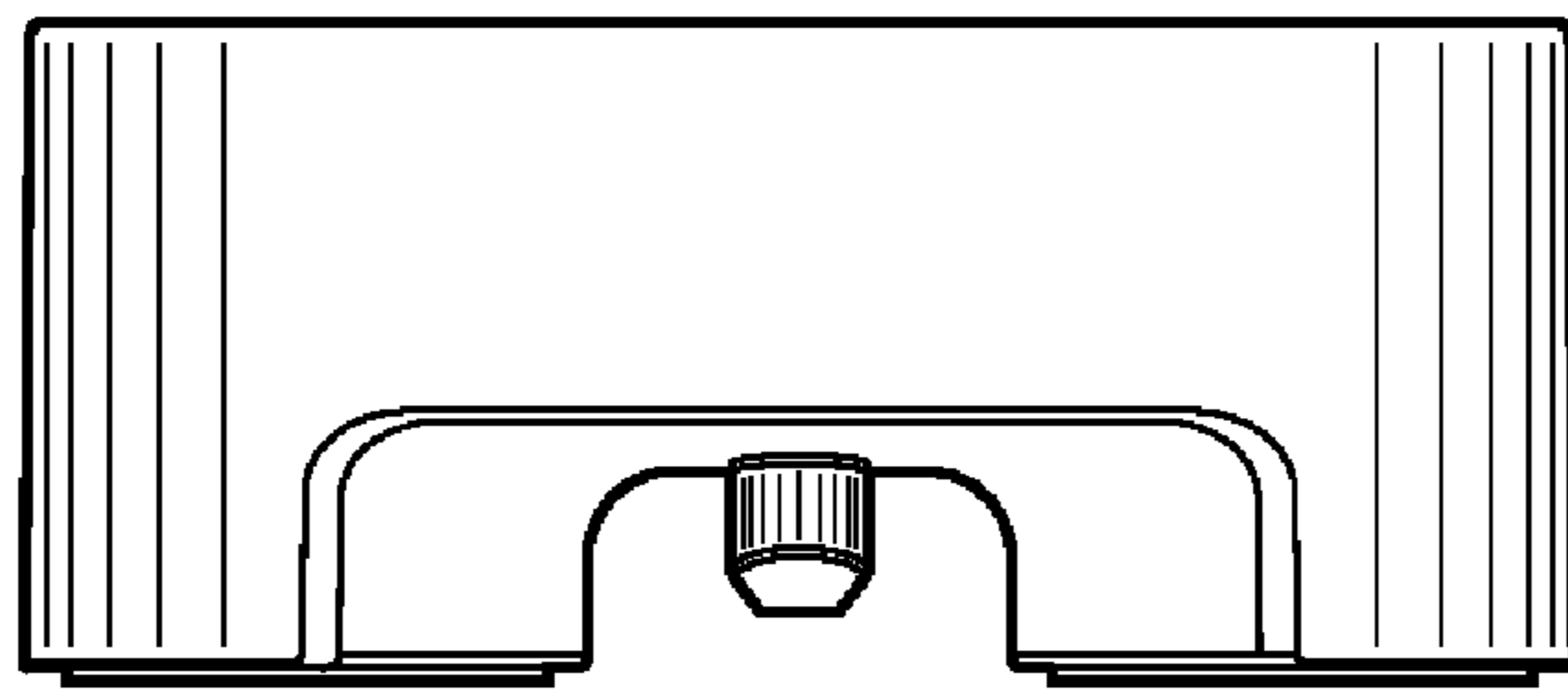


FIG. 8