

US00D649863S

(12) **United States Design Patent**
Meyer

(10) **Patent No.:** **US D649,863 S**

(45) **Date of Patent:** **** Dec. 6, 2011**

(54) **FLAT BRACKET**

(75) Inventor: **Ron Meyer**, Labadie, MO (US)

(73) Assignee: **Unique Metal Solutions, LLC**, Labadie, MO (US)

(**) Term: **14 Years**

(21) Appl. No.: **29/387,199**

(22) Filed: **Mar. 10, 2011**

(51) **LOC (9) Cl.** **08-05**

(52) **U.S. Cl.** **D8/354**

(58) **Field of Classification Search** D8/349,
D8/354, 363, 373, 380, 382, 39; D25/119,
D25/121.1, 124, 125, 136, 138; D13/155;
52/122.1, 204.5, 238.1–243.1, 285.2, 394,
52/395, 578–582.1, 584.1, 589.1; 248/220.1,
248/248, 300

See application file for complete search history.

(56) **References Cited**

U.S. PATENT DOCUMENTS

3,632,146	A *	1/1972	Buzby et al.	52/285.2
D223,082	S *	3/1972	Fromm	D8/354
D244,748	S *	6/1977	Canterbury	D8/380
D248,274	S *	6/1978	Kingston et al.	D8/354
4,149,694	A *	4/1979	Verini	248/539
4,199,907	A *	4/1980	Bains et al.	52/122.1
4,222,157	A *	9/1980	Forman	24/129 A
D259,242	S *	5/1981	Gilb	D8/373
4,299,068	A *	11/1981	Nielsen	52/204.53
D274,787	S *	7/1984	Cronce	D8/373
4,574,983	A *	3/1986	Fatkin	222/1
D285,047	S *	8/1986	Dean et al.	D8/382
D285,647	S *	9/1986	Sachs	D8/356
4,690,359	A *	9/1987	Phillips	248/300
D306,964	S *	4/1990	Zupancic	D8/354
4,949,929	A *	8/1990	Kesselman et al.	248/300
5,160,812	A *	11/1992	Takahashi et al.	174/135
D337,042	S *	7/1993	Lin et al.	D8/349
5,354,952	A *	10/1994	Hickey	174/503

D353,319	S *	12/1994	Eckert	D8/346
D357,405	S *	4/1995	Philippi	D8/373
D399,125	S *	10/1998	Blanchard	D8/354
D400,080	S *	10/1998	Beard, Jr.	D8/354
D408,716	S *	4/1999	Vesledahl	D8/354
D416,470	S *	11/1999	Aldeghi	D8/354
D449,218	S *	10/2001	Vrame	D8/354
6,561,473	B1 *	5/2003	Ianello	248/219.4
D486,724	S *	2/2004	Bently	D8/354
D490,559	S *	5/2004	Small	D26/138

(Continued)

OTHER PUBLICATIONS

Jun. 2009 Market Materials.

Primary Examiner — Mark Goodwin

(74) *Attorney, Agent, or Firm* — H. Frederick Rusche; Husch Blackwell LLP

(57) **CLAIM**

I claim the ornamental design for a flat bracket, as shown and described.

DESCRIPTION

FIG. 1 is a top perspective view of a bracket showing a first embodiment of the new design;

FIG. 2 is a top plan view thereof;

FIG. 3 is a bottom plan view thereof;

FIG. 4 is a front elevation view thereof;

FIG. 5 is a rear elevation view thereof;

FIG. 6 is a first side elevation view thereof; and

FIG. 7 is a second side elevation view thereof.

FIG. 8 is a top perspective view of a bracket showing a second embodiment of the new design;

FIG. 9 is a top plan view thereof;

FIG. 10 is a bottom plan view thereof;

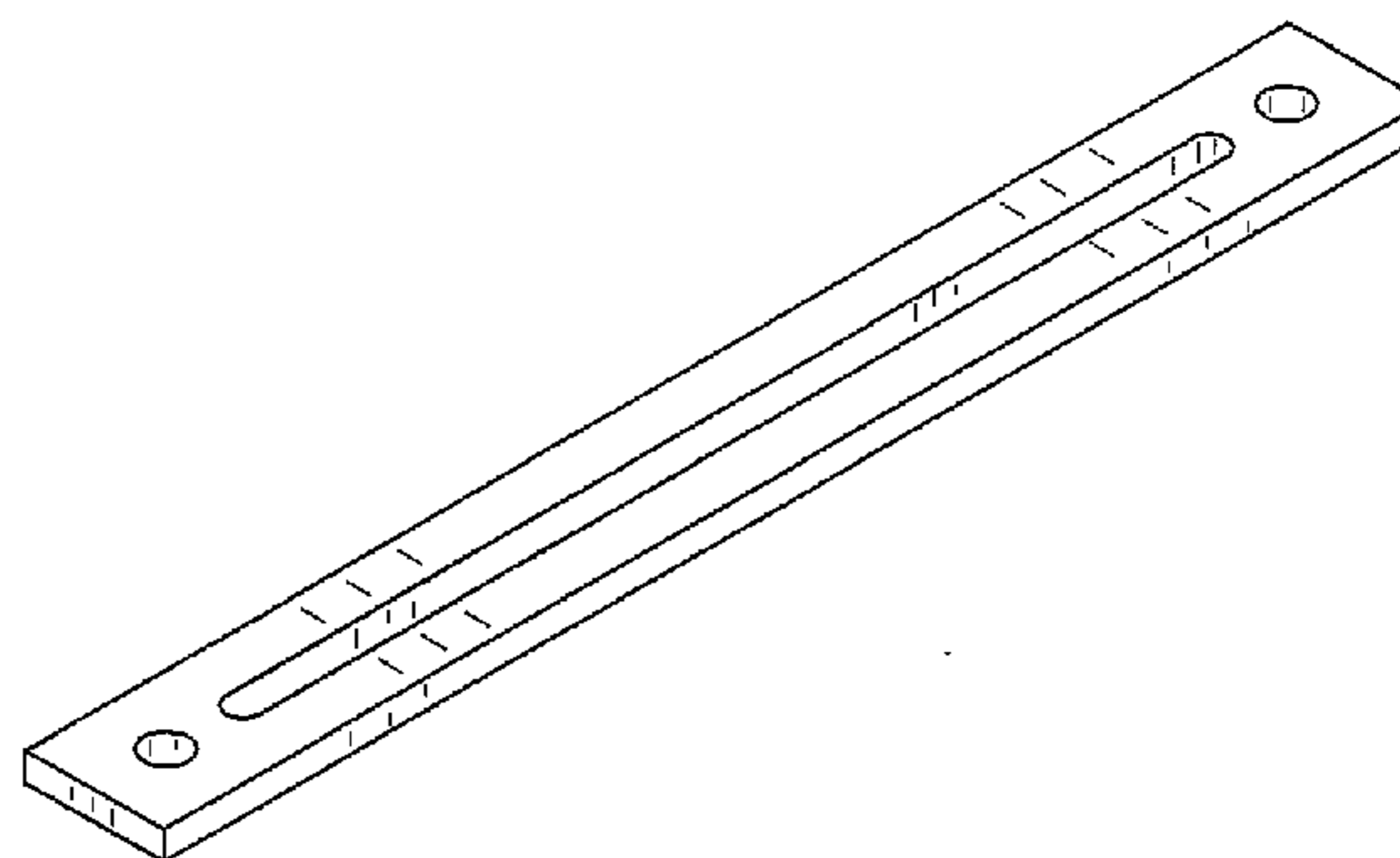
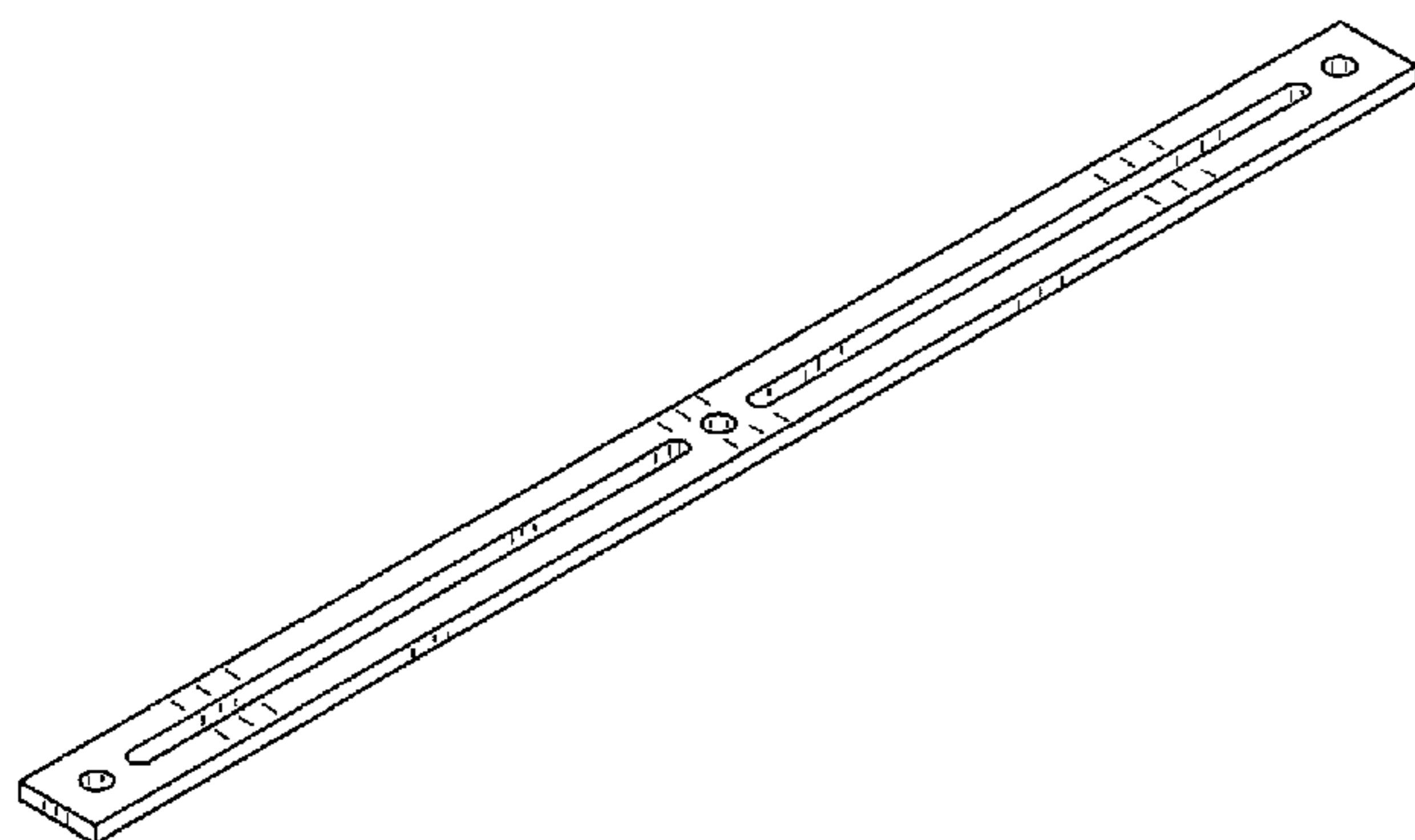
FIG. 11 is a front elevation view thereof;

FIG. 12 is a rear elevation view thereof;

FIG. 13 is a first side elevation view thereof; and,

FIG. 14 is a second side elevation view thereof.

1 Claim, 4 Drawing Sheets



US D649,863 S

Page 2

U.S. PATENT DOCUMENTS

6,908,116	B2 *	6/2005	Chu et al.	285/39	D578,521	S *	10/2008	Sergi et al.	D14/238
D531,010	S *	10/2006	Vrame	D8/354	D583,221	S *	12/2008	Johnsen	D8/354
D534,905	S *	1/2007	Sergi	D14/238	D599,193	S	9/2009	Meyer	
D535,985	S *	1/2007	Sergi	D14/238	D599,194	S	9/2009	Meyer	
D538,630	S *	3/2007	Sergi	D8/354	D599,647	S *	9/2009	Cubides	D8/373
7,198,242	B1 *	4/2007	Bently	248/300	D603,689	S *	11/2009	Cubides	D8/373
D543,834	S *	6/2007	Worthy	D8/354	D605,930	S *	12/2009	Piersant	D8/381
D551,538	S *	9/2007	Pearce	D8/354	D608,183	S	1/2010	Meyer	
7,281,696	B2 *	10/2007	Kida et al.	248/300	D619,446	S *	7/2010	Reti	D8/354
D559,081	S *	1/2008	Myers	D8/354	D633,778	S *	3/2011	Wyse	D8/354
D571,640	S *	6/2008	Misch	D8/354	D638,694	S *	5/2011	Misch	D8/380

* cited by examiner

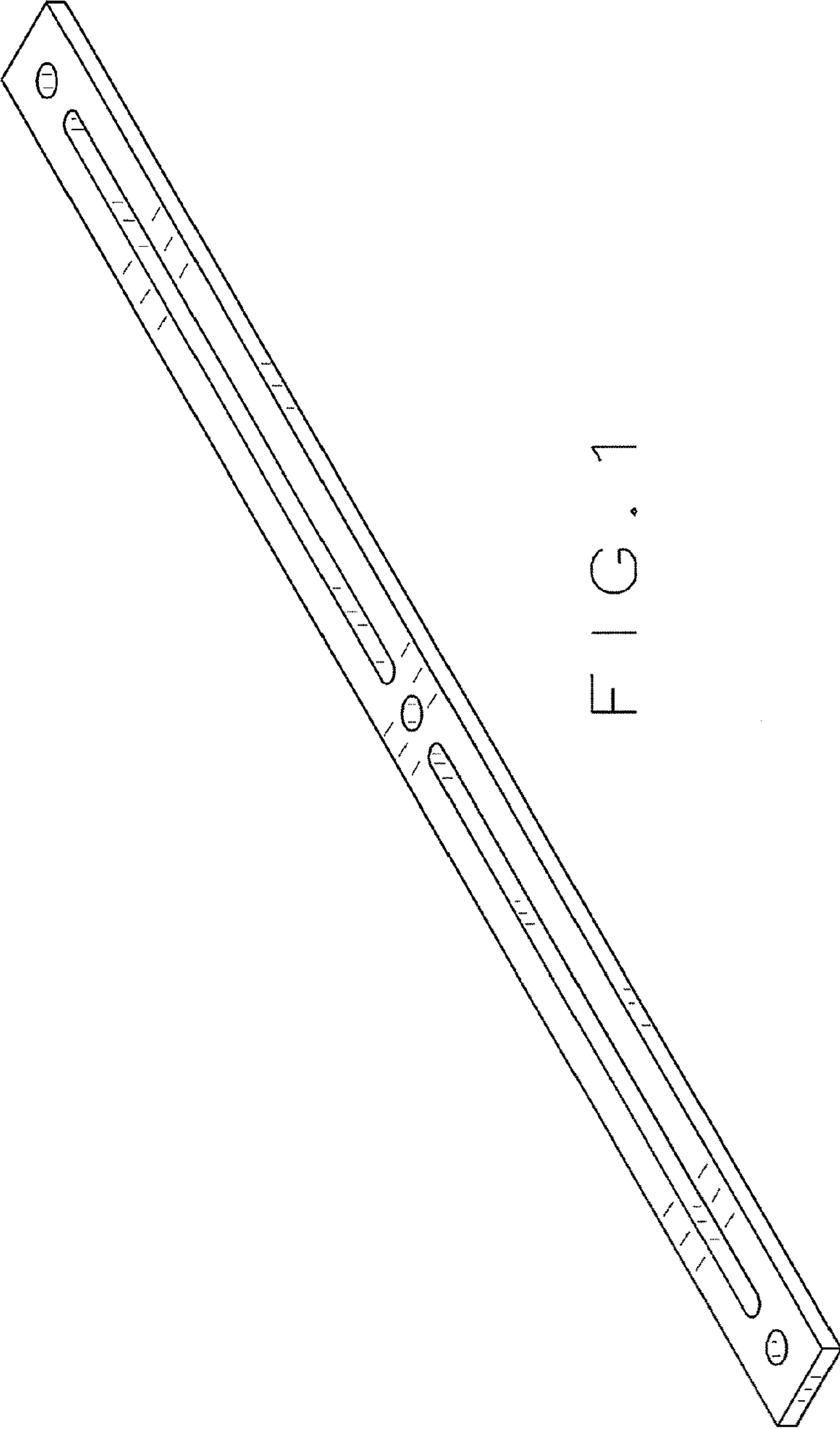


FIG. 1

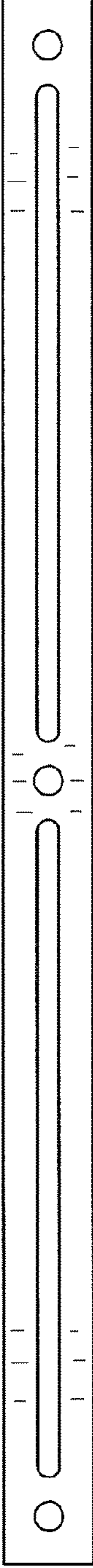


FIG. 2

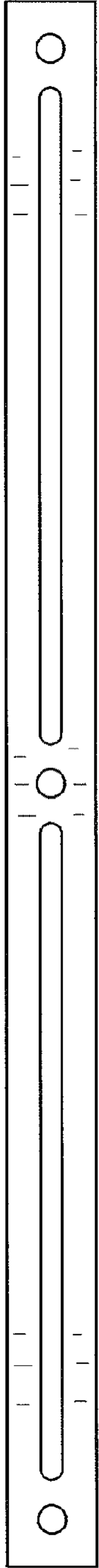


FIG. 3



FIG. 4



FIG. 5

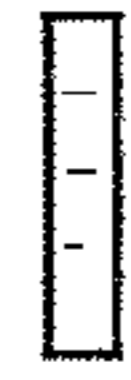


FIG. 6

FIG. 7

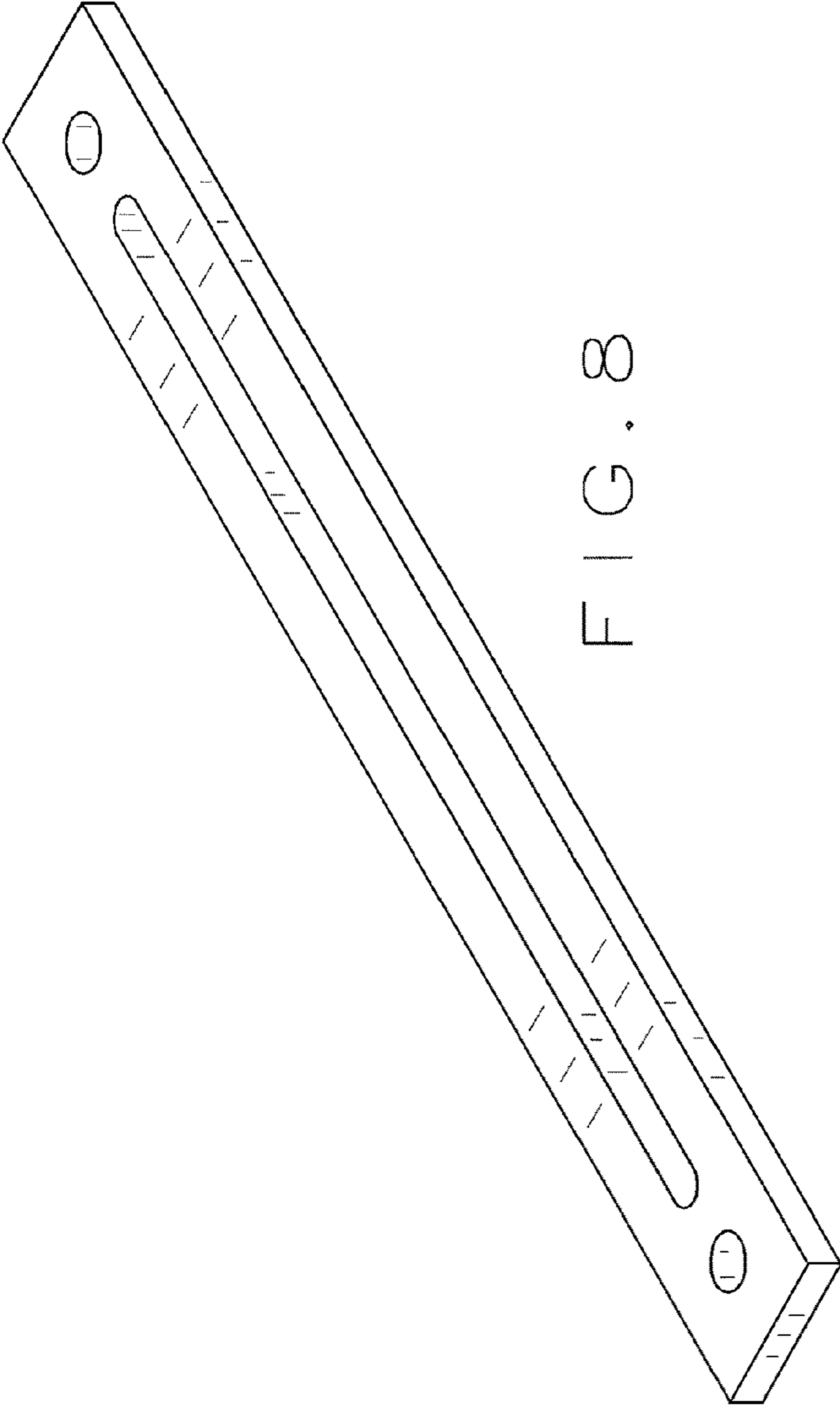


FIG. 8

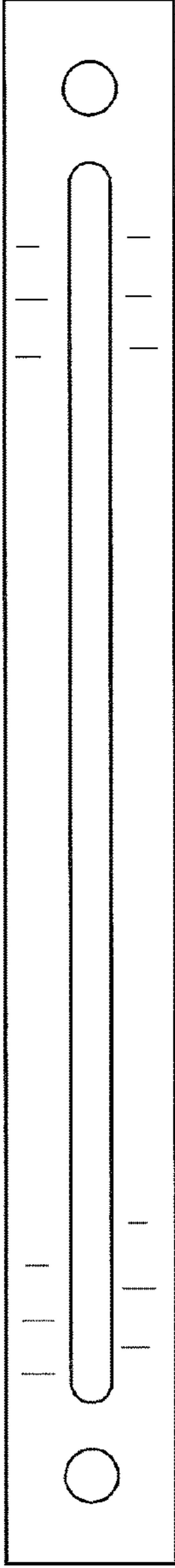


FIG. 9

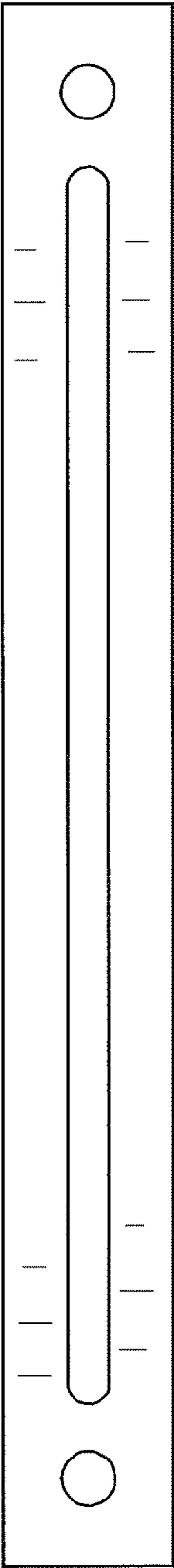


FIG. 10



FIG. 11



FIG. 12

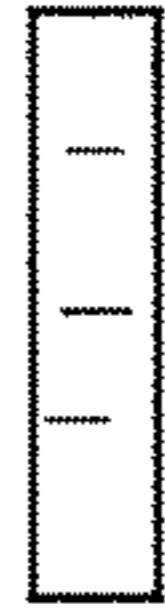


FIG. 13

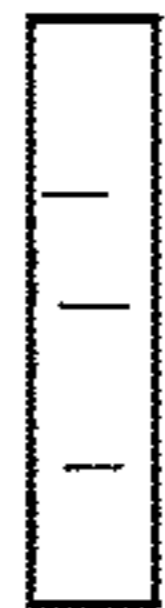


FIG. 14