



US00D649862S

(12) **United States Design Patent**  
**Arvinte et al.**

(10) **Patent No.:** **US D649,862 S**

(45) **Date of Patent:** **\*\* \*Dec. 6, 2011**

(54) **QUICK-LOCK FOR POLE HANDLE**

(75) Inventors: **Roméo Arvinte**, Laval-des-Rapides (CA); **François Panfili**, Berthierville (CA)

(73) Assignee: **A. Richard Tools Co./Outils A. Richard Co.**, Berthierville, Quebec (CA)

(\*) Notice: This patent is subject to a terminal disclaimer.

(\*\*) Term: **14 Years**

(21) Appl. No.: **29/376,035**

(22) Filed: **Sep. 30, 2010**

(30) **Foreign Application Priority Data**

Mar. 31, 2010 (CA) ..... 134797

(51) **LOC (9) Cl.** ..... **08-07**

(52) **U.S. Cl.** ..... **D8/339; D8/382**

(58) **Field of Classification Search** ..... D8/330, D8/331, 341, 342, 339, 343, 382; 70/19, 70/51, 52, 58, 141, 164, 165; 292/256, 262, 292/288, 305, 306; 403/83, 85, 326; 15/144.3, 15/144.4; D4/189, 199

See application file for complete search history.

(56) **References Cited**

**U.S. PATENT DOCUMENTS**

3,596,946	A	8/1971	Burton et al.	
3,667,788	A	6/1972	Greenwood	
4,154,545	A	5/1979	Pinto et al.	
4,585,367	A	4/1986	Gall	
D349,839	S *	8/1994	Gilardelli	D8/331
D354,554	S *	1/1995	Newman et al.	D23/266
5,417,511	A *	5/1995	Warden	403/109.5
5,460,458	A *	10/1995	Caceres	403/109.5
5,549,407	A *	8/1996	Levi et al.	403/109.5
5,579,558	A *	12/1996	Newman et al.	16/429
5,692,856	A	12/1997	Newman, Jr. et al.	
5,694,695	A	12/1997	Lund	

5,791,805	A	8/1998	Lynch et al.	
D430,482	S *	9/2000	Stout, Jr.	D8/382
6,168,212	B1	1/2001	Finley	
6,254,303	B1	7/2001	Falat et al.	
D452,777	S *	1/2002	Newman et al.	D4/138
6,461,074	B2	10/2002	Taylor	
6,749,227	B2 *	6/2004	Margid	280/823
6,874,201	B2	4/2005	Ta et al.	
6,908,249	B2 *	6/2005	Tomm	403/109.1
D524,633	S *	7/2006	Robert et al.	D8/339

(Continued)

*Primary Examiner* — Prabhakar Deshmukh

(74) *Attorney, Agent, or Firm* — Merchant & Gould P.C.

(57) **CLAIM**

The ornamental design for a quick-lock for pole handle, as shown and described.

**DESCRIPTION**

FIG. 1 is a perspective view of a first embodiment of a quick-lock for pole handle showing our new design.

FIG. 2 is a right side elevational view thereof.

FIG. 3 is a left side elevational view thereof.

FIG. 4 is a top plan view thereof.

FIG. 5 is a bottom plan view thereof.

FIG. 6 is a perspective view of the quick-lock for pole handle shown in FIG. 1, with the quick-lock for pole handle in a retracted configuration.

FIG. 7 is a perspective view of a second embodiment of a quick-lock for pole handle showing our new design.

FIG. 8 is a right side elevational view thereof.

FIG. 9 is a left side elevational view thereof.

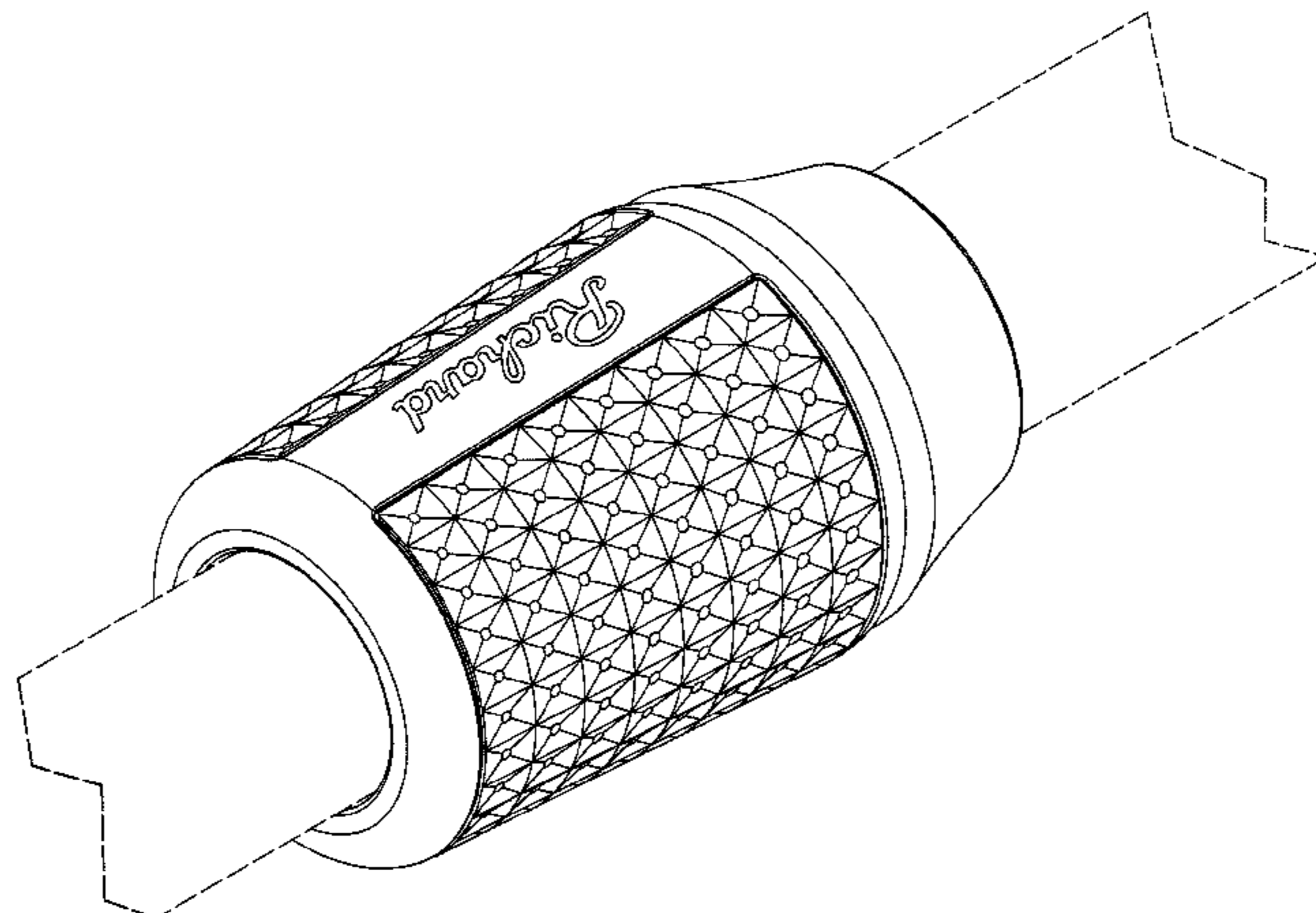
FIG. 10 is a top plan view thereof.

FIG. 11 is a bottom plan view thereof; and,

FIG. 12 is a perspective view of the quick-lock for pole handle shown in FIG. 7, with the quick-lock for pole handle in a retracted configuration.

The broken lines in the drawings are for the purpose of illustrating portions of the pole handle and form no part of the claimed design.

**1 Claim, 12 Drawing Sheets**



# US D649,862 S

Page 2

---

## U.S. PATENT DOCUMENTS

7,121,626	B2 *	10/2006	Akehi et al. ....	297/410	7,721,391	B2	5/2010	Bukovitz et al.
D538,133	S *	3/2007	Richardson et al. ....	D8/339	2004/0128796	A1	7/2004	Ta et al.
7,302,745	B2	12/2007	Stahle		2006/0218752	A1	10/2006	Potempa
7,549,195	B2	6/2009	Bensussan et al.		2008/0276429	A1	11/2008	Bukovitz et al.
7,637,684	B2	12/2009	Tims et al.		2010/0048108	A1	2/2010	Stott

\* cited by examiner

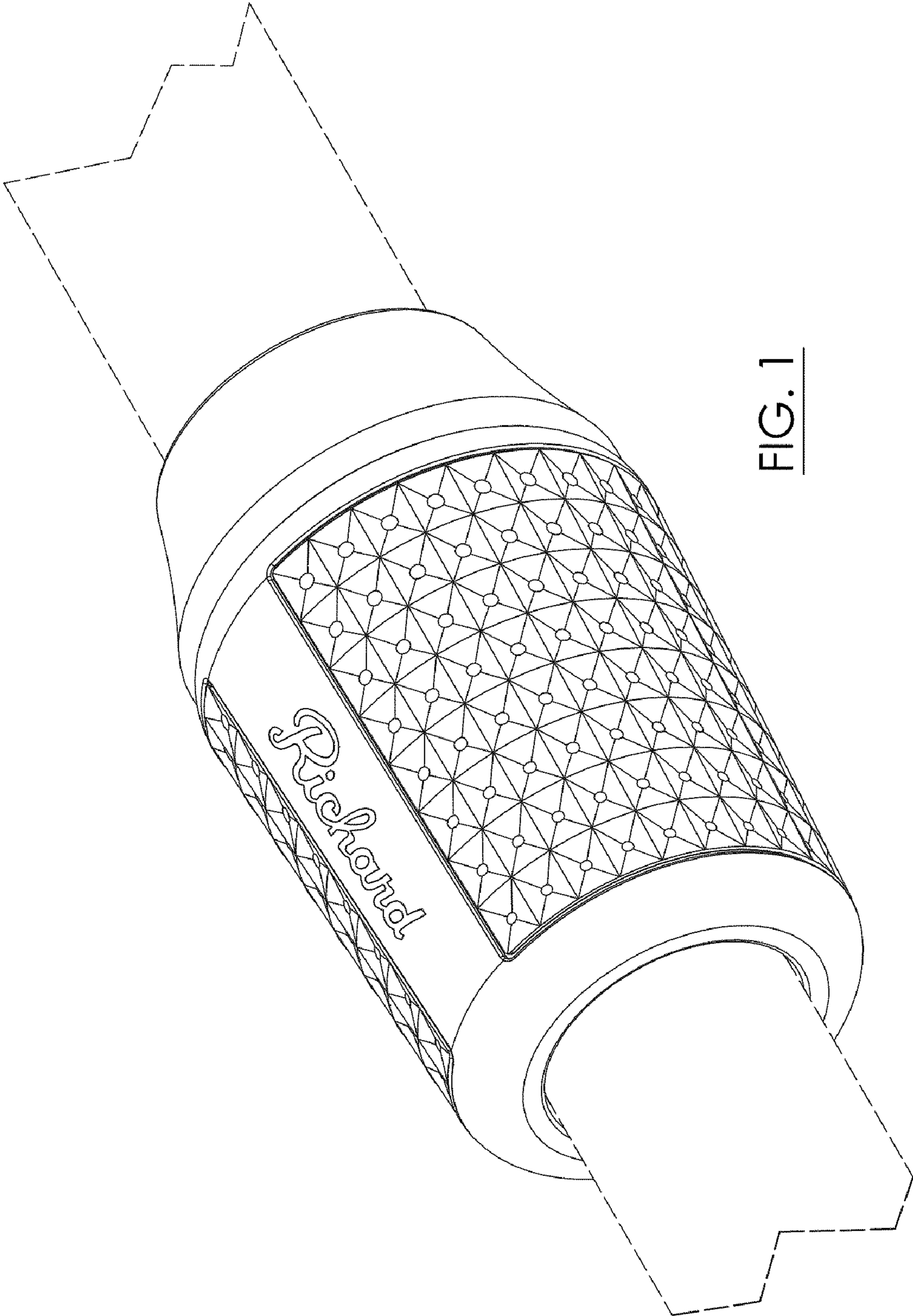


FIG. 1

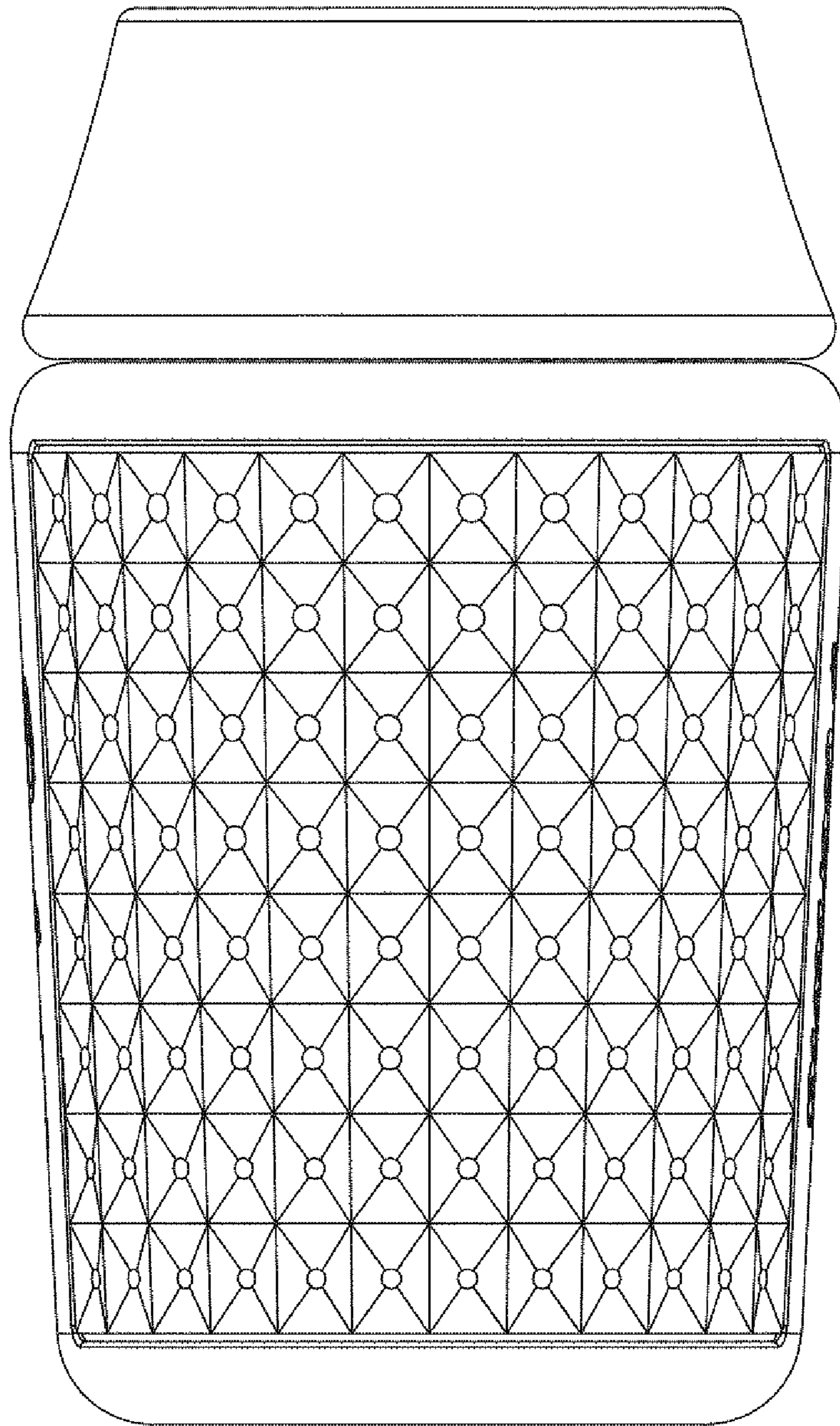


FIG. 2

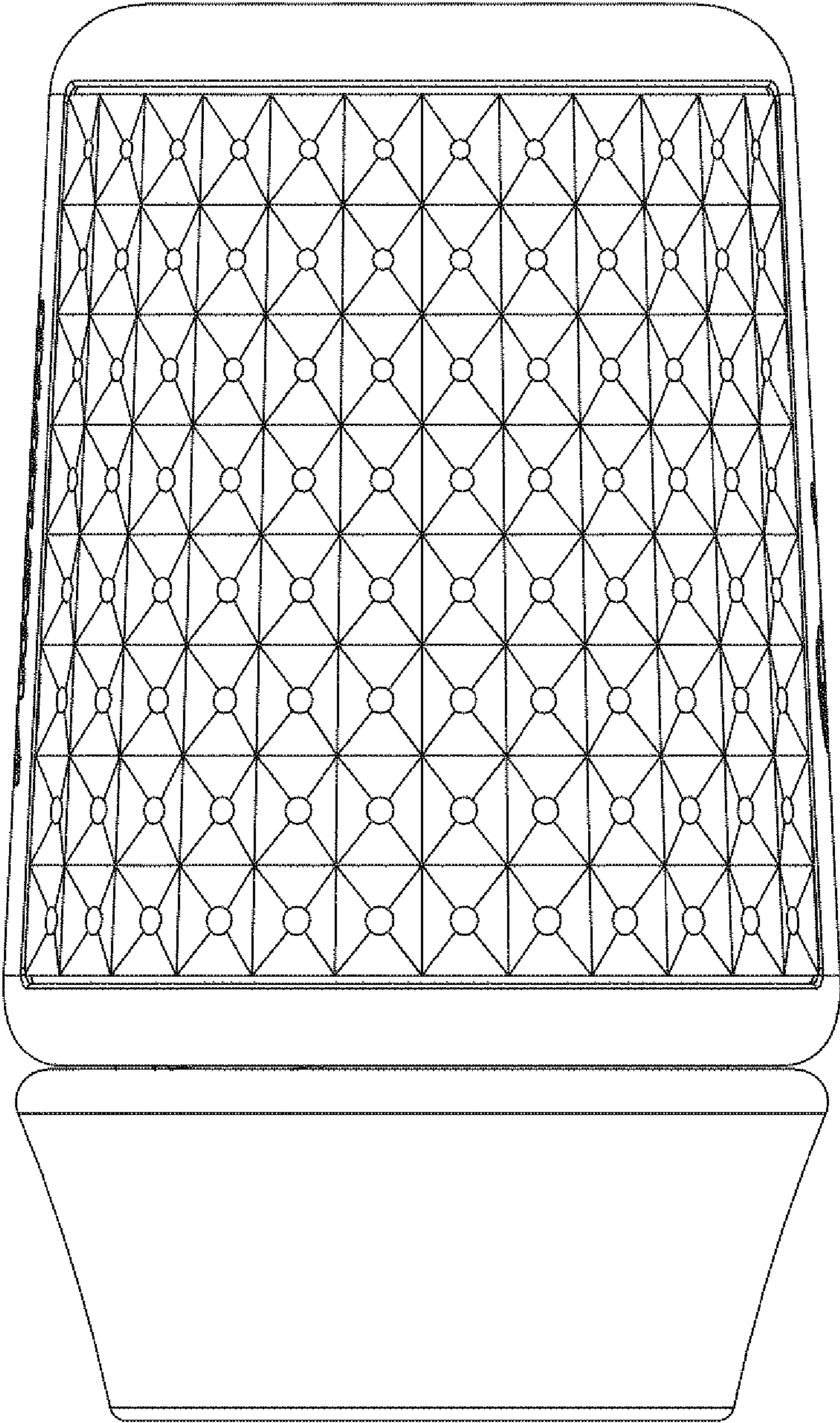


FIG. 3

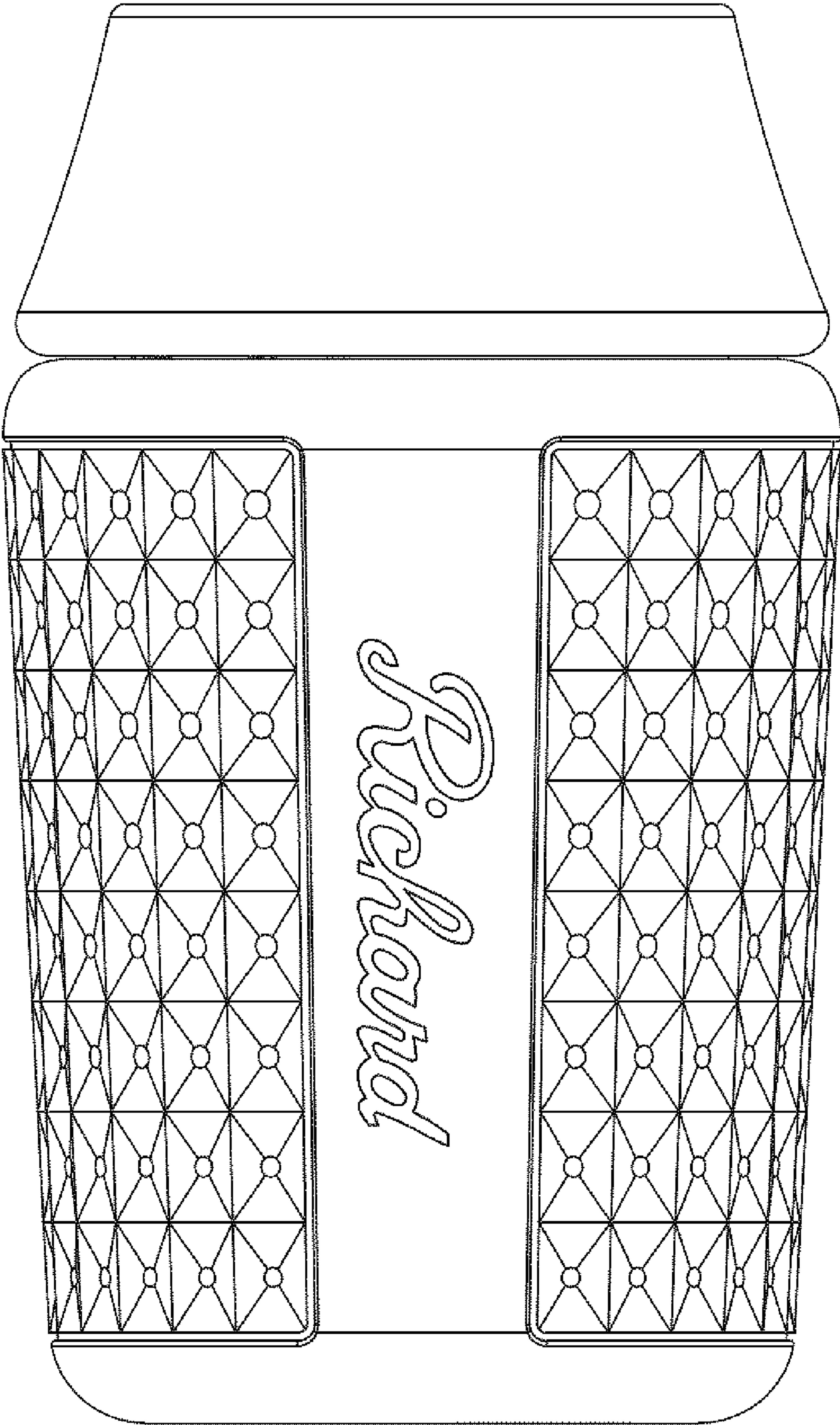


FIG. 4

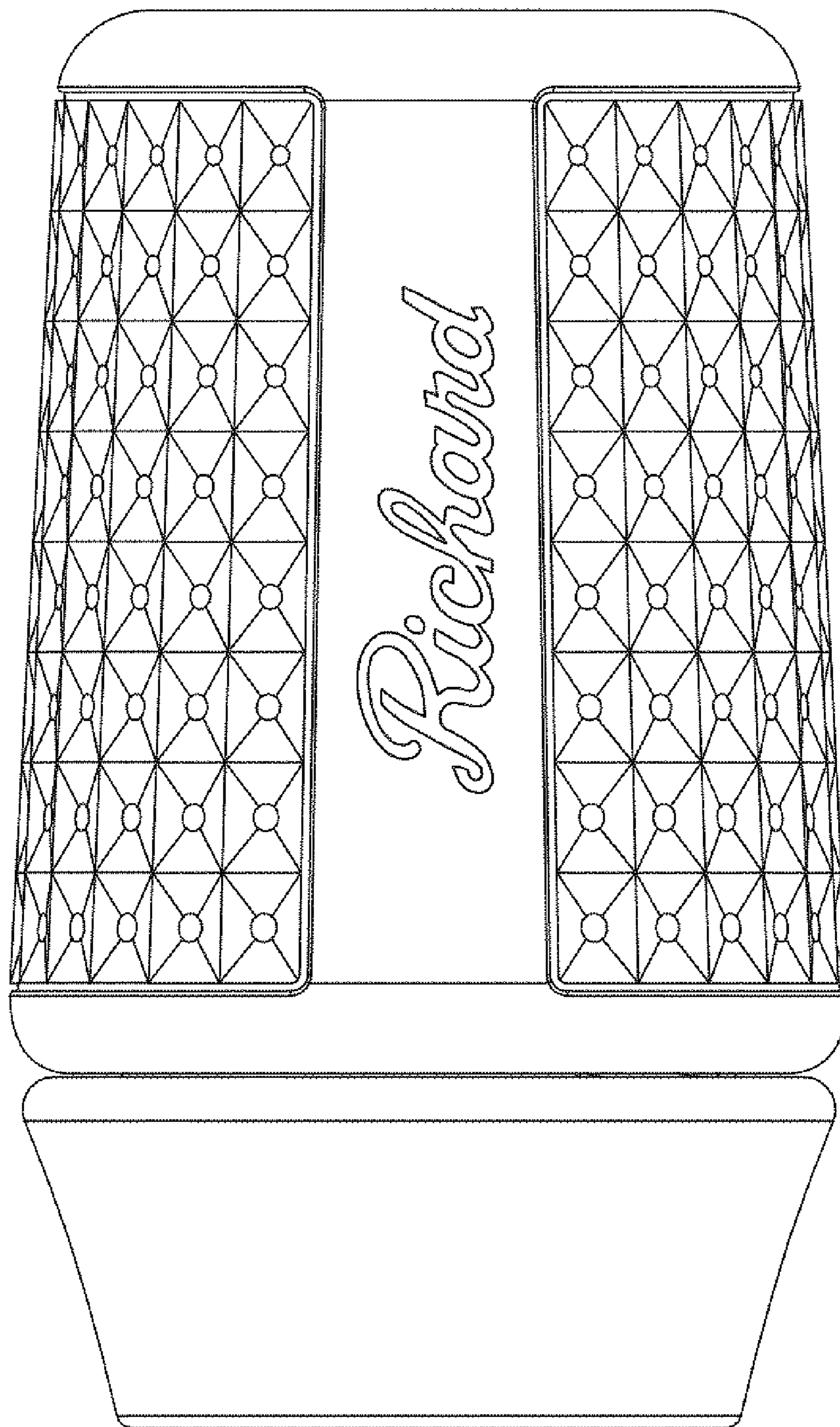


FIG. 5

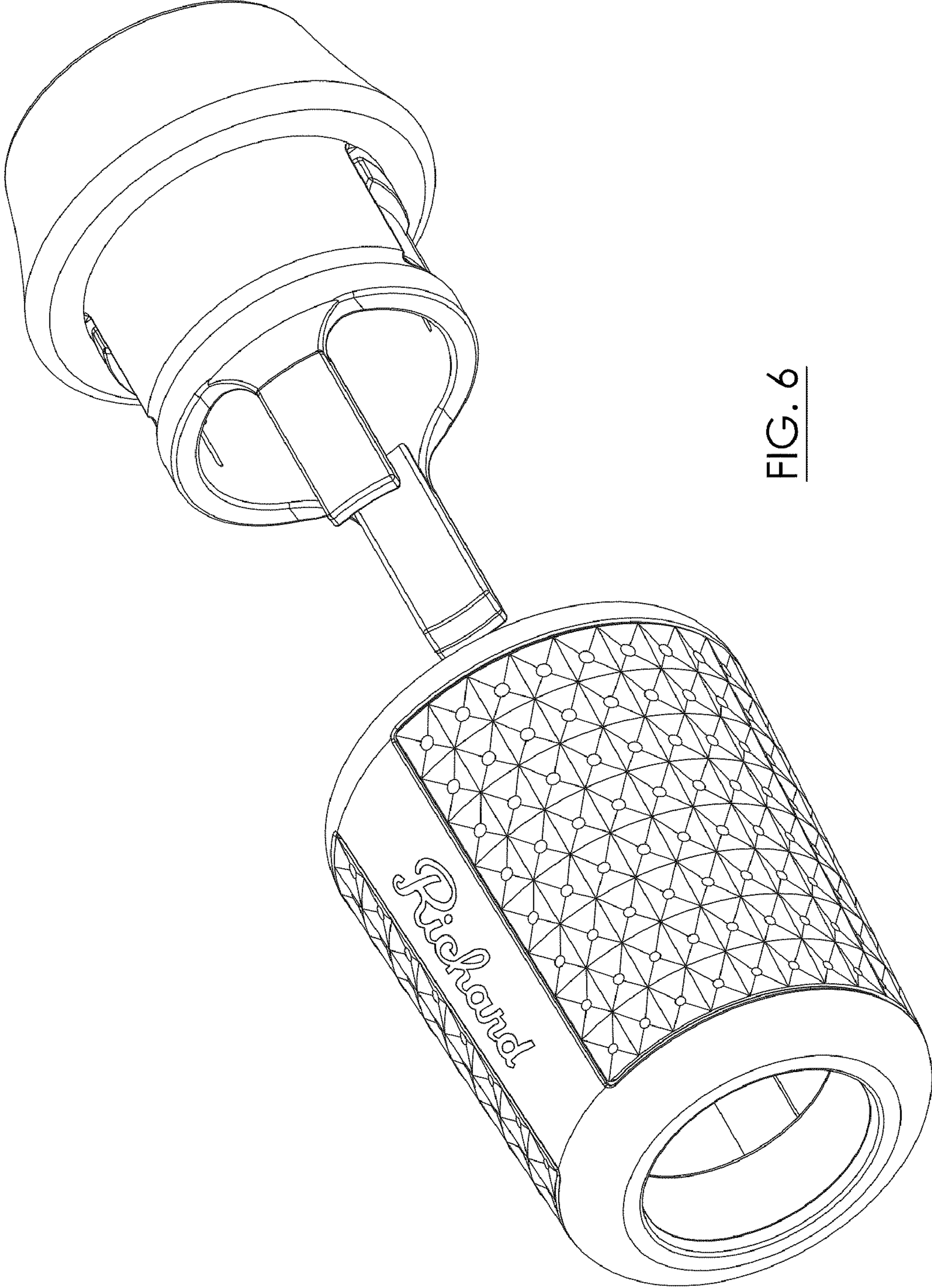


FIG. 6



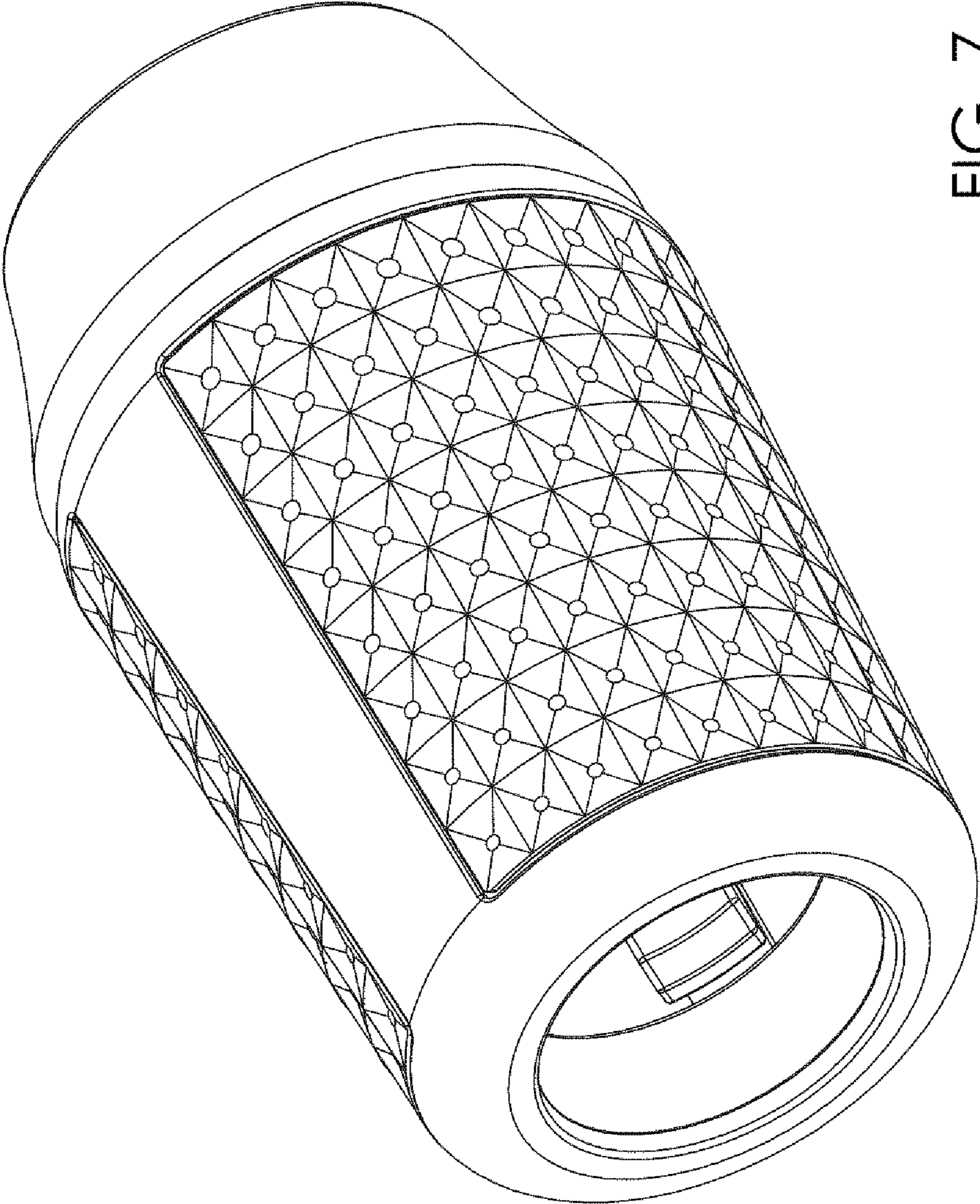


FIG. 7

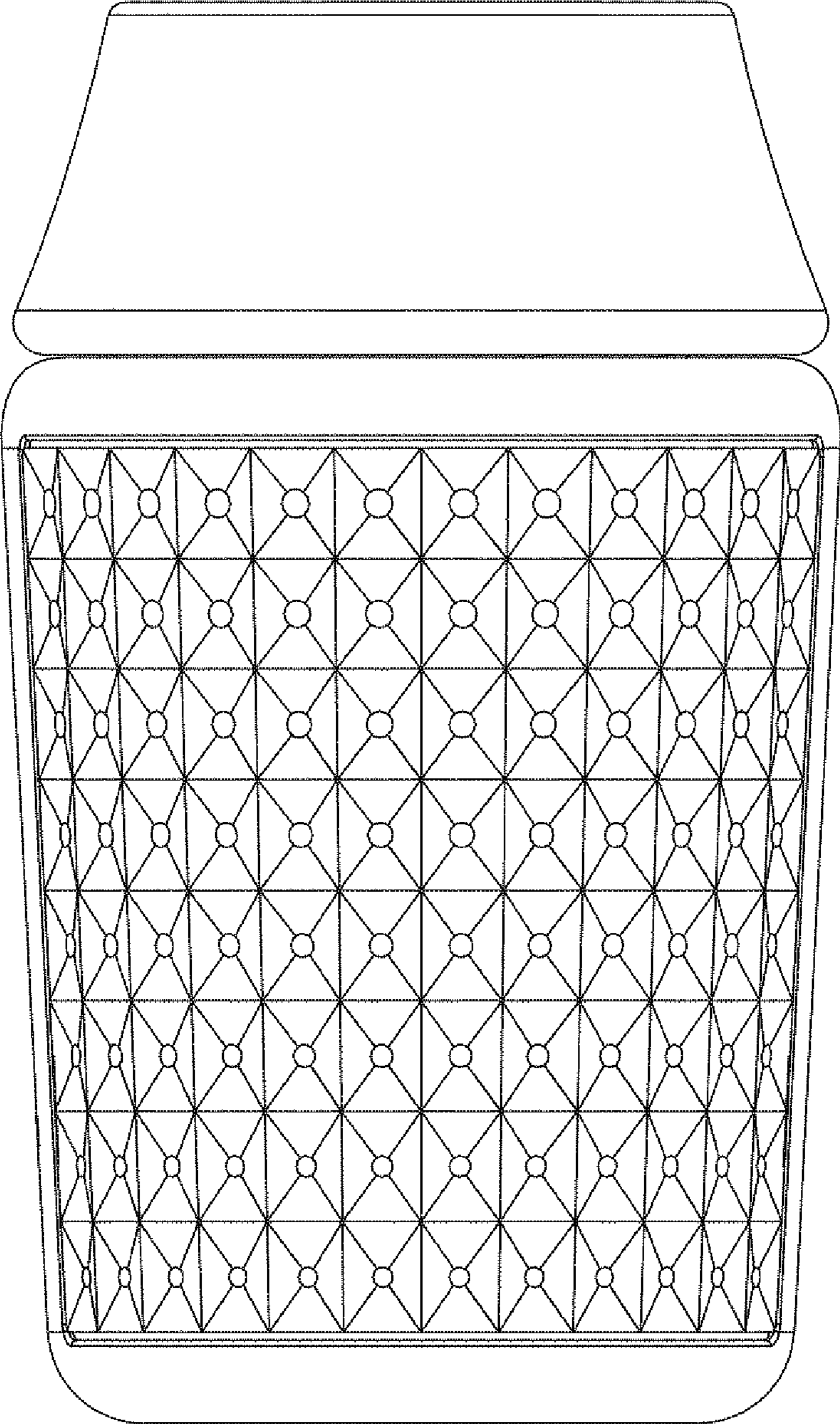


FIG. 8

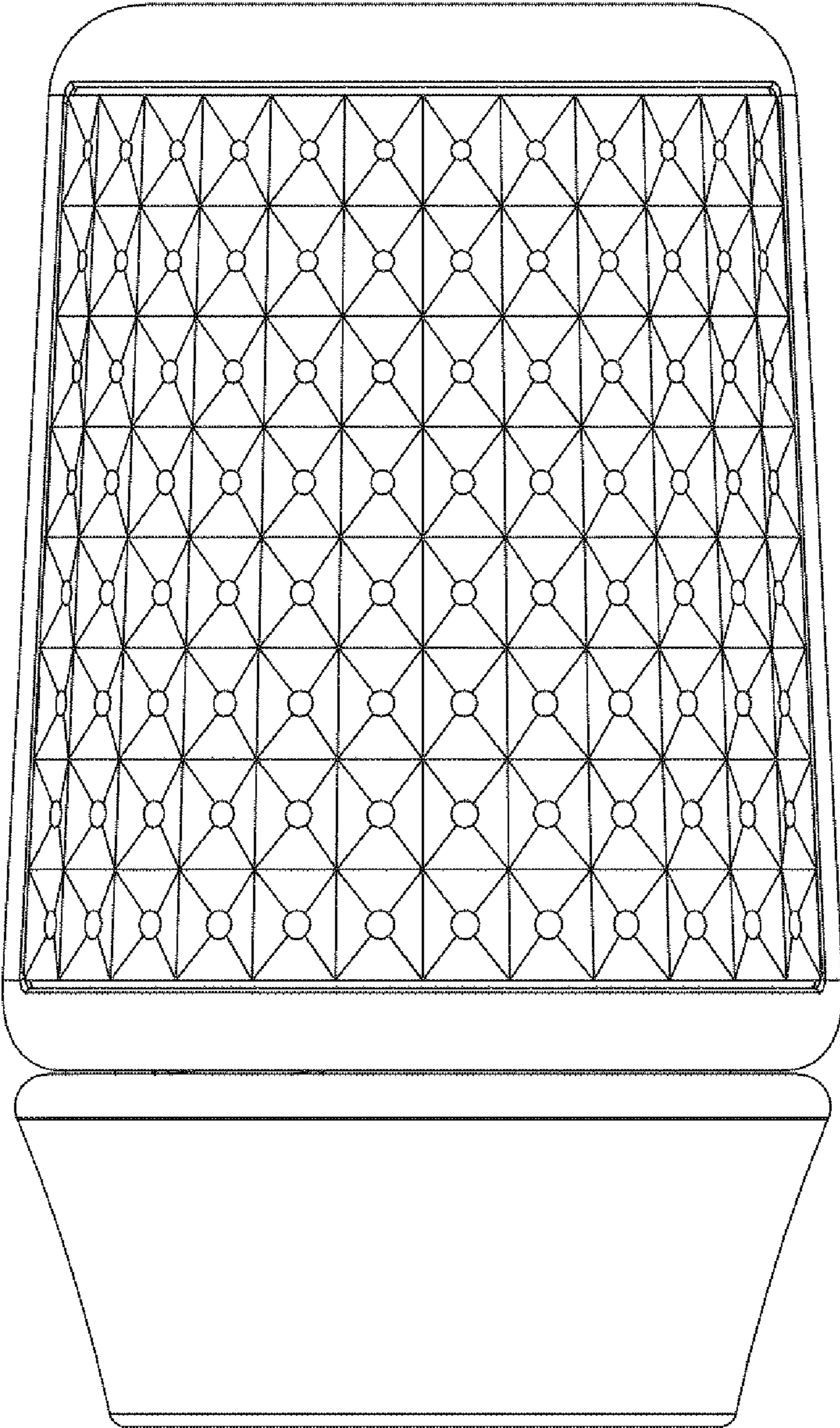


FIG. 9

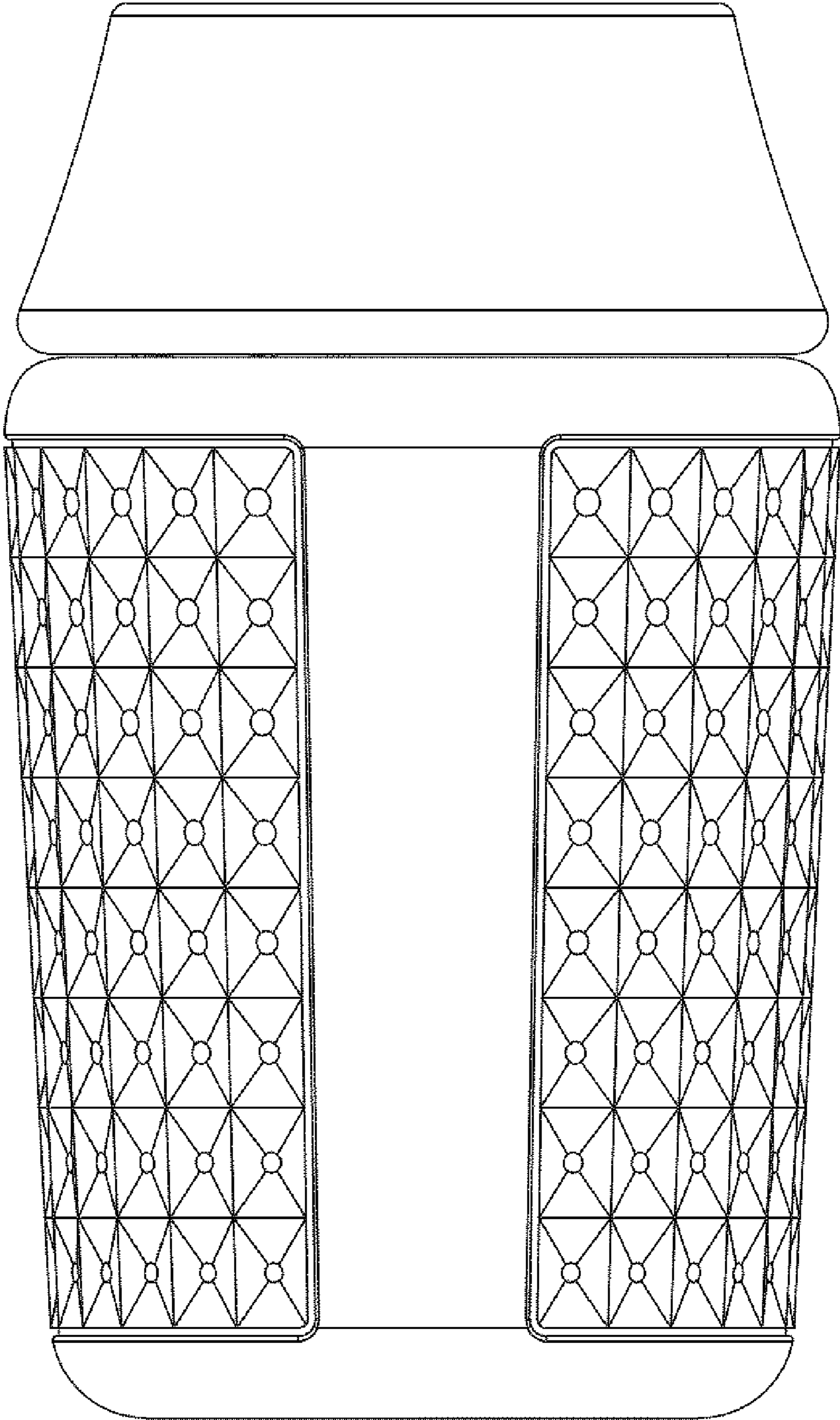


FIG. 10

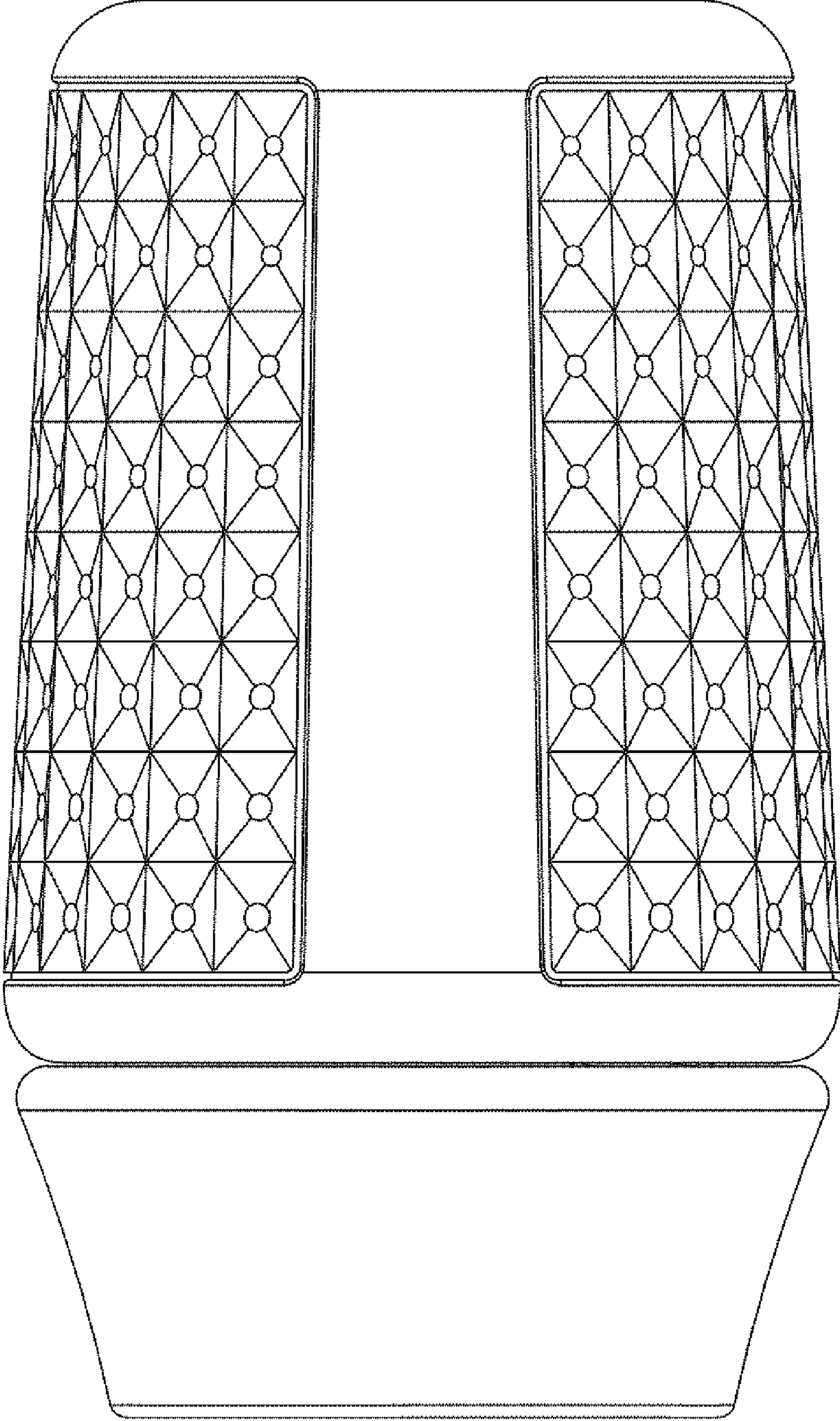


FIG. 11

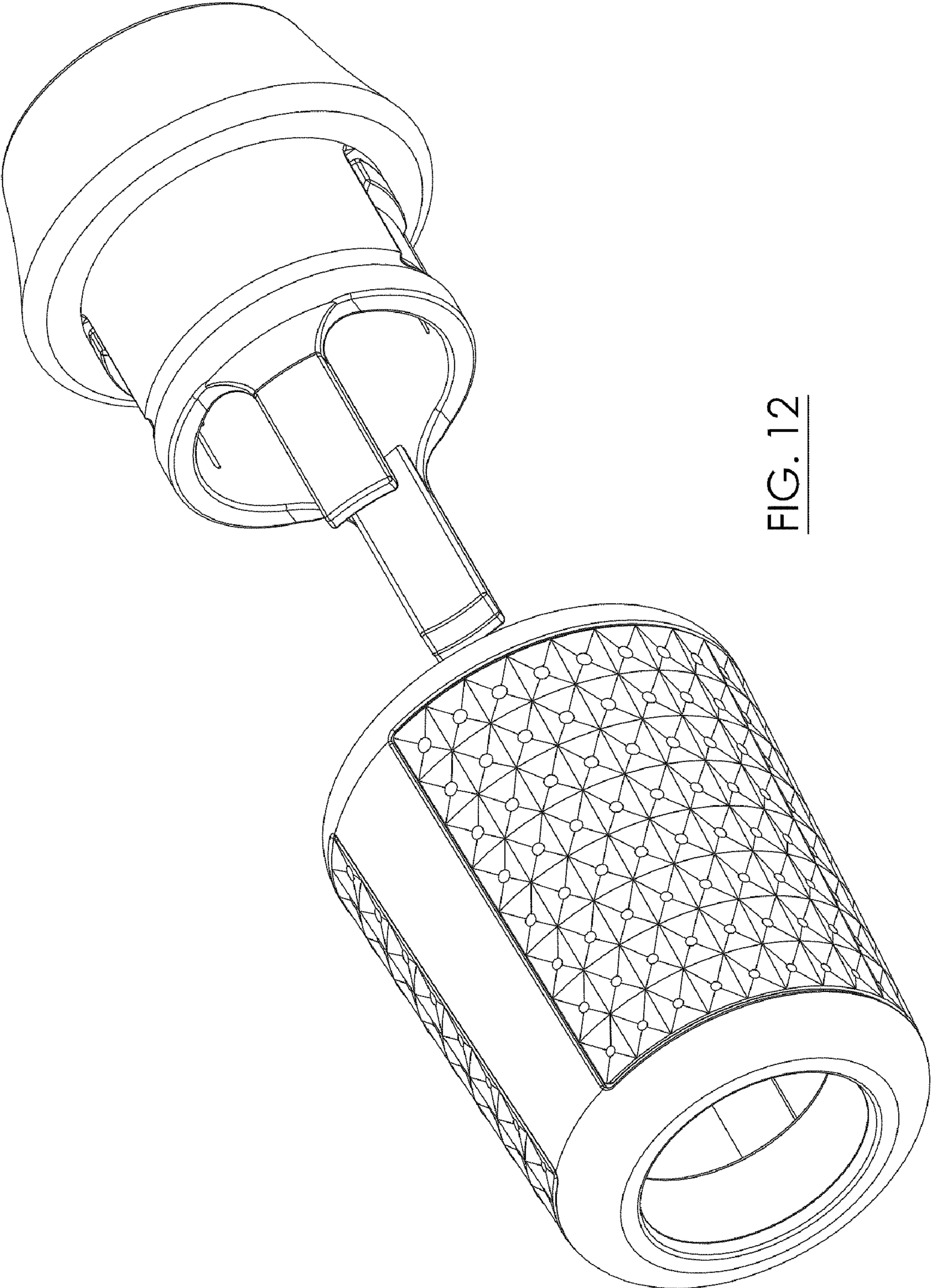


FIG. 12