



US00D649861S

(12) **United States Design Patent**
Mitchell et al.

(10) **Patent No.:** **US D649,861 S**

(45) **Date of Patent:** **** Dec. 6, 2011**

(54) **DOOR LATCH**

(75) Inventors: **Brett A Mitchell**, Newnan, GA (US);
Thomas A. Thorsen, Wedowee, AL
(US)

(73) Assignee: **Kason Industries, Inc.**, Newnan, GA
(US)

(**) Term: **14 Years**

(21) Appl. No.: **29/378,439**

(22) Filed: **Nov. 4, 2010**

(51) **LOC (9) Cl.** **08-07**

(52) **U.S. Cl.** **D8/331**

(58) **Field of Classification Search** D8/330-303,
D8/331, 339, 341, 343; 70/14, 57, 57.1,
70/78, 141, 224, 237, DIG. 67; D12/400,
D12/190, 220

See application file for complete search history.

D391,141 S 2/1998 Finkelstein et al.
D423,902 S * 5/2000 Libby et al. D8/301
D453,100 S * 1/2002 Finkelstein et al. D8/302
D493,088 S * 7/2004 Kelly D8/302

OTHER PUBLICATIONS

Kason Industries, Inc. Walk-In Hardware Catalog downloaded from
<http://www.kasonind.com/index.php/catalogs/>; 2009 Copyright; pp.
B-4 through B-27.

Component Hardware Group, Inc. Walk-In Refrigeration Components Catalog downloaded from http://www.saniguard-online.com/downloads_files.php?catid=3; 2009 Copyright; pp. EE2-EE3, EE6 and EE9.

* cited by examiner

Primary Examiner — Prabhakar Deshmukh

(74) *Attorney, Agent, or Firm* — Baker Donelson; Dorian B. Kennedy

(57) **CLAIM**

The ornamental design for a door latch, as shown and described.

(56) **References Cited**

U.S. PATENT DOCUMENTS

2,256,447	A *	9/1941	Burke	292/223
D180,515	S	6/1957	Graves et al.		
2,854,268	A	9/1958	Graves et al.		
3,045,465	A *	7/1962	Larson	70/153
4,202,573	A *	5/1980	Berkowitz et al.	292/223
4,530,532	A *	7/1985	Fujiya	292/341.15
4,635,977	A *	1/1987	Yamada	292/92
4,704,882	A *	11/1987	Takasaki	70/215
D299,417	S *	1/1989	Takahashi	D8/302
D299,486	S *	1/1989	Takimoto	D8/341
D316,509	S	4/1991	Nolte		
D338,389	S	8/1993	Finkelstein et al.		

DESCRIPTION

FIG. 1 is a perspective view of our new design for a door latch;
FIG. 2 is a rear view thereof;
FIG. 3 is a front view thereof;
FIG. 4 is a top view thereof;
FIG. 5 is a bottom view thereof;
FIG. 6 is a left side view thereof; and,
FIG. 7 is a right side view thereof.

The broken lines indicate disclaimed portions of the design and form no part of the claimed design.

1 Claim, 3 Drawing Sheets

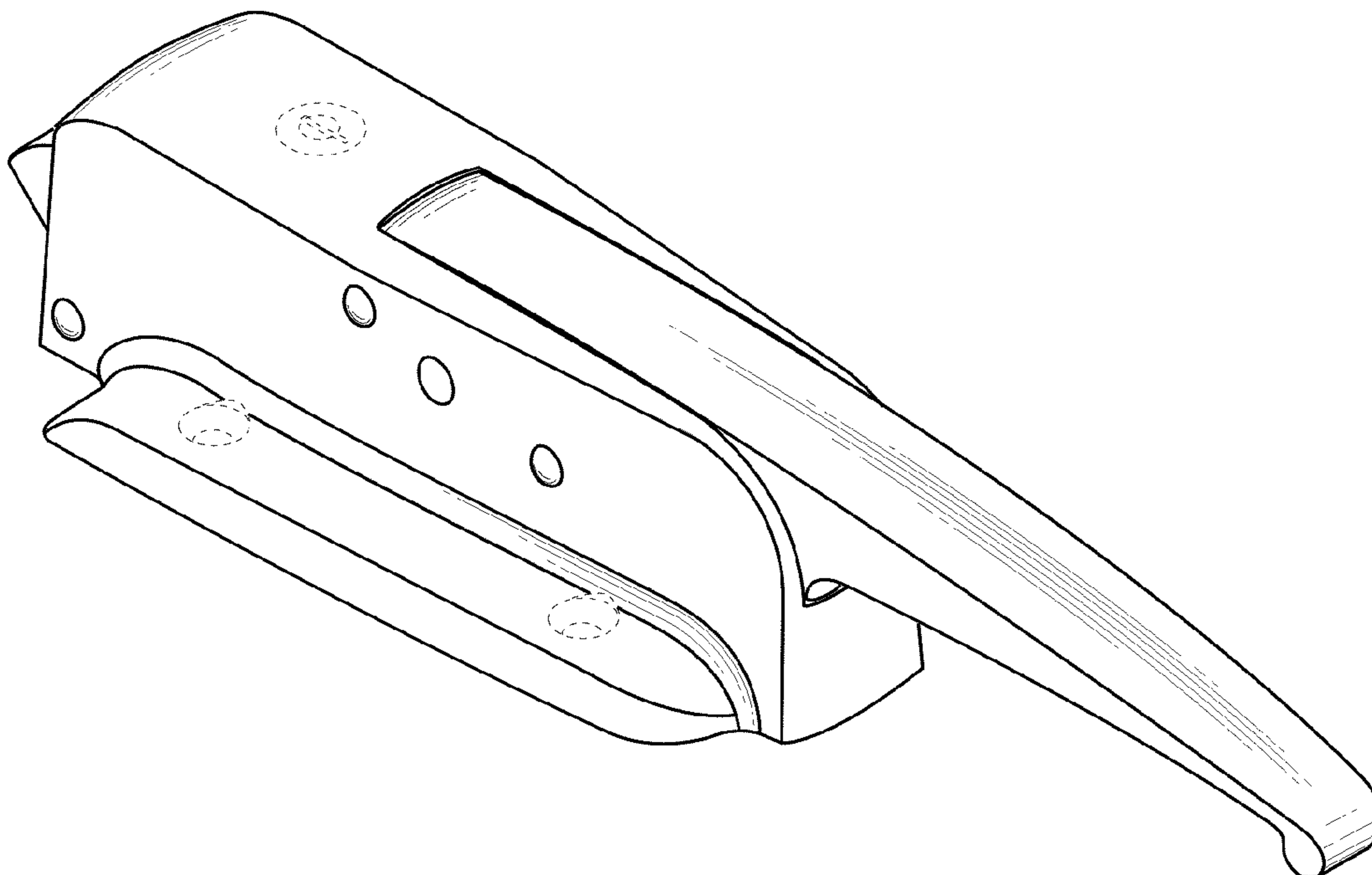


Fig. 1

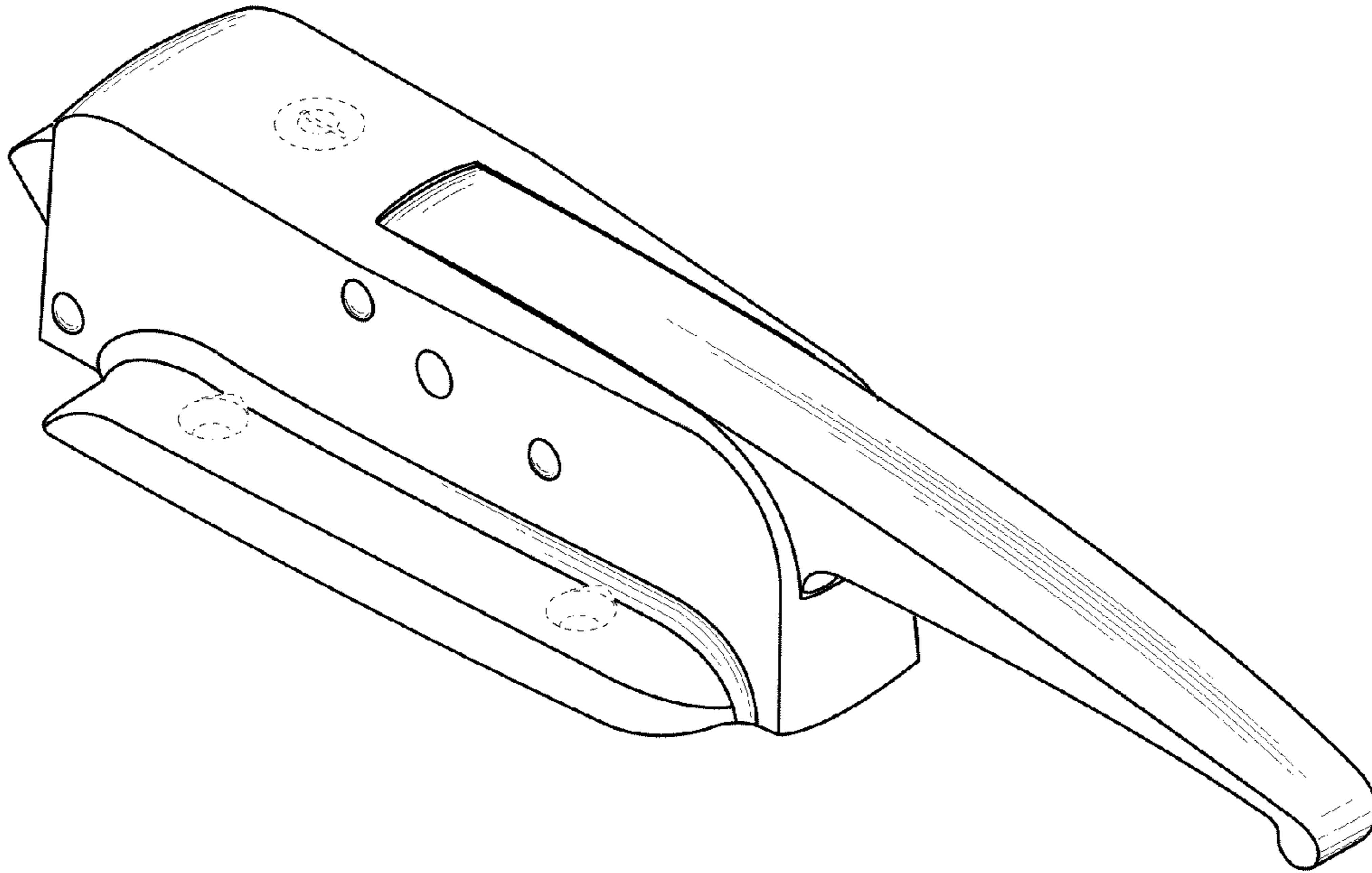


Fig. 2

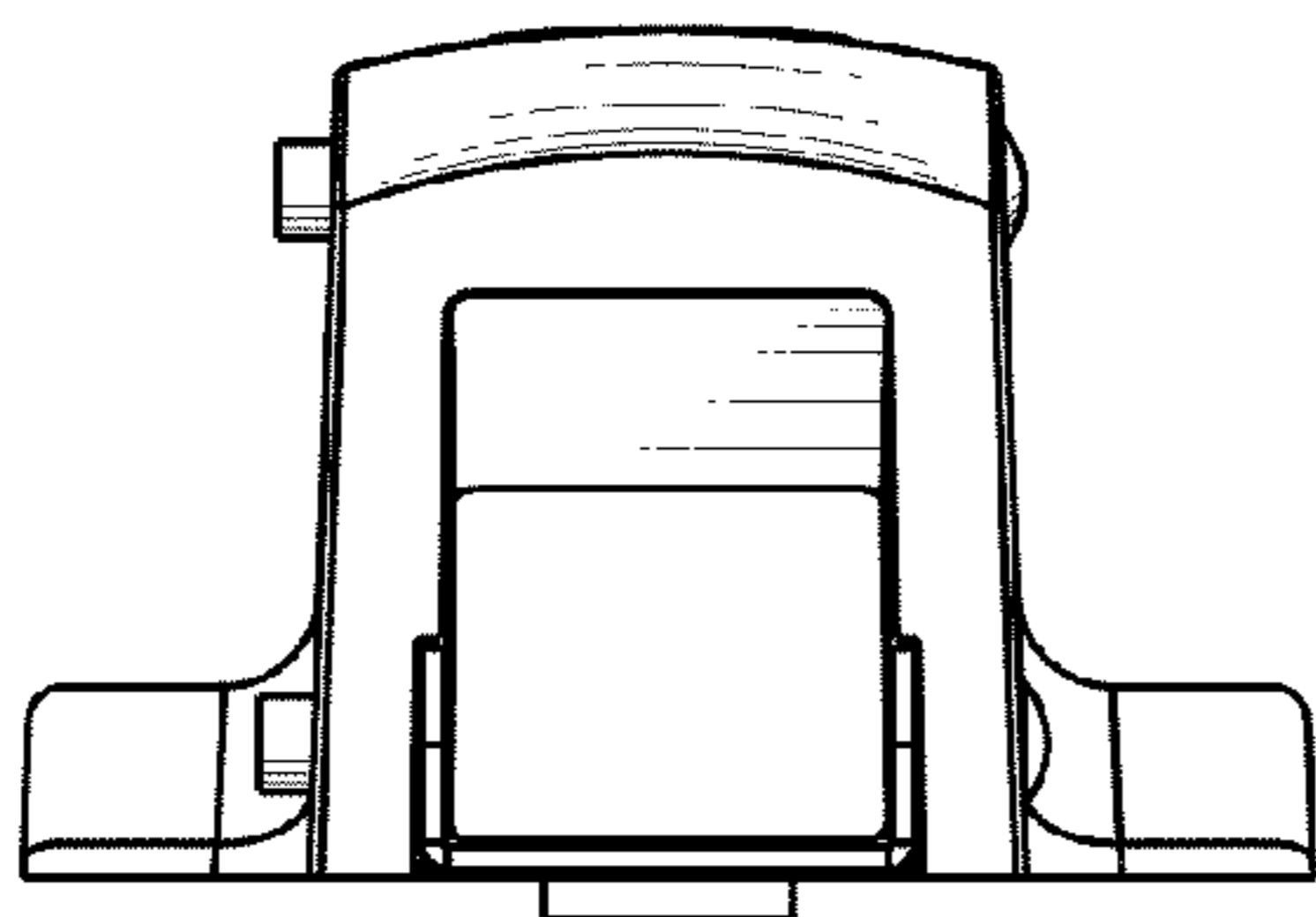


Fig. 3

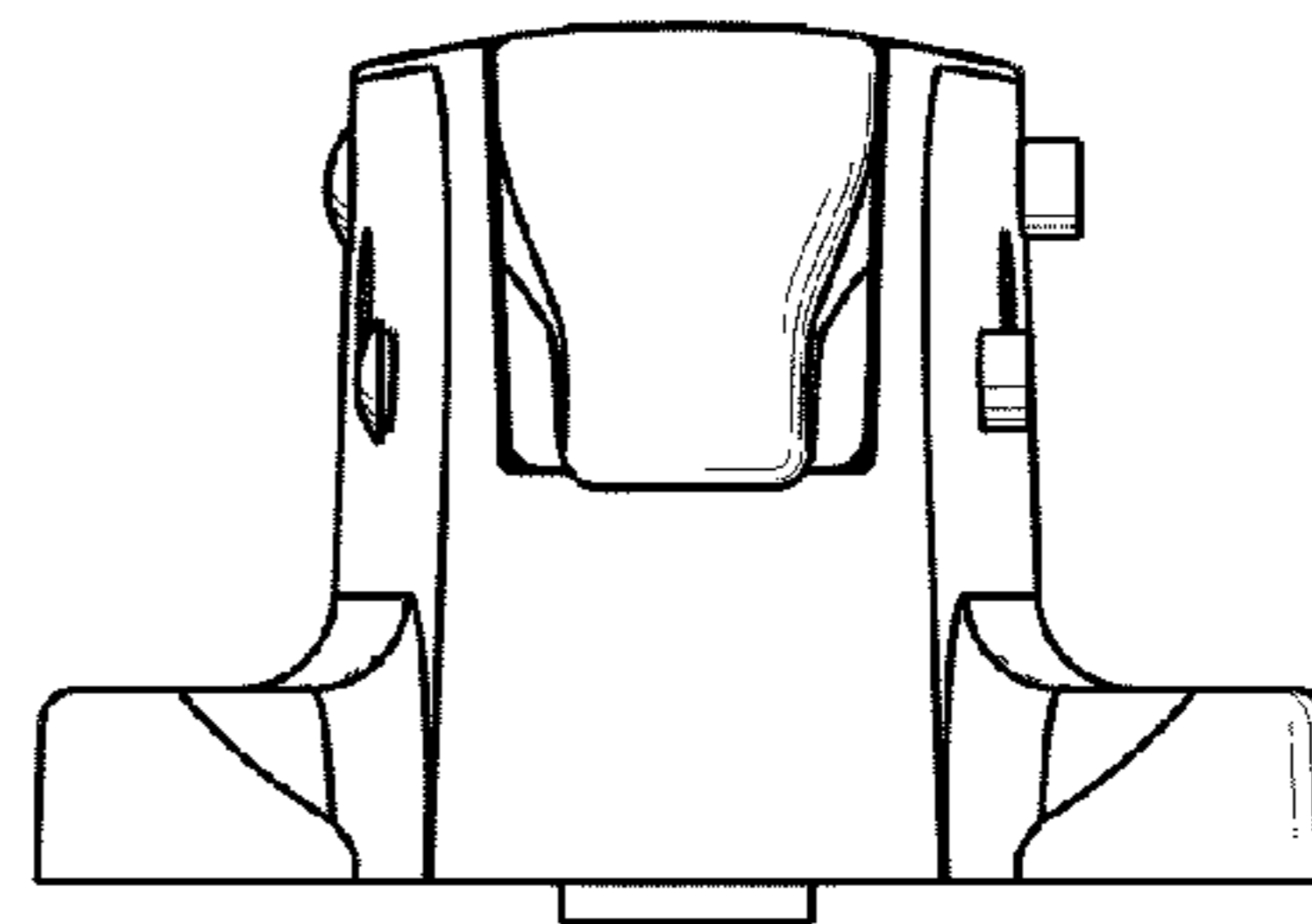


Fig. 4

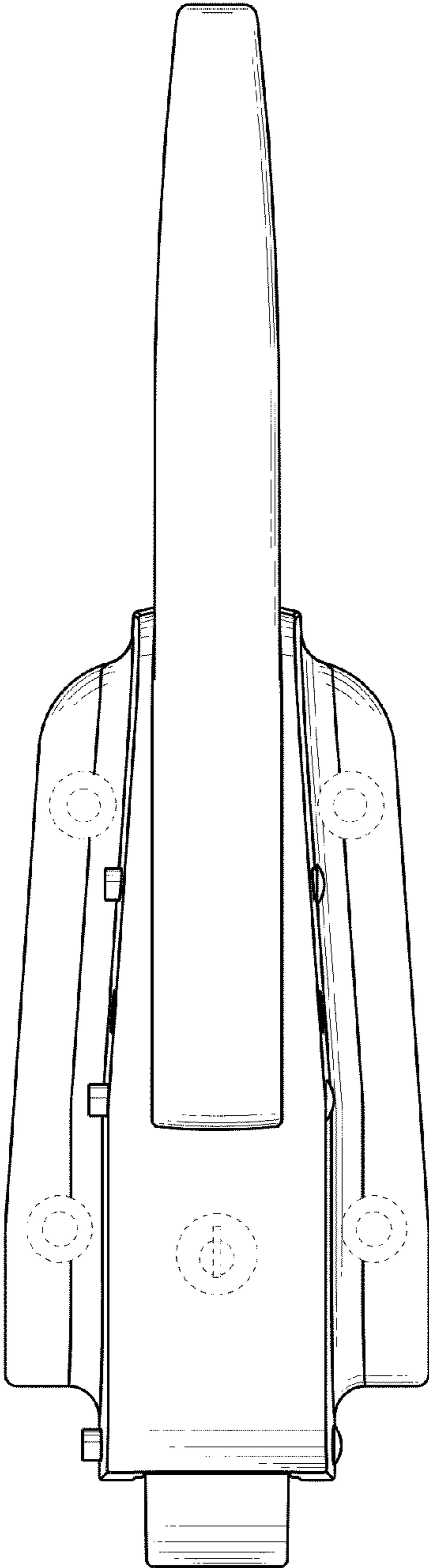


Fig. 5

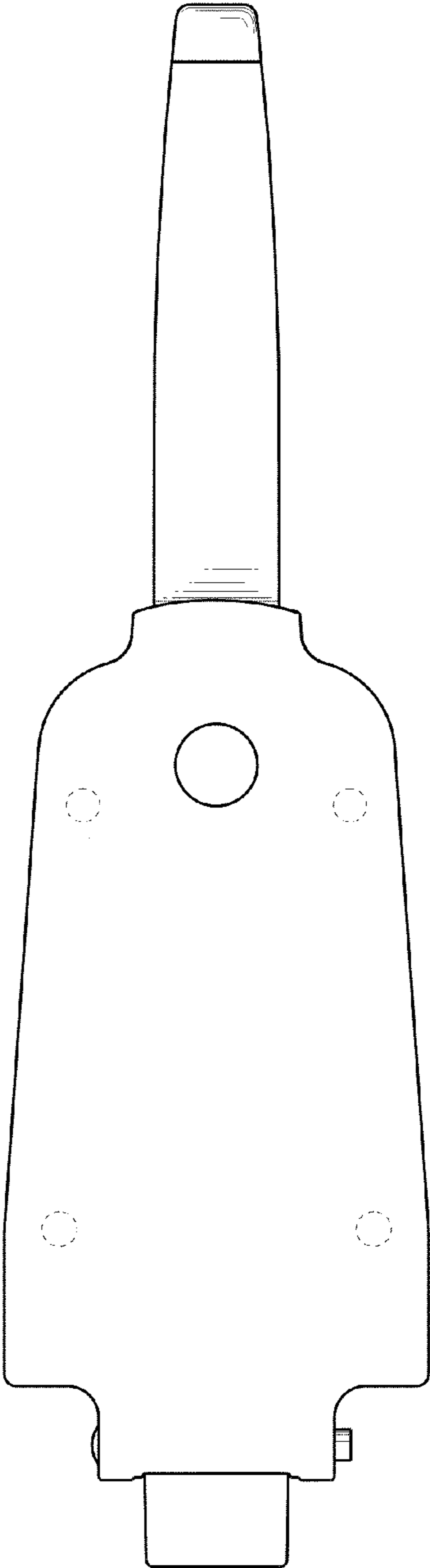


Fig. 6

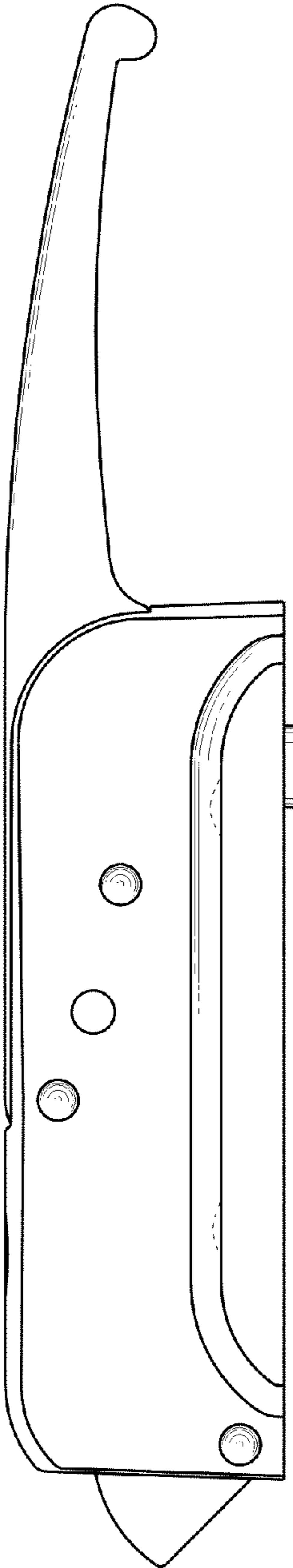


Fig. 7

