



US00D649860S

(12) **United States Design Patent**
Holzapfel

(10) **Patent No.:** **US D649,860 S**

(45) **Date of Patent:** **** Dec. 6, 2011**

- (54) **PART OF FURNITURE FITTING**
- (75) Inventor: **Andreas Holzapfel**, Bregenz (AT)
- (73) Assignee: **Julius Blum GmbH**, Hochst (AU)
- (**) Term: **14 Years**
- (21) Appl. No.: **29/362,581**
- (22) Filed: **May 27, 2010**
- (51) **LOC (9) Cl.** **08-06**
- (52) **U.S. Cl.** **D8/323**
- (58) **Field of Classification Search** D8/323-329;
16/234-237, 239-241, 245-246, 249, 254,
16/261-262, 265, 272, 277, 307, 319, 335,
16/339, 342, 379, 381-389; 4/236-240;
D23/303; 248/200, 221, 11, 300, 309.1,
248/317; D7/334, 337, 402
See application file for complete search history.

- D451,000 S * 11/2001 Karl D8/323
- D477,982 S * 8/2003 Domenig et al. D8/323
- D493,350 S * 7/2004 Wegman D8/323
- D493,351 S * 7/2004 Wegman D8/323
- D497,534 S * 10/2004 Wegman D8/323
- D523,323 S * 6/2006 Domenig et al. D8/323

* cited by examiner

Primary Examiner — Zenia Bennett

(74) *Attorney, Agent, or Firm* — Wenderoth, Lind & Ponack, L.L.P.

(57) **CLAIM**

The ornamental design for a part of furniture fitting, as shown and described.

DESCRIPTION

FIG. 1 is a rear perspective view of part of furniture fitting; FIG. 2 is a front view thereof; FIG. 3 is a left side view thereof; FIG. 4 is a rear view thereof; FIG. 5 is a right side view thereof; FIG. 6 is a top view thereof; FIG. 7 is a bottom view thereof; and, FIG. 8 is a front perspective view thereof.

1 Claim, 2 Drawing Sheets

(56) **References Cited**

U.S. PATENT DOCUMENTS

- D272,123 S * 1/1984 Rock et al. D8/323
- D272,124 S * 1/1984 Rock et al. D8/323
- D272,211 S * 1/1984 Rock et al. D8/354
- D309,247 S * 7/1990 Grass D8/323

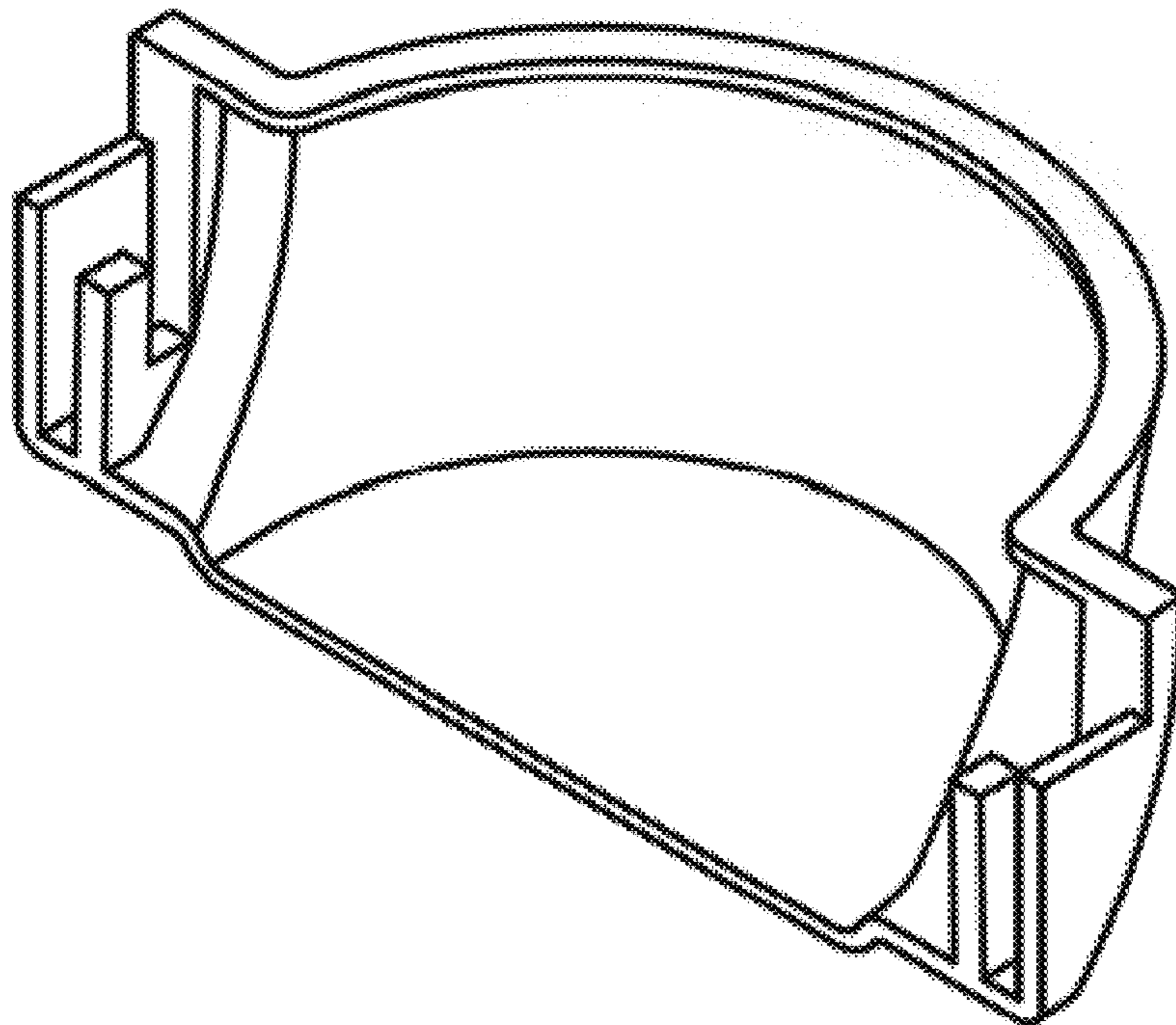


Fig. 1

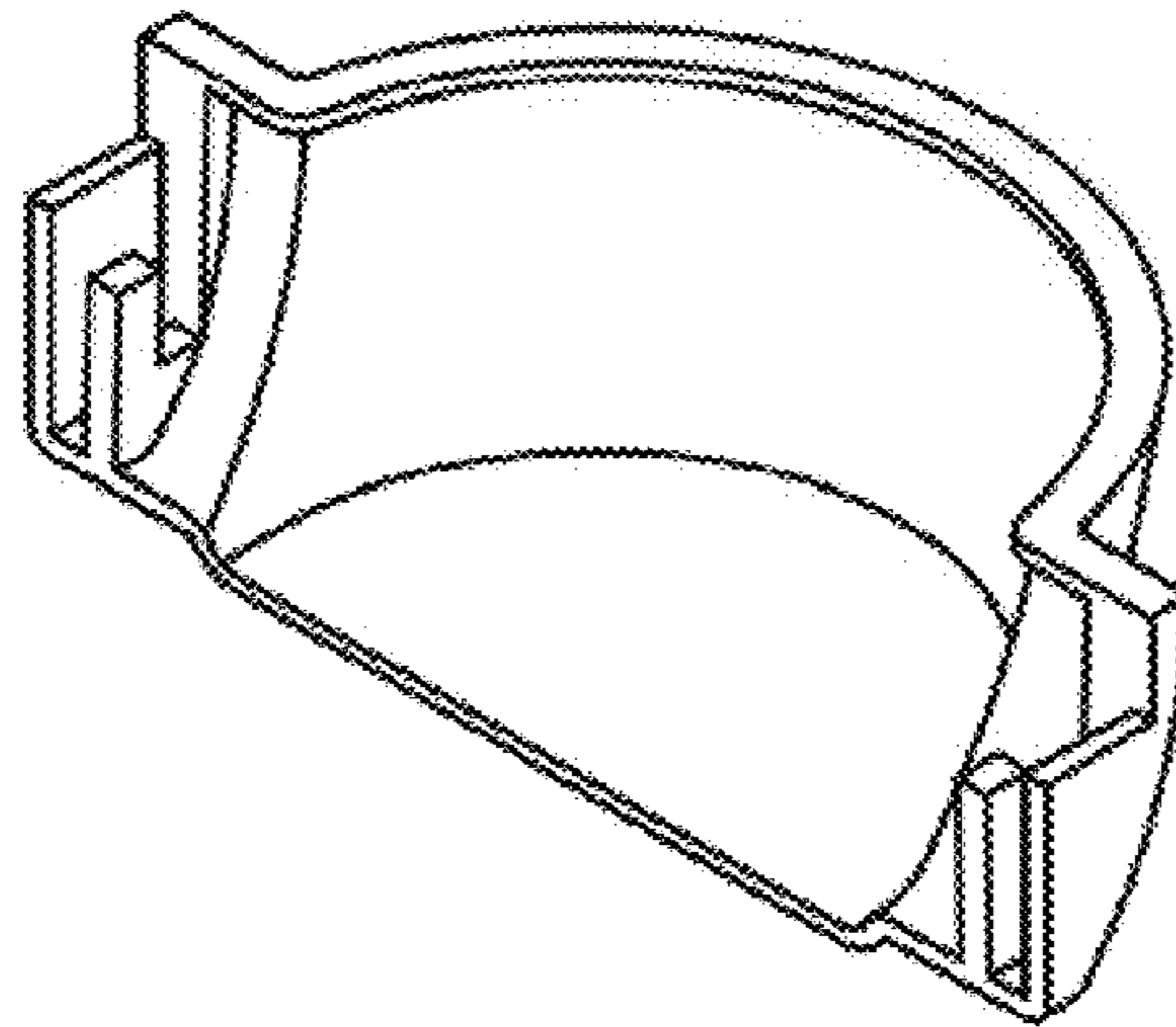


Fig. 2



Fig. 3

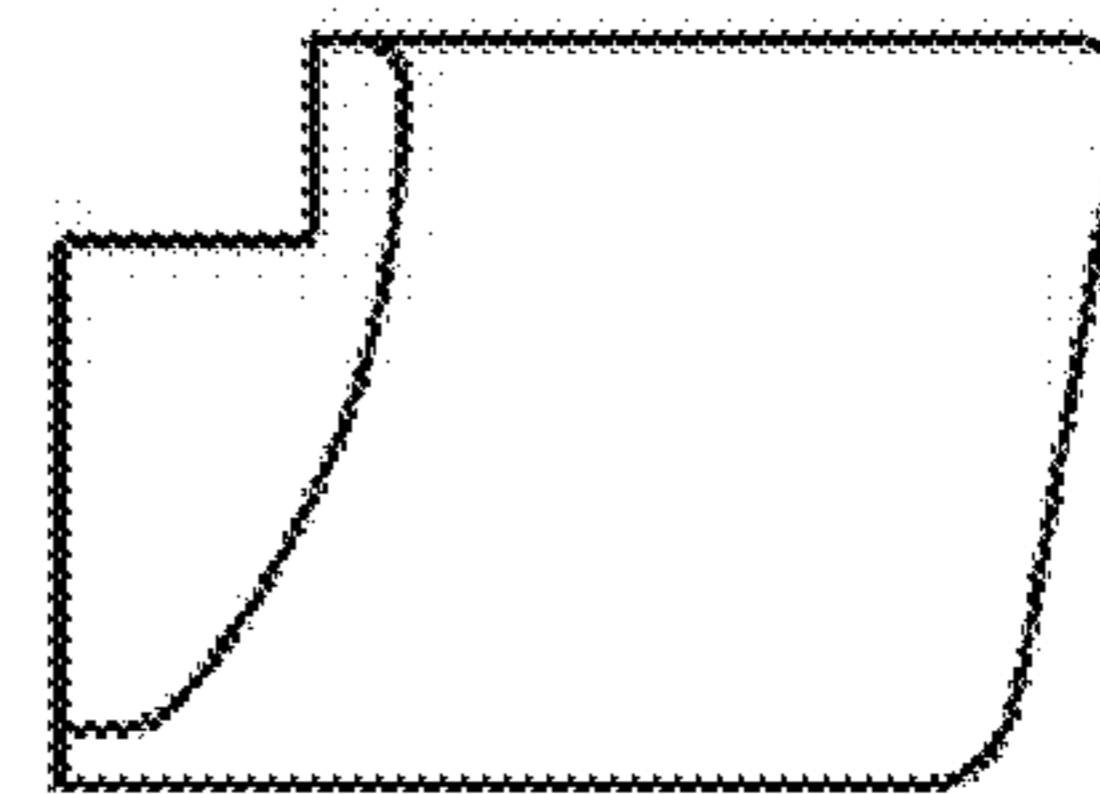


Fig. 4

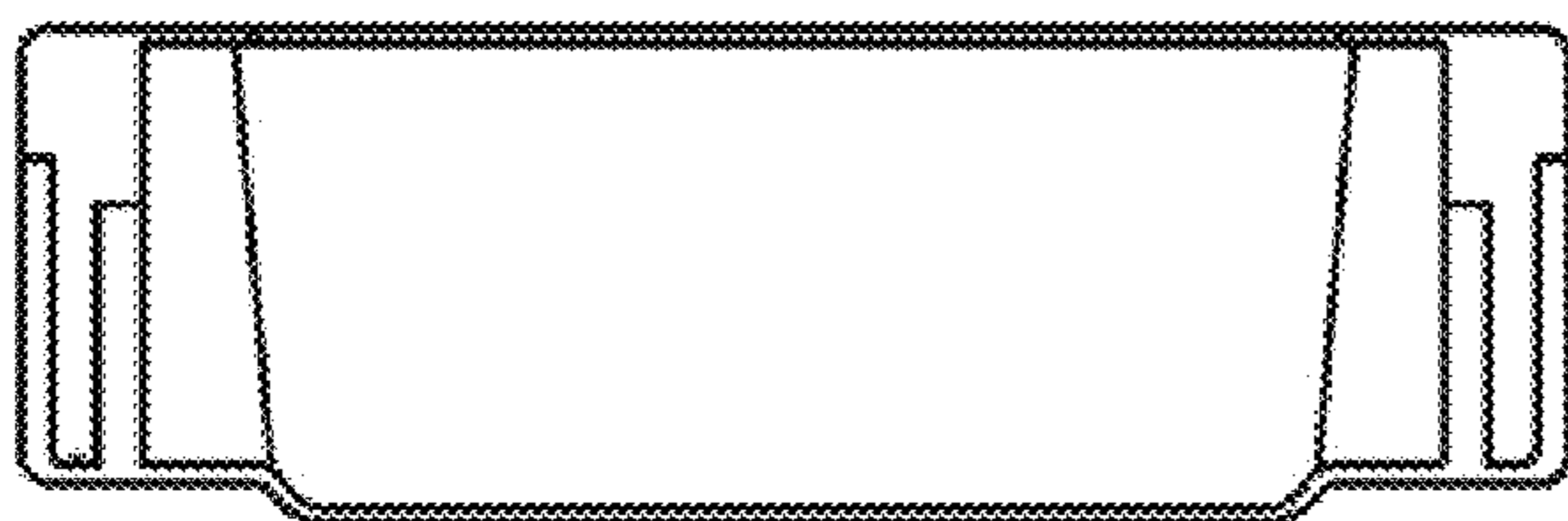


Fig. 5

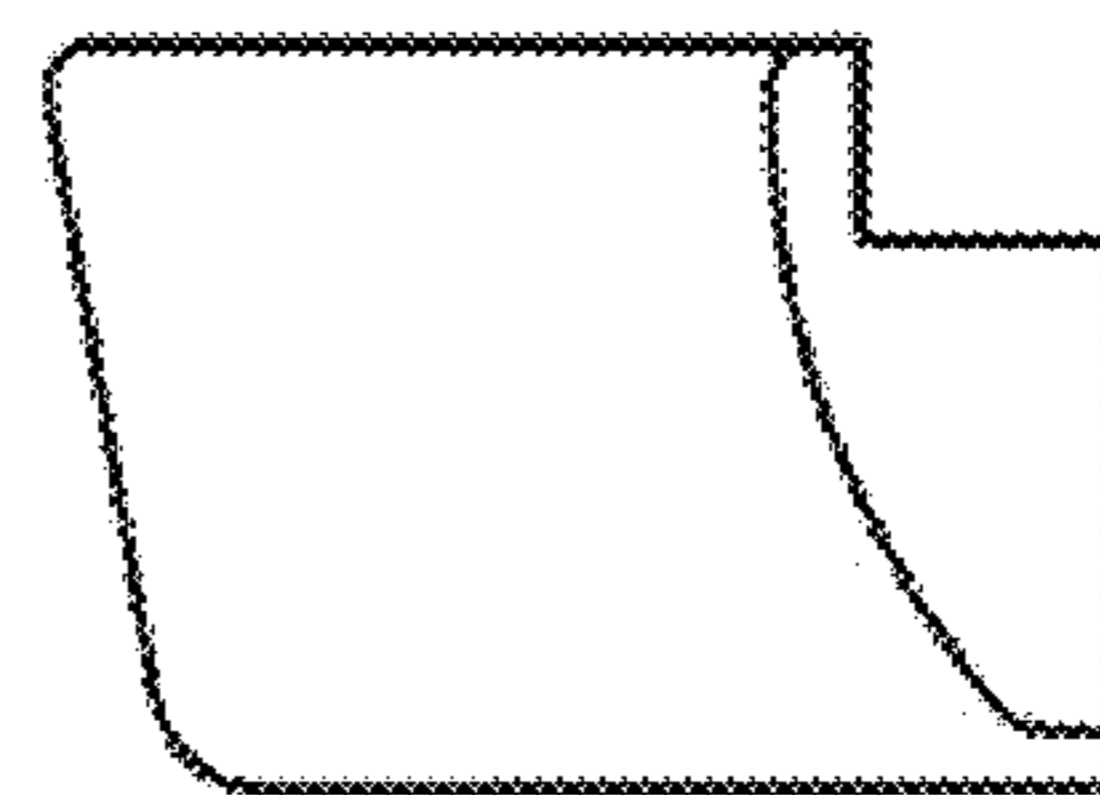


Fig. 6

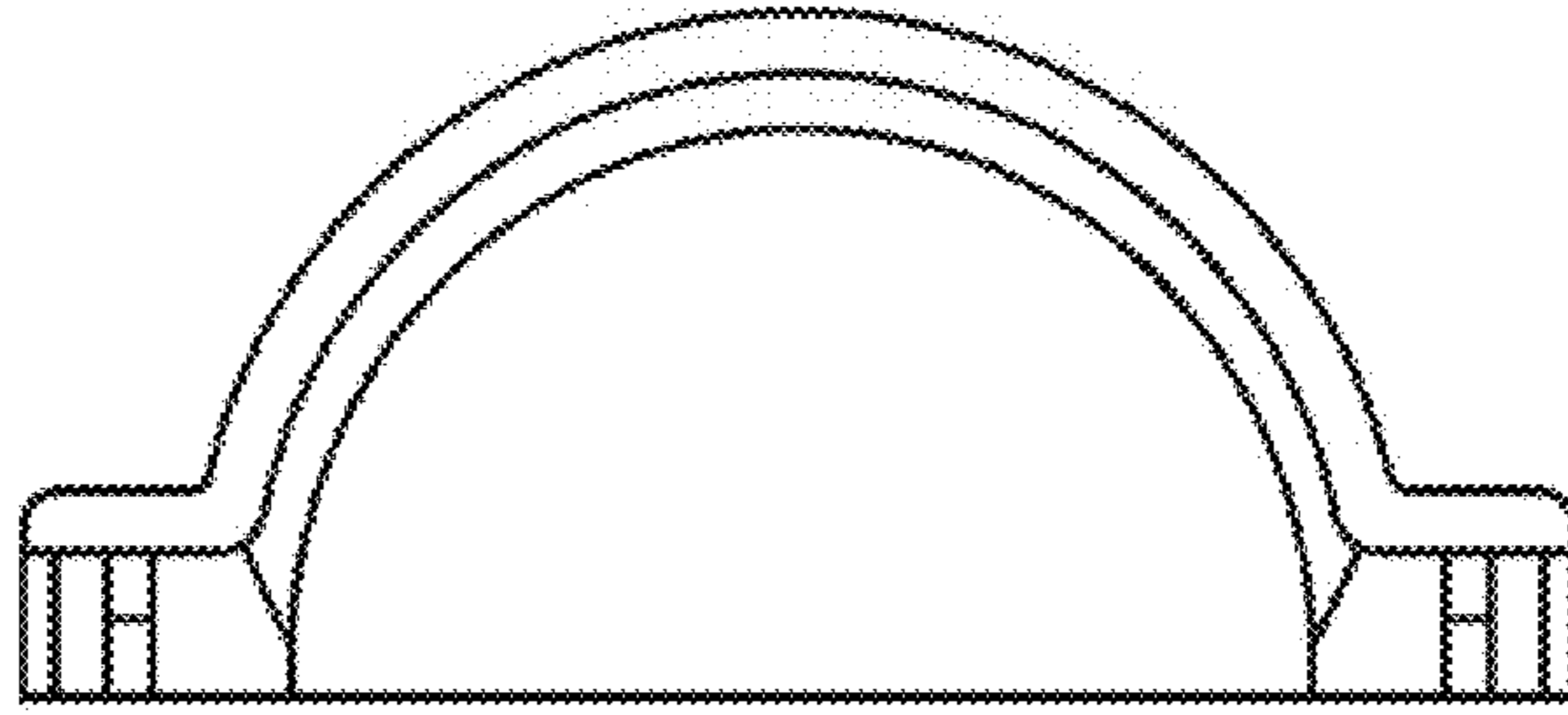


Fig. 7

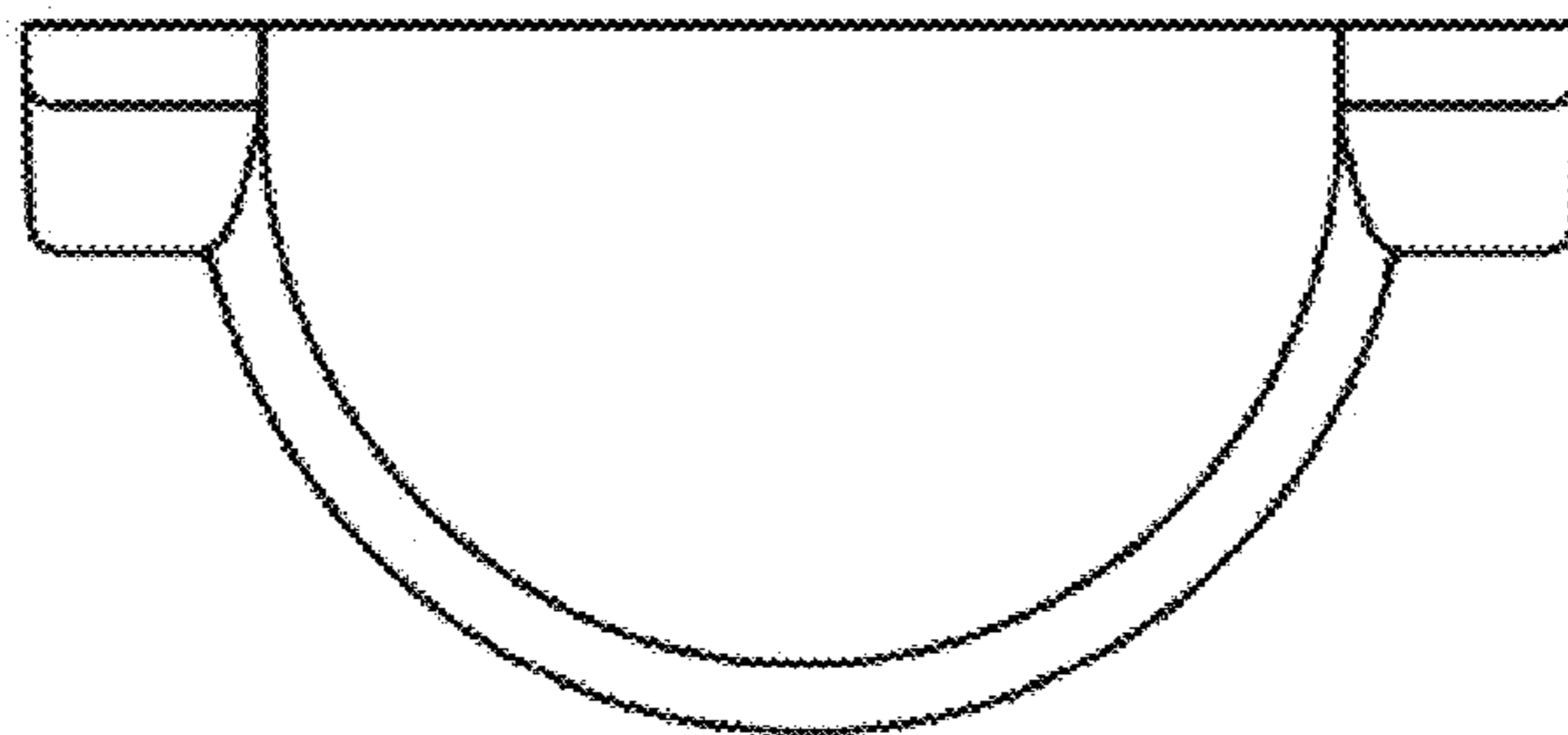


Fig. 8

