



US00D649858S

(12) **United States Design Patent**
Hall

(10) **Patent No.:** **US D649,858 S**

(45) **Date of Patent:** **** Dec. 6, 2011**

(54) **SANITARY COVER FOR A HANDLE**

(76) Inventor: **Connie C. Hall**, Graham, NC (US)

(**) Term: **14 Years**

(21) Appl. No.: **29/382,346**

(22) Filed: **Jan. 3, 2011**

Related U.S. Application Data

(63) Continuation-in-part of application No. 11/998,124, filed on Nov. 28, 2007, now abandoned.

(51) **LOC (9) Cl.** **08-06**

(52) **U.S. Cl.** **D8/322**

(58) **Field of Classification Search** D8/322;
D34/27; D2/860, 861, 864, 500; 2/247,
2/209.13; 294/137; D9/434; 224/572, 277,
224/411; 150/105, 106, 118; 206/574, 831;
16/435

See application file for complete search history.

(56) **References Cited**

U.S. PATENT DOCUMENTS

D58,406 S *	7/1921	Simon	D2/500
2,059,022 A *	10/1936	Park	150/105
2,669,737 A *	2/1954	Evans	401/201
4,262,385 A *	4/1981	Norman	16/411
4,391,370 A *	7/1983	Dalbo	206/574
4,512,504 A *	4/1985	Owlett	224/572
4,930,543 A *	6/1990	Zuiches	138/110
D328,812 S	8/1992	Pritchett		
5,215,319 A	6/1993	Farris		
D341,691 S	11/1993	Begum et al.		
D370,110 S	5/1996	Beam		
5,636,742 A *	6/1997	Hoffrichter	206/494

5,722,672 A	3/1998	Frederick		
5,820,142 A	10/1998	Duer		
6,065,764 A	5/2000	Moseley		
6,481,771 B1 *	11/2002	Friedman	294/171
6,543,794 B1	4/2003	Tyree		
6,817,066 B1	11/2004	Williams et al.		
D513,962 S *	1/2006	Beckwith	D8/322
D521,207 S *	5/2006	Anderson et al.	D34/27
7,222,817 B2	5/2007	Stringer		

* cited by examiner

Primary Examiner — Paula Greene

(74) *Attorney, Agent, or Firm* — P. Jeff Martin; The Law Firm of P. Jeffrey Martin, LLC

(57) **CLAIM**

The ornamental design for a sanitary cover for a handle, as shown and described.

DESCRIPTION

FIG. 1 is a front perspective view of a sanitary cover for a handle showing my new design;

FIG. 2 is a rear perspective view of the sanitary cover for a handle of FIG. 1;

FIG. 3 is a top plan view of the sanitary cover for a handle of FIG. 1;

FIG. 4 is a bottom plan of the sanitary cover for a handle of FIG. 1;

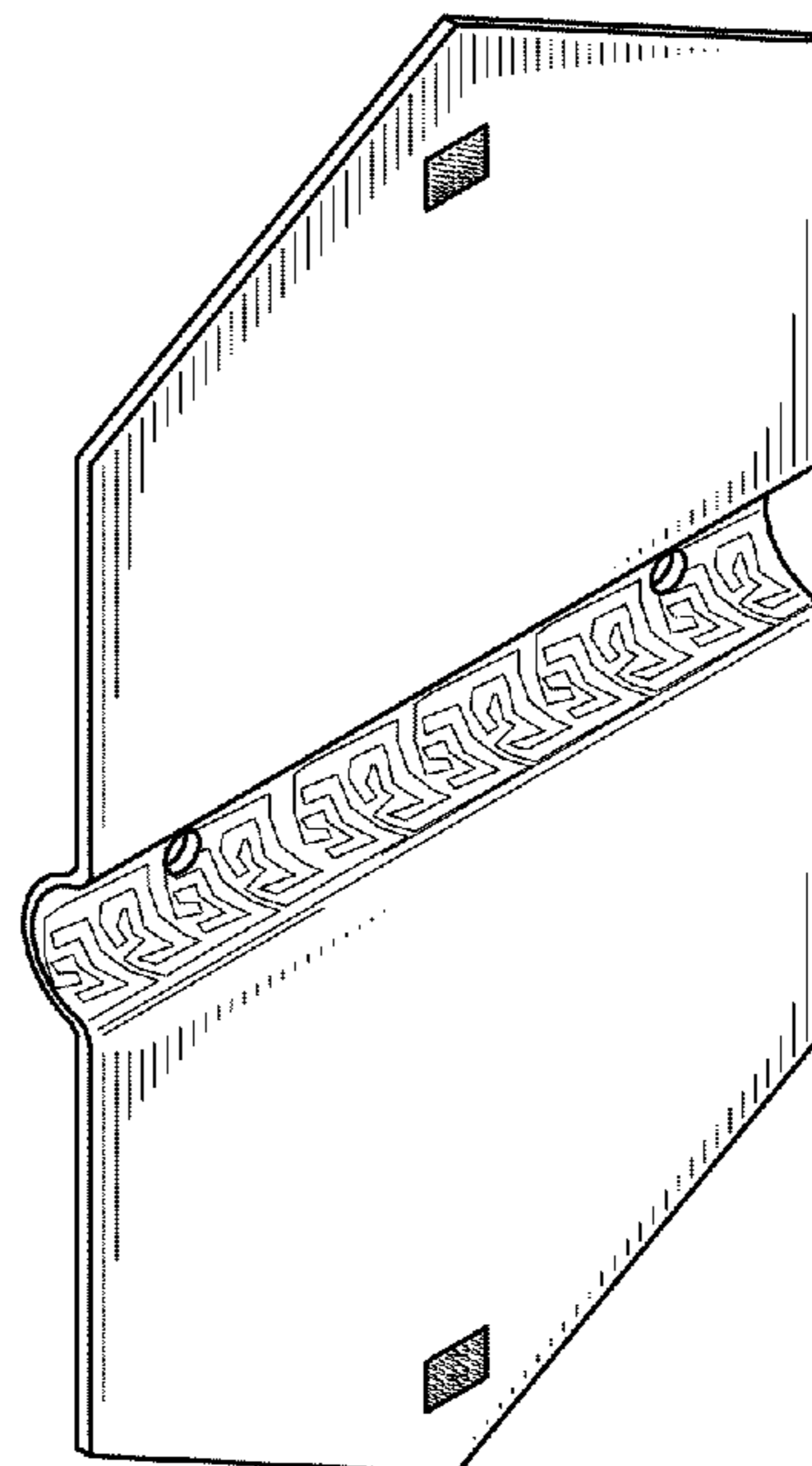
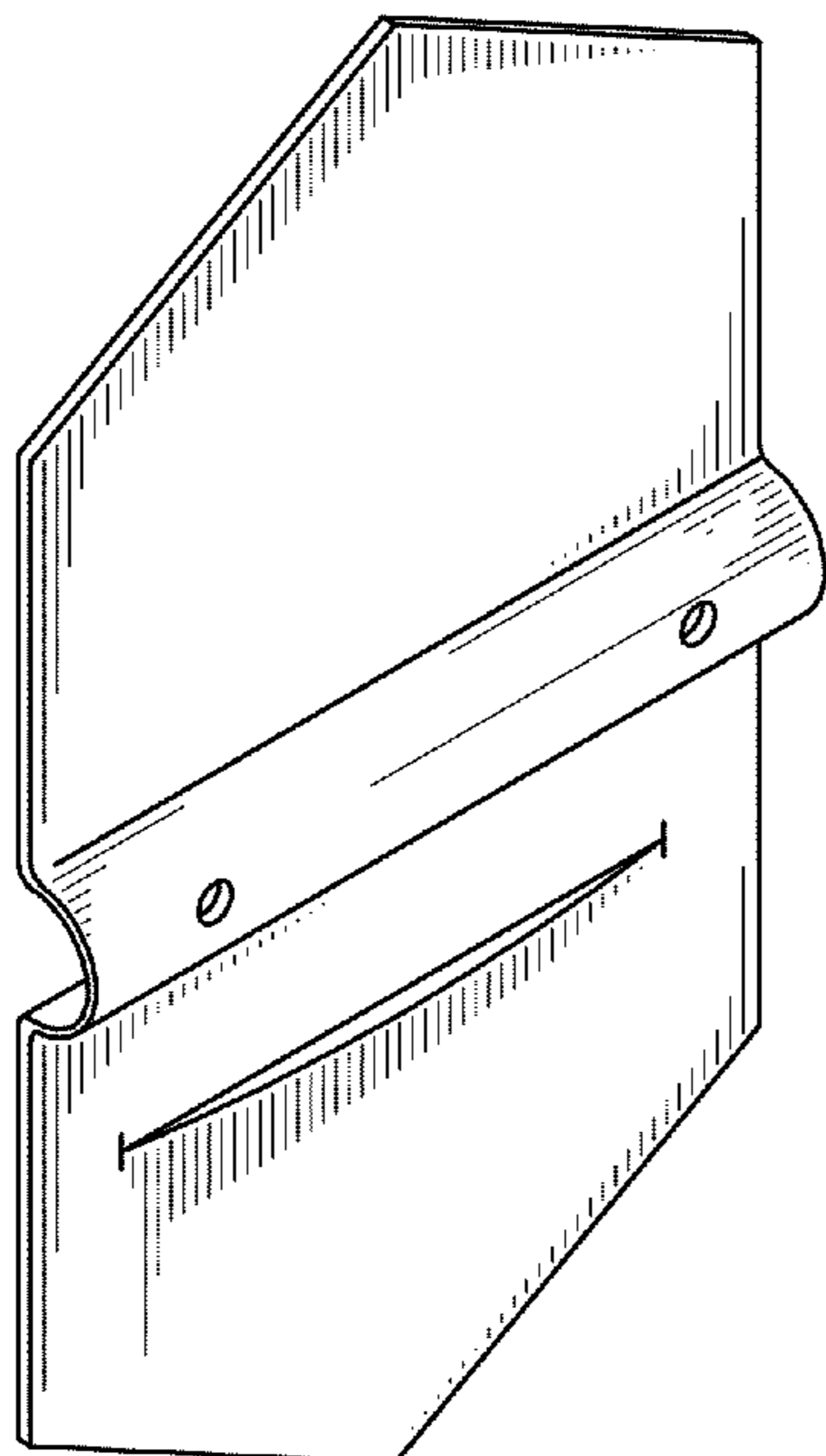
FIG. 5 is a right side view of the sanitary cover for a handle of FIG. 1;

FIG. 6 is a left side view of the sanitary cover for a handle of FIG. 1;

FIG. 7 is a front view of the sanitary cover for a handle of FIG. 1; and,

FIG. 8 is a rear view of the sanitary cover for a handle of FIG. 1.

1 Claim, 2 Drawing Sheets



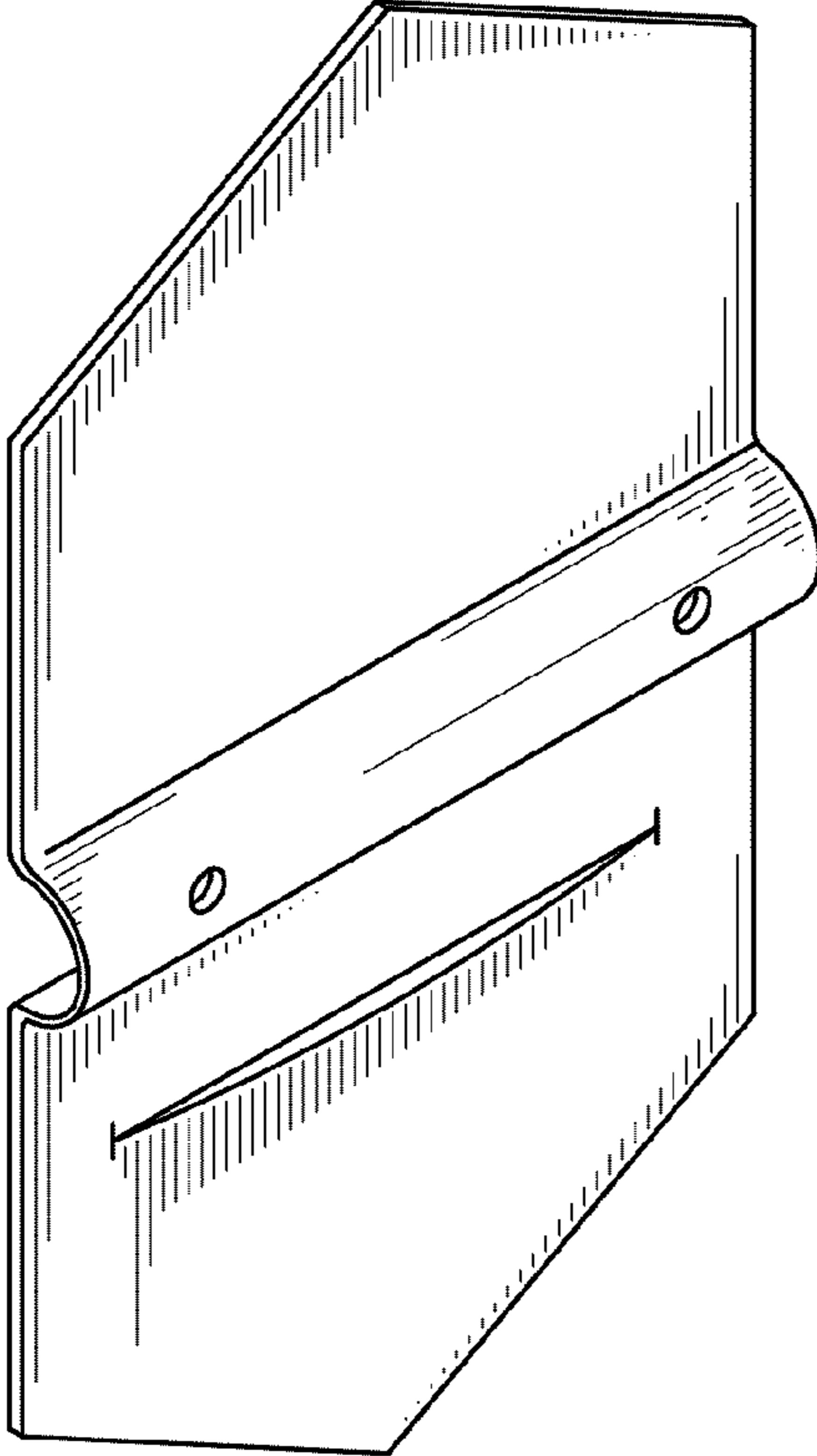


FIG. 1

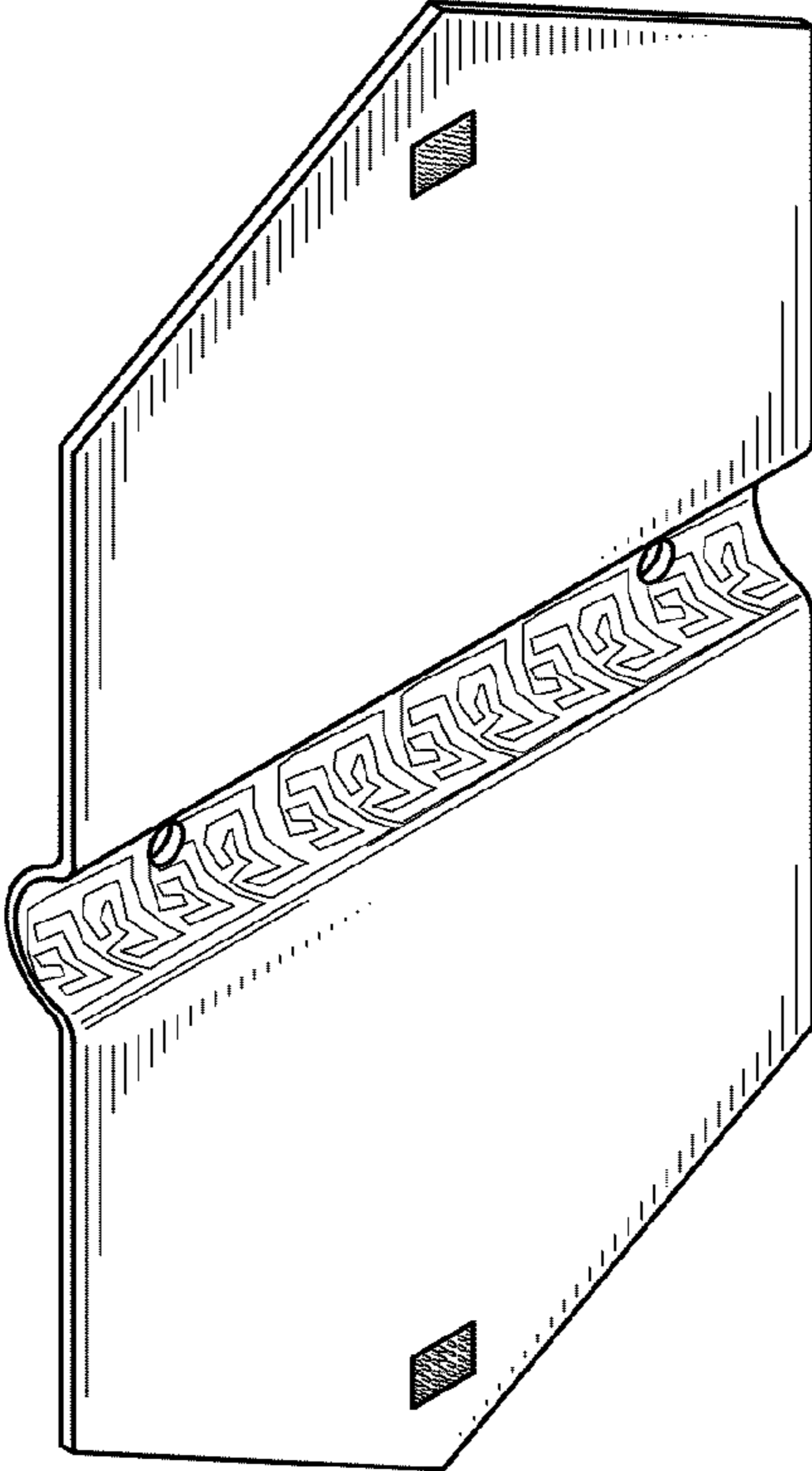


FIG. 2

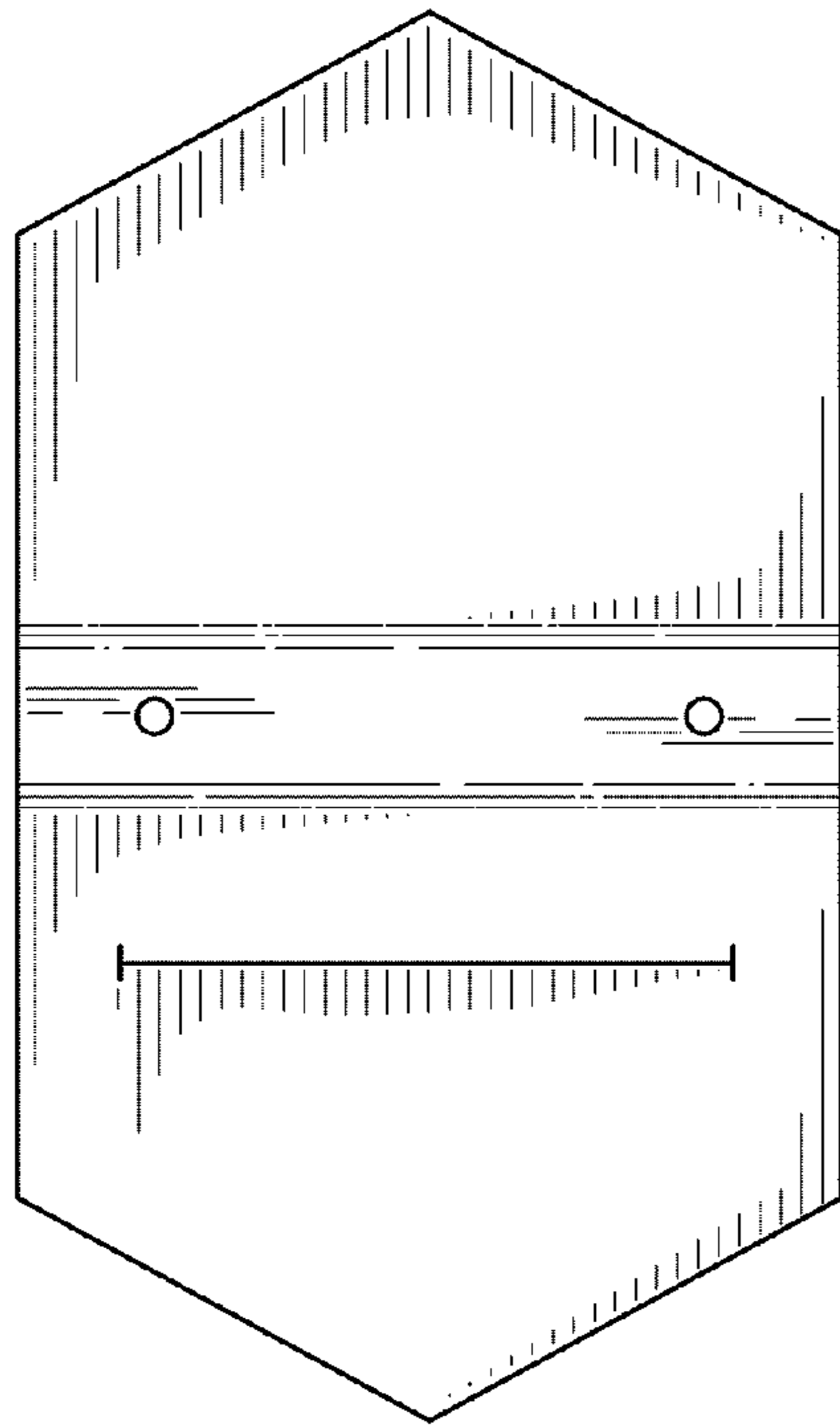


FIG. 3

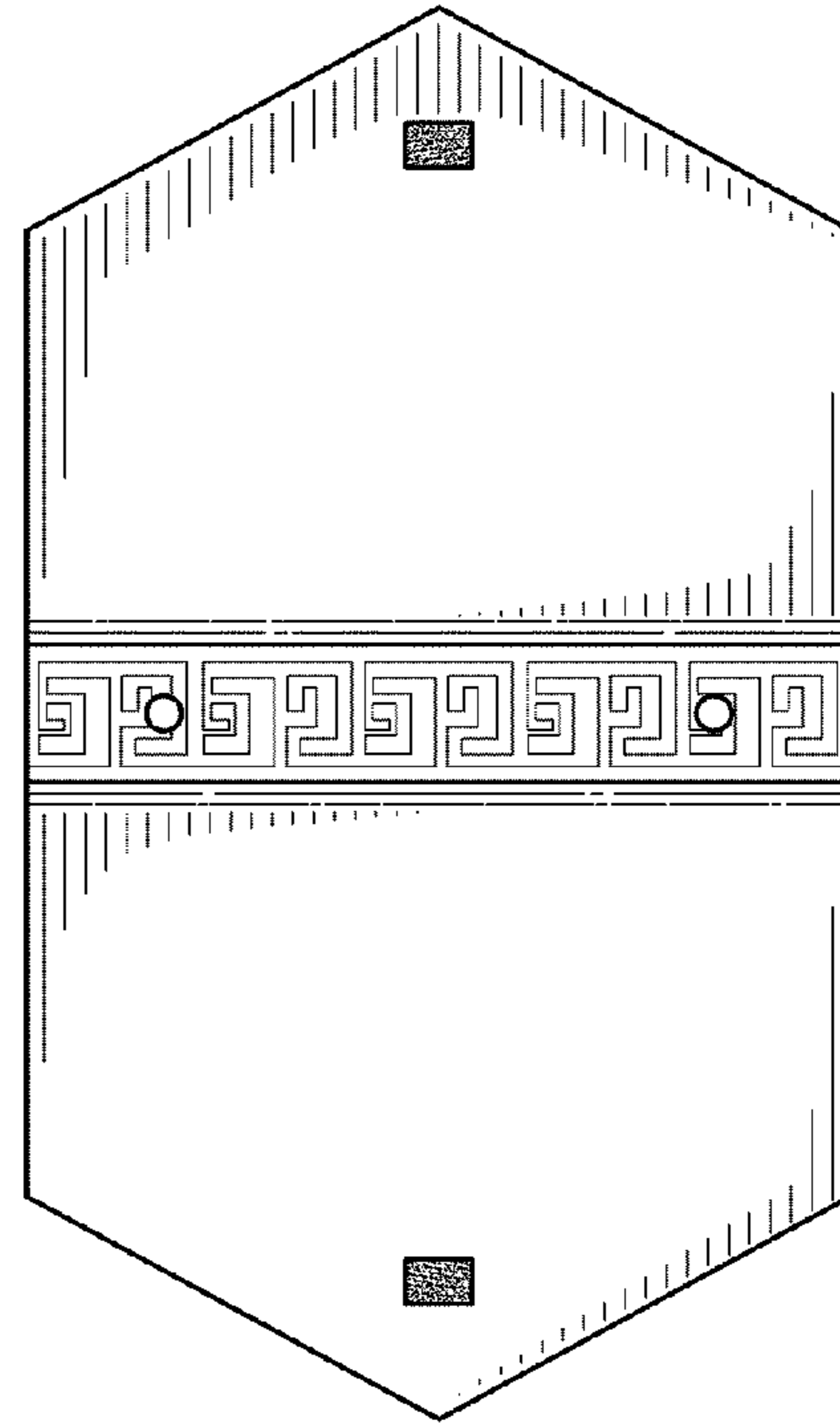


FIG. 4



FIG. 5



FIG. 6

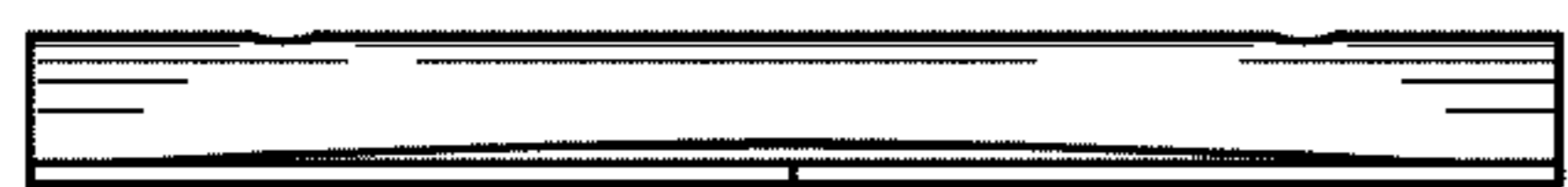


FIG. 7

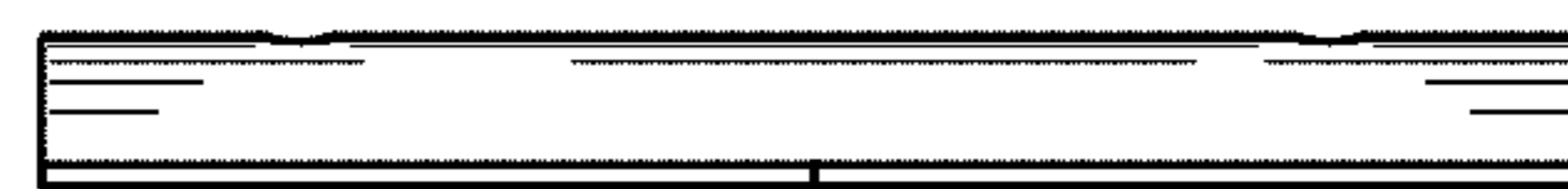


FIG. 8