



US00D649857S

(12) **United States Design Patent**  
**Mattson**

(10) **Patent No.:** **US D649,857 S**

(45) **Date of Patent:** **\*\* Dec. 6, 2011**

(54) **CABINET HANDLE**

(75) Inventor: **Deborah D. Mattson**, Plainwell, MI  
(US)

(73) Assignee: **Belwith Products, LLC**, Grandville, MI  
(US)

(\*\*) Term: **14 Years**

(21) Appl. No.: **29/383,637**

(22) Filed: **Jan. 20, 2011**

(51) **LOC (9) Cl.** ..... **08-06**

(52) **U.S. Cl.** ..... **D8/315**

(58) **Field of Classification Search** ..... D8/300,  
D8/305, 315, 316, 317, 319, 320; 16/110.1,  
16/412; D7/393, 394; 292/336.3; D99/11  
See application file for complete search history.

(56) **References Cited**

**U.S. PATENT DOCUMENTS**

D98,693 S *	2/1936	Rettich	.....	D8/316
D109,464 S *	5/1938	Aldeen	.....	D8/316
D169,533 S *	5/1953	Deadrick	.....	D8/319
D192,110 S *	1/1962	Aleks	.....	D8/319
D197,961 S *	4/1964	Heyer	.....	D8/317

D222,232 S *	10/1971	Horgasn, Jr.	.....	D8/316
D399,406 S *	10/1998	Decursu et al.	.....	D8/317
D403,230 S *	12/1998	Ziemer et al.	.....	D8/317
D575,135 S *	8/2008	Hoernig	.....	D8/316
D605,924 S *	12/2009	Hanes	.....	D8/317
D629,668 S *	12/2010	Mattson	.....	D8/315

\* cited by examiner

*Primary Examiner* — Paula Greene

(74) *Attorney, Agent, or Firm* — Vangelis Economou;  
Economou IP Law

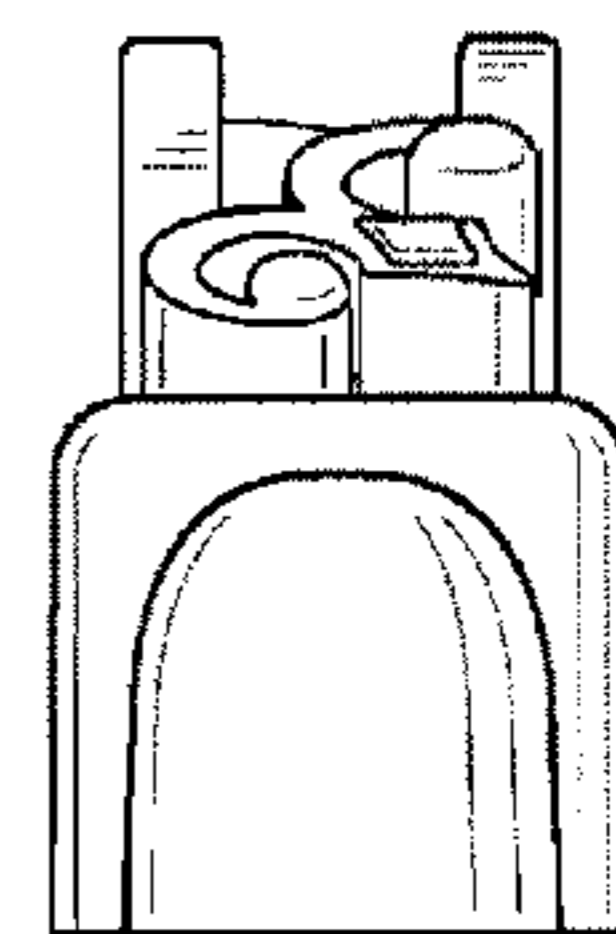
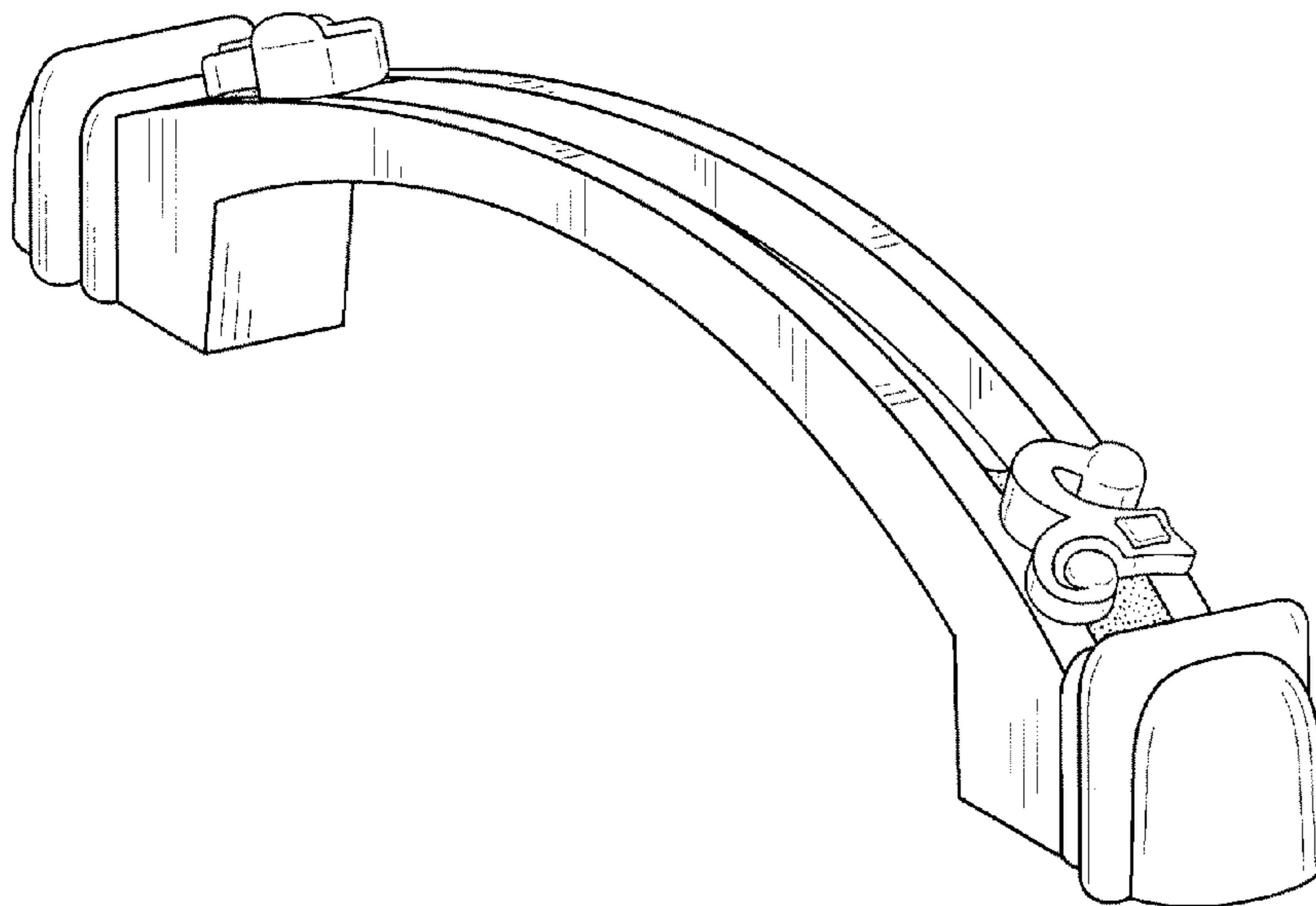
(57) **CLAIM**

The ornamental design for a cabinet handle, as shown and described.

**DESCRIPTION**

FIG. 1 is a perspective view of the cabinet handle showing my new design;  
FIG. 2 is a reduced front elevation view thereof;  
FIG. 3 is a back elevational view thereof;  
FIG. 4 is a right side view thereof;  
FIG. 5 is a left side view thereof;  
FIG. 6 is a top view thereof; and,  
FIG. 7 is a bottom view thereof.  
The broken lines form no part of the claimed design.

**1 Claim, 3 Drawing Sheets**



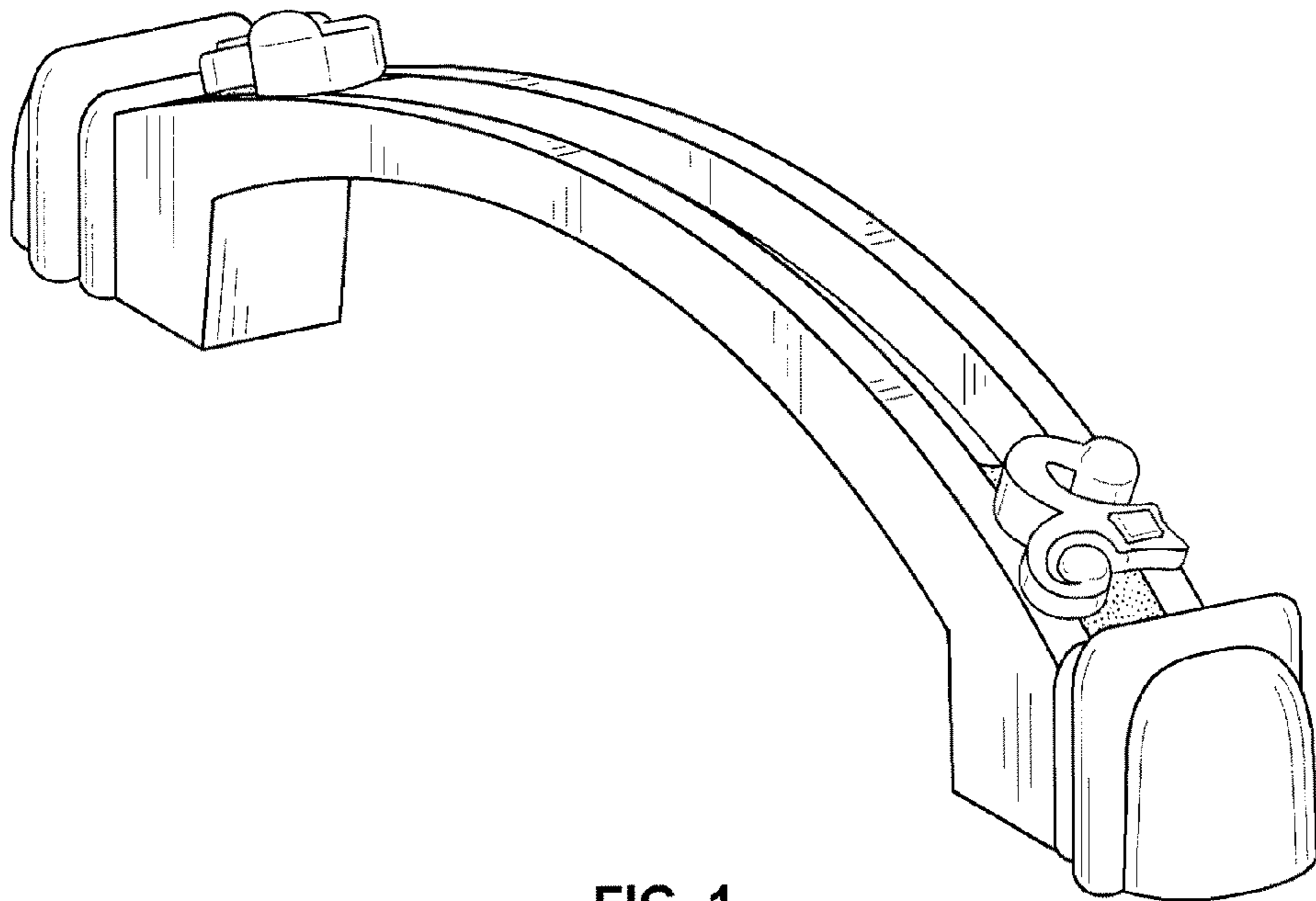


FIG. 1

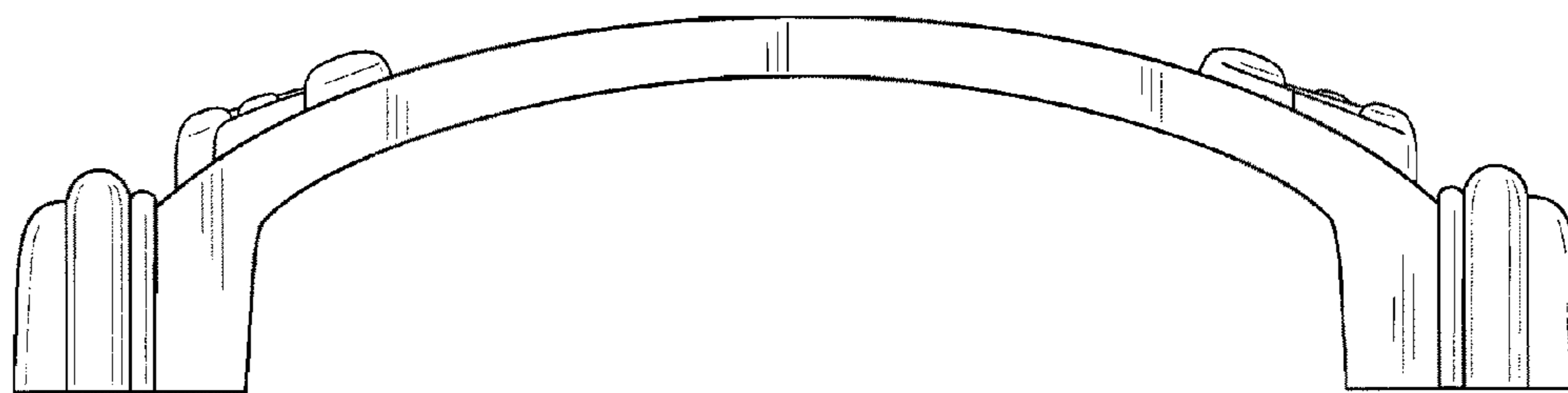


FIG. 2

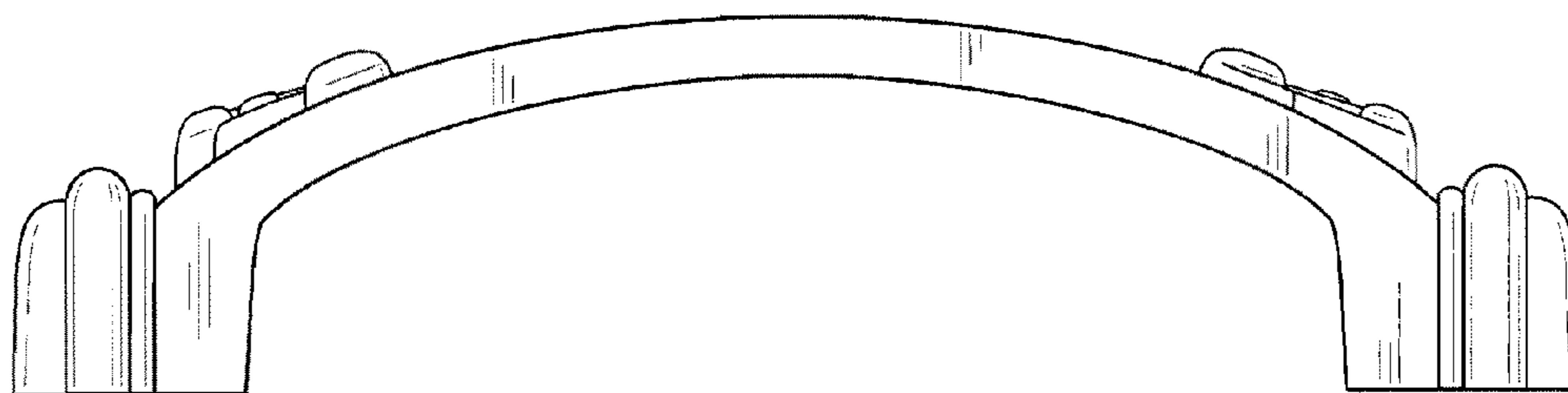


FIG. 3

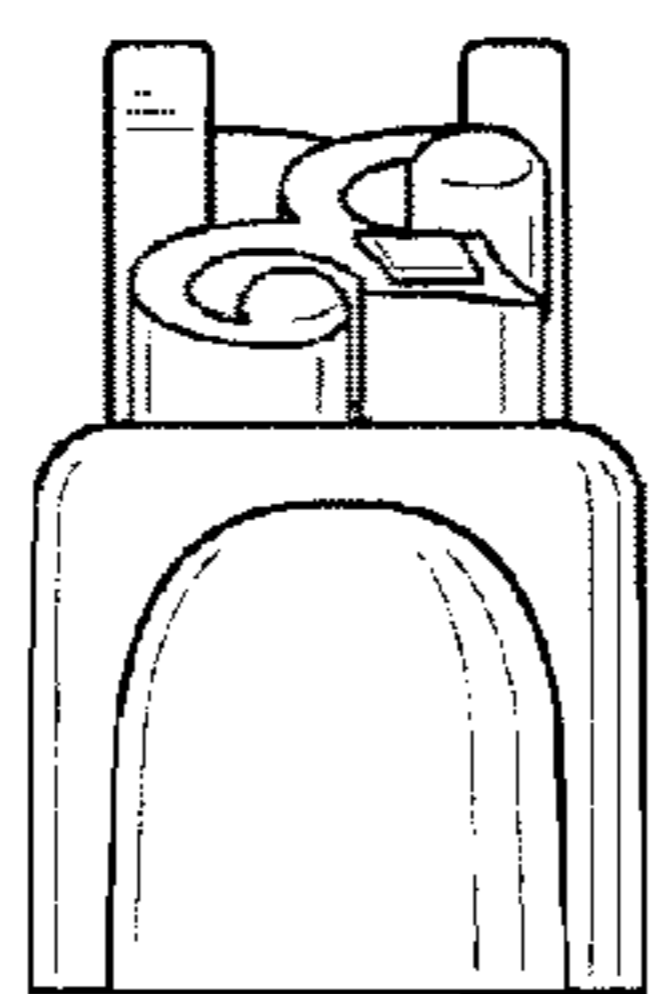


FIG. 4

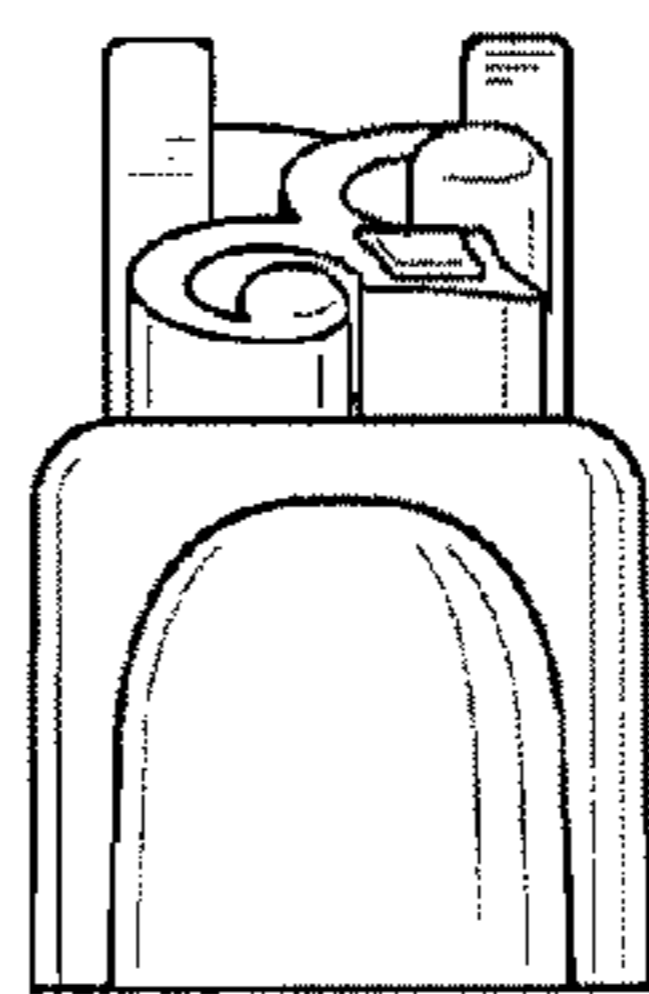


FIG. 5

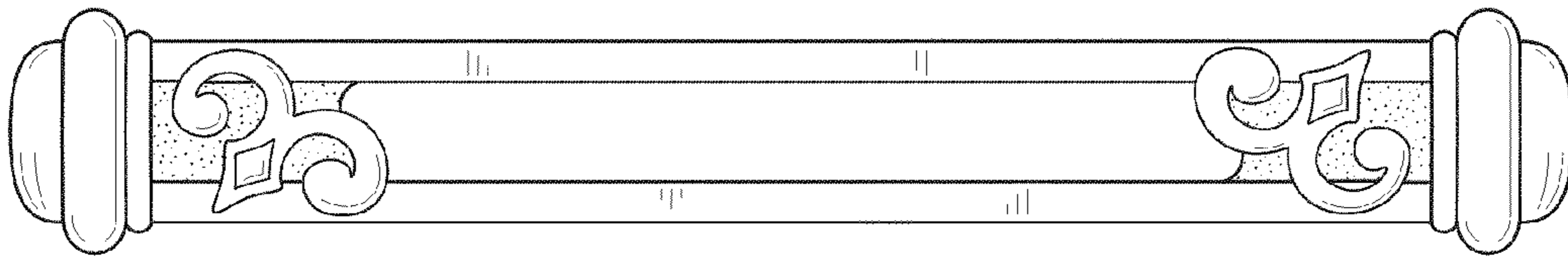


FIG. 6

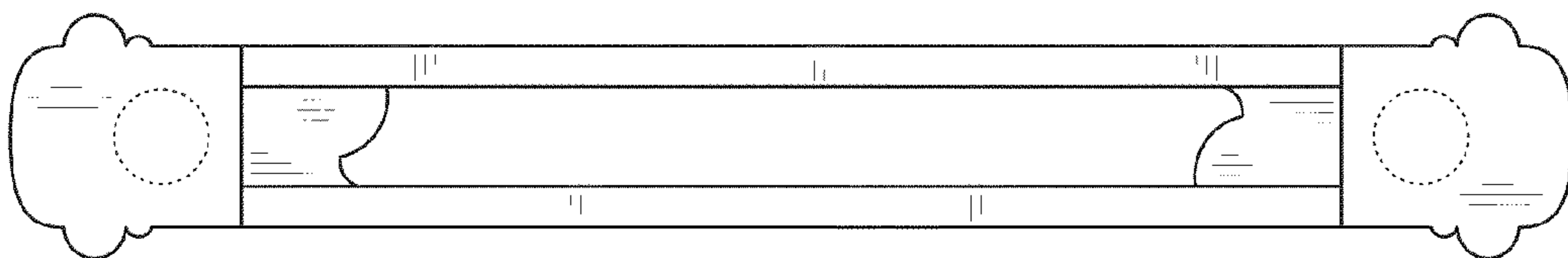


FIG. 7