



US00D649853S

(12) **United States Design Patent**
Tinius

(10) **Patent No.:** **US D649,853 S**

(45) **Date of Patent:** **** Dec. 6, 2011**

(54) **CHAIN SAW**

(75) Inventor: **Michael Tinius**, Ulm (DE)

(73) Assignee: **Andreas Stihl AG & Co. KG**,
Waiblingen (DE)

(**) Term: **14 Years**

(21) Appl. No.: **29/385,588**

(22) Filed: **Feb. 16, 2011**

(30) **Foreign Application Priority Data**

Aug. 17, 2010 (EM) 001230023-0002

(51) **LOC (9) Cl.** **08-03**

(52) **U.S. Cl.** **D8/65**

(58) **Field of Classification Search** D8/65,
D8/7, 8, 9, 70, 66, 67, 62, 63, 64, 61, 91;
30/386, 383, 382, 371, 123, 381; 125/21;
D21/532; 83/832, 833, 834; 123/185.3
See application file for complete search history.

(56) **References Cited**

U.S. PATENT DOCUMENTS

D364,326 S *	11/1995	Lohse et al.	D8/65
D412,652 S *	8/1999	Durr et al.	D8/65
D558,019 S *	12/2007	Granberg et al.	D8/65
D558,020 S *	12/2007	Karlsson et al.	D8/65
D563,747 S *	3/2008	Tinius	D8/65

D574,207 S *	8/2008	Arnesson et al.	D8/65
D606,829 S *	12/2009	Tinius	D8/65
D607,292 S *	1/2010	Tinius	D8/65
D607,293 S *	1/2010	Tinius	D8/65
D615,836 S *	5/2010	Kosugi et al.	D8/65
D633,353 S *	3/2011	Tinius	D8/65
D633,766 S *	3/2011	Tinius	D8/65
D636,652 S *	4/2011	Mehra	D8/65
2002/0073551 A1 *	6/2002	Goodwin	30/123.4
2004/0103857 A1 *	6/2004	Kruse	123/1 R
2006/0230900 A1 *	10/2006	Bergquisto	83/381

* cited by examiner

Primary Examiner — Austin Murphy

(74) *Attorney, Agent, or Firm* — McGuireWoods LLP

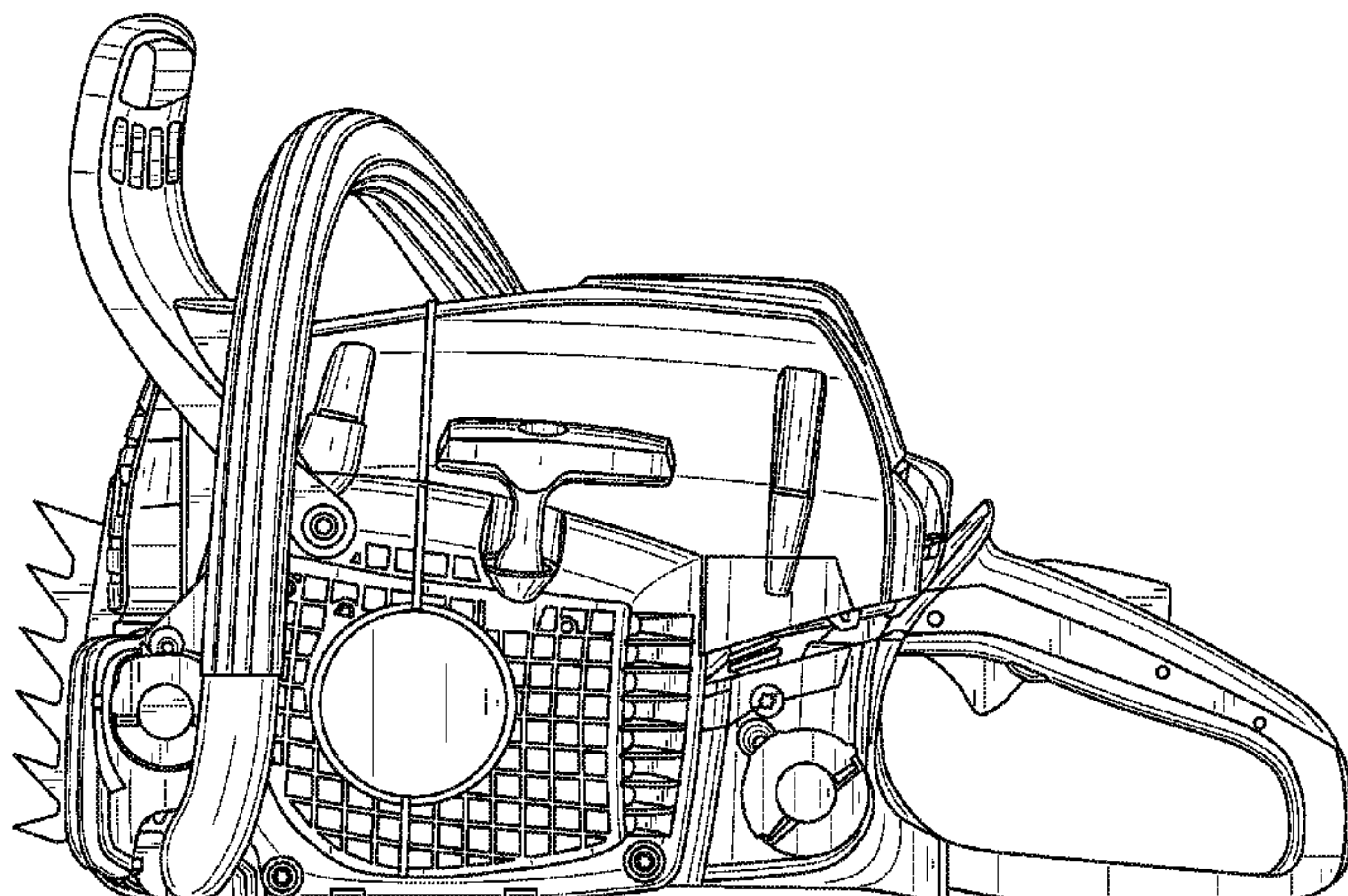
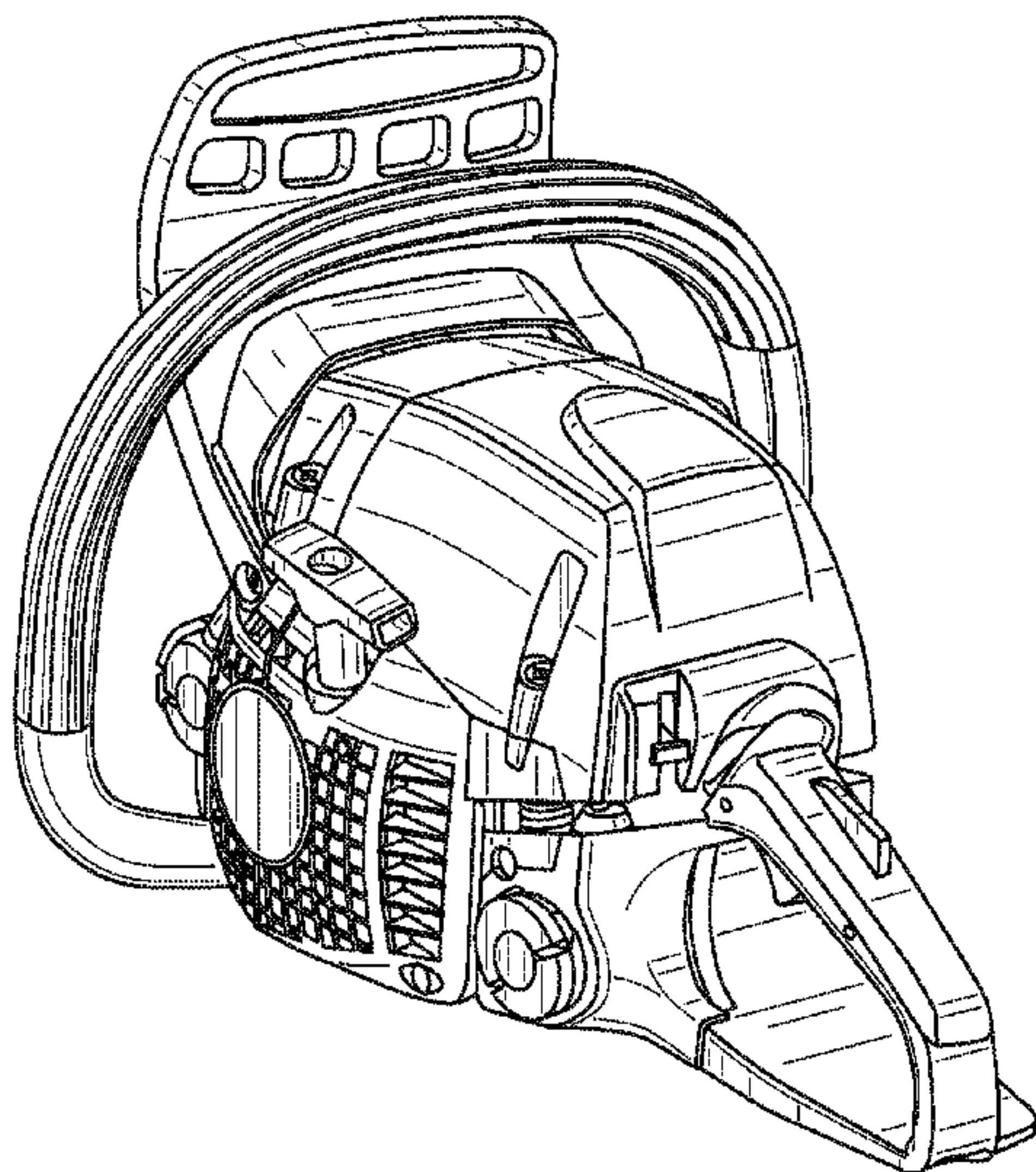
(57) **CLAIM**

I claim the ornamental design for a chain saw, as shown and described.

DESCRIPTION

FIG. 1 is a rear perspective view of the chain saw;
FIG. 2 is a rear view of the design shown in FIG. 1;
FIG. 3 is a front view of the design shown in FIG. 1;
FIG. 4 is a left side view of the design shown in FIG. 1;
FIG. 5 is a right side view of the design shown in FIG. 1;
FIG. 6 is a top view of the design shown in FIG. 1; and,
FIG. 7 is a bottom view of the design shown in FIG. 1.
The broken lines shown in the drawings represent unclaimed portions of the chain saw and form no part of the claimed design.

1 Claim, 7 Drawing Sheets



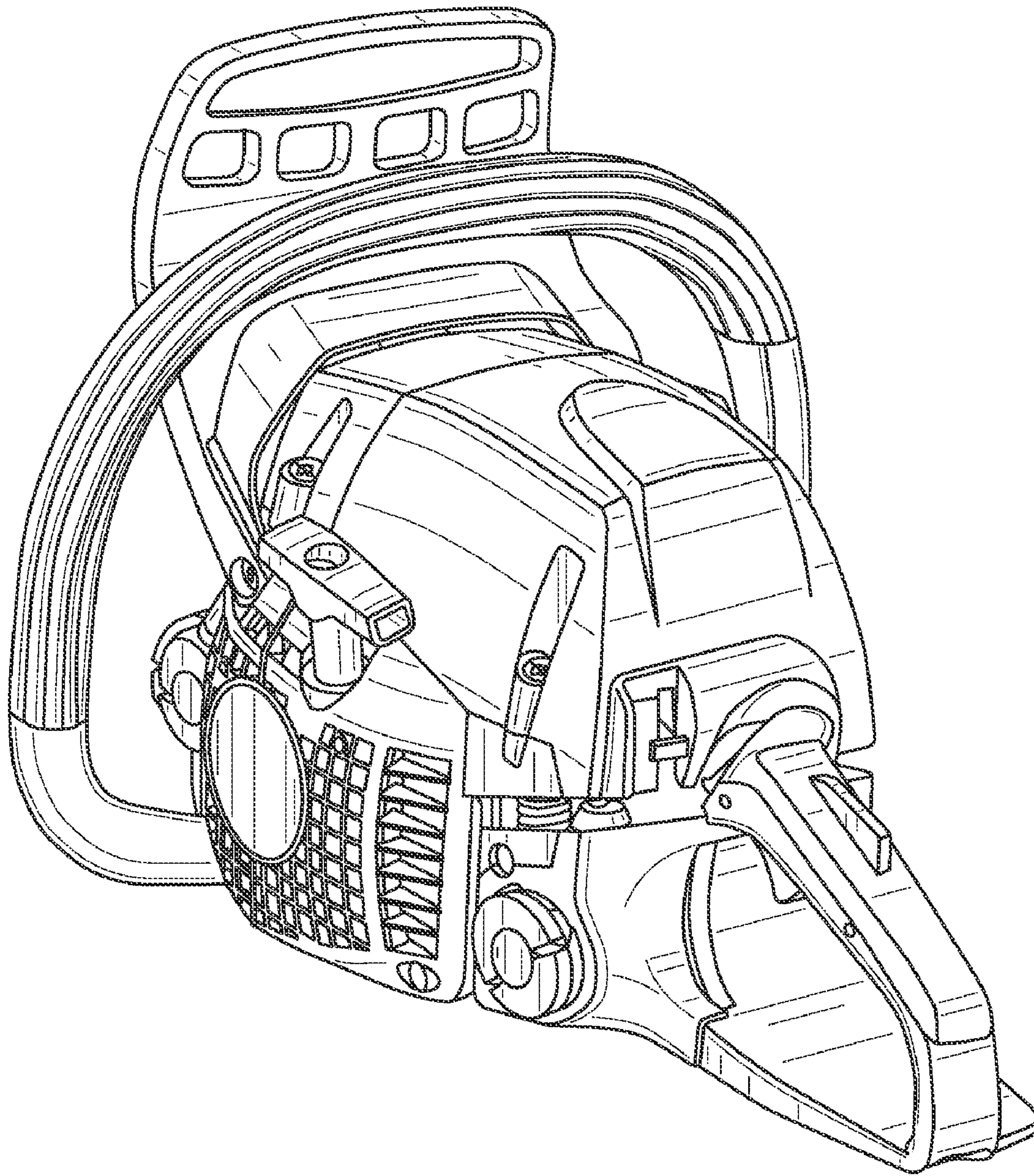


FIG. 1

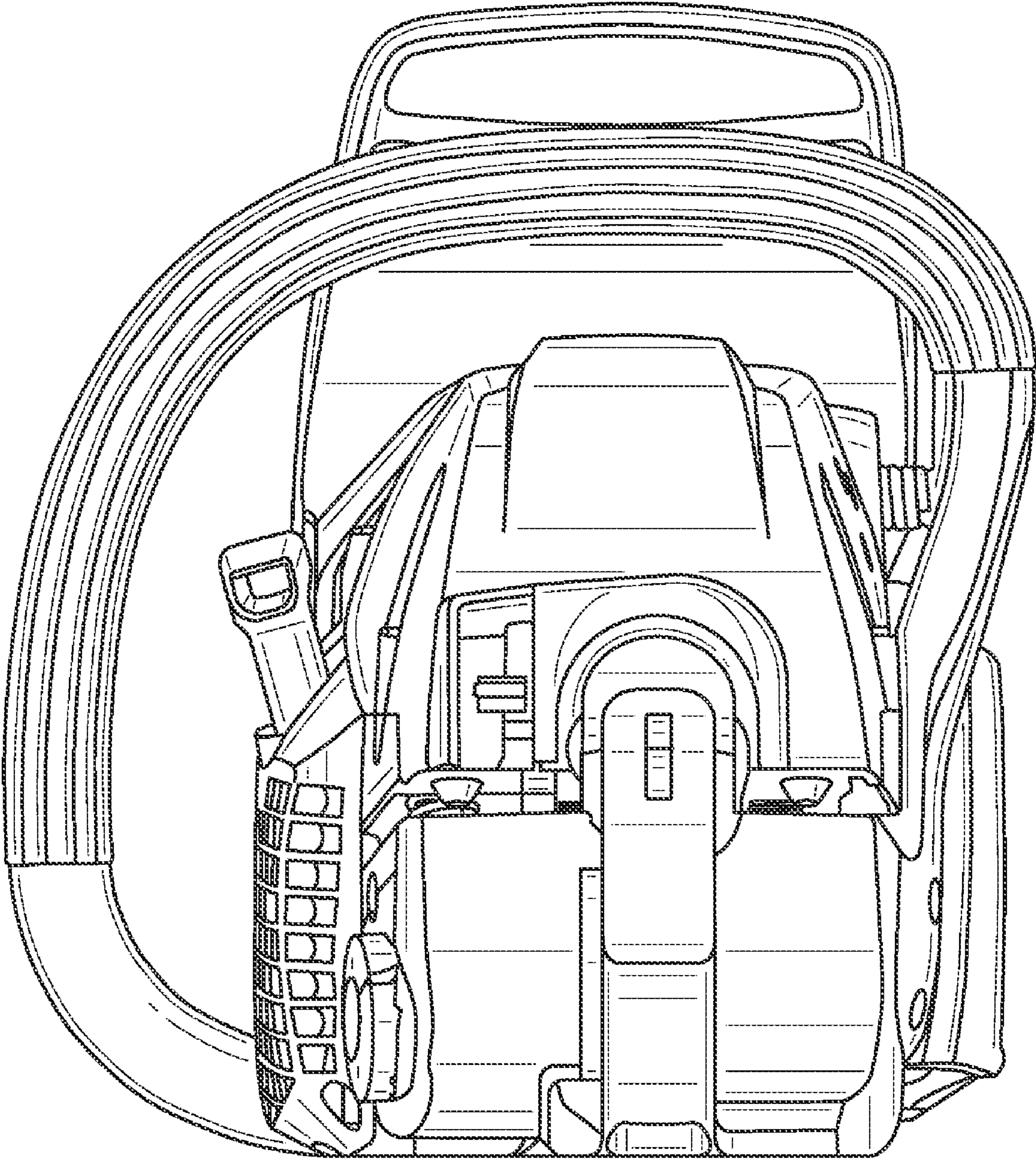


FIG. 2

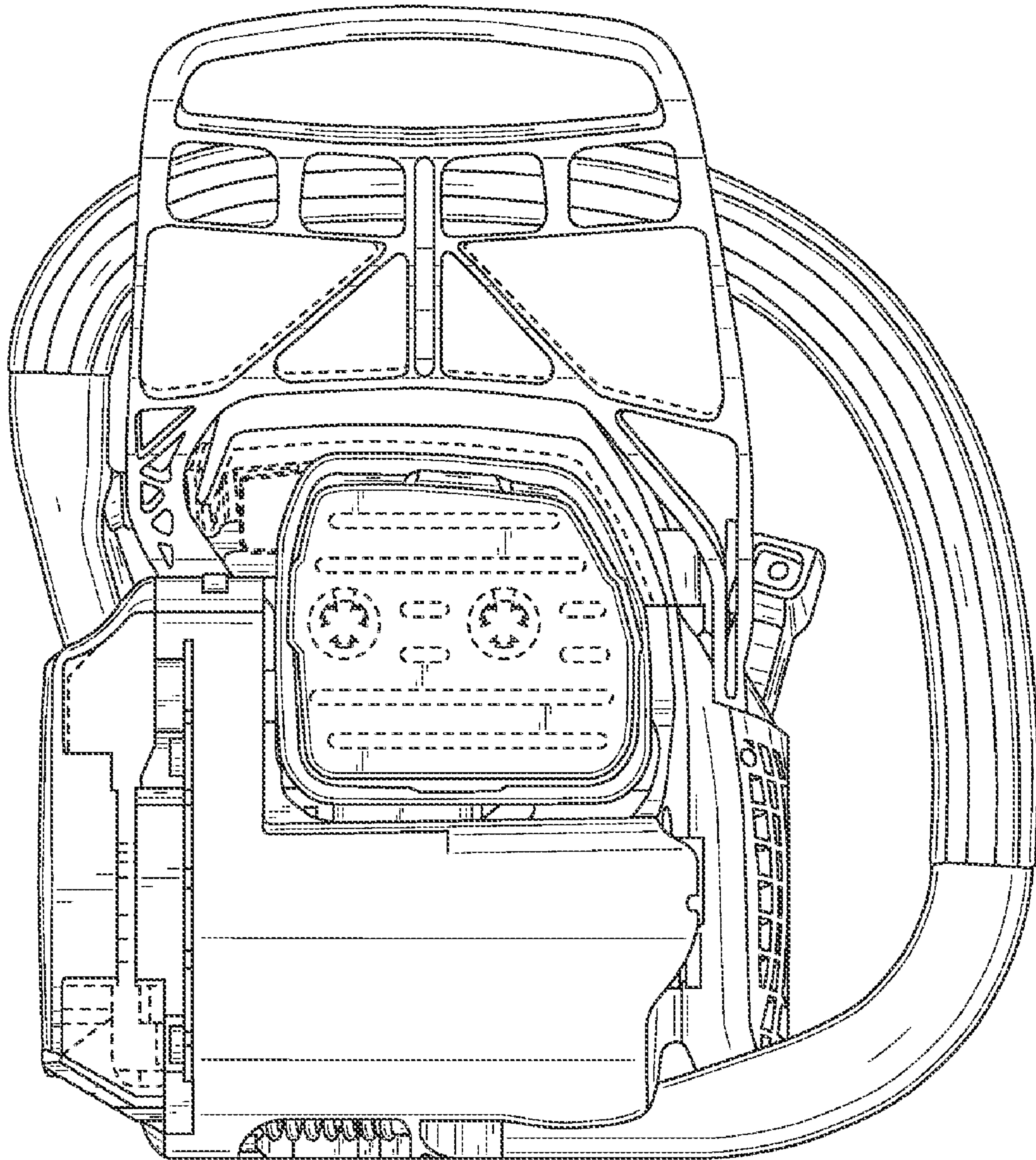


FIG. 3

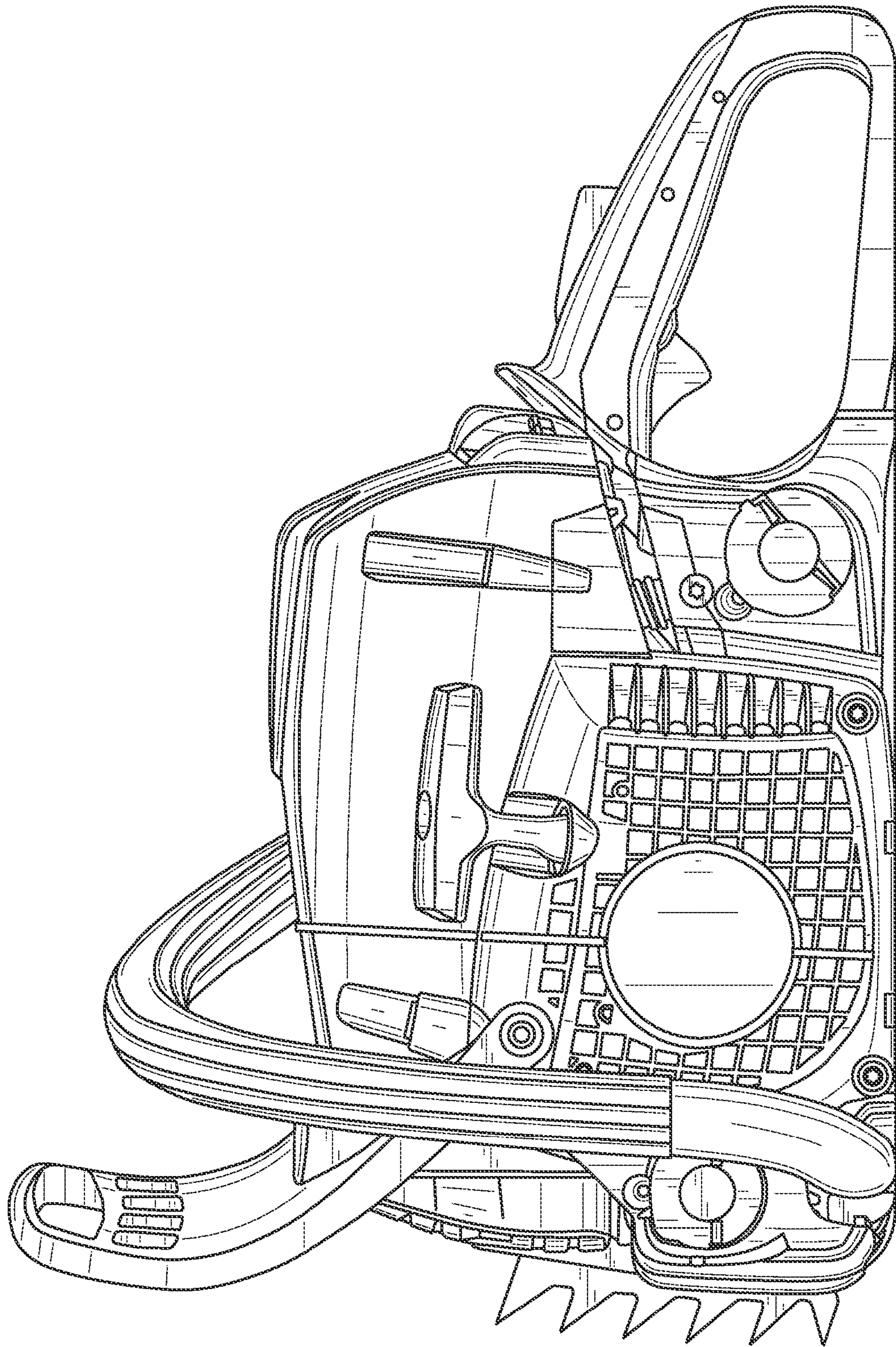


FIG. 4

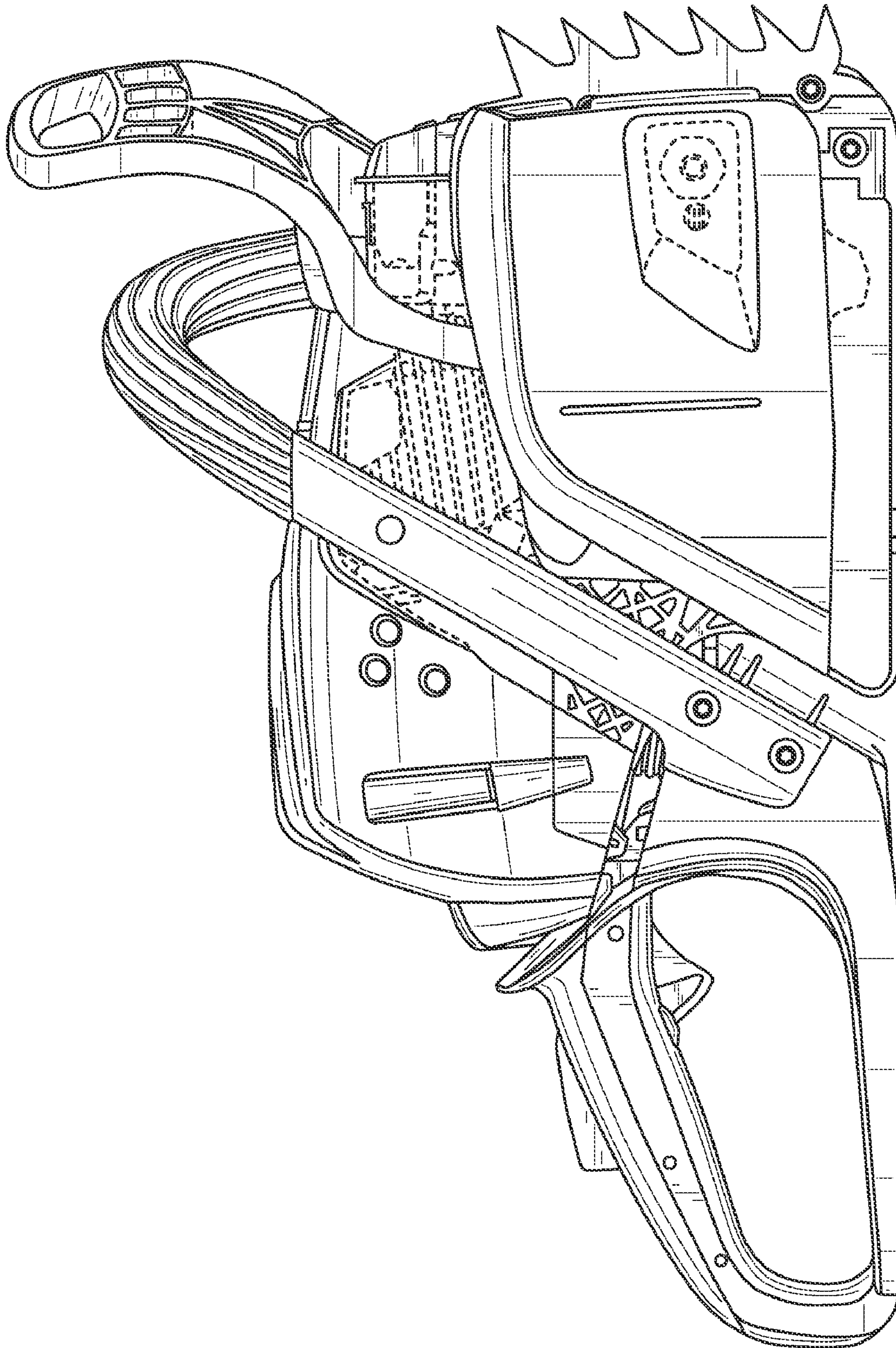


FIG. 5

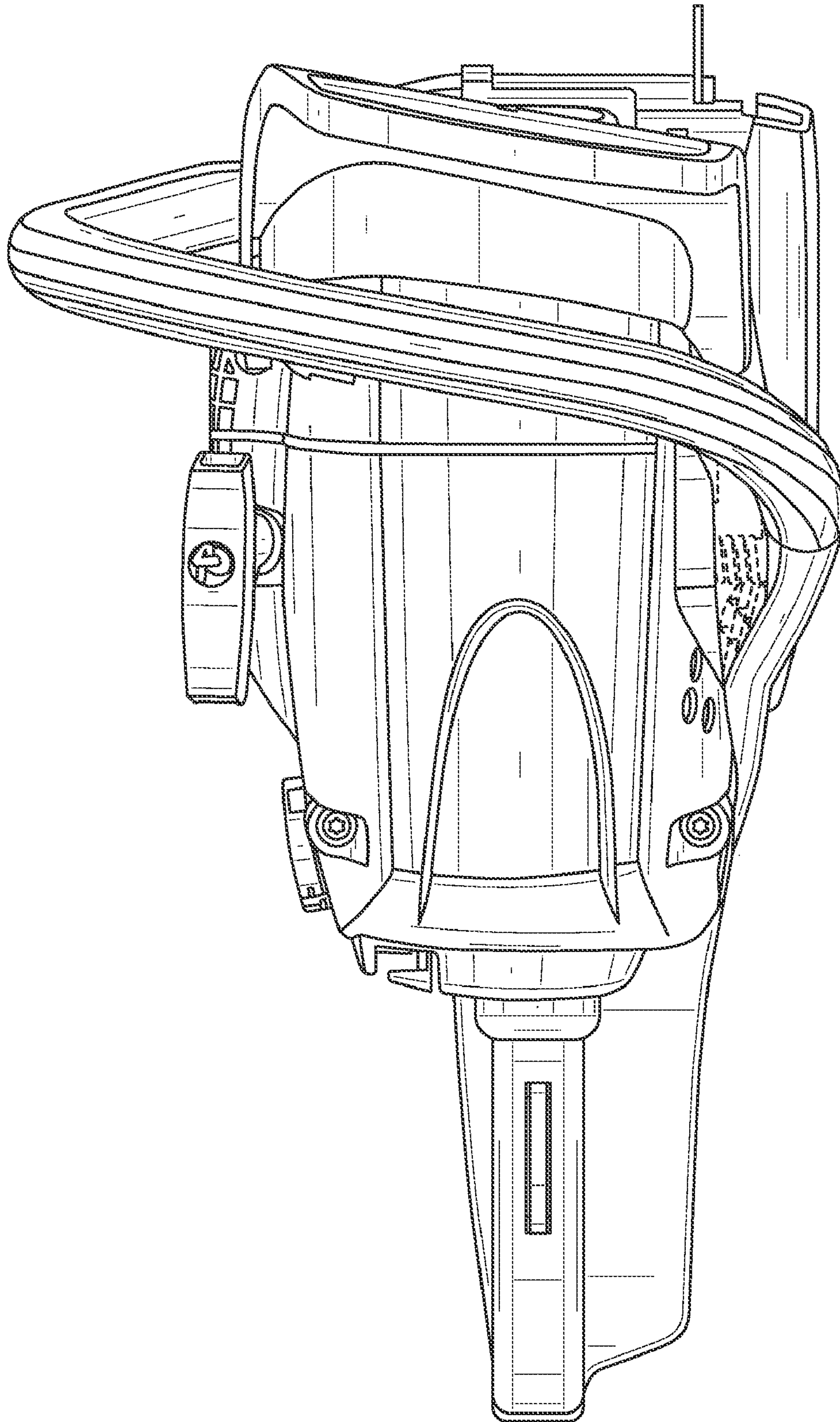


FIG. 6

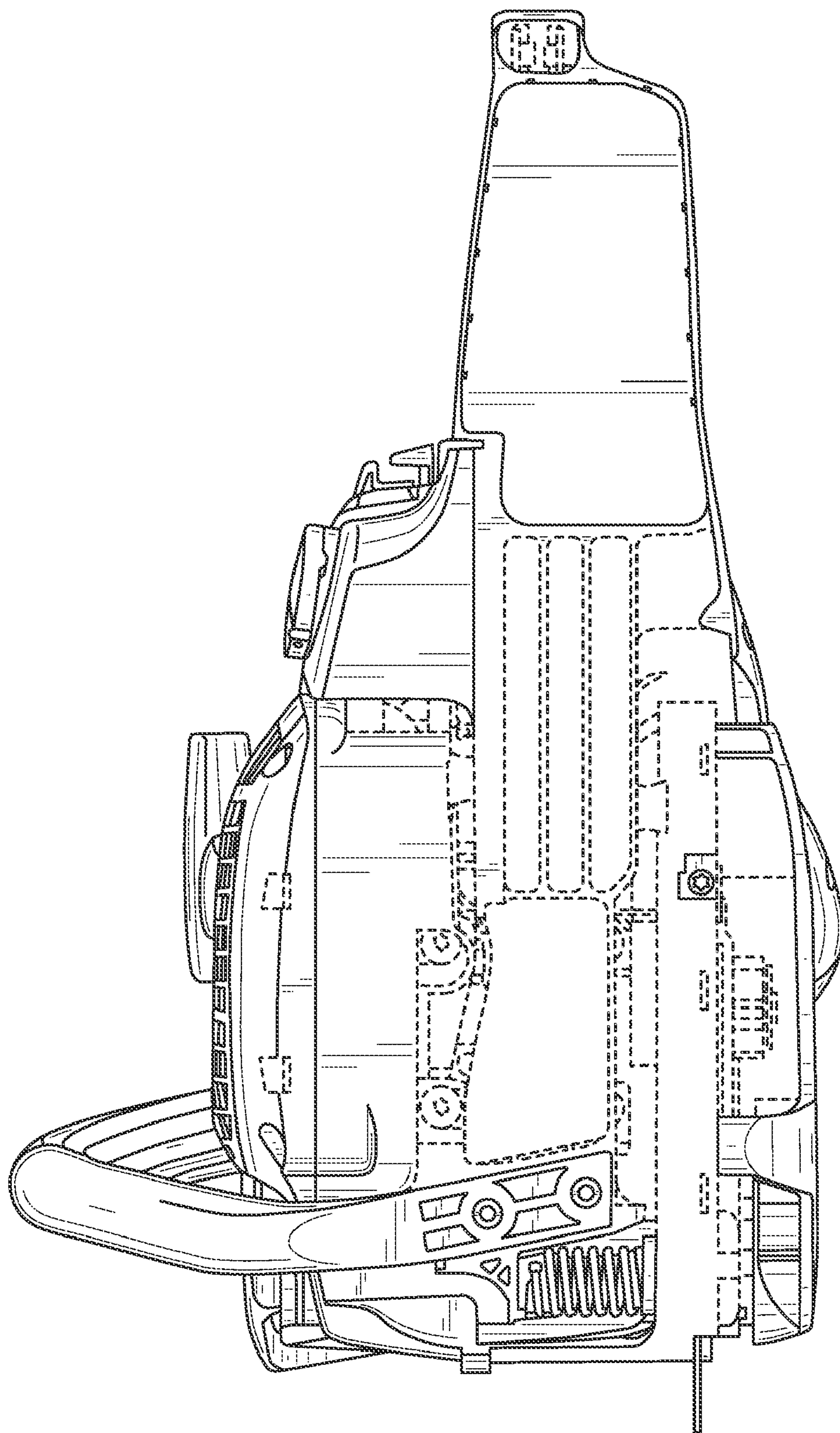


FIG. 7