



US00D649850S

(12) **United States Design Patent**
Liu

(10) **Patent No.:** **US D649,850 S**

(45) **Date of Patent:** **** *Dec. 6, 2011**

(54) **CONNECTING TOOL FOR COAXIAL
TERMINAL**

(75) Inventor: **Jen-Kai Liu**, Taipei Hsien (TW)

(73) Assignee: **Jetool Corporation**, Taipei County
(TW)

(*) Notice: This patent is subject to a terminal disclaimer.

(**) Term: **14 Years**

(21) Appl. No.: **29/343,725**

(22) Filed: **Sep. 17, 2009**

(51) **LOC (9) Cl.** **08-05**

(52) **U.S. Cl.** **D8/56**

(58) **Field of Classification Search** D8/4, 5,
D8/14, 22, 23, 51-56, 58-60, 105-107; 81/300,
81/302, 415-424, 424.5, 426, 426.5, 427,
81/427.5; 72/409.01-409.09, 409.1, 409.11-409.19;
29/744-756

See application file for complete search history.

(56) **References Cited**

U.S. PATENT DOCUMENTS

6,293,004	B1 *	9/2001	Holliday	29/751
6,591,487	B2 *	7/2003	Chang	29/751
6,594,888	B2 *	7/2003	Chang	29/751
6,708,396	B2 *	3/2004	Holliday	29/751

6,732,393	B1 *	5/2004	Liao	29/751
7,096,573	B2 *	8/2006	Holliday	29/751
7,120,997	B2 *	10/2006	Islam et al.	29/751
7,225,532	B2 *	6/2007	Wei	29/761
D594,722	S *	6/2009	Hedrick et al.	D8/56
7,594,315	B2 *	9/2009	Montena	29/751
7,596,860	B2 *	10/2009	Sutter et al.	29/751
7,627,944	B2 *	12/2009	Holliday	29/751
2002/0138975	A1 *	10/2002	Chang	29/751
2006/0026823	A1 *	2/2006	Wei	29/750
2006/0032048	A1 *	2/2006	Liao et al.	29/750
2008/0010825	A1 *	1/2008	Chawgo	29/748

* cited by examiner

Primary Examiner — Cathron C Brooks

Assistant Examiner — Deanna Fluegeman

(74) *Attorney, Agent, or Firm* — Leong C. Lei

(57) **CLAIM**

The ornamental design for a connecting tool for coaxial terminal, as shown and described.

DESCRIPTION

FIG. 1 is a perspective view of a connecting tool for coaxial terminal showing my new design

FIG. 2 is a front elevational view thereof

FIG. 3 is a rear elevational view thereof.

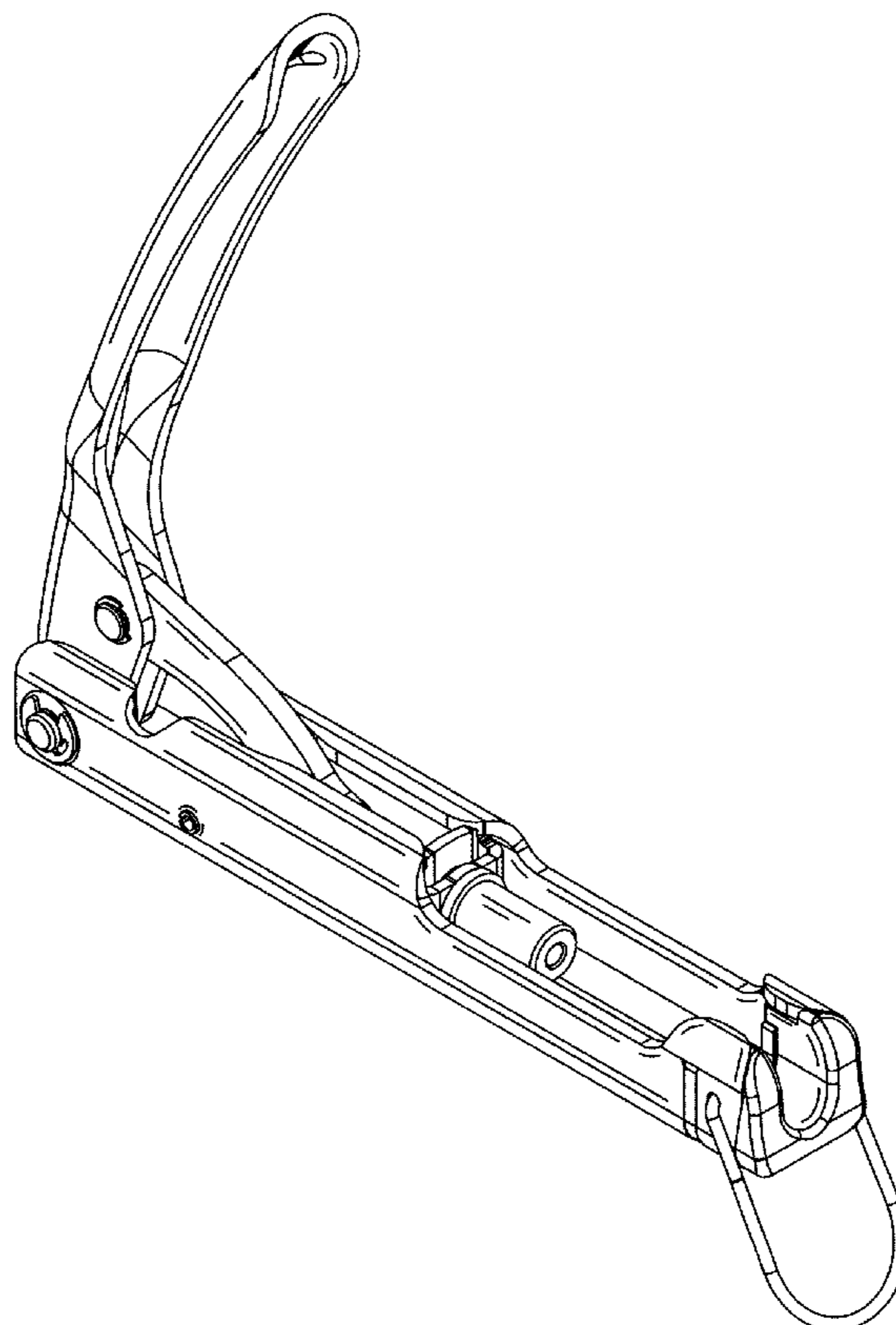
FIG. 4 is a left side view thereof

FIG. 5 is a right side view thereof

FIG. 6 is a top plan view thereof; and,

FIG. 7 is a bottom plan view thereof.

1 Claim, 7 Drawing Sheets



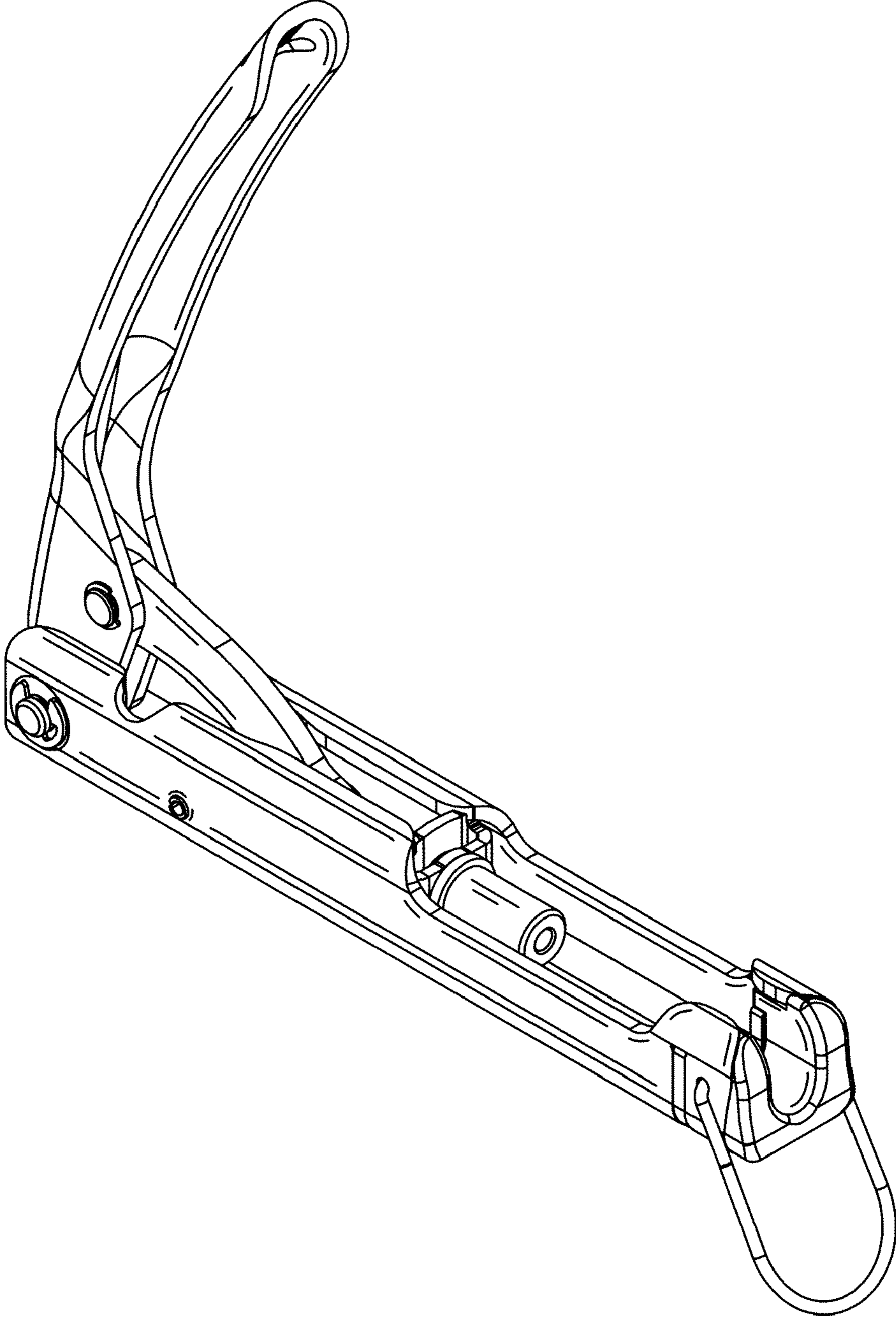


Fig. 1

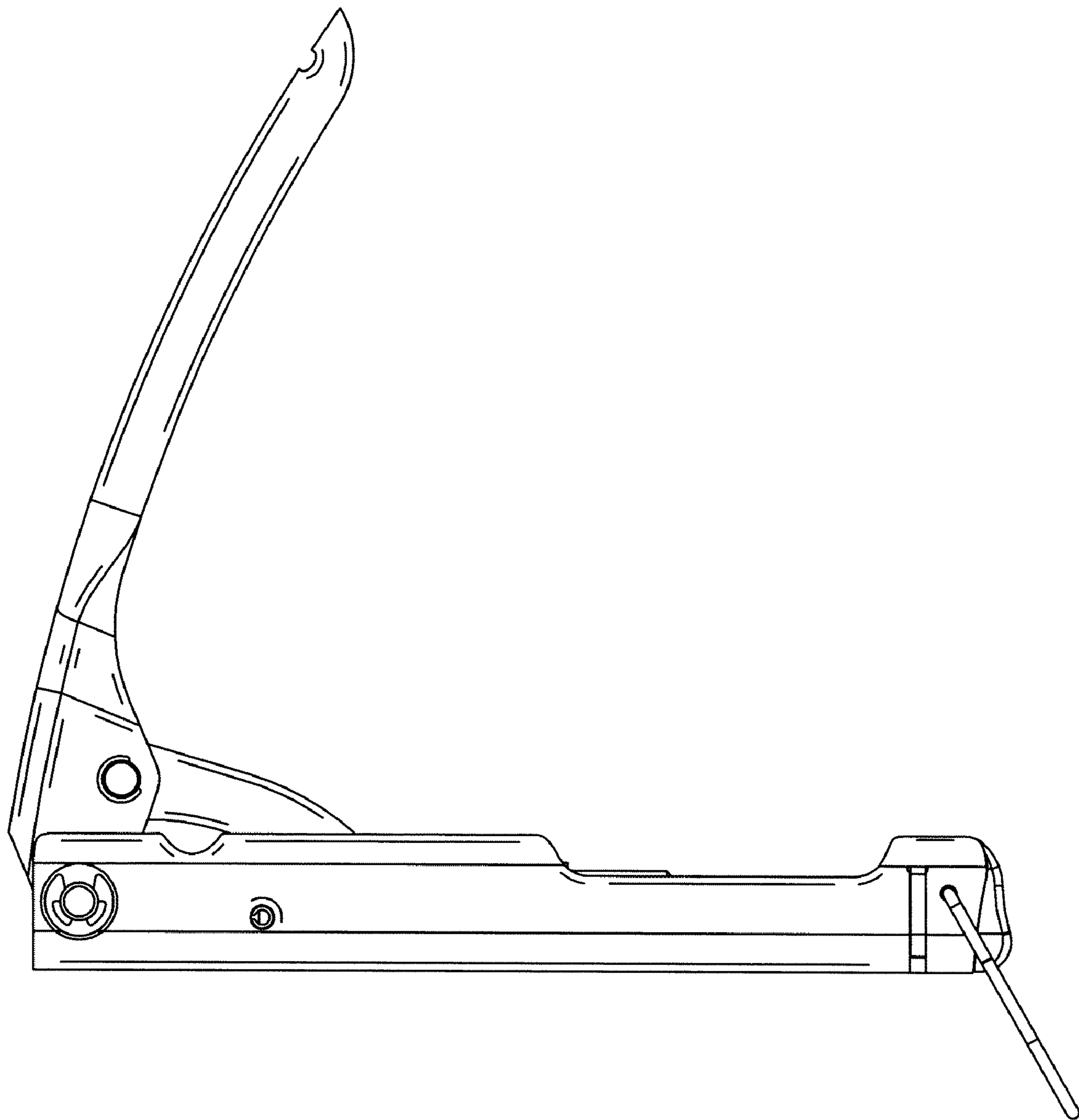


Fig. 2

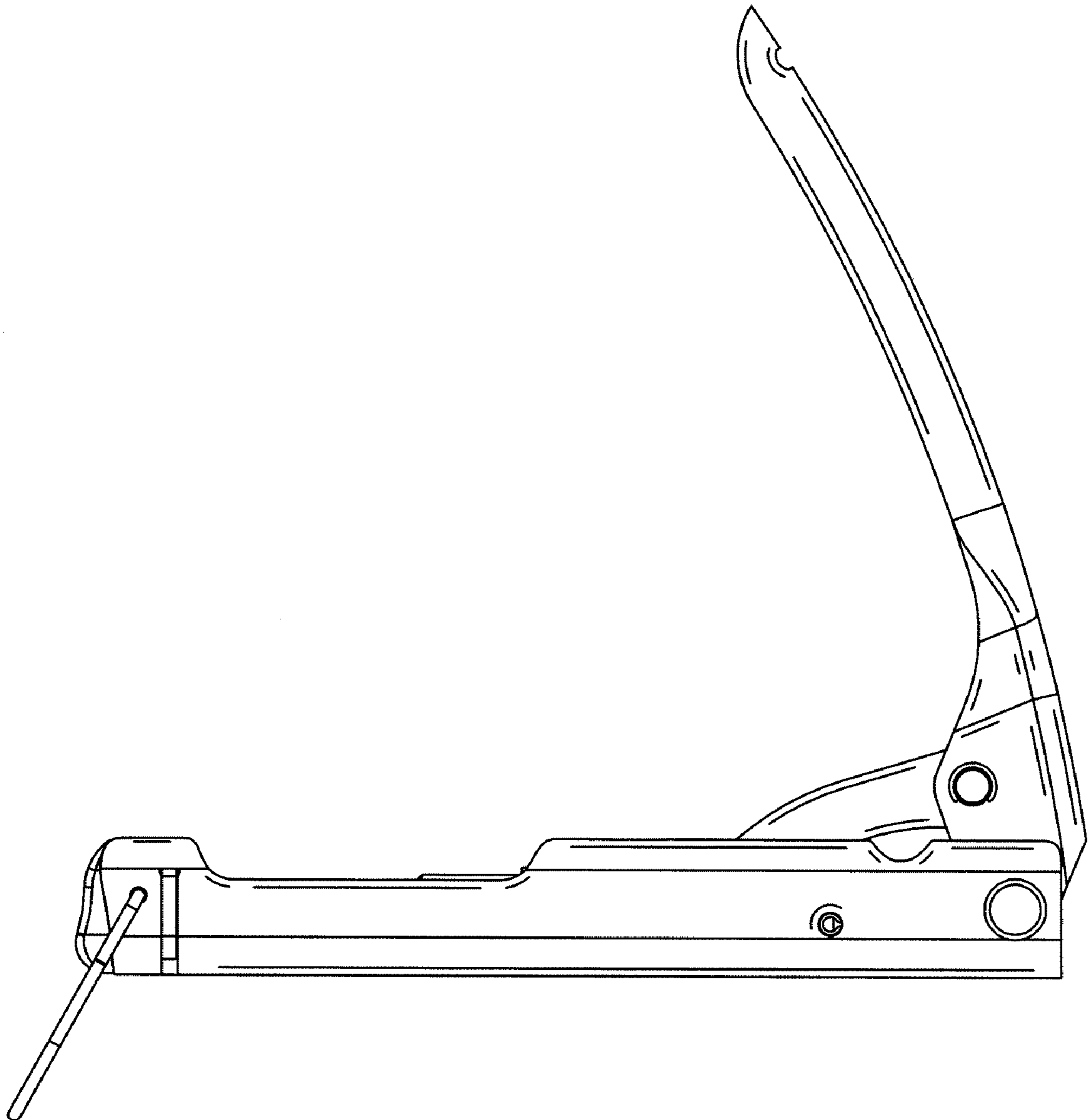


Fig. 3

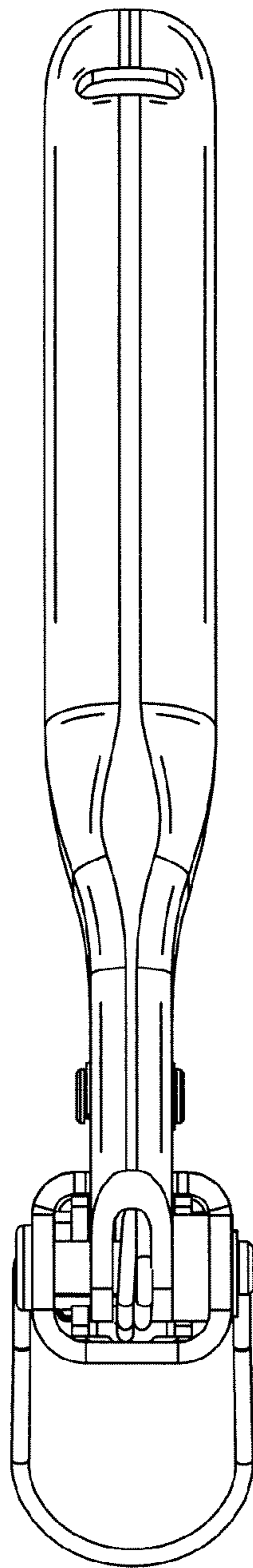


Fig. 4

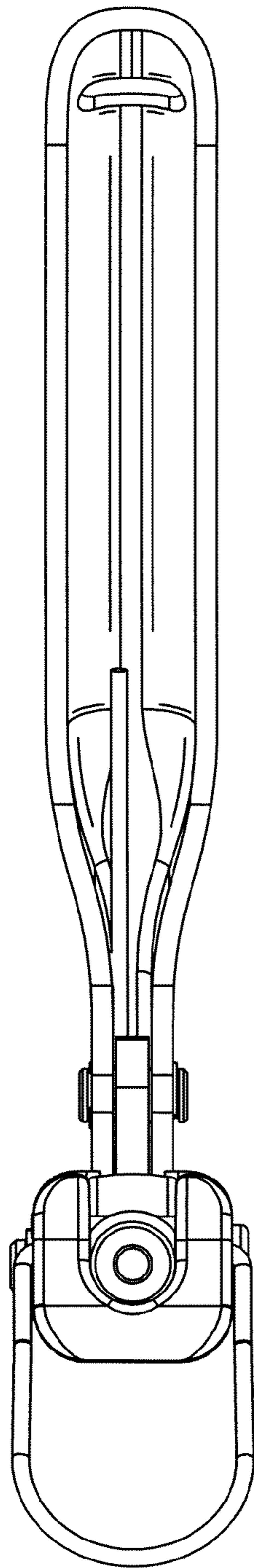


Fig. 5

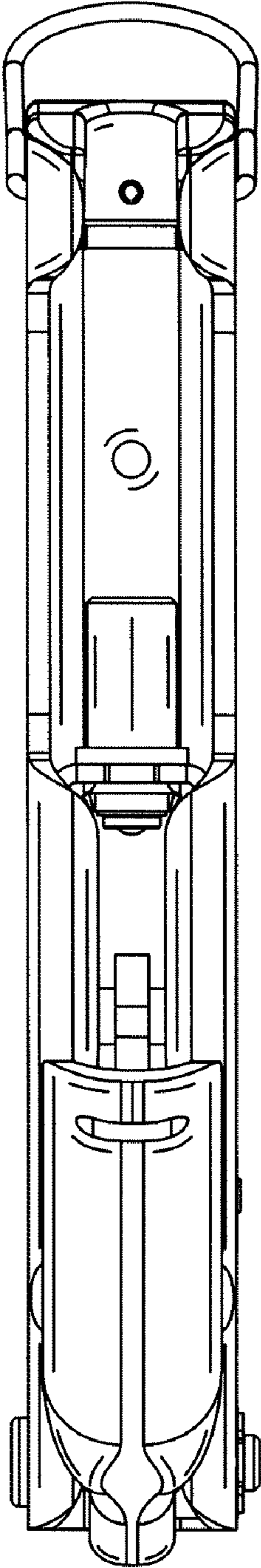


Fig.6

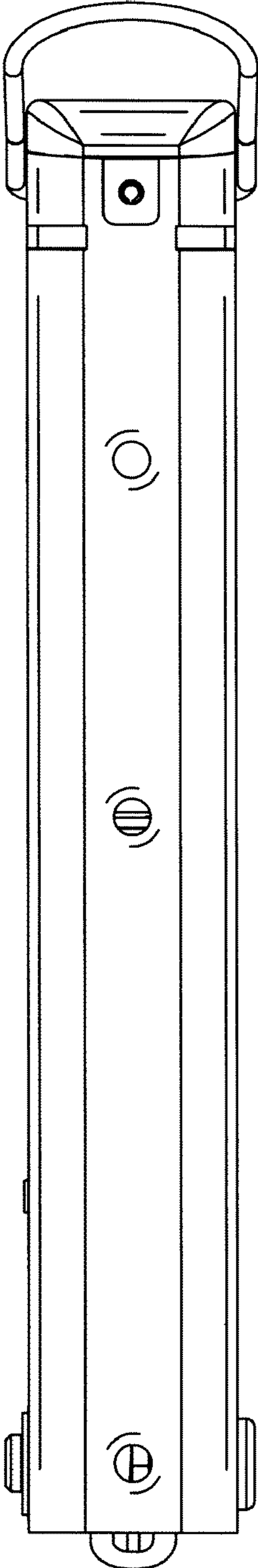


Fig. 7