



US00D649849S

(12) **United States Design Patent**  
**Bates et al.**

(10) **Patent No.:** **US D649,849 S**

(45) **Date of Patent:** **\*\* \*Dec. 6, 2011**

(54) **BOTTLE OPENER**

(75) Inventors: **Mark R. Bates**, Hillsboro, OR (US);  
**Leisa Marie Bates**, Hillsboro, OR (US)

(73) Assignee: **Bellasvago Enterprises Ltd.**, Portland,  
OR (US)

(\*) Notice: This patent is subject to a terminal dis-  
claimer.

(\*\*) Term: **14 Years**

(21) Appl. No.: **29/355,772**

(22) Filed: **Feb. 12, 2010**

(51) **LOC (9) Cl.** ..... **07-99**

(52) **U.S. Cl.** ..... **D8/40; D8/43**

(58) **Field of Classification Search** ..... D8/14,  
D8/16-19, 33-43, 88, 89, 105, 107; 7/113,  
7/151-156; 30/400-410, 416-430, 433,  
30/434, 443, 450; 81/3.07, 3.09, 3.2, 3.27,  
81/3.29, 3.31, 3.35, 3.37, 3.4, 3.45, 3.48,  
81/3.49, 3.55

See application file for complete search history.

(56) **References Cited**

**U.S. PATENT DOCUMENTS**

D289,361	S	*	4/1987	Powis, Jr.	.....	D8/18
D406,222	S	*	3/1999	Wong	.....	D8/40
D410,180	S	*	5/1999	So	.....	D8/39
D472,118	S	*	3/2003	Kehoe	.....	D8/39
D501,772	S	*	2/2005	Overthun et al.	.....	D8/40
D501,773	S	*	2/2005	Kohn	.....	D8/40
D557,090	S	*	12/2007	Raia	.....	D8/38
D568,127	S	*	5/2008	Oas	.....	D8/34
D591,118	S	*	4/2009	Eide et al.	.....	D8/40
D605,011	S	*	12/2009	Jalet	.....	D8/41

**OTHER PUBLICATIONS**

The ODM Group, "The Butterfly—for screwtop wine," webpage:  
<http://theodmgroup.com/2009/10/20/the-butterfly/>, Oct. 20, 2009.  
Robert P. Farmer, "Seeking Closure, A Bottle Top Overcomes Its  
Screwed Up Rep," WineCountry.com network, [http://www.winecountry.com/writers/w003/052907\\_RF\\_screwtops.html](http://www.winecountry.com/writers/w003/052907_RF_screwtops.html).  
Wine Fritz, "Wine Fritz Tool: A New Twist on Screw Caps," <http://winefritz.com/>.  
Wineopeners.com, Waiter's Pal Screw Cap Corkscrew, webpage:  
[http://www.wineopeners.com/products/Waiter\\_s\\_Pal\\_Screw\\_Cap\\_Corkscrew-58-13.html](http://www.wineopeners.com/products/Waiter_s_Pal_Screw_Cap_Corkscrew-58-13.html).

\* cited by examiner

*Primary Examiner* — Garth Rademaker

(74) *Attorney, Agent, or Firm* — Davis Wright Tremaine  
LLP

(57) **CLAIM**

The ornamental design for a bottle opener, as shown and  
described.

**DESCRIPTION**

FIG. 1 is a perspective view of a bottle opener, showing our  
new design.

FIG. 2 is a top plan view thereof;

FIG. 3 is a bottom plan view thereof;

FIG. 4 is a rear elevation view thereof;

FIG. 5 is a front elevation view thereof;

FIG. 6 is a left side elevation view thereof, shown at an  
enlarged scale; and,

FIG. 7 is a right side elevation view thereof, shown at an  
enlarged scale.

The double dot-dashed broken lines show a corkscrew, a  
knife, a bottle cap opener, and interior gripping elements,  
none of which form a part of the claimed design.

**1 Claim, 3 Drawing Sheets**

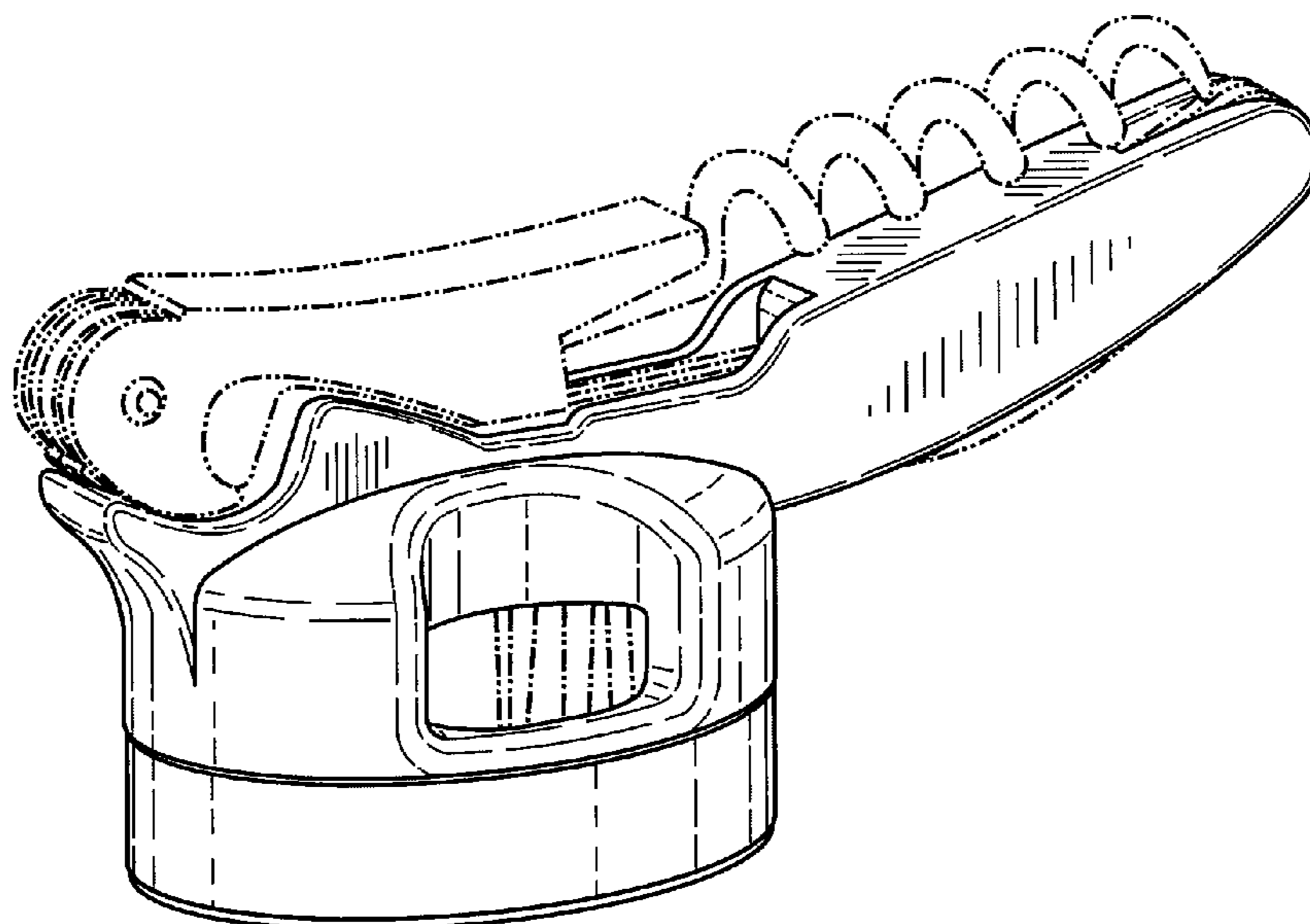


Fig. 1

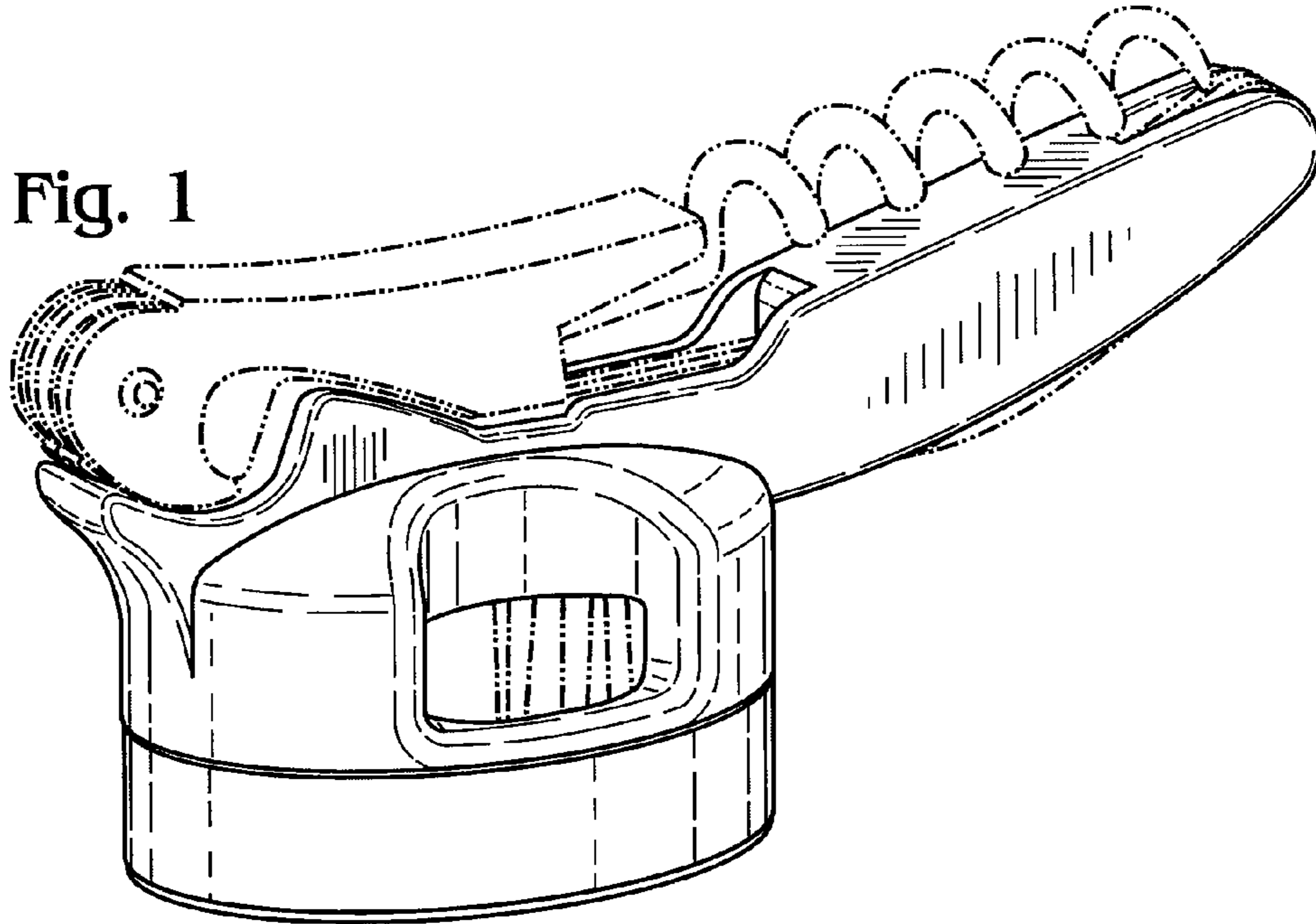


Fig. 2

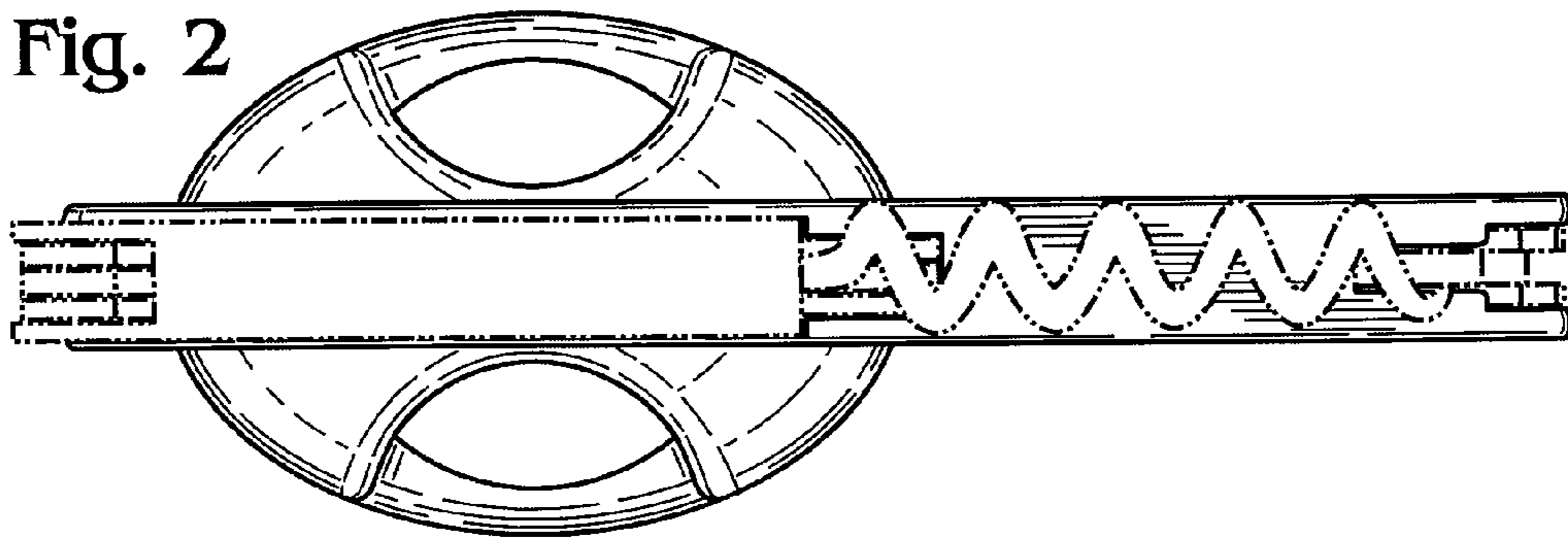


Fig. 3

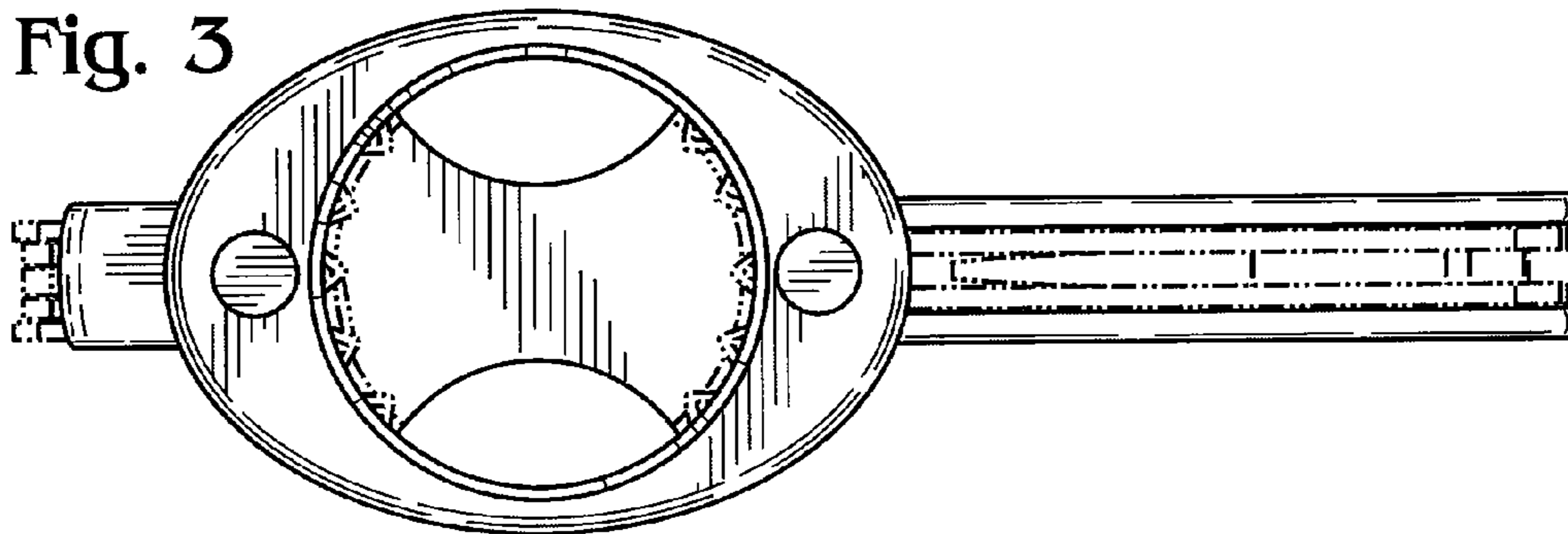


Fig. 4

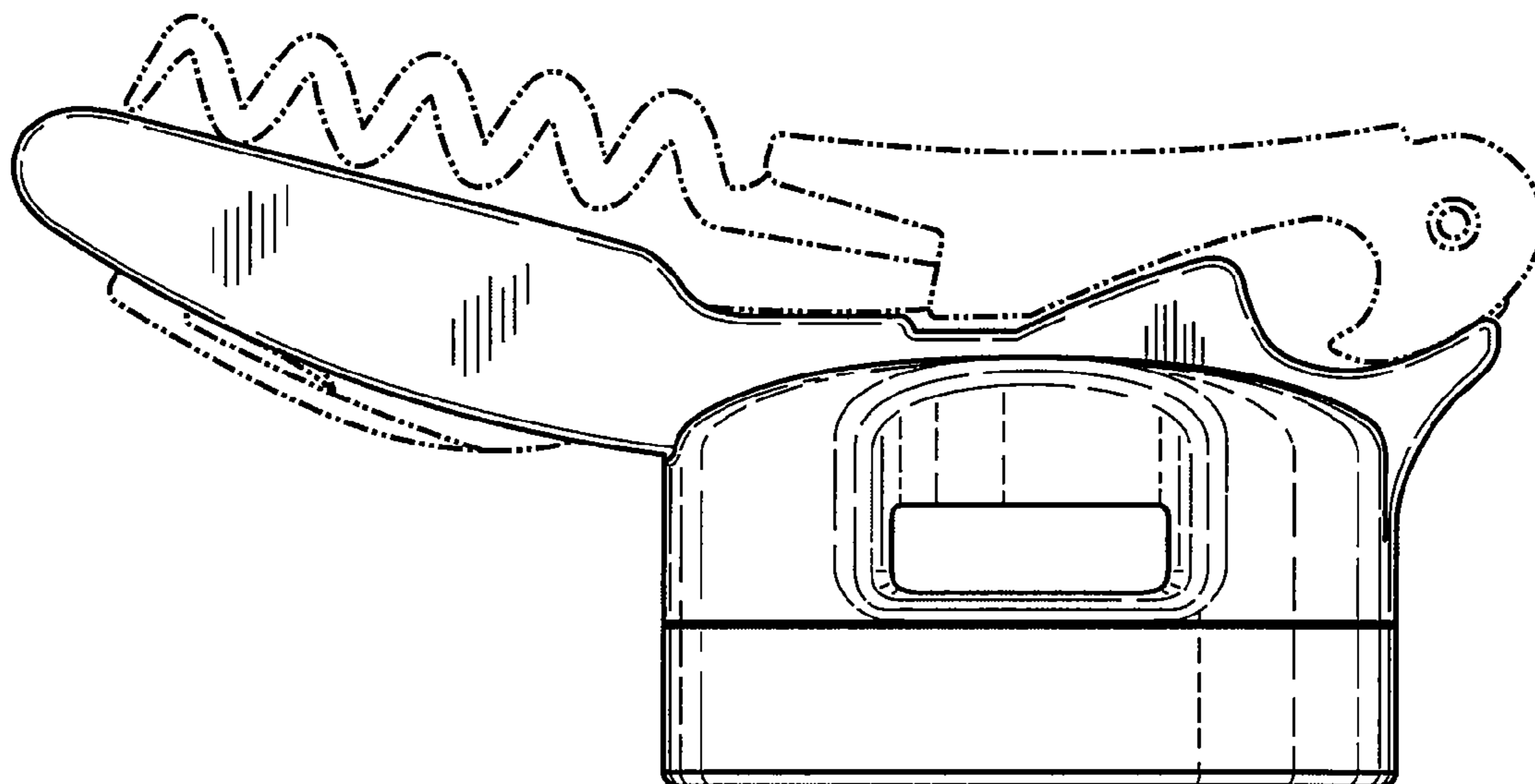
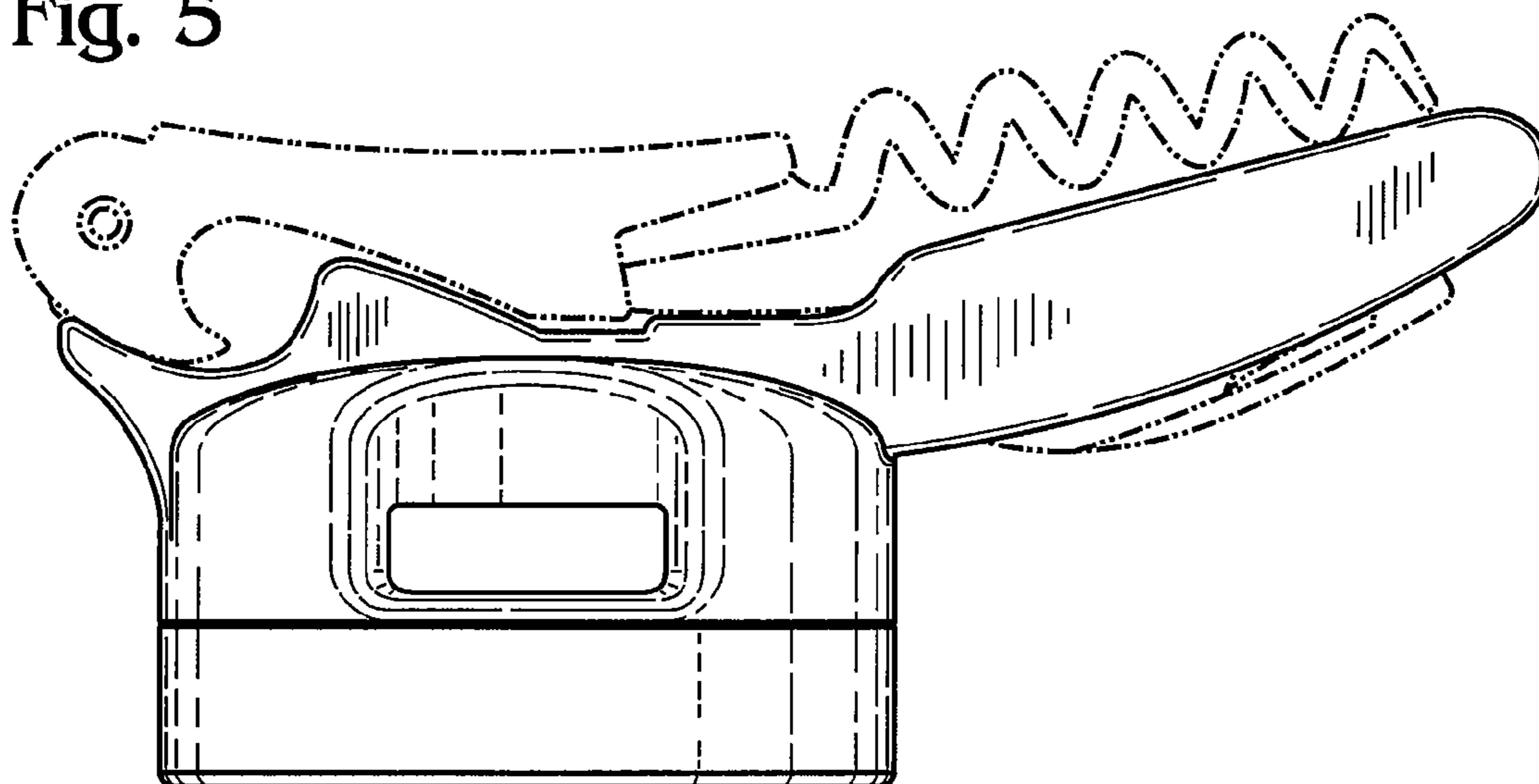


Fig. 5



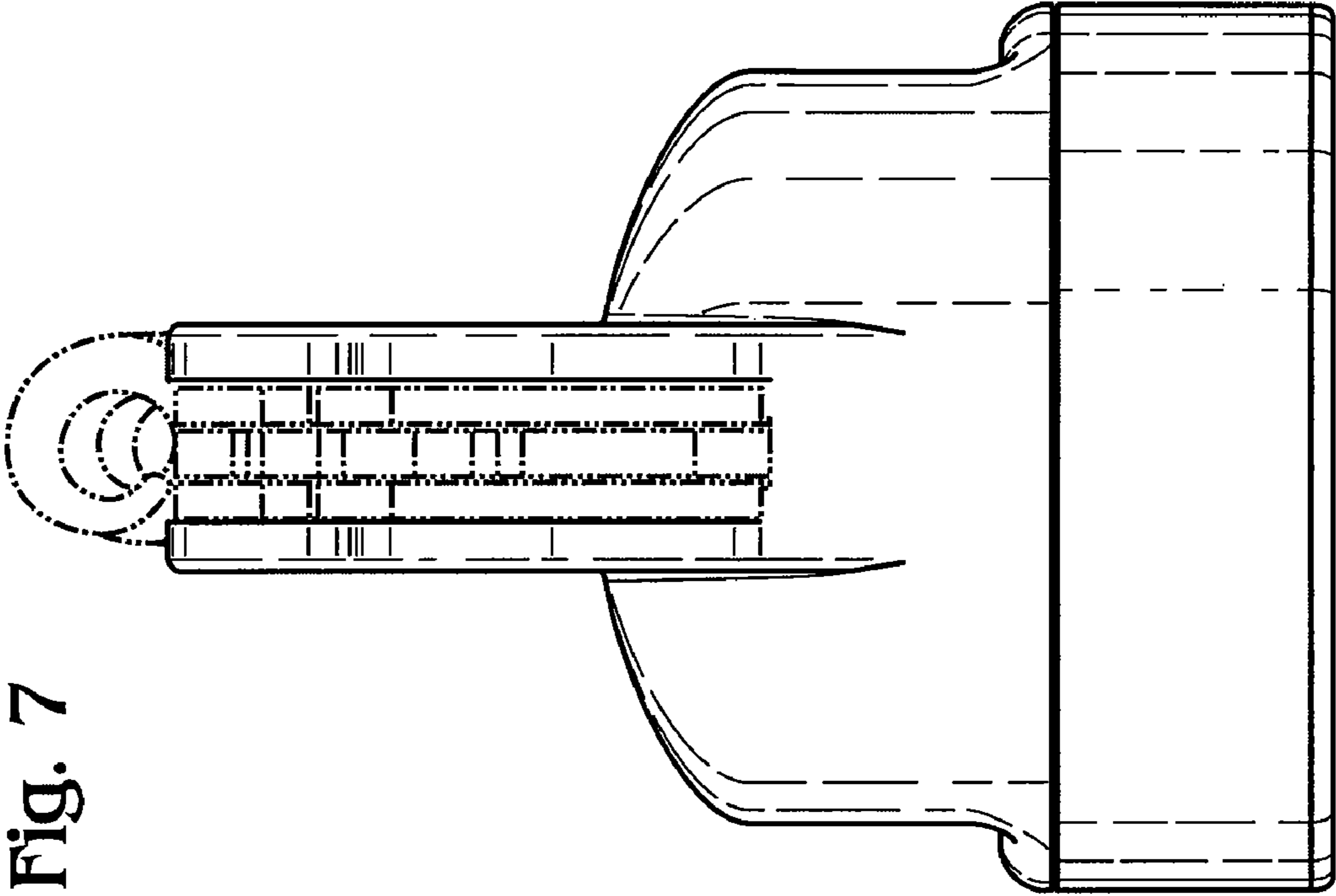


Fig. 7

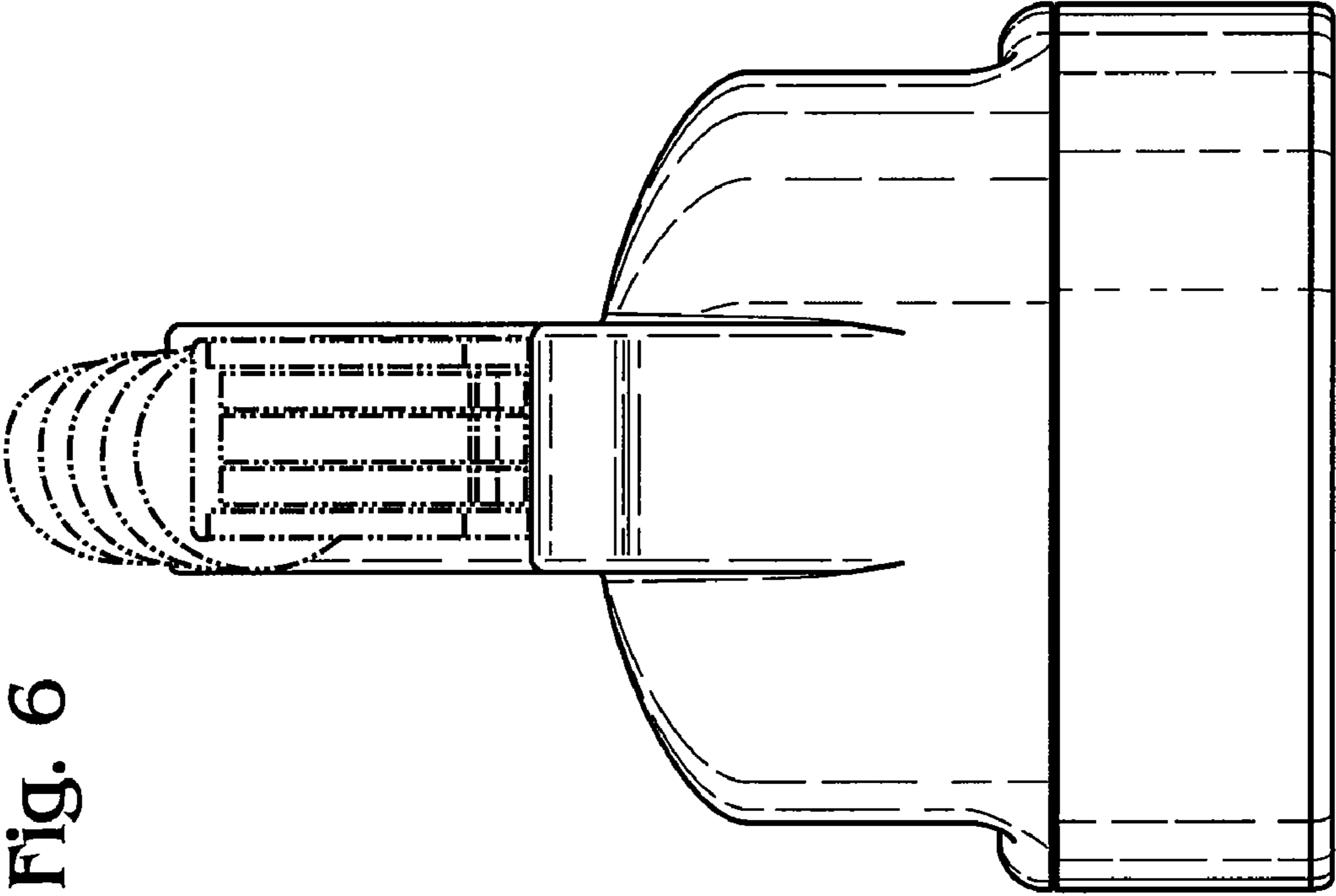


Fig. 6