

US00D649848S

(12) **United States Design Patent**
Wegerich

(10) **Patent No.:** **US D649,848 S**

(45) **Date of Patent:** **** Dec. 6, 2011**

(54) **RATCHETING WRENCH FOR DAMAGED BOLT HEADS AND NUTS**

(76) Inventor: **Jonathan Wegerich**, Hobart, IN (US)

(**) Term: **14 Years**

(21) Appl. No.: **29/387,712**

(22) Filed: **Mar. 17, 2011**

(51) **LOC (9) Cl.** **08-05**

(52) **U.S. Cl.** **D8/25**

(58) **Field of Classification Search** D8/17,
D8/21-29, 97, 107; 81/60, 177.1, 177.85,
81/121.1, 124.3, 165-170, 110.1, 176.2,
81/124.6, 176.1, 176.15, 177.2, 186; 16/110.1;
D15/144.1; 219/75, 227, 229, 121.16, 121.18
See application file for complete search history.

6,536,309	B1 *	3/2003	Pool	81/53.2
6,598,498	B1 *	7/2003	Pigford et al.	81/53.2
D504,057	S *	4/2005	Tuanmu	D8/25
6,912,937	B2	7/2005	Tuanmu		
7,152,508	B2 *	12/2006	McCalley et al.	81/53.2
7,523,688	B2 *	4/2009	Putney et al.	76/114
2005/0150331	A1 *	7/2005	Horobec	81/53.2
2007/0204727	A1 *	9/2007	Lee et al.	81/177.9
2010/0326246	A1 *	12/2010	Chang	81/60

* cited by examiner

Primary Examiner — Raphael Barkai

Assistant Examiner — Randall H Gholson

(57) **CLAIM**

The ornamental design for a ratcheting wrench for damaged bolt heads and nuts, as shown and described.

DESCRIPTION

FIG. 1 is a perspective view of a ratcheting wrench for damaged bolt heads and nuts, showing my new design;

FIG. 2 is a front view thereof;

FIG. 3 is a rear view of thereof;

FIG. 4 is a left side view thereof with right side view being a minor image; and,

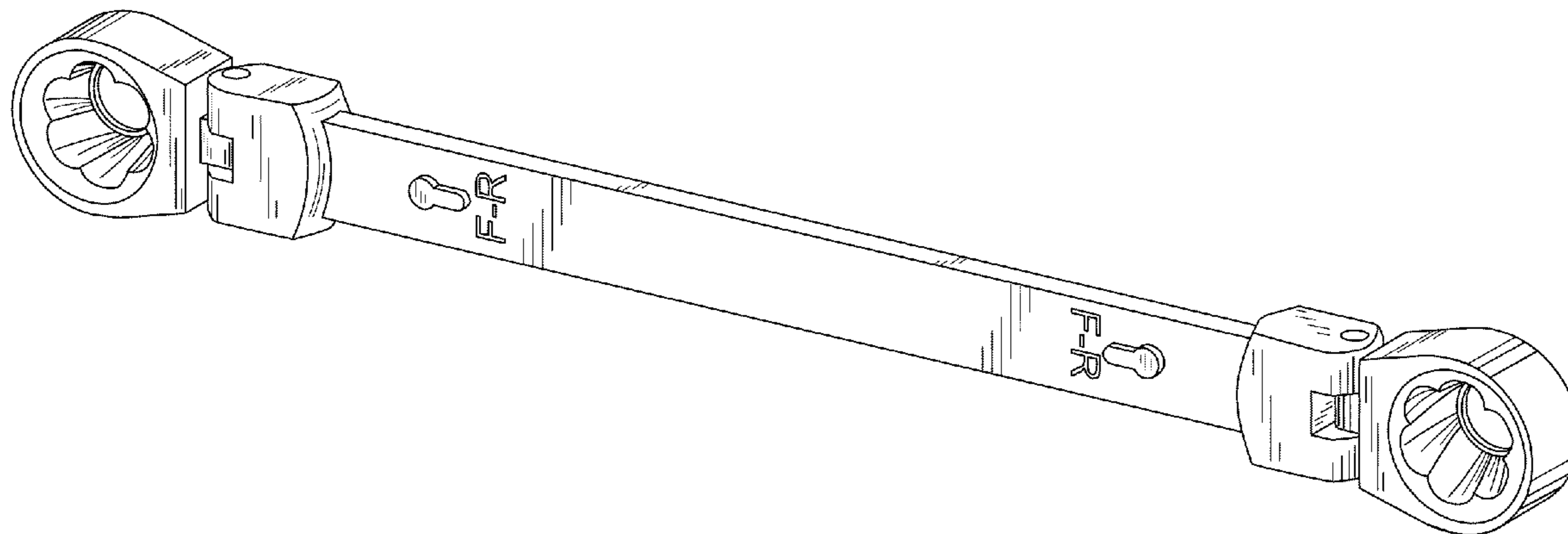
FIG. 5 is a top view thereof with a bottom view being a mirror image.

1 Claim, 5 Drawing Sheets

(56) **References Cited**

U.S. PATENT DOCUMENTS

4,280,379	A	7/1981	Chow	
4,308,769	A	1/1982	Rantanen	
4,607,547	A	8/1986	Martus	
4,970,917	A	11/1990	McCollom	
5,904,076	A *	5/1999	Siwy 81/121.1
6,003,411	A *	12/1999	Knox et al. 81/53.2
6,047,620	A *	4/2000	Kozak et al. 81/441
D459,960	S *	7/2002	Wei D8/25
D465,707	S *	11/2002	Chen D8/28



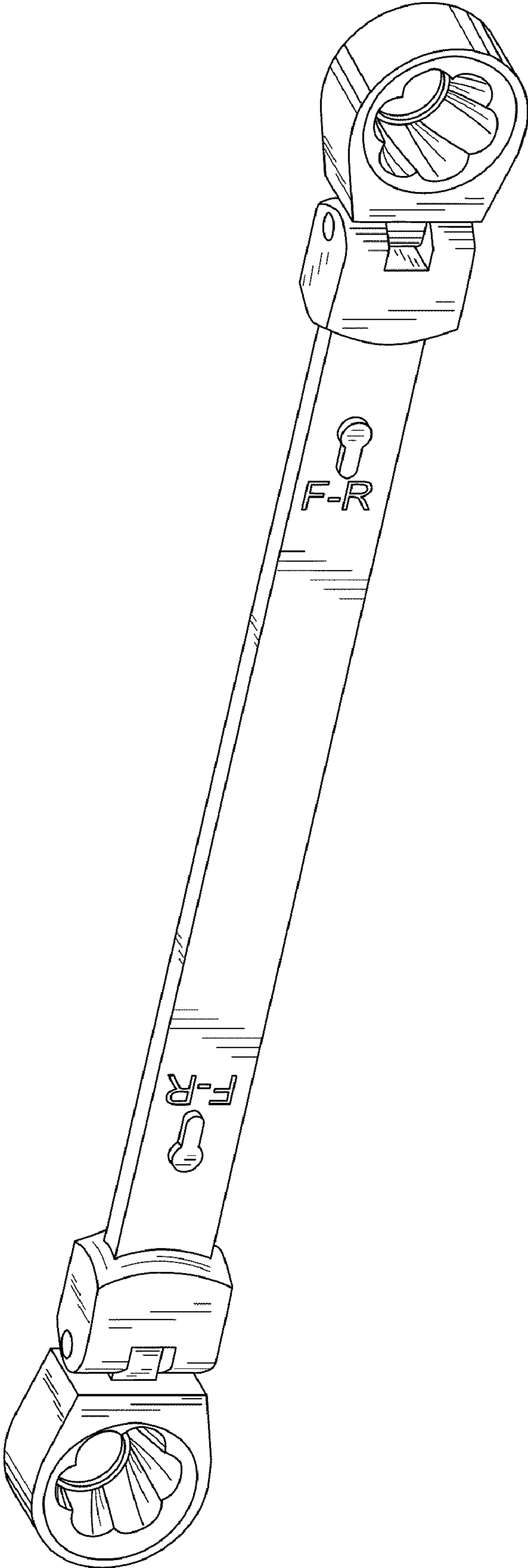


Fig. 1

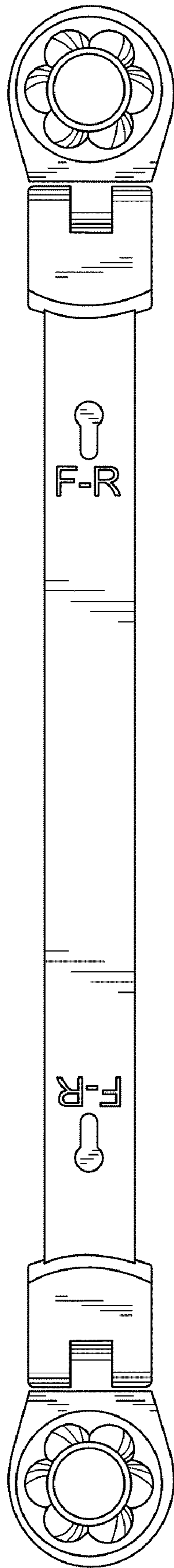


Fig. 2

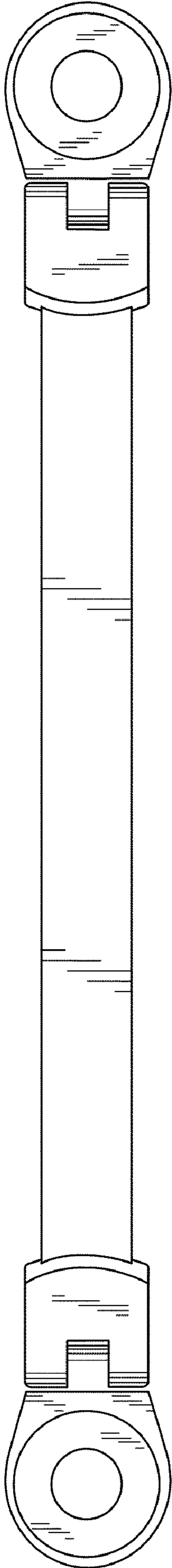


Fig. 3



Fig. 4

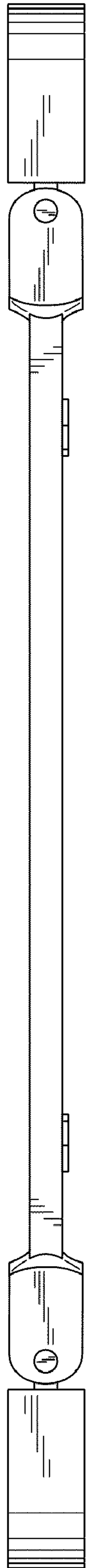


Fig. 5