



US00D649847S

(12) **United States Design Patent**
Zagula

(10) **Patent No.:** **US D649,847 S**

(45) **Date of Patent:** **** Dec. 6, 2011**

(54) **INSULATION REMOVAL TOOL**

(75) Inventor: **Tadeusz Zagula**, Newington, CT (US)

(73) Assignee: **Capewell Components Company, LLC**, Cromwell, CT (US)

(**) Term: **14 Years**

(21) Appl. No.: **29/367,018**

(22) Filed: **Aug. 2, 2010**

(51) **LOC (9) Cl.** **08-05**

(52) **U.S. Cl.** **D8/14; D8/51; D8/98**

(58) **Field of Classification Search** D8/14,
D8/30, 48-52, 98; 30/90.1, 90.3, 90.4, 90.6-90.9;
81/9.4, 9.41-9.44; 83/861

See application file for complete search history.

(56) **References Cited**

U.S. PATENT DOCUMENTS

2,778,105	A *	1/1957	Carta	30/90.7
3,057,232	A *	10/1962	Cornell, Jr.	30/90.1
3,599,514	A *	8/1971	Fornkahl	30/90.6
3,722,092	A *	3/1973	Lukas	30/90.9
3,978,582	A *	9/1976	Maytham	30/90.1
4,179,804	A *	12/1979	Maytham	30/90.7
4,449,298	A *	5/1984	Putz	30/90.1
D289,599	S *	5/1987	Bieganski	D8/14
4,945,788	A *	8/1990	Matthews	81/9.4
5,301,426	A *	4/1994	Regan	30/90.9
5,809,652	A *	9/1998	Ducret	30/90.7
5,979,286	A *	11/1999	Burth	83/861
D437,765	S *	2/2001	Tarpill	D8/98
D437,766	S *	2/2001	Tarpill	D8/98
6,615,493	B2 *	9/2003	Shevela	30/90.1

D505,056	S *	5/2005	Tarpill et al.	D8/98
6,895,671	B1 *	5/2005	Belew et al.	30/90.4
2009/0013535	A1 *	1/2009	Derancourt	30/90.6

OTHER PUBLICATIONS

Raychem HVIA-Stripper-35/90: Selected from 4-page pdf at <http://www.raychemrpg.com> on Mar. 19, 2011.*
Speed Systems Insulation Stripper: Downloaded Mar. 19, 2011 at <http://www.jharlen.com/speeds15422cl.html>.*

* cited by examiner

Primary Examiner — Philip S Hyder

Assistant Examiner — Roselynn Cody

(74) *Attorney, Agent, or Firm* — DeLio & Peterson LLC; Anthony P. DeLio; Thomas E. Ciesco

(57) **CLAIM**

I claim the ornamental design for an insulation removal tool, as shown and described.

DESCRIPTION

FIG. 1 is a front perspective view of an insulation removal tool according to my invention;

FIG. 2 is a front elevational view of an insulation removal tool shown in FIG. 1;

FIG. 3 is a back elevational view of the insulation removal tool shown in FIG. 2;

FIG. 4 is a bottom view of the insulation removal tool shown in FIG. 2;

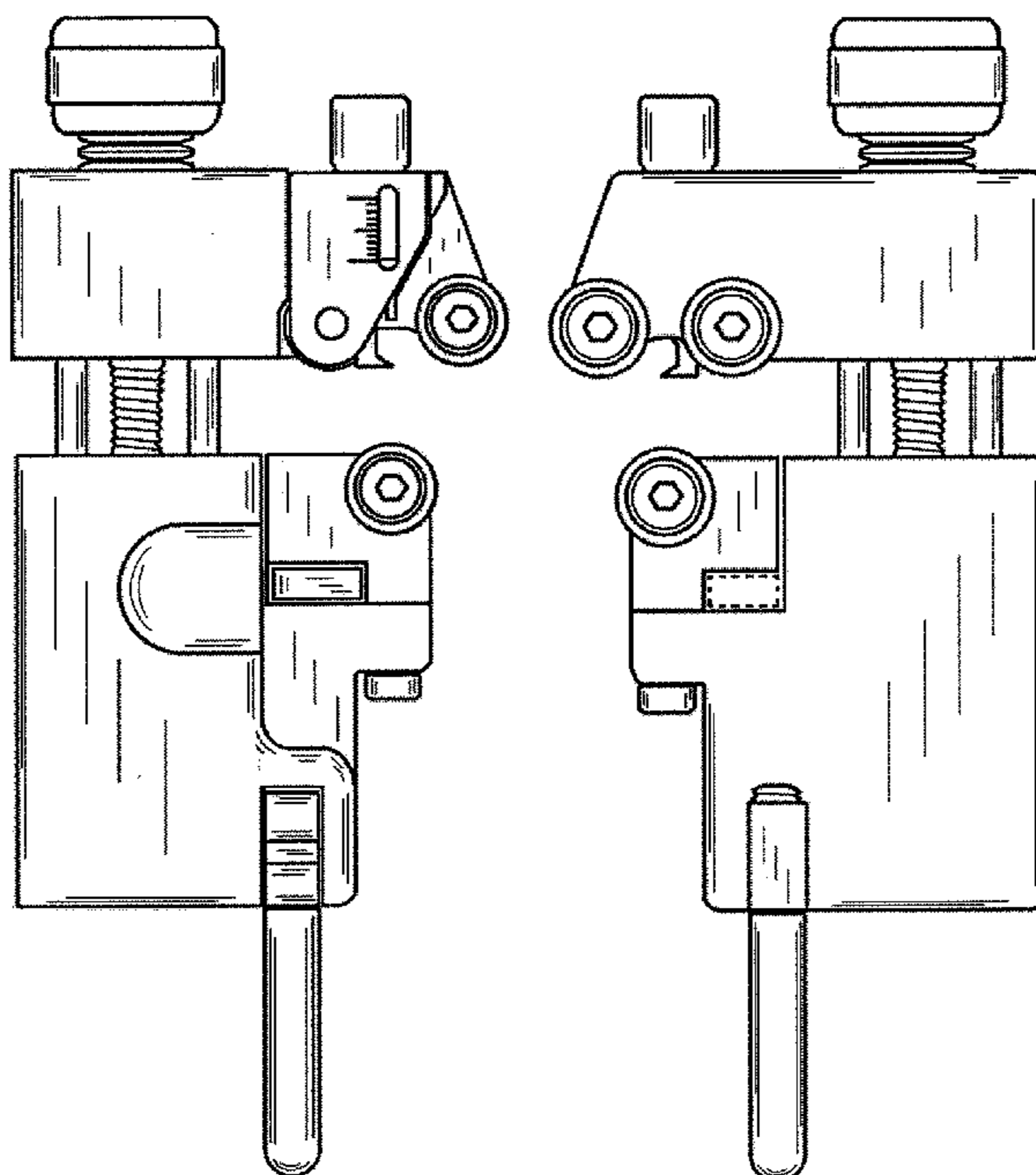
FIG. 5 is a top view of the insulation removal tool shown in FIG. 2;

FIG. 6 is a left side elevational view of the insulation removal tool shown in FIG. 2; and,

FIG. 7 is a right side elevational view of the insulation removal tool shown in FIG. 2.

The broken lines in the drawing are included for the purpose of illustration and form no part of the claimed design.

1 Claim, 3 Drawing Sheets



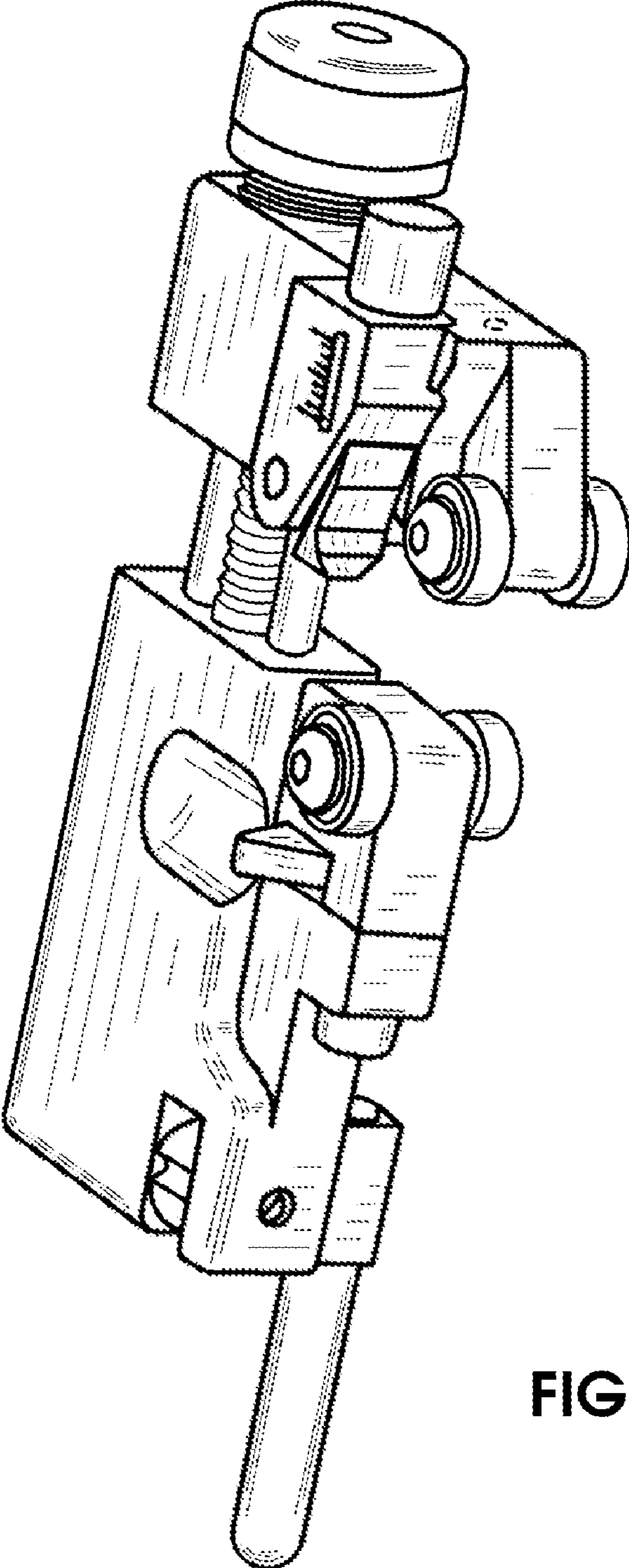


FIG. 1

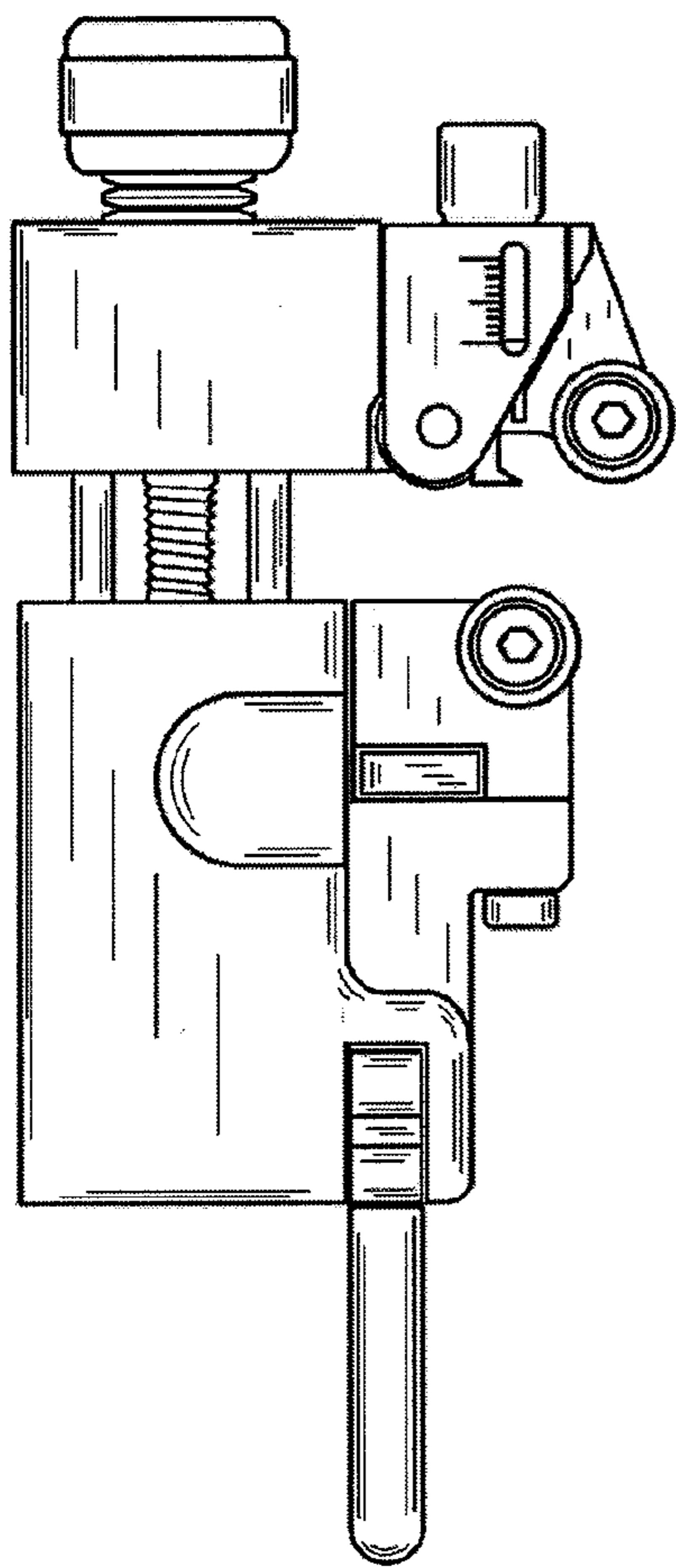


FIG. 2

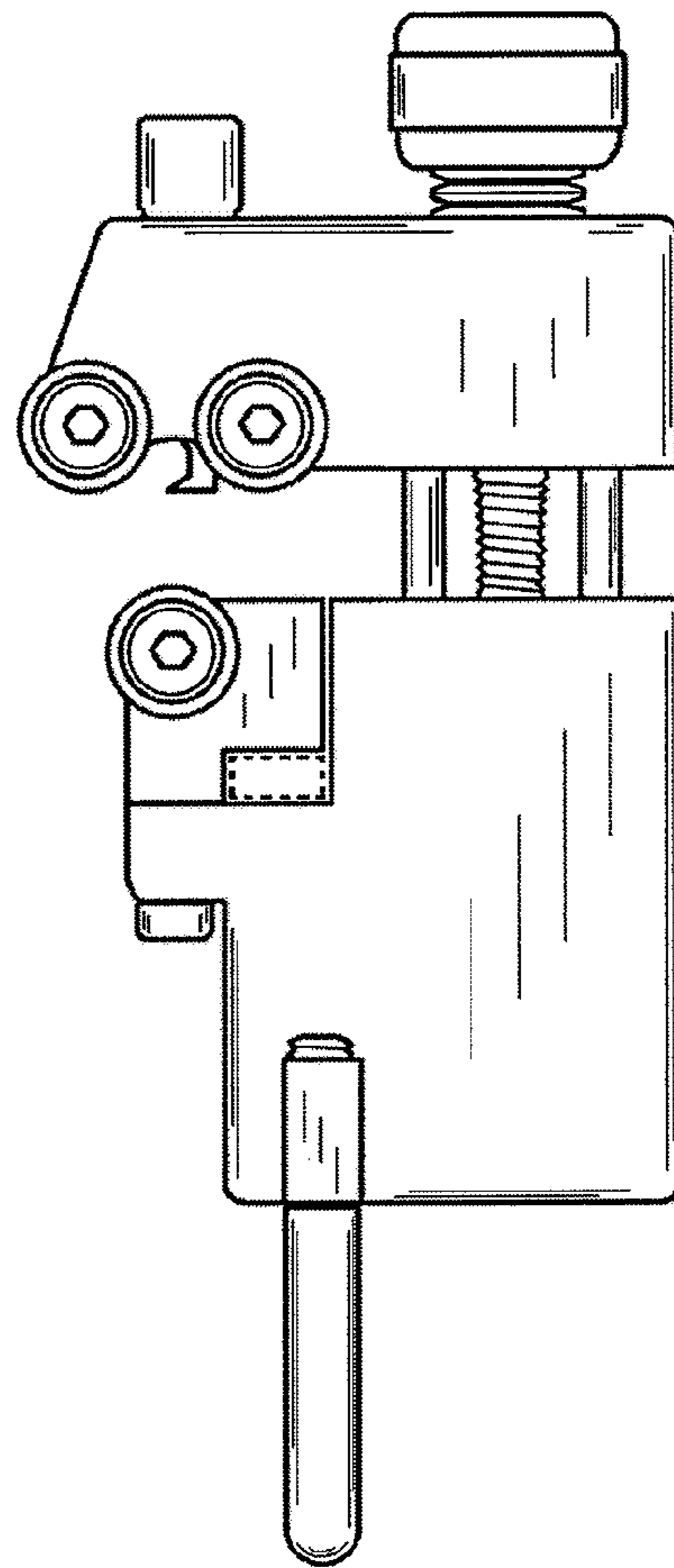


FIG. 3

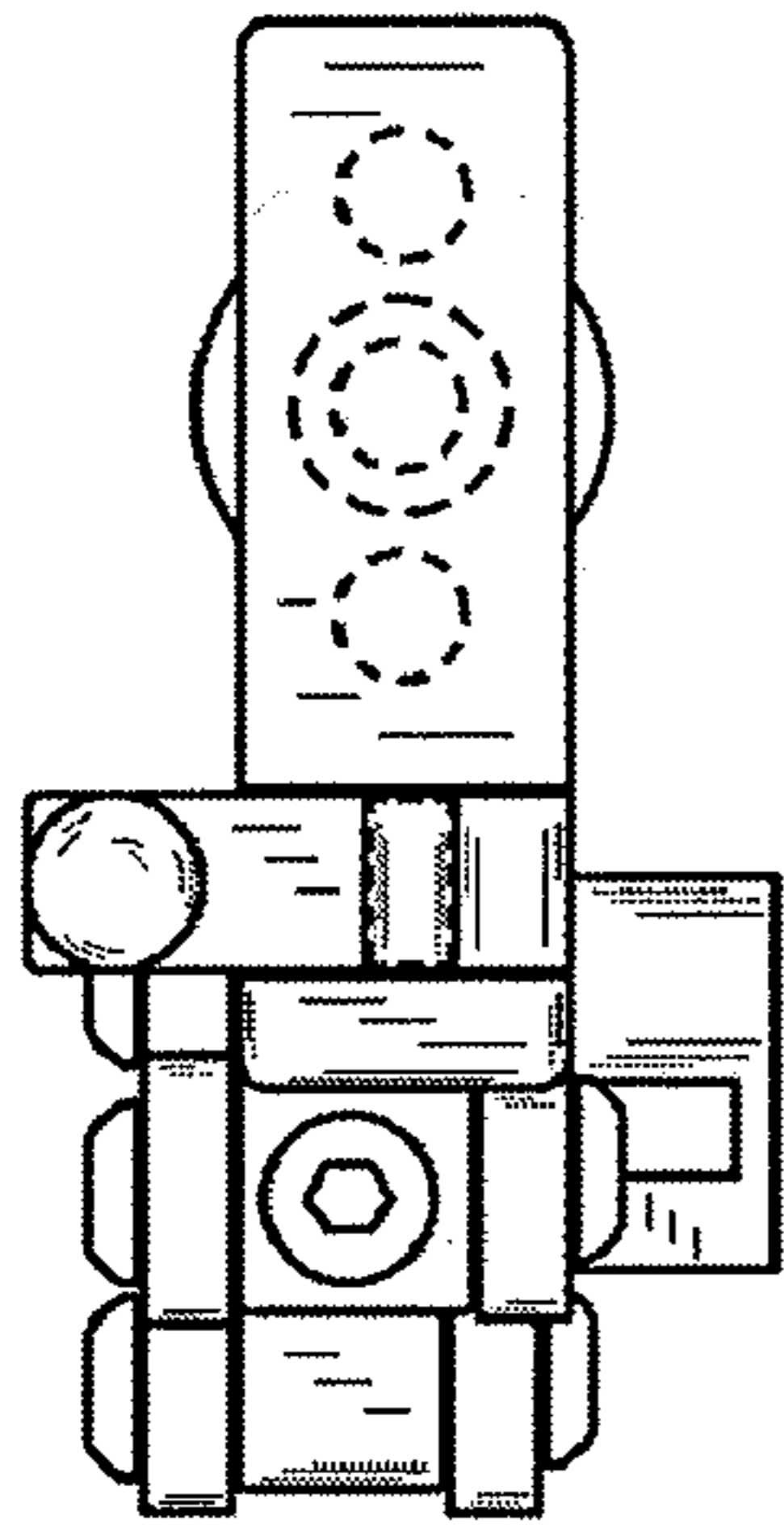


FIG. 4

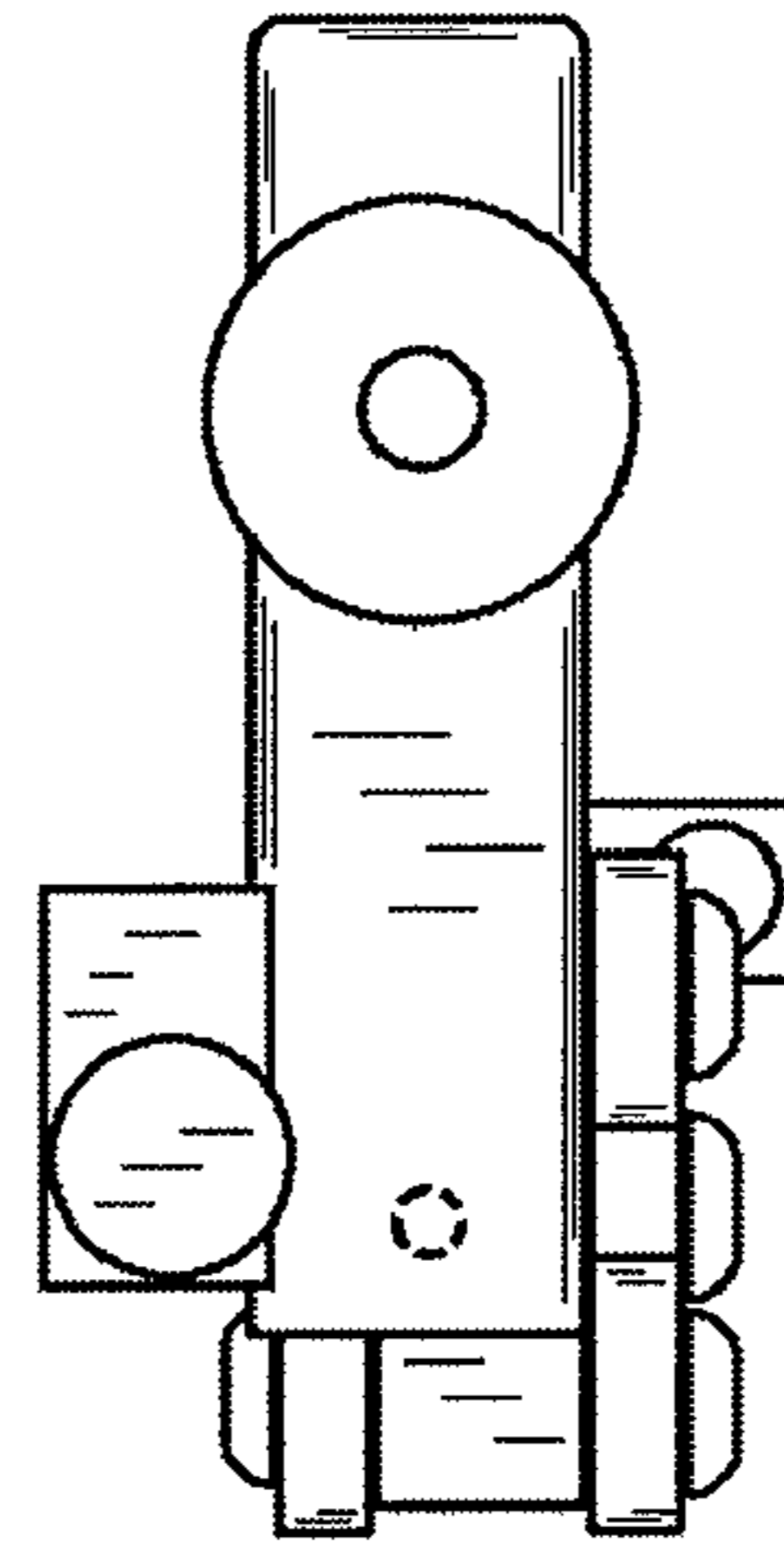


FIG. 5

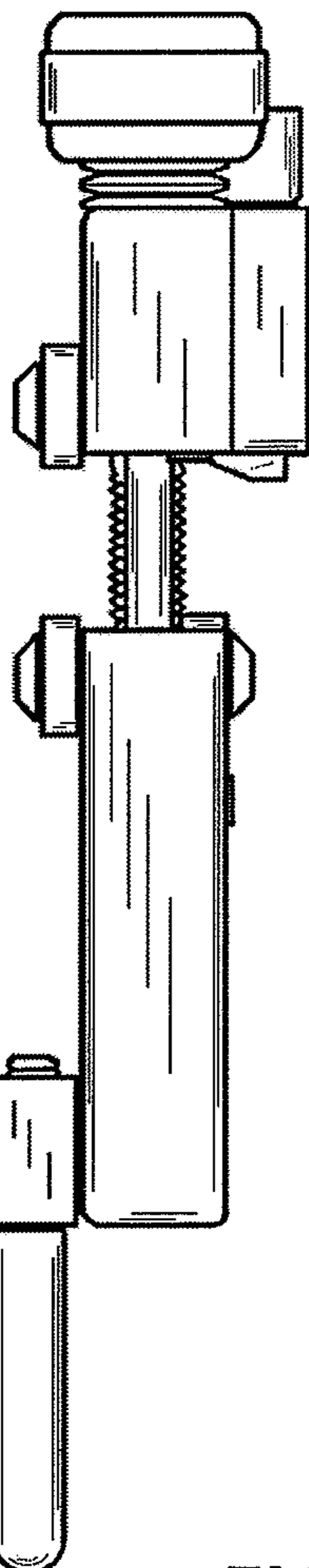


FIG. 6

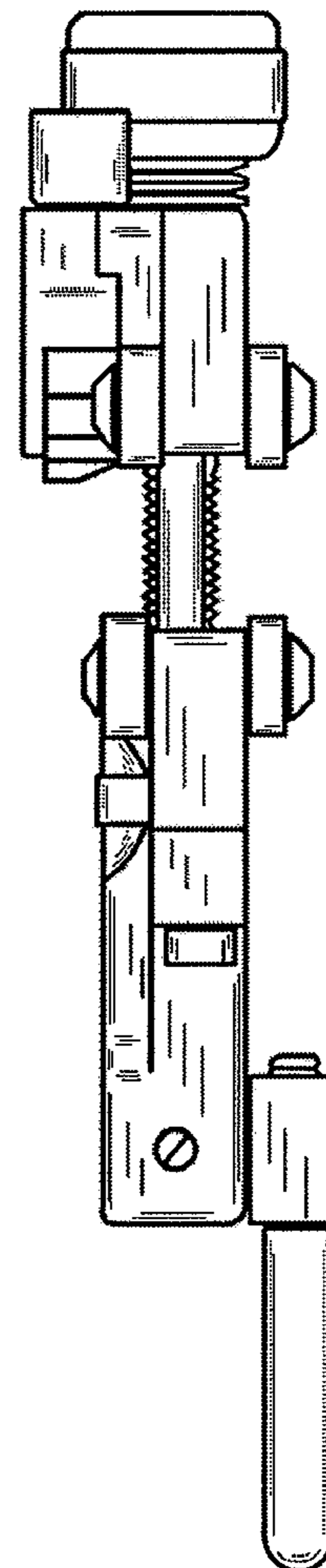


FIG. 7