



US00D649844S

(12) **United States Design Patent**
Bittner

(10) **Patent No.:** **US D649,844 S**

(45) **Date of Patent:** **** Dec. 6, 2011**

(54) **COMBINED FUNNEL WITH RAISED LIP AND ADAPTER WITH MULTIPLE RECEIVING MEANS**

(76) Inventor: **David W. Bittner**, Frostburg, MD (US)

(**) Term: **14 Years**

(21) Appl. No.: **29/379,702**

(22) Filed: **Nov. 23, 2010**

(51) **LOC (9) Cl.** **07-99**

(52) **U.S. Cl.** **D7/700**

(58) **Field of Classification Search** D7/368,
D7/387, 397, 400, 669, 700; D15/150-152;
D23/200; 100/104, 110, 295; 141/95, 98,
141/297-300, 331-345

See application file for complete search history.

(56) **References Cited**

U.S. PATENT DOCUMENTS

132,963	A *	11/1872	Heermance	210/473
573,333	A	12/1896	Krimmel		
657,080	A *	9/1900	Belden	141/95
1,387,789	A *	8/1921	Lyons	210/244
1,396,606	A *	11/1921	Vincent	141/326
1,662,147	A *	3/1928	Nels	141/339
1,727,195	A *	9/1929	Black	141/300
2,031,030	A	2/1936	Brizard		
D118,723	S *	1/1940	Martin	D7/700
D143,458	S *	1/1946	Zabel	D7/700
D153,202	S *	3/1949	Beller	D7/700
2,811,181	A *	10/1957	Correll	141/340
D188,216	S *	6/1960	Dow	D10/46.2
3,123,106	A *	3/1964	Parhaniemi	141/204
D200,429	S *	2/1965	Worden	D7/700
D205,236	S *	7/1966	Ilg	D7/700
4,231,876	A *	11/1980	Zimmermann et al.	210/232
4,920,975	A	5/1990	Fay		
D333,506	S *	2/1993	Krajewski	D23/200
D341,147	S *	11/1993	Pollak	D15/150
D364,629	S	11/1995	Shaw et al.		
D369,850	S	5/1996	Cammack et al.		

D375,878	S *	11/1996	Morris	D7/700
5,577,539	A	11/1996	Shaw et al.		
D404,979	S	2/1999	Harman et al.		
D415,552	S	10/1999	Malorni		
D541,116	S *	4/2007	Upham et al.	D7/700
D560,106	S *	1/2008	Curtin	D7/700
D562,091	S *	2/2008	Shlomo et al.	D7/700
D593,383	S *	6/2009	Pallotto et al.	D7/700
D634,592	S *	3/2011	Bittner	D7/700

OTHER PUBLICATIONS

Weisenbach Recycled Products. Funnel, Everydrop (TM) Recovery System. <http://www.recycledproducts.com/index.php?pid=969&cid=10>. Accessed Dec. 4, 2009.

Interstate Products, Inc. 18" Replacement Funnel. http://www.interstateproducts.com/auto_accessories.htm. Accessed Dec. 4, 2009.

* cited by examiner

Primary Examiner — Elizabeth J Oswecki

(74) *Attorney, Agent, or Firm* — Robert C. Montgomery; Joseph T. Yaksich

(57) **CLAIM**

The ornamental design for a combined funnel with raised lip and adapter with multiple receiving means, as shown and described.

DESCRIPTION

FIG. 1 is a perspective view of a combined funnel with raised lip and adapter with multiple receiving means, showing my new design;

FIG. 2 is an exploded perspective view thereof;

FIG. 3 is a right side view thereof;

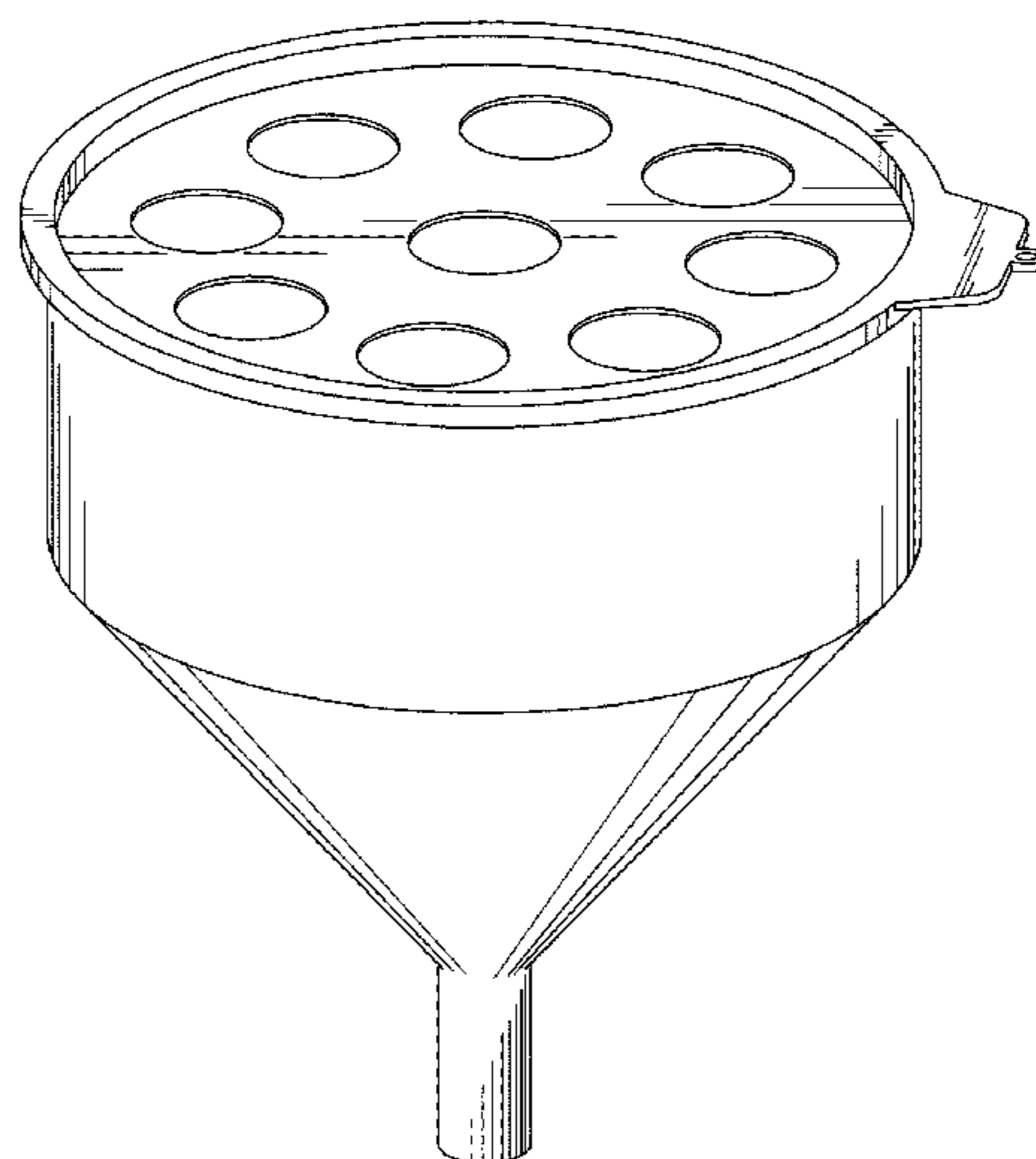
FIG. 4 is a left side view thereof;

FIG. 5 is a front view thereof with a rear view being a mirror image;

FIG. 6 is a top view thereof; and,

FIG. 7 is a bottom view thereof.

1 Claim, 7 Drawing Sheets



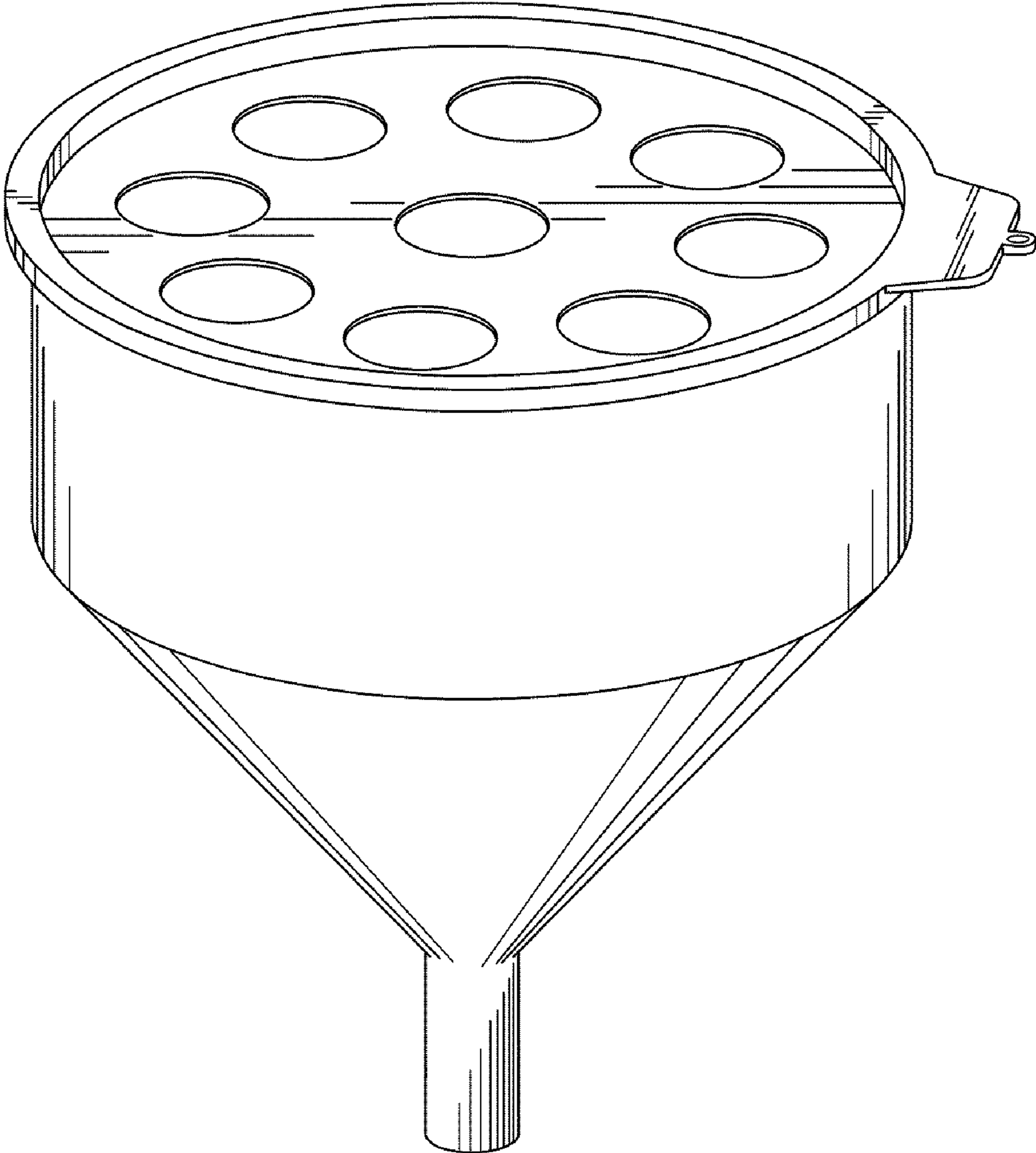


Fig. 1

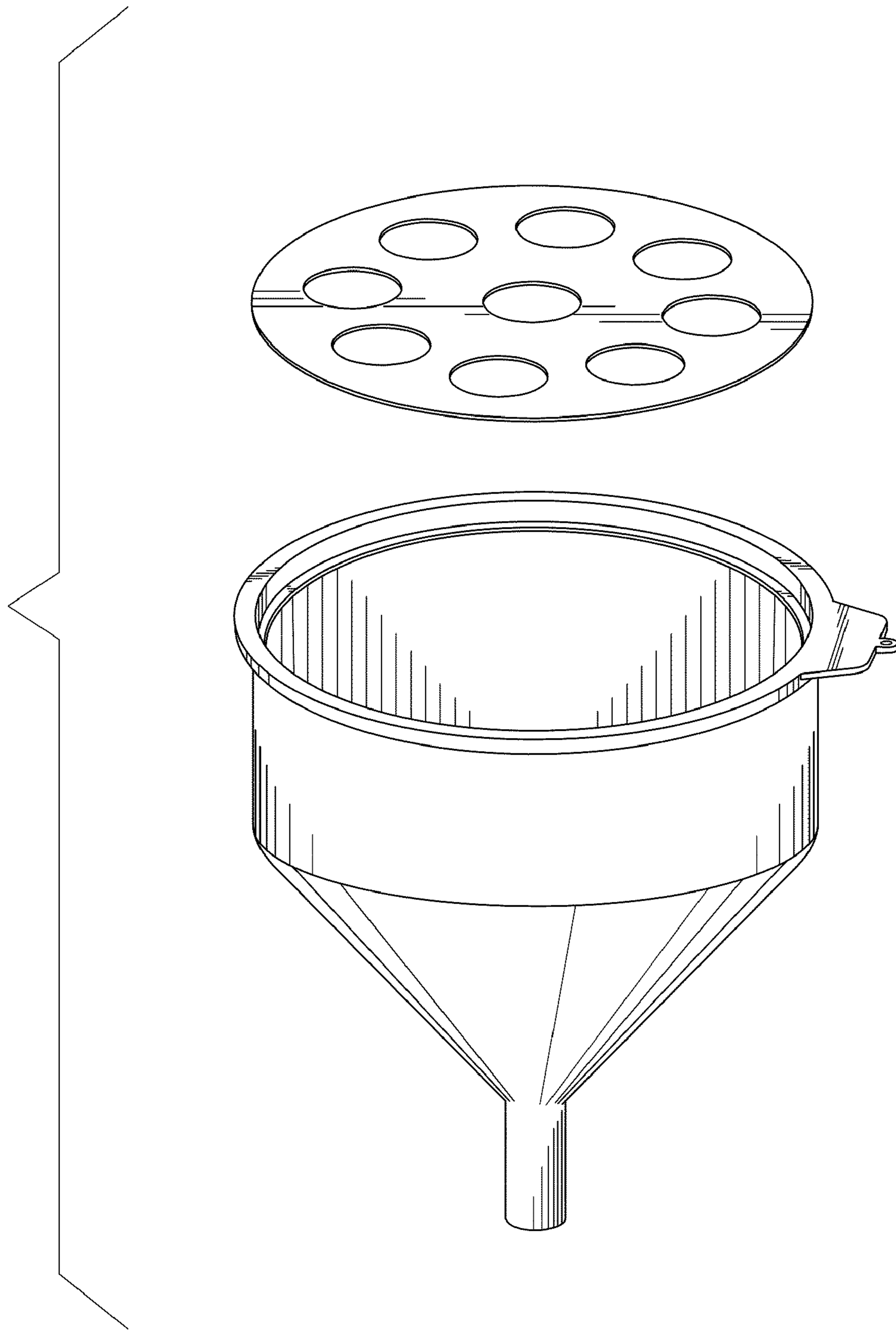


Fig. 2

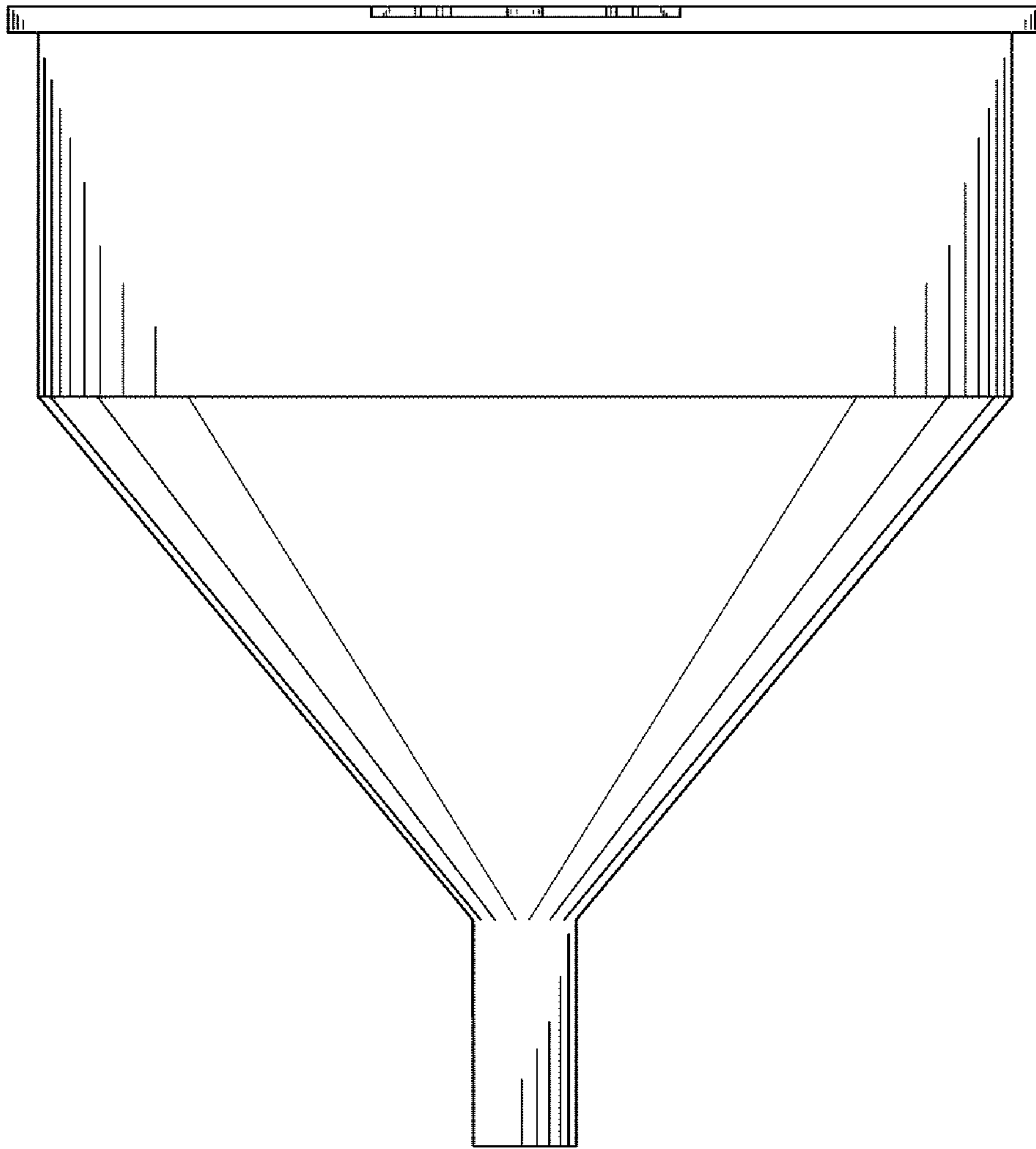


Fig. 3

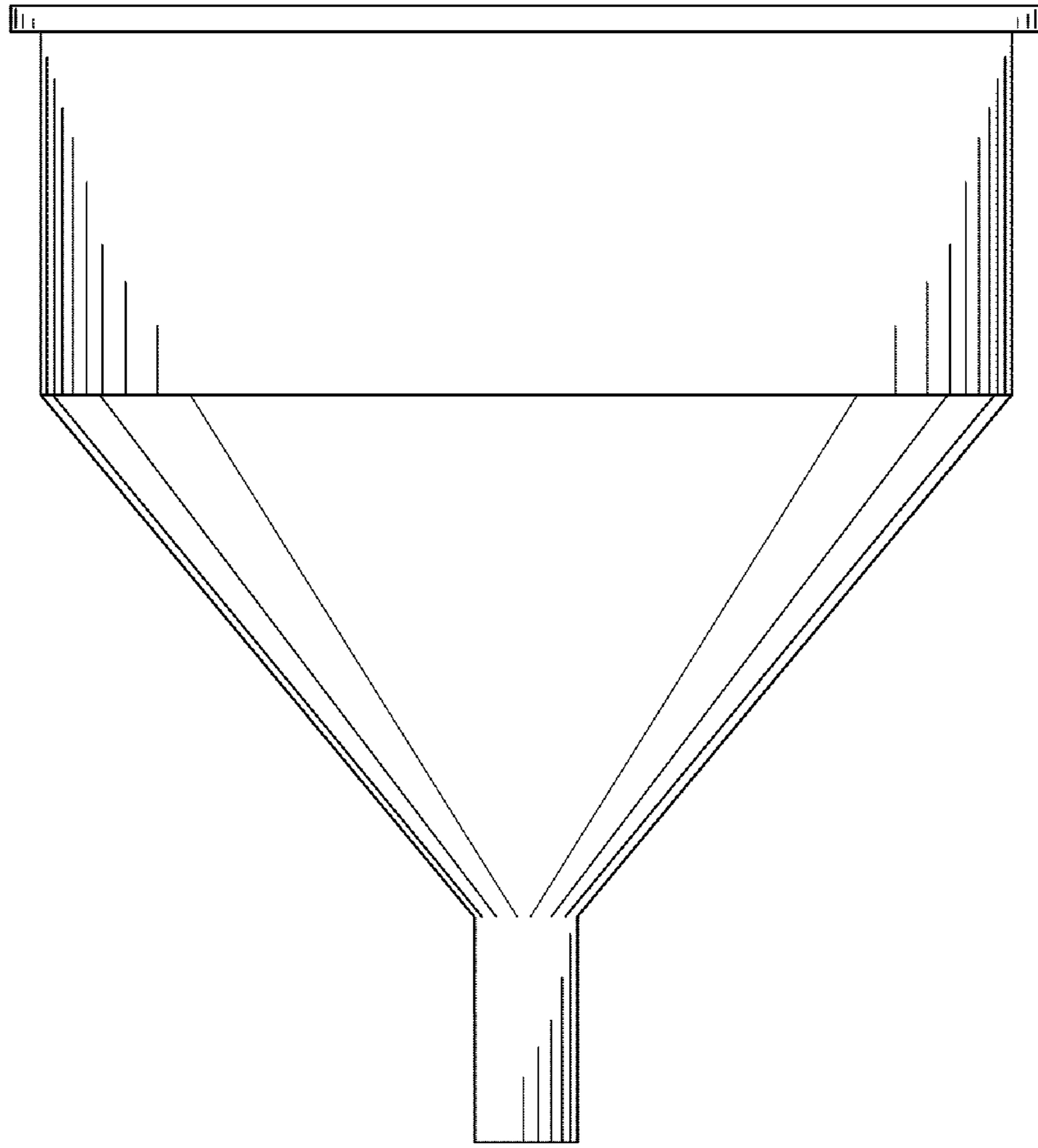


Fig. 4

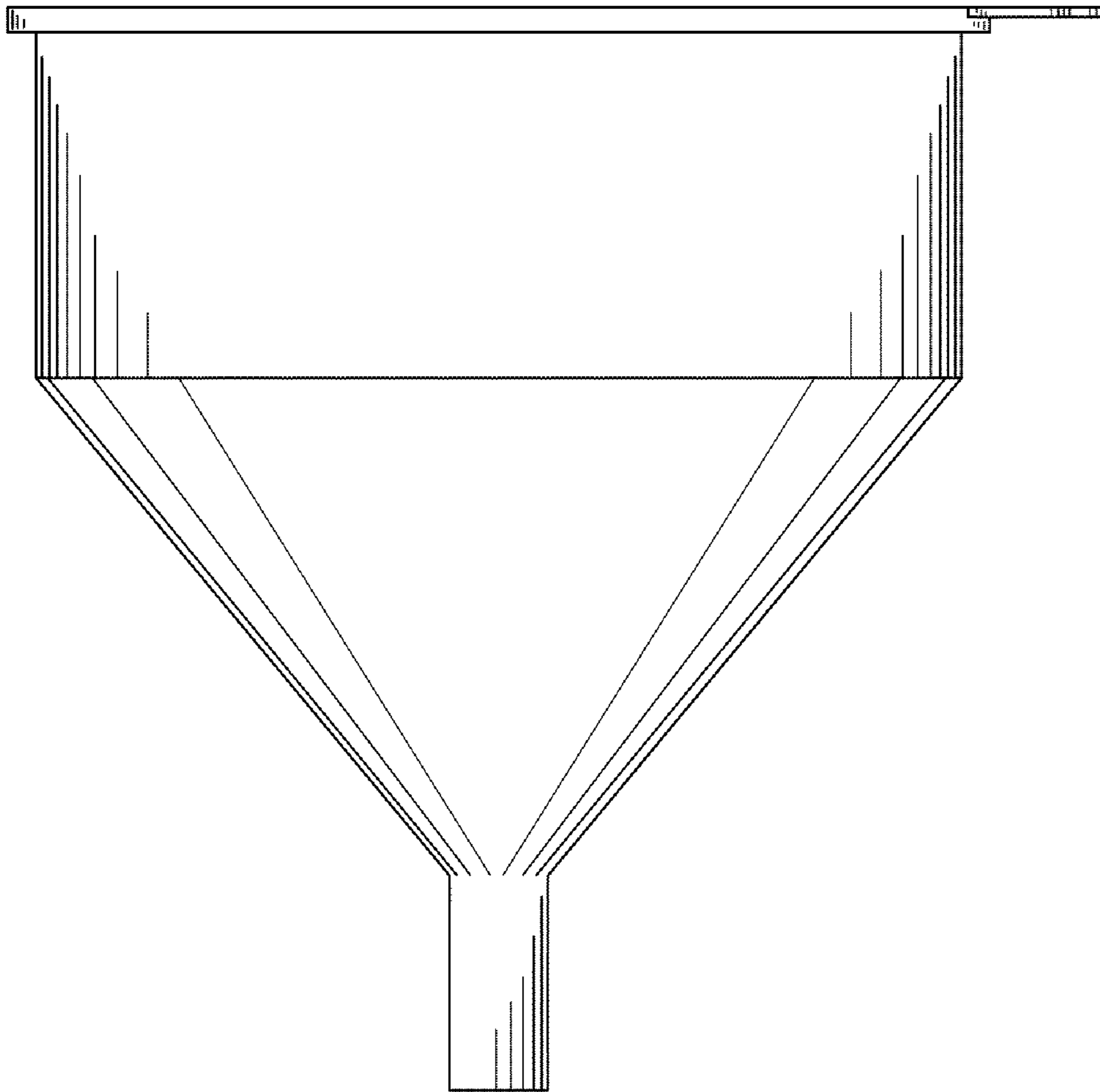


Fig. 5

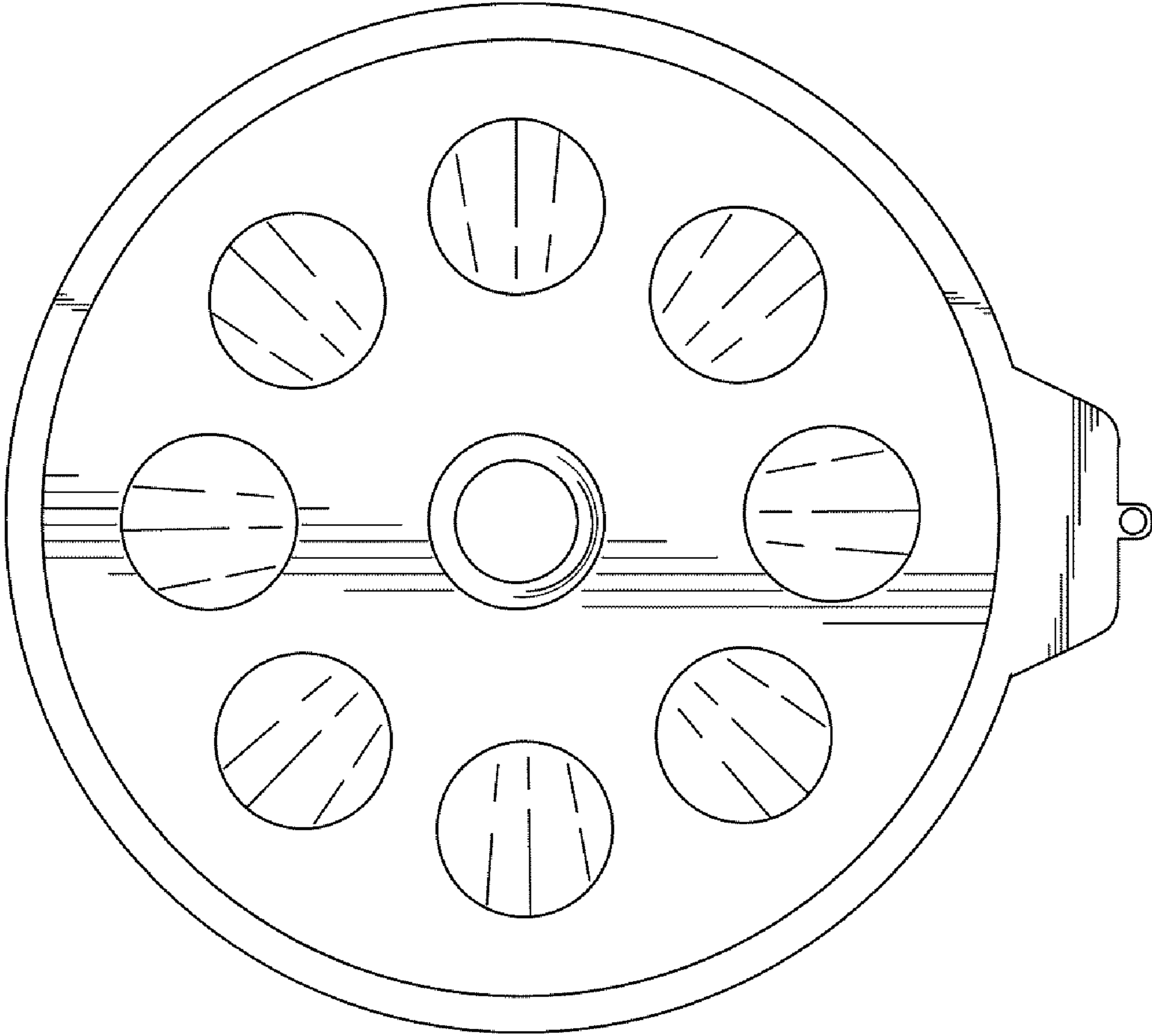


Fig. 6

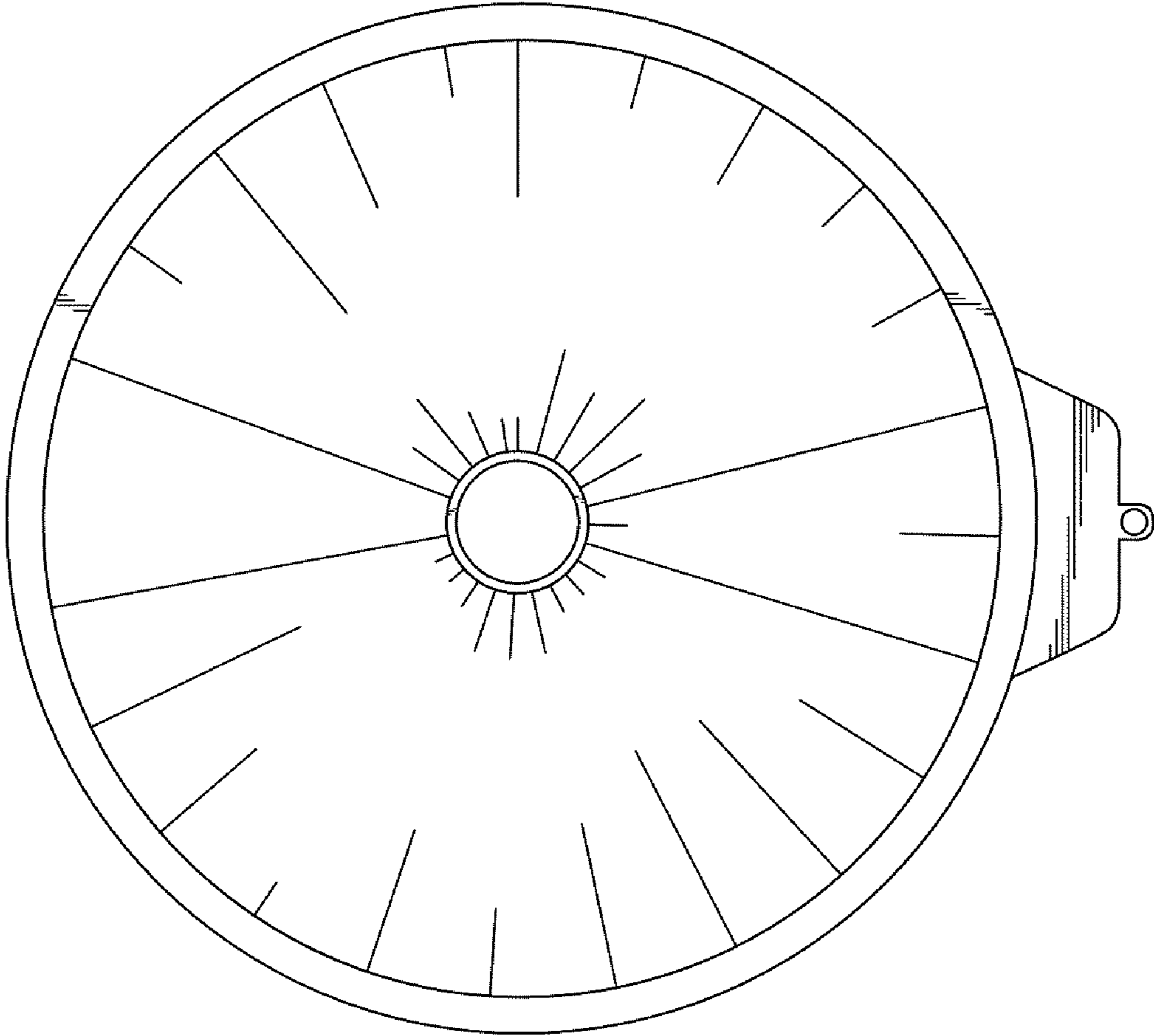


Fig. 7