

US00D649842S

(12) **United States Design Patent**
Nigrelli et al.

(10) **Patent No.:** **US D649,842 S**
(45) **Date of Patent:** **** Dec. 6, 2011**

(54) **GRAVY SEPARATOR**

(75) Inventors: **Gina L. Nigrelli**, Brooklyn, NY (US);
John J. Nigrelli, Hampton, NH (US);
Thomas L. Nigrelli, Delray Beach, FL (US)

(73) Assignee: **LucyLeo, LLC**, Delray Beach, FL (US)

(**) Term: **14 Years**

(21) Appl. No.: **29/368,590**

(22) Filed: **Aug. 26, 2010**

(51) **LOC (9) Cl.** **07-01**

(52) **U.S. Cl.** **D7/667**

(58) **Field of Classification Search** D7/300,
D7/312, 315, 316, 317, 318, 319, 320, 321,
D7/322, 368, 667, 668, 669, 387, 397, 400,
D7/412; 210/532.1, 513, 514, 515; 222/189.06,
222/189.07, 189.09, 189.1

See application file for complete search history.

(56) **References Cited**

U.S. PATENT DOCUMENTS

2,583,335	A *	1/1952	Jepson	222/510
D186,617	S *	11/1959	Serr	D7/667
D238,648	S *	2/1976	Jablecki	D7/700
4,099,654	A *	7/1978	Antolino	222/184
D250,244	S *	11/1978	Antolino	D7/668
D252,068	S *	6/1979	Lovely	D7/668
4,206,856	A *	6/1980	Lobel et al.	222/564
D413,492	S *	9/1999	Wang	D7/667
D445,004	S *	7/2001	Wallays	D7/667
D497,085	S *	10/2004	Moeller et al.	D7/667
7,185,766	B2 *	3/2007	Cooper	210/533
D560,444	S *	1/2008	Chan	D7/667

D571,164	S *	6/2008	Yelland	D7/667
D579,258	S *	10/2008	Kaposi	D7/315
7,431,851	B2 *	10/2008	Chan	210/800
2005/0045555	A1 *	3/2005	Taylor	210/514

OTHER PUBLICATIONS

Progressive International Gravy Separator, by Progressive International, <http://www.amazon.com/Progressive-International-GT-3410-Gravy-Separator/dp/B000F9JOVW>, copyright 1996-2011.*
Gravy Separator, by zyliss, Swiss Innovation, <http://www.zylizzusa.com/cgi-bin/v1/index.cgi?main=987554323>, copyright 2009, DKB Household USA.*

* cited by examiner

Primary Examiner — Elizabeth J Oswecki

(74) Attorney, Agent, or Firm — Fellers, Snider, et al.

(57) **CLAIM**

The ornamental design for a gravy separator, as shown and described.

DESCRIPTION

FIG. 1 is a right side elevational view of a gravy separator, wherein the opposing left side of the design is a mirror image to that set forth in FIG. 1;

FIG. 2 is a top plan view thereof;

FIG. 3 is a bottom plan view thereof;

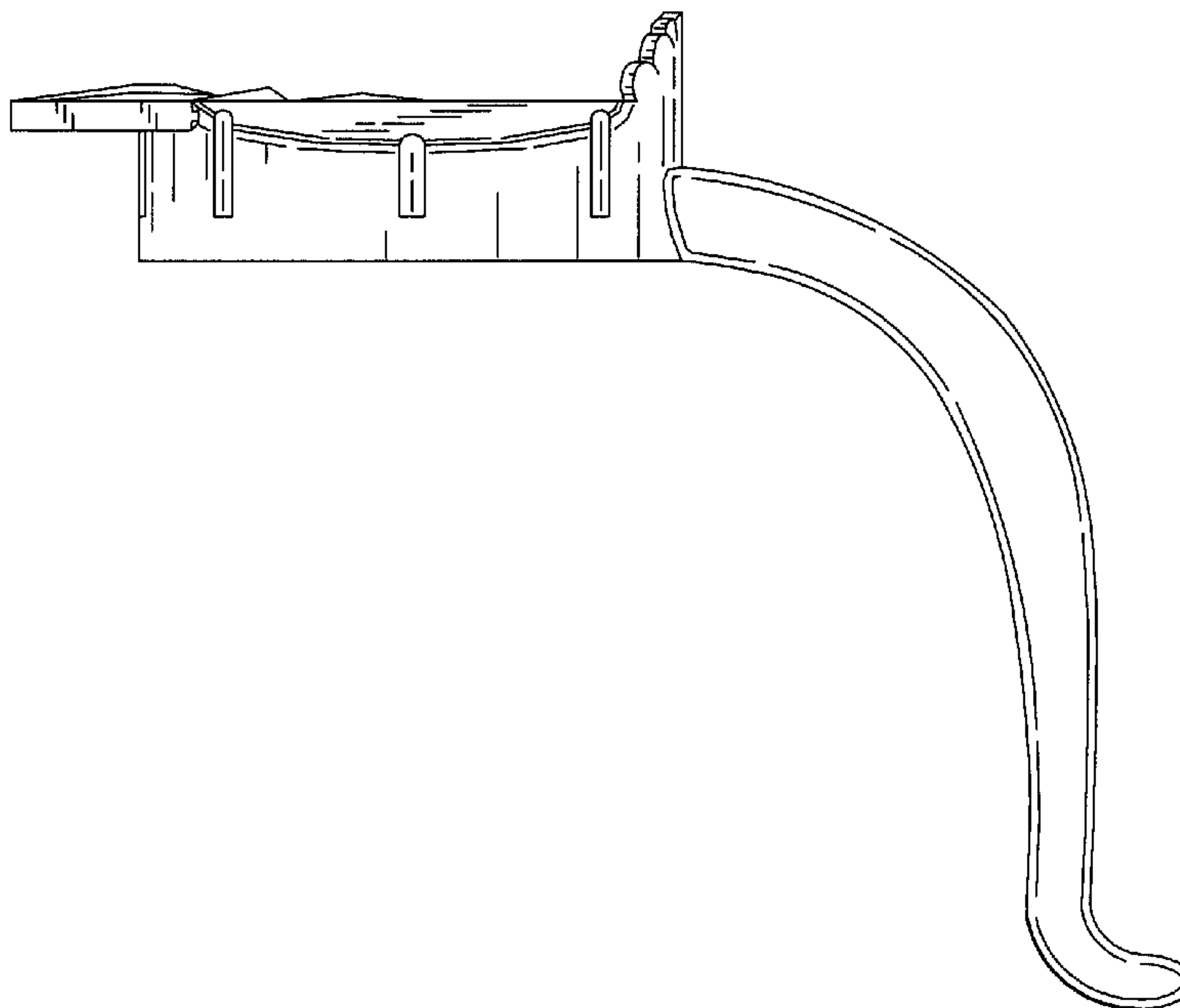
FIG. 4 is a front elevational view thereof;

FIG. 5 is a rear elevational view thereof; and,

FIG. 6 is an isometric view thereof.

The broken lines in these drawings serve to illustrate the environment in which the claimed design is associated or serve to define the bounds of the claimed design. The broken lines form no part of the claimed design.

1 Claim, 3 Drawing Sheets



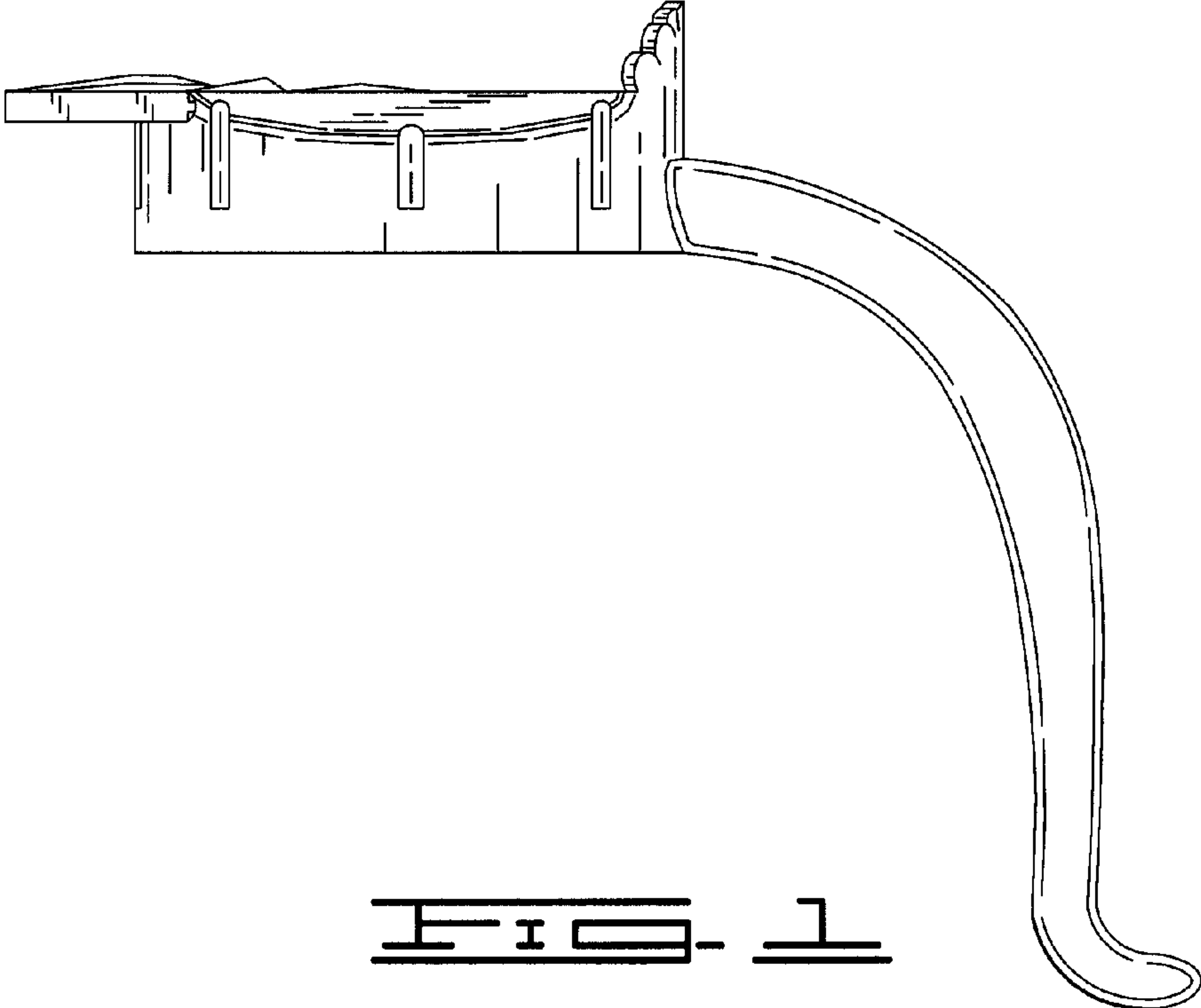


FIG. 1

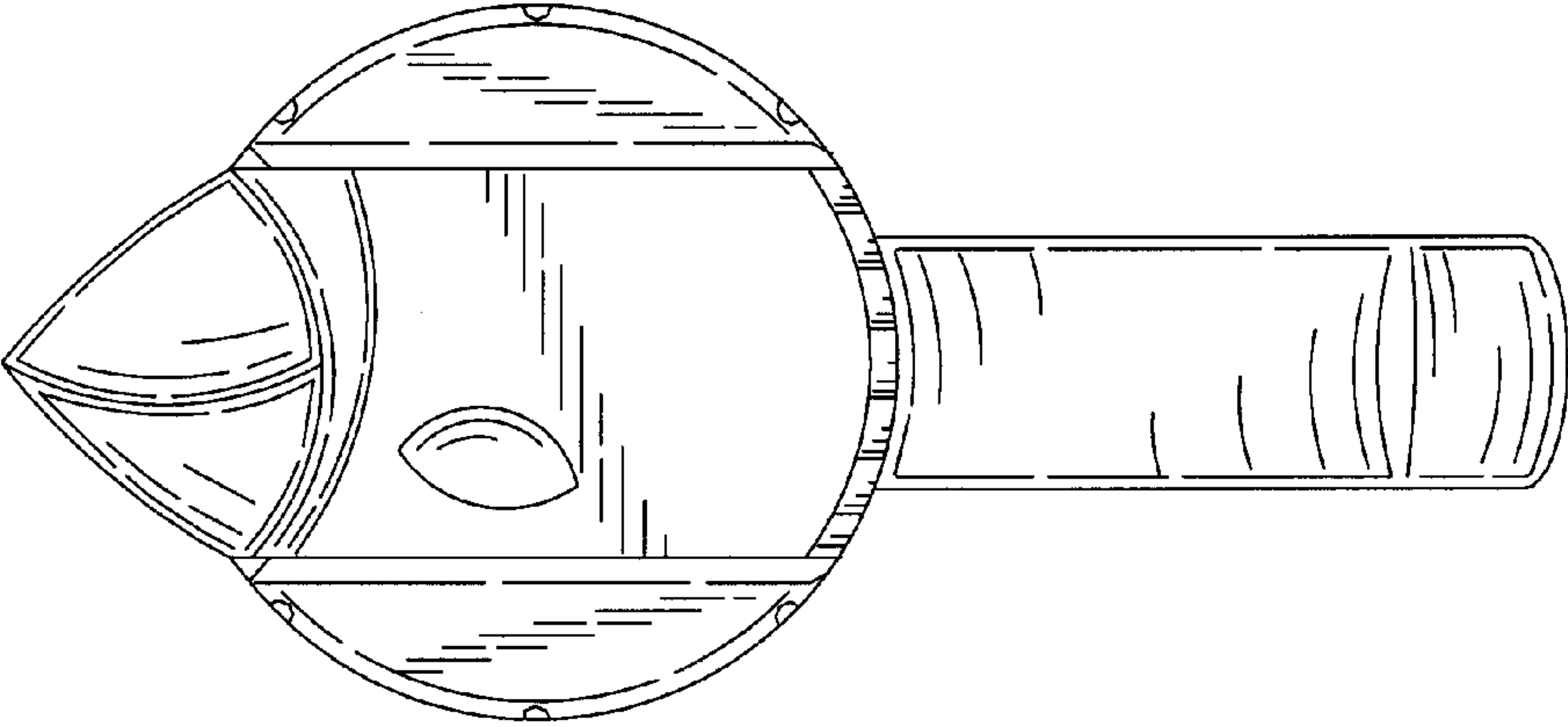


FIG. 2

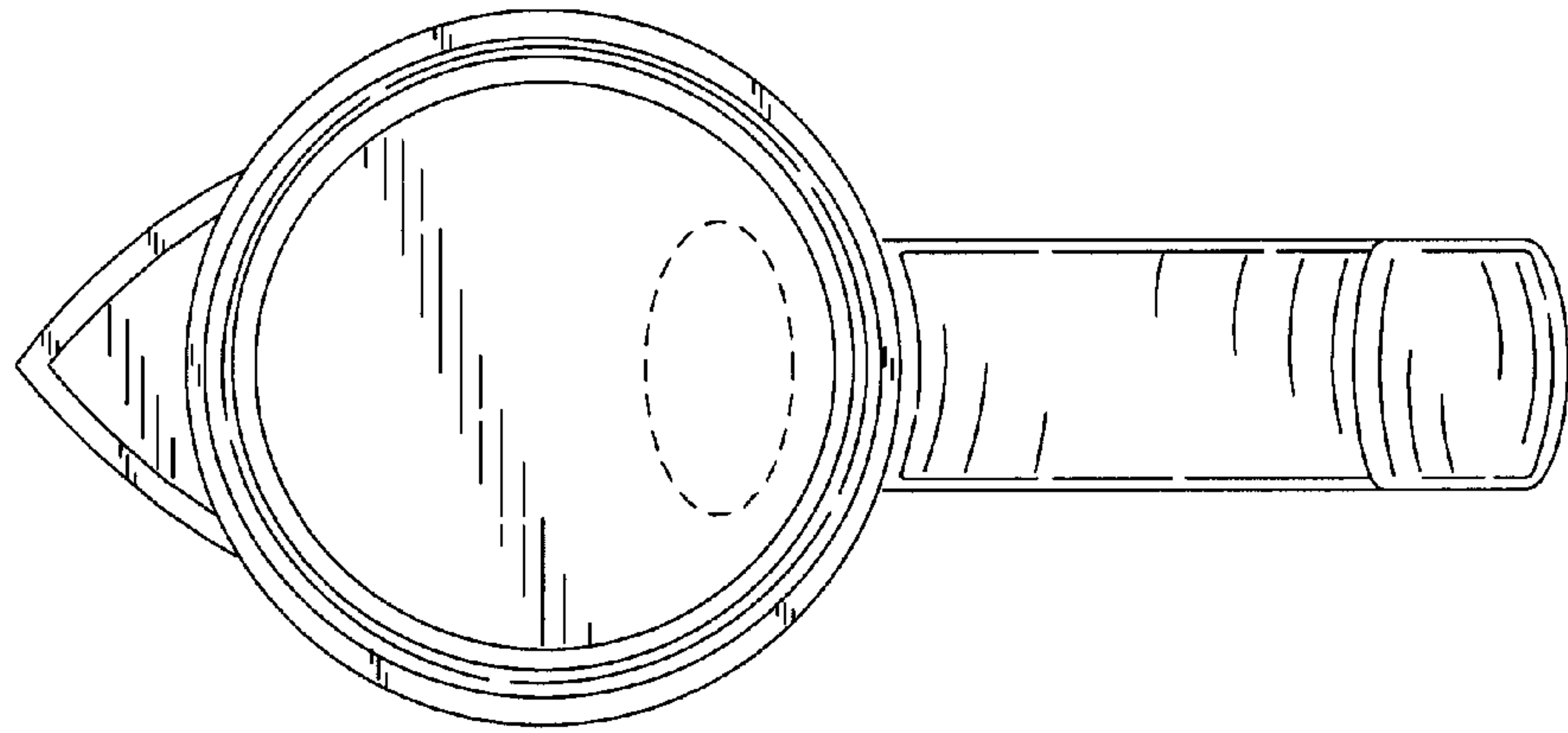


FIG. 3

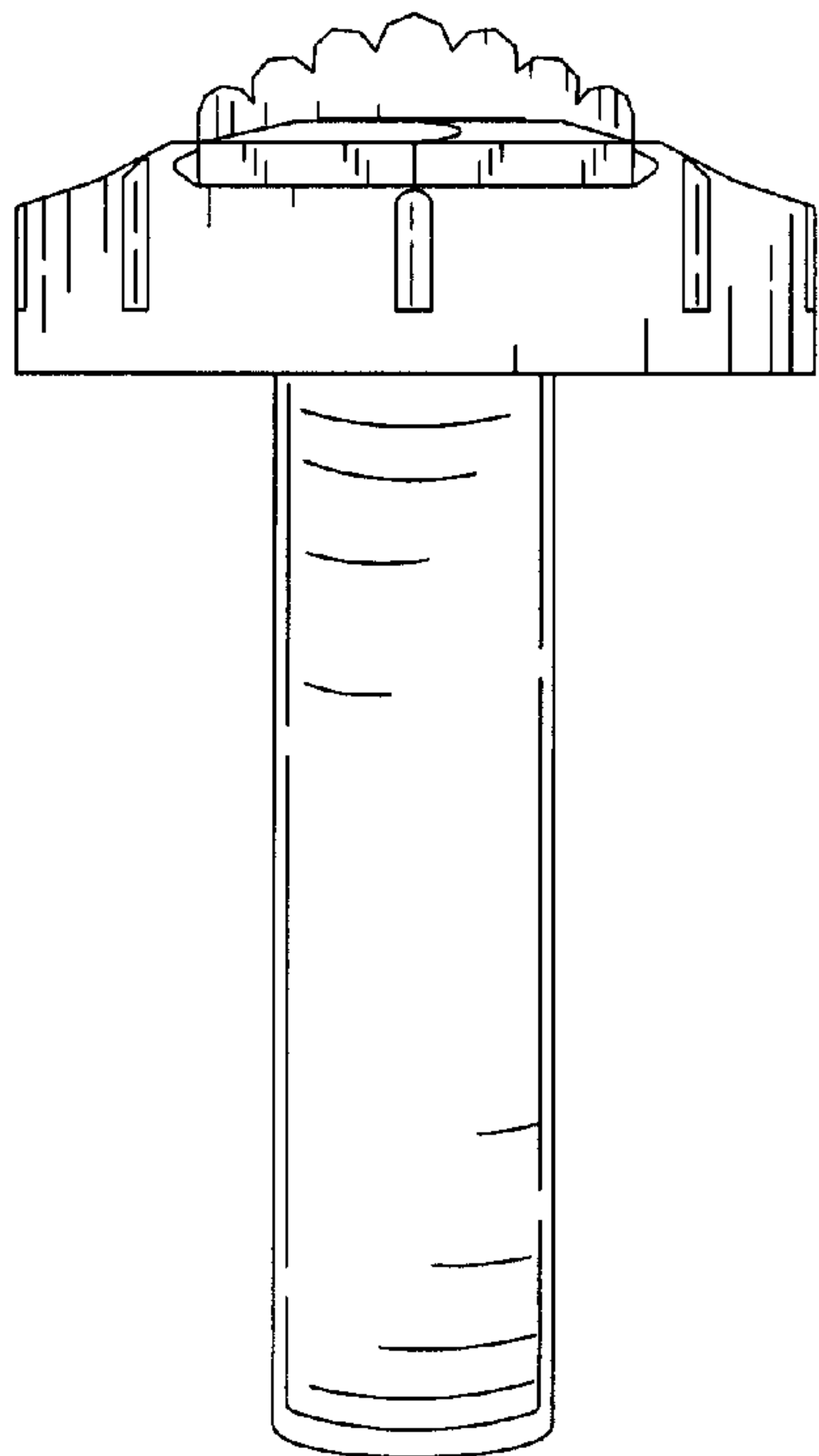


FIG. 4

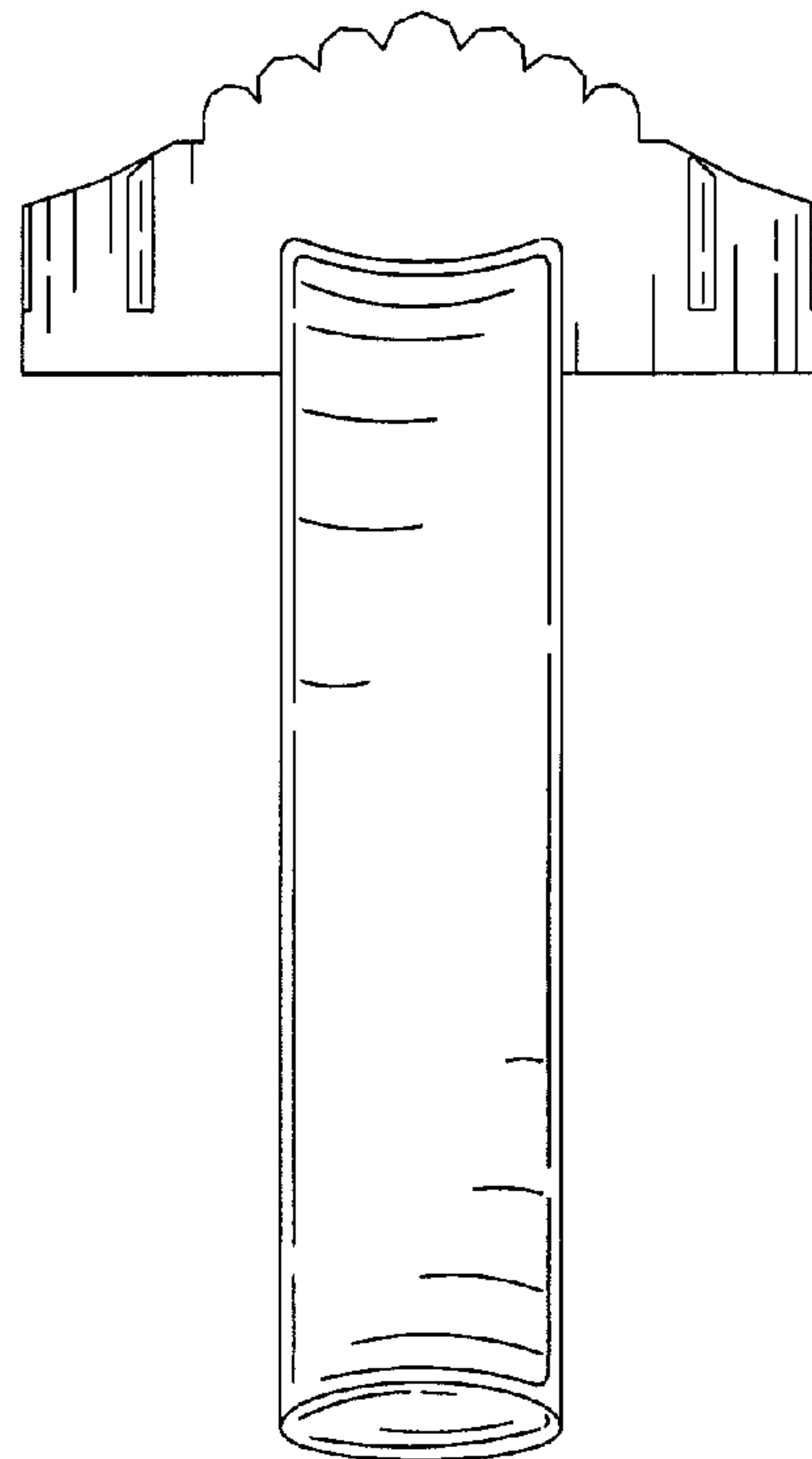


FIG. 5

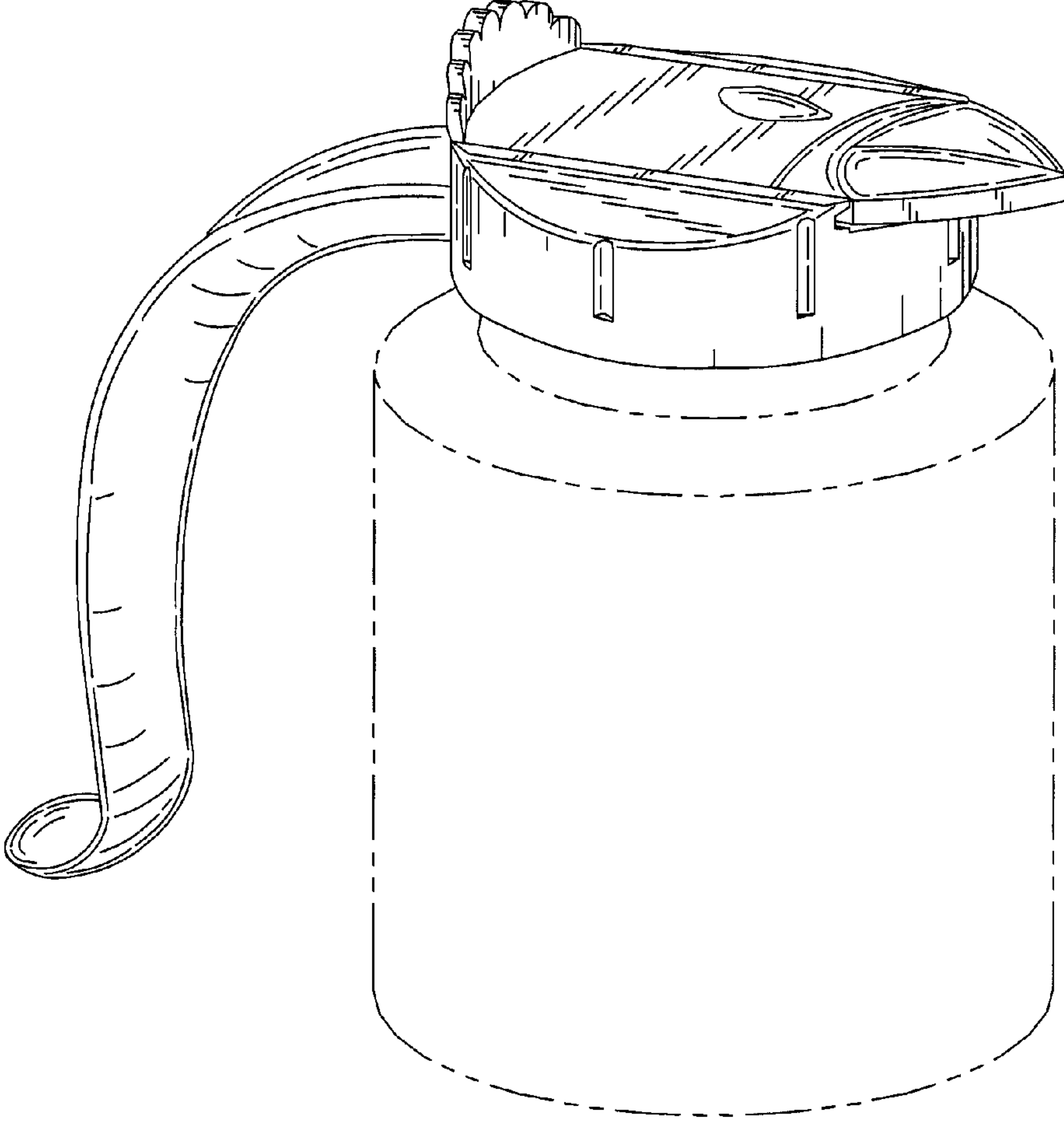


FIG. 5