



US00D649841S

(12) **United States Design Patent**
Lo

(10) **Patent No.:** **US D649,841 S**

(45) **Date of Patent:** **** Dec. 6, 2011**

(54) **CURVED FORGED WEDGED CUTLERY HANDLE**

(76) Inventor: **Wai Kim Lo**, Hong Kong (CN)

(**) Term: **14 Years**

(21) Appl. No.: **29/372,578**

(22) Filed: **Dec. 9, 2010**

(51) **LOC (9) Cl.** **07-03**

(52) **U.S. Cl.** **D7/649**

(58) **Field of Classification Search** D7/368,
D7/393-395, 401.2, 642-653, 669, 675-676,
D7/688-696; D8/20, 97-99, 102, 107, 300,
D8/303, 321; D22/117-118; D24/146-149;
16/110.1, 407, 430, DIG. 18; 30/136, 142-150,
30/161, 295, 315, 329, 340-348, 353-356;
83/673, 835, 847; 452/102-105

See application file for complete search history.

(56) **References Cited**

U.S. PATENT DOCUMENTS

D192,916 S *	5/1962	Zorn	D7/649
D218,216 S *	7/1970	Hopcraft	D7/649
D425,365 S *	5/2000	Chien	D7/401.2
D479,104 S *	9/2003	Onion	D7/649
D498,985 S *	11/2004	Kerr et al.	D7/649
D539,082 S *	3/2007	Molayem	D7/393
D547,135 S *	7/2007	Hasegawa	D7/664

D557,081 S *	12/2007	Hadj-Chikh et al.	D7/649
D564,305 S *	3/2008	Chisholm	D7/649
D613,575 S *	4/2010	Linn	D8/107
D633,345 S *	3/2011	Ranieri	D7/649

* cited by examiner

Primary Examiner — Ricky Pham

(74) *Attorney, Agent, or Firm* — Sonya C. Harris; Invention Services

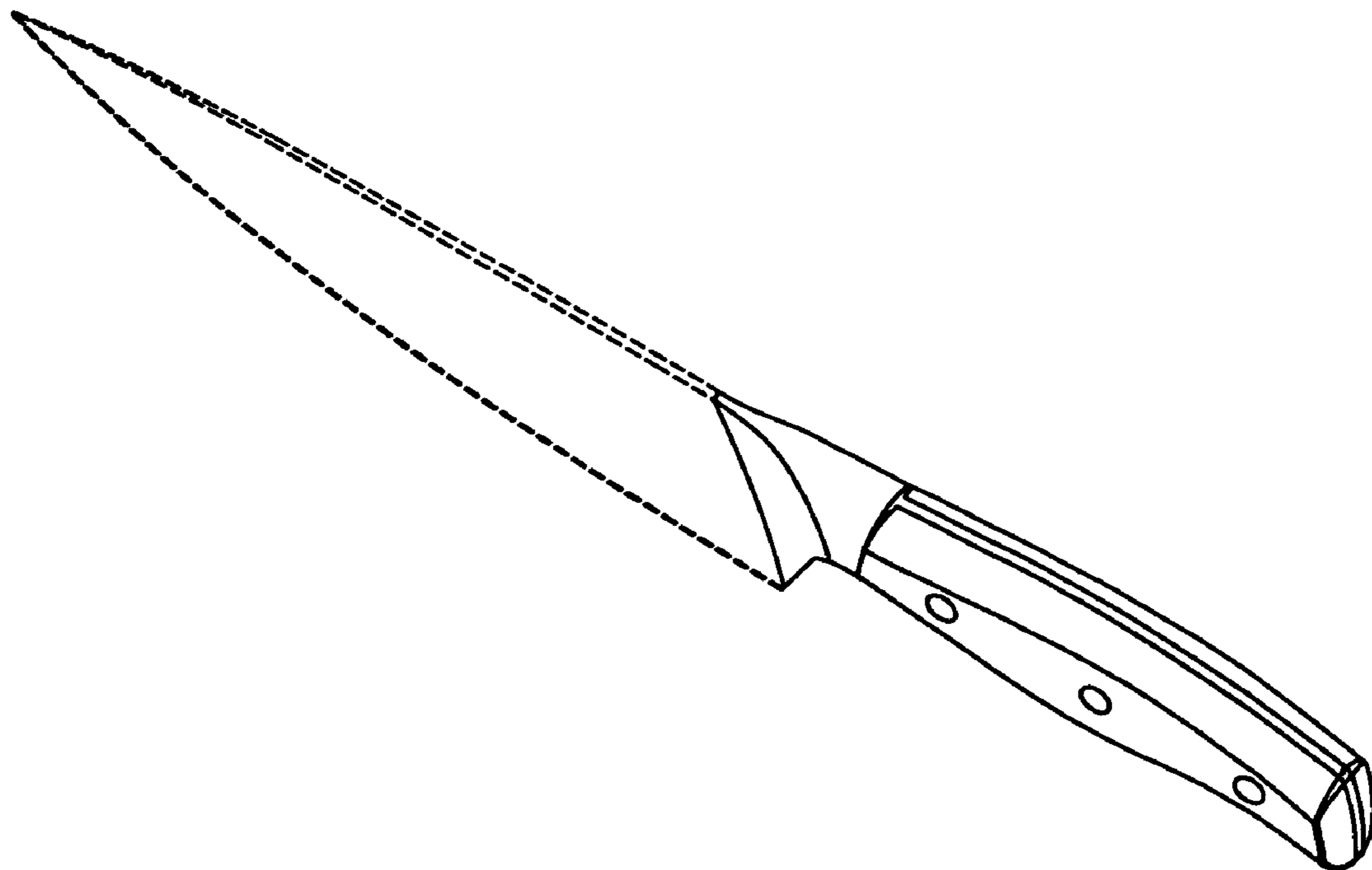
(57) **CLAIM**

The ornamental design for the curved forged wedged cutlery handle, as shown and described.

DESCRIPTION

FIG. 1 is an enlarged left elevational view of my design; FIG. 2 is a left top perspective view of my design, the broken lines depicting an exemplary cutlery element as mounted thereto as environmental structure for illustrative purposes only and form no part of the claimed design; FIG. 3 is an enlarged top plan view of my design; FIG. 4 is an enlarged bottom plan view of my design; FIG. 5 is an enlarged front elevational view of my design; FIG. 6 is an enlarged rear elevational view of my design; and, FIG. 7 is a right elevational mirror view of my design of FIG. 1, the broken lines depicting an exemplary cutlery element as mounted thereto as environmental structure for illustrative purposes only and form no part of the claimed design.

1 Claim, 3 Drawing Sheets



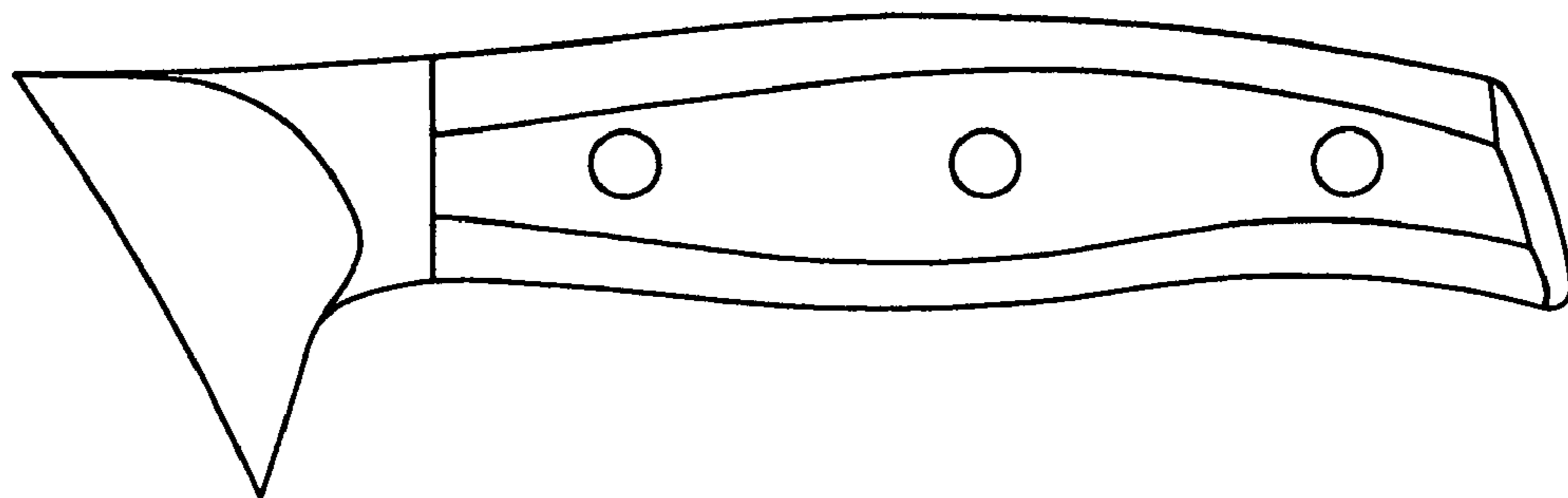


FIG. 1

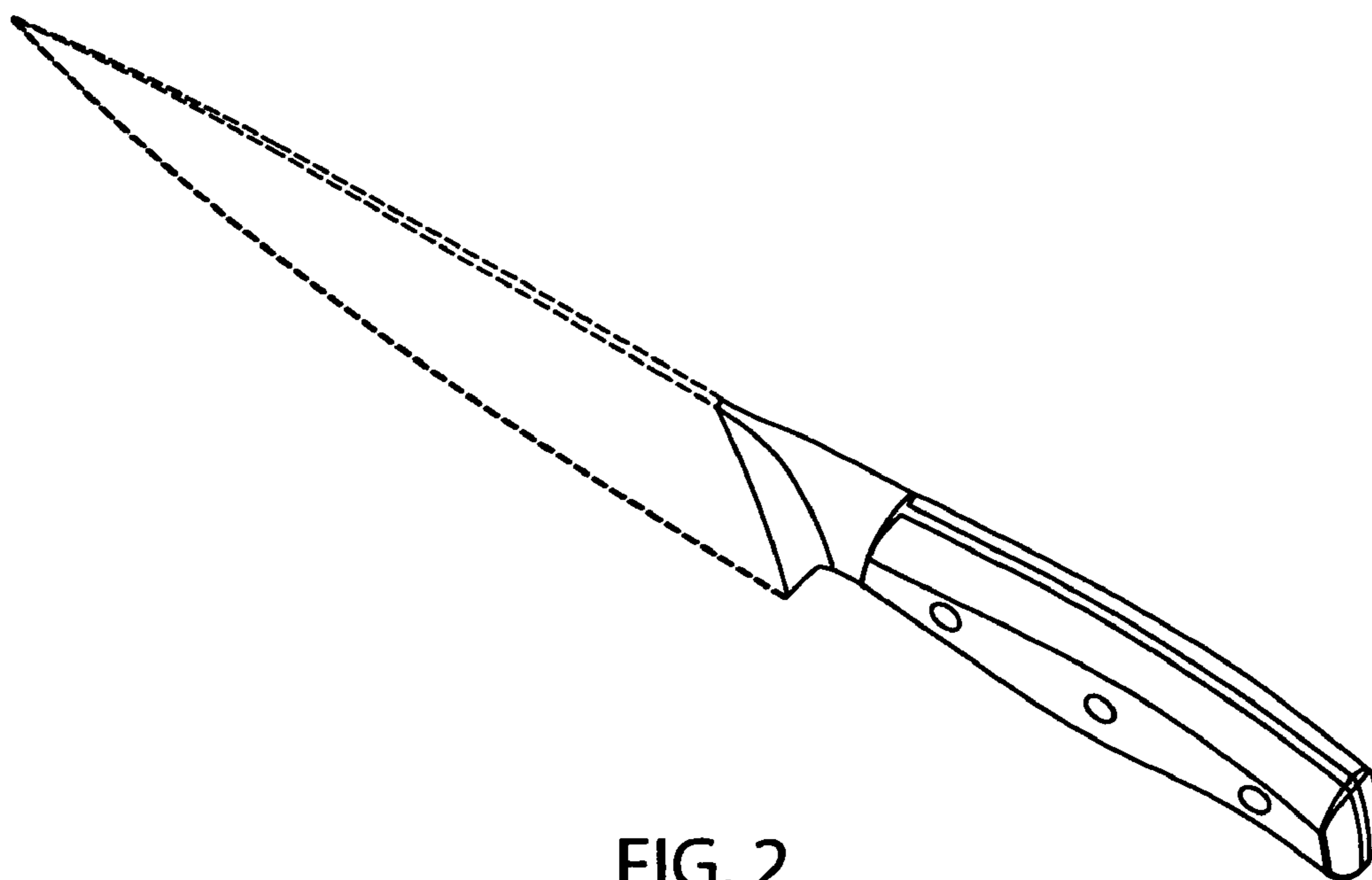


FIG. 2

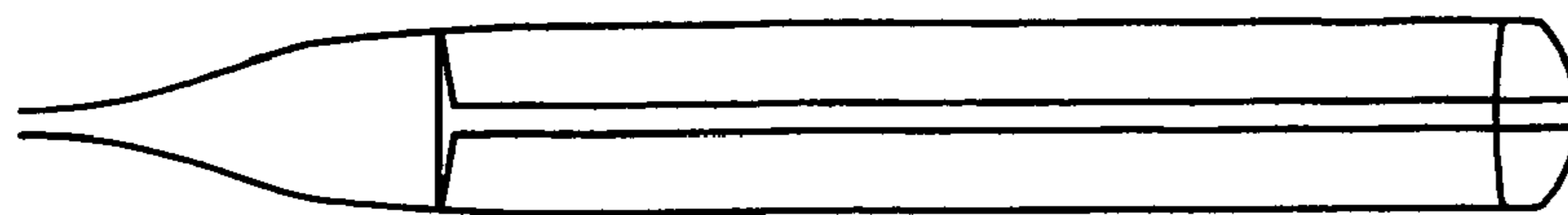


FIG. 3

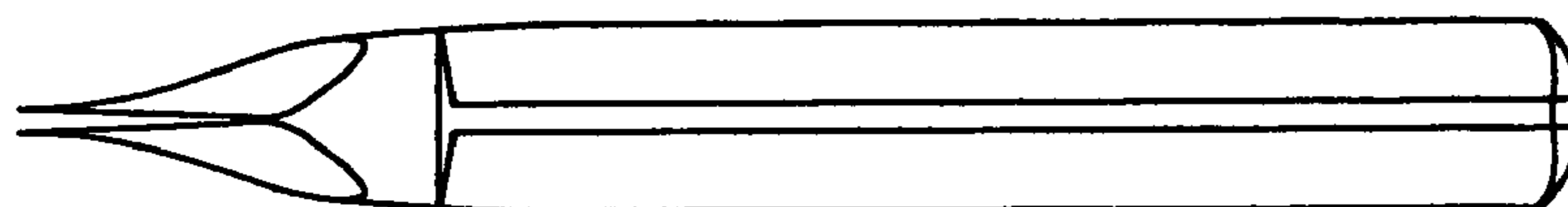


FIG. 4

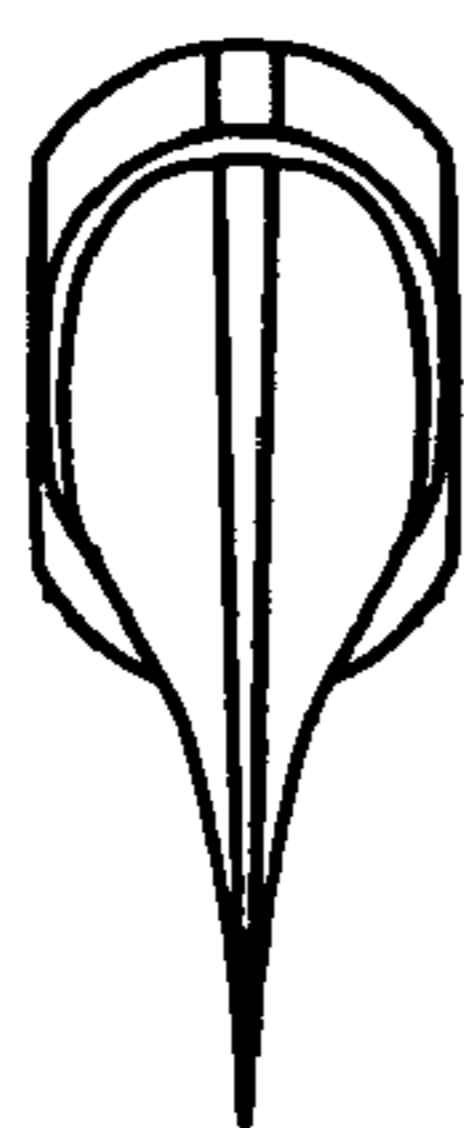


FIG. 5

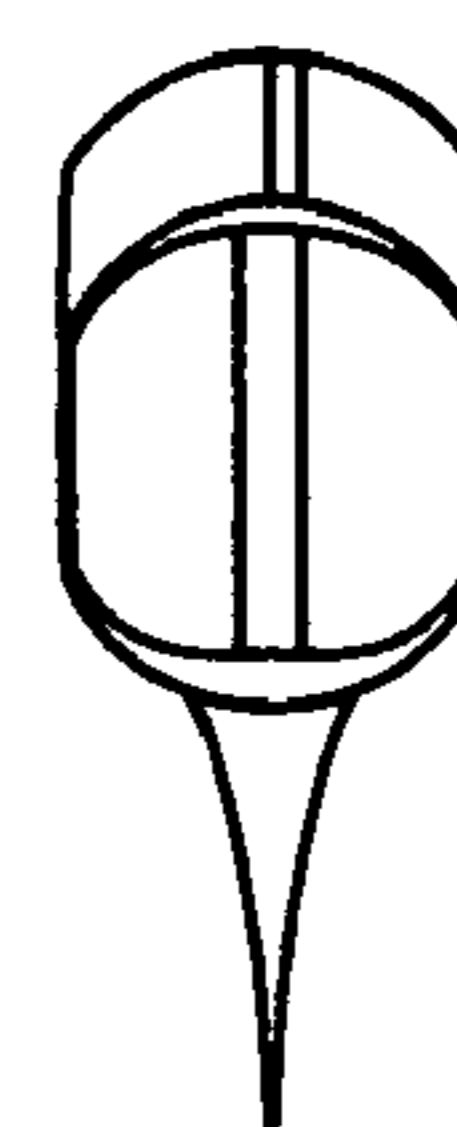


FIG. 6

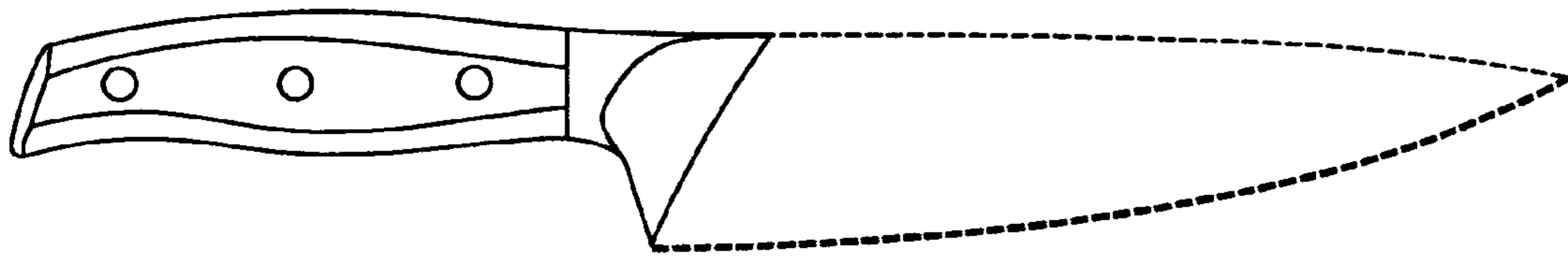


FIG. 7