



US00D649839S

(12) **United States Design Patent**
Stamper et al.

(10) **Patent No.:** **US D649,839 S**

(45) **Date of Patent:** **** Dec. 6, 2011**

(54) **CONTAINER**

(75) Inventors: **Leonard R. Stamper**, Anaheim Hills, CA (US); **Brian Sykes**, Mission Viejo, CA (US)

(73) Assignee: **Shye Worldwide, LLC, (CA Ltd Liability Co.)** CA (US)

(**) Term: **14 Years**

(21) Appl. No.: **29/370,932**

(22) Filed: **Sep. 22, 2010**

(51) **LOC (9) Cl.** **07-01**

(52) **U.S. Cl.** **D7/602**

(58) **Field of Classification Search** D7/500, D7/550.1, 554.3, 554.4, 586, 601, 602, 629, D7/396.1, 538-546; D3/272, 273; D9/414, D9/424, 425, 426, 427, 430, 431, 432, 761; 220/573.1, 573.2, 574, 495.03, 62.11, 62.13, 220/660, 669, 675

See application file for complete search history.

(56) **References Cited**

U.S. PATENT DOCUMENTS

D174,506 S *	4/1955	Levanhage	D7/602
D212,594 S *	11/1968	Collie	D9/425
D213,310 S *	2/1969	Collie	D9/425
D279,952 S *	8/1985	Daenen et al.	D7/629
D281,048 S *	10/1985	Wolff	D7/602
D282,809 S *	3/1986	Daenen et al.	D7/602
D287,559 S *	1/1987	Daenen et al.	D7/586
4,819,824 A *	4/1989	Longbottom et al.	220/266
4,976,370 A *	12/1990	Cassel	220/792
D316,513 S *	4/1991	Wolff	D9/431
5,258,212 A *	11/1993	Tomaru et al.	428/36.8
D377,739 S *	2/1997	Carlson	D7/602
5,624,051 A *	4/1997	Ahern et al.	220/553

D384,555 S *	10/1997	Bradley	D7/545
D415,935 S *	11/1999	Martinez	D7/602
D420,859 S *	2/2000	Loew et al.	D7/602
D432,866 S *	10/2000	Harrison	D7/545
D530,625 S *	10/2006	Darin	D9/761
7,261,219 B2 *	8/2007	Tucker et al.	220/793
D553,444 S *	10/2007	de Groote et al.	D7/602
D559,042 S *	1/2008	de Groote et al.	D7/602
D608,153 S *	1/2010	Furlong	D7/602
D608,154 S *	1/2010	Furlong	D7/602
D614,919 S *	5/2010	Carlson	D7/602
D630,898 S *	1/2011	de Groote	D7/602
D630,899 S *	1/2011	Samartgis	D7/602
D630,901 S *	1/2011	Samartgis	D7/602
D631,299 S *	1/2011	Samartgis	D7/602
D631,300 S *	1/2011	Samartgis	D7/602
D631,706 S *	2/2011	Samartgis	D7/602
D631,707 S *	2/2011	Samartgis	D7/602
2006/0032858 A1 *	2/2006	Lee et al.	220/793

* cited by examiner

Primary Examiner — Elizabeth J Oswecki

(74) *Attorney, Agent, or Firm* — Curtis L. Harrington; Harrington & Harrington

(57) **CLAIM**

The ornamental design for an container, as shown and described.

DESCRIPTION

FIG. 1 is a perspective view of a container showing our new design;
FIG. 2 is a front view thereof;
FIG. 3 is a right side view thereof;
FIG. 4 is a rear view thereof;
FIG. 5 is a left side view thereof;
FIG. 6 is a top view thereof; and,
FIG. 7 is a bottom view thereof.

1 Claim, 3 Drawing Sheets

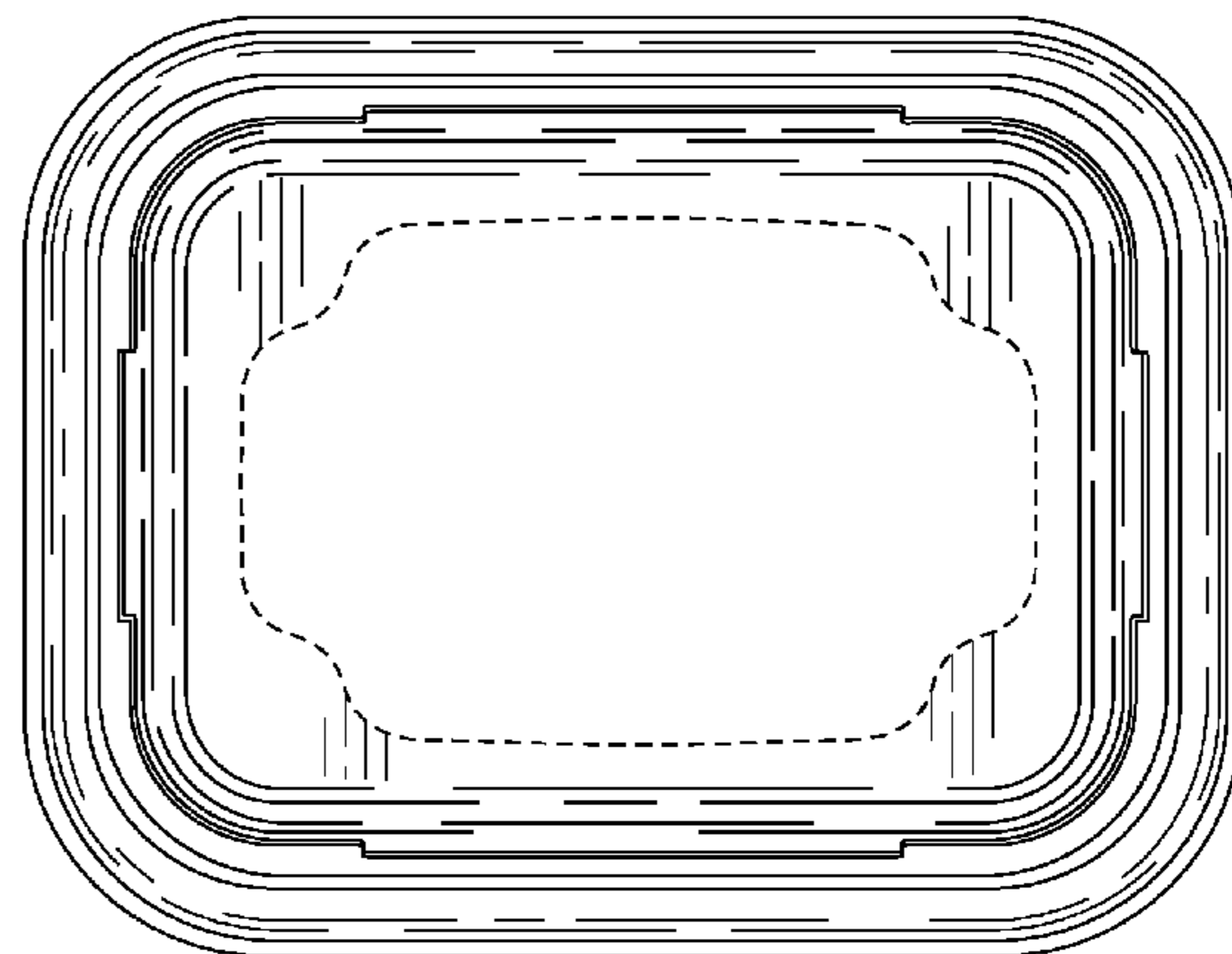
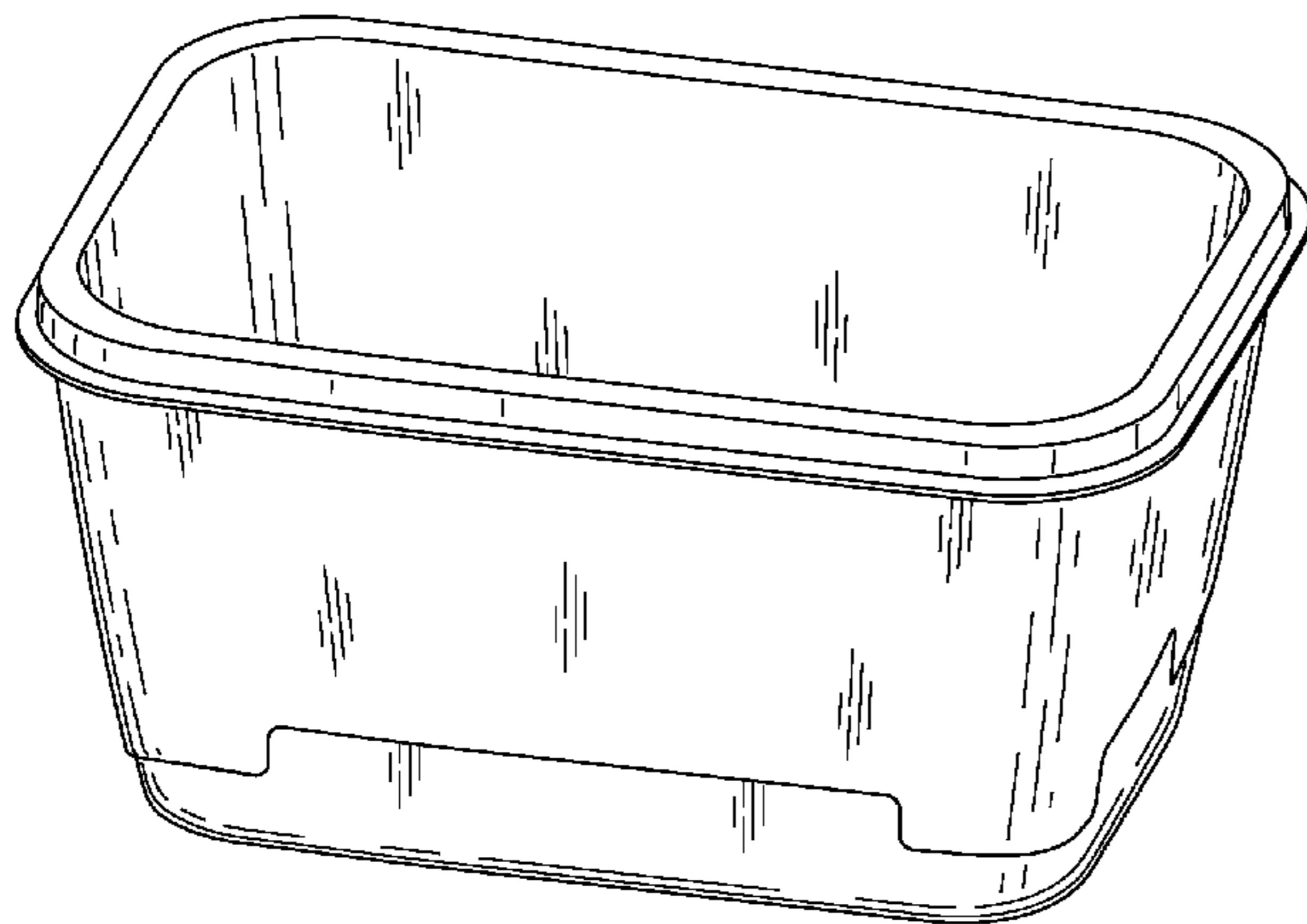


FIG. 1

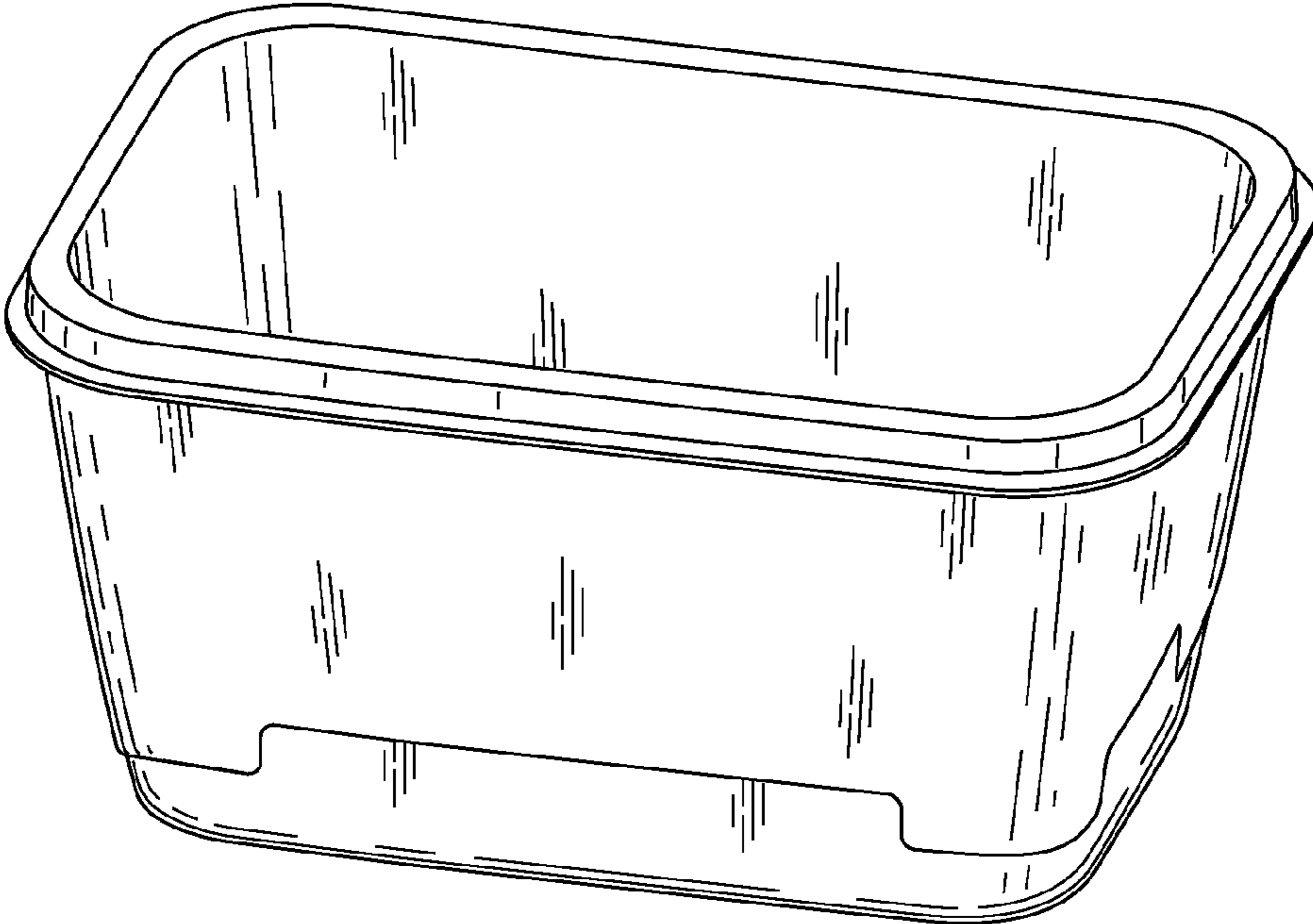


FIG. 2

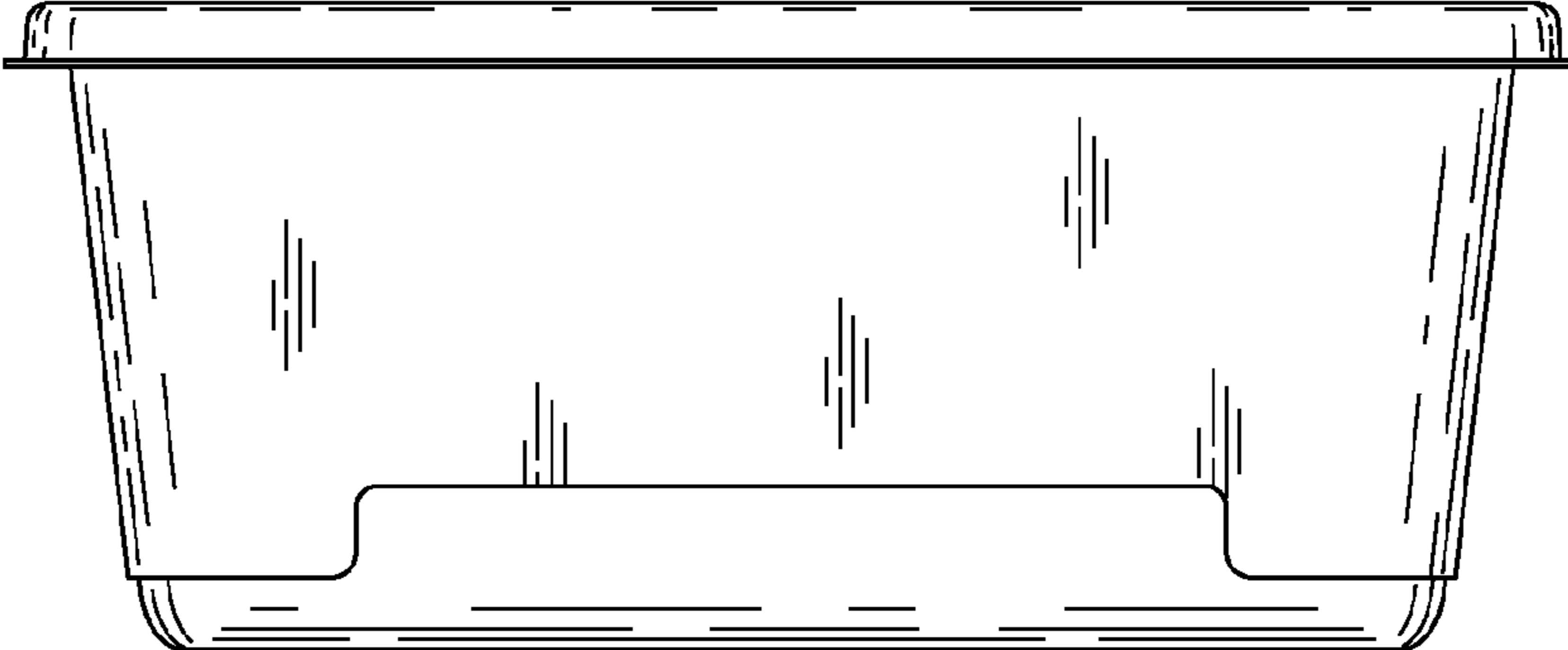


FIG. 3

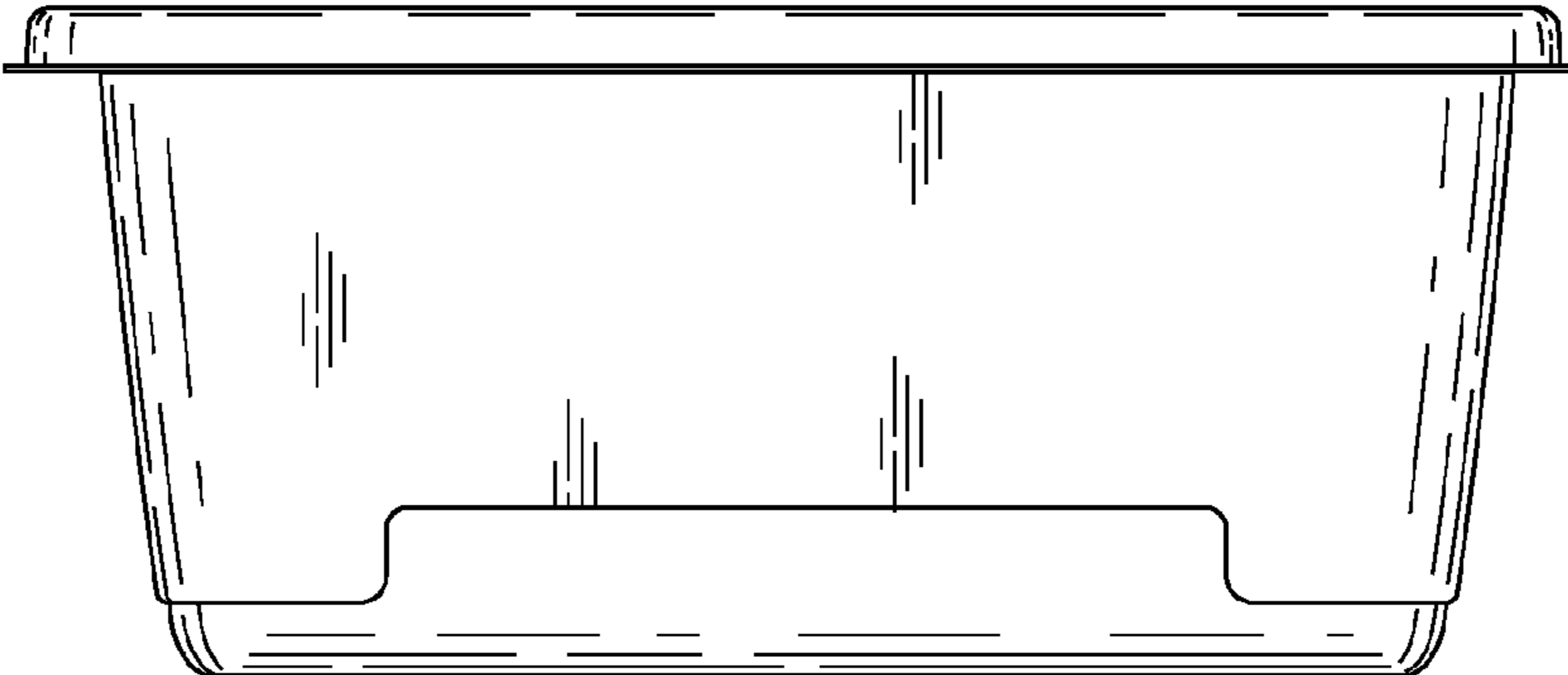


FIG. 4

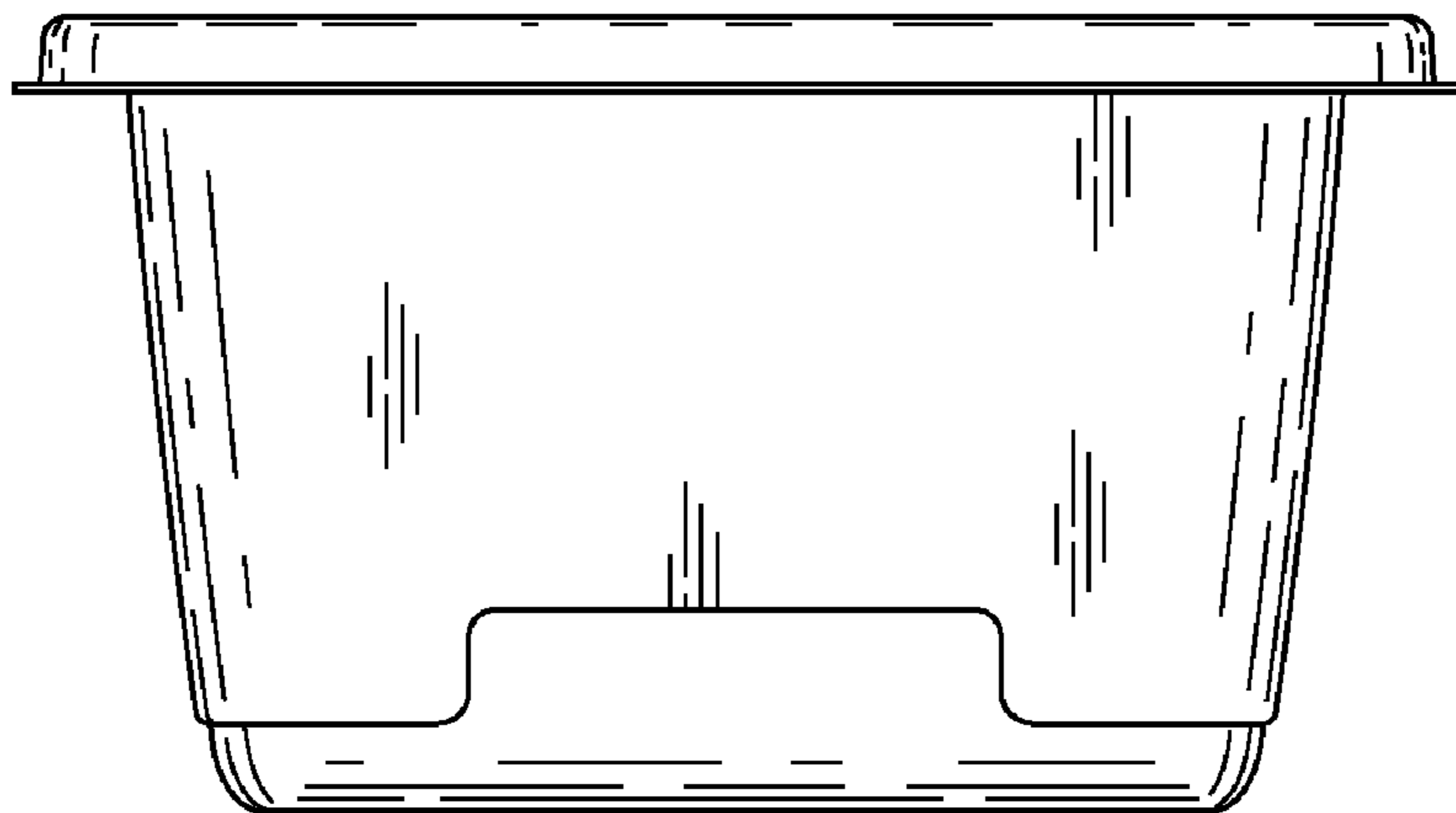


FIG. 5

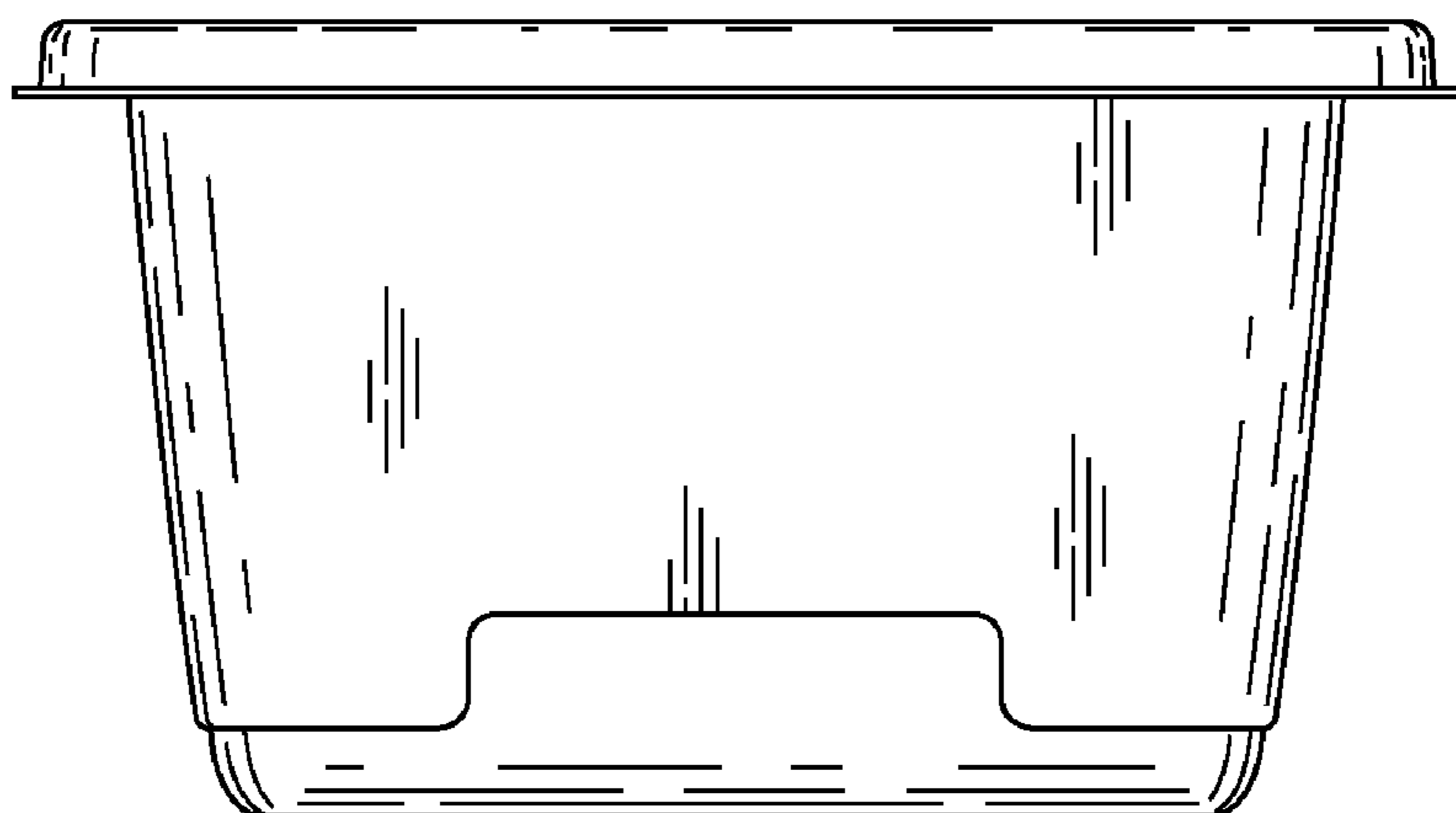


FIG. 6

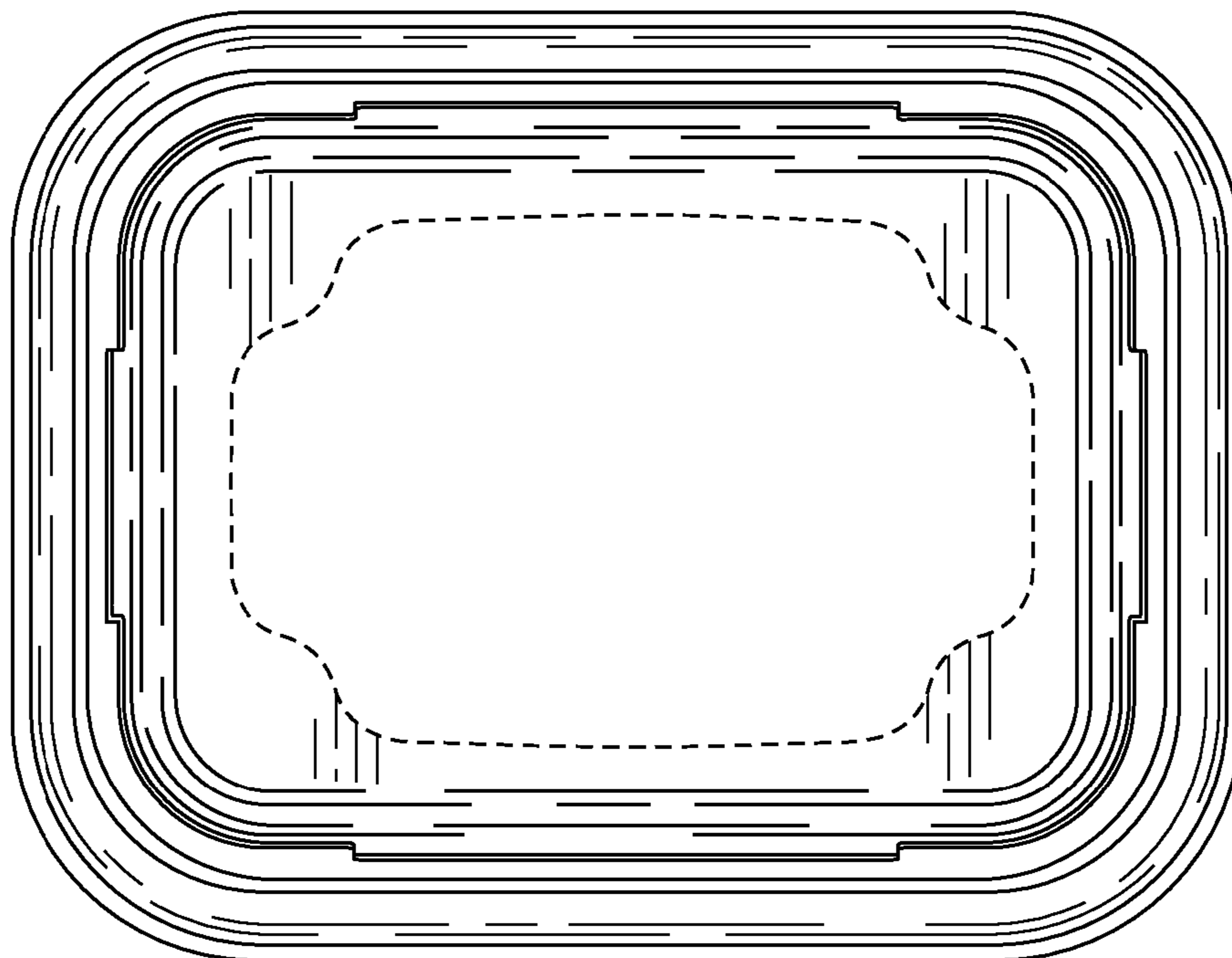


FIG. 7

