



US00D649838S

(12) **United States Design Patent**
Stamper et al.

(10) **Patent No.:** **US D649,838 S**

(45) **Date of Patent:** **** Dec. 6, 2011**

(54) **CONTAINER**

(75) Inventors: **Leonard R. Stamper**, Anaheim Hills,
CA (US); **Brian Sykes**, Mission Viejo,
CA (US)

(73) Assignee: **Shye Worldwide, LLC, (CA Ltd**
Liability Co.), CA (US)

(**) Term: **14 Years**

(21) Appl. No.: **29/370,930**

(22) Filed: **Sep. 22, 2010**

(51) **LOC (9) Cl.** **07-01**

(52) **U.S. Cl.** **D7/602**

(58) **Field of Classification Search** D7/500,
D7/550.1, 553.1, 553.2, 553.4, 553.7, 554.3,
D7/554.4, 555, 586, 601, 602, 629, 701, 703,
D7/396.1, 538-546; D3/272, 273; D9/414,
D9/424, 425, 426, 427, 430, 431, 432, 761;
220/574, 575, 495.03, 500, 528, 529, 532,
220/553, 554, 555, 556, 557, 62.11, 62.13

See application file for complete search history.

(56) **References Cited**

U.S. PATENT DOCUMENTS

3,391,816	A *	7/1968	Swett	220/534
D212,594	S *	11/1968	Collie	D9/425
D213,310	S *	2/1969	Collie	D9/425
D219,263	S *	11/1970	Castell	D9/757
D224,554	S *	8/1972	Swett	D7/629
D232,302	S *	8/1974	Laure	D9/761
D235,498	S *	6/1975	Day	D7/553.3
D258,632	S *	3/1981	Commisso	D7/553.2
4,346,813	A *	8/1982	Cho et al.	220/532
4,574,174	A *	3/1986	McGonigle	219/735
D283,666	S *	5/1986	Holz Kopf	D7/553.2
D318,207	S *	7/1991	Anderson	D7/549

5,419,451	A *	5/1995	Bitel, Jr.	220/575
D367,172	S *	2/1996	Brightbill et al.	D3/310
D372,170	S *	7/1996	Ahern, Jr.	D7/549
5,624,051	A *	4/1997	Ahern et al.	220/553
D384,555	S *	10/1997	Bradley	D7/545
D420,855	S *	2/2000	Hurley	D7/549
D433,592	S *	11/2000	Hopkins	D7/359
D448,130	S *	9/2001	Wagner	D32/53.1
6,471,084	B2 *	10/2002	Erb	220/359.4
D466,758	S *	12/2002	Bradley	D7/357
D484,364	S *	12/2003	Bailey et al.	D7/553.2
D530,625	S *	10/2006	Darin	D9/761
D537,633	S *	3/2007	Marnell, II	D3/313
D559,042	S *	1/2008	de Groote et al.	D7/602
D559,613	S *	1/2008	DeMirjian, III	D7/357
D596,903	S *	7/2009	Willis et al.	D7/553.2
D608,153	S *	1/2010	Furlong	D7/602
D630,901	S *	1/2011	Samartgis	D7/602
D631,707	S *	2/2011	Samartgis	D7/602
D633,341	S *	3/2011	Smyers	D7/555

* cited by examiner

Primary Examiner — Elizabeth J Oswecki

(74) *Attorney, Agent, or Firm* — Curtis L. Harrington;
Harrington & Harrington

(57) **CLAIM**

The ornamental design for an container, as shown and described.

DESCRIPTION

FIG. 1 is a perspective view of a container showing our new design;
FIG. 2 is a front view thereof;
FIG. 3 is a rear view thereof;
FIG. 4 is a right side view thereof;
FIG. 5 is a left side view thereof;
FIG. 6 is a top view thereof; and,
FIG. 7 is a bottom view thereof.

1 Claim, 3 Drawing Sheets

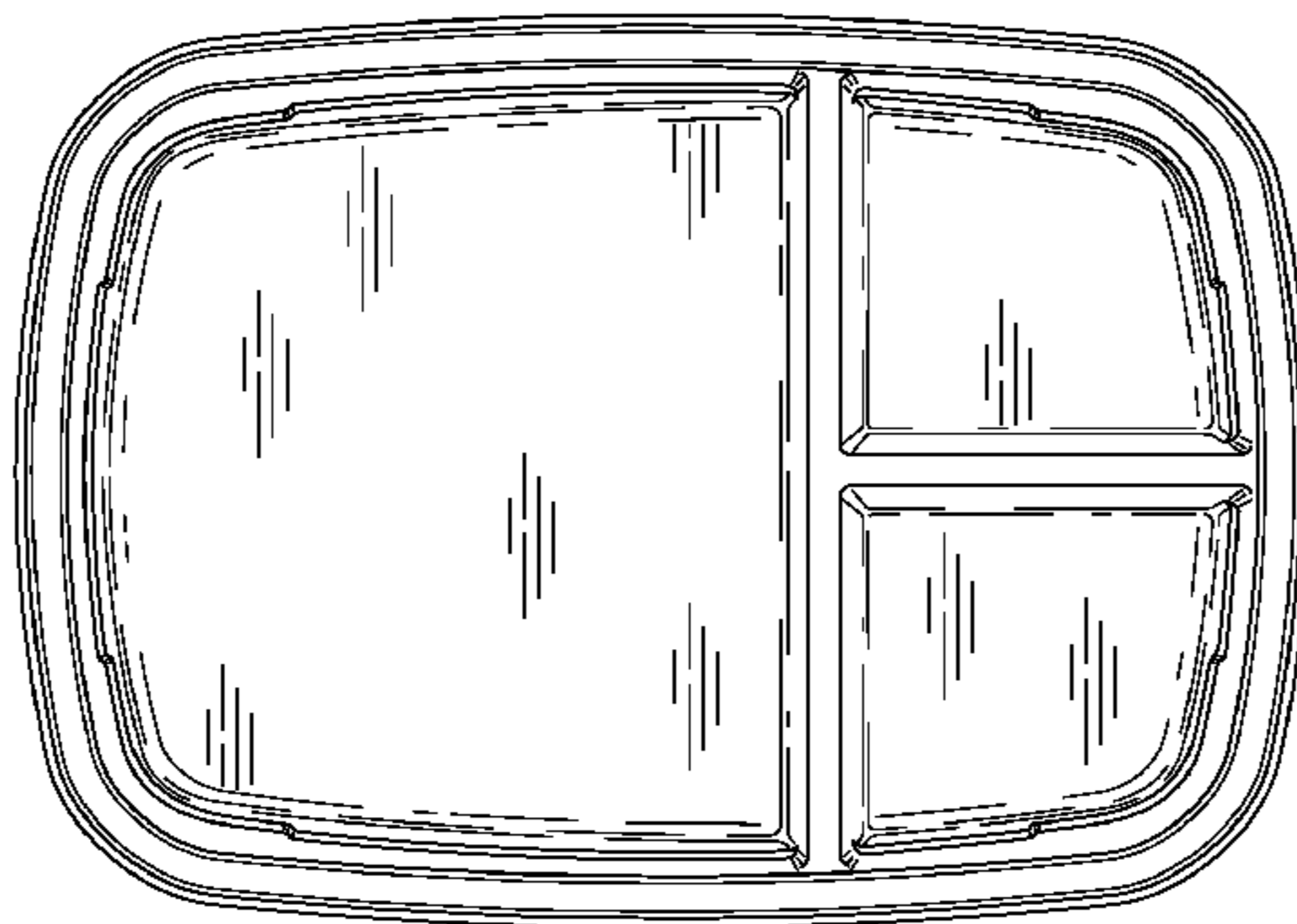
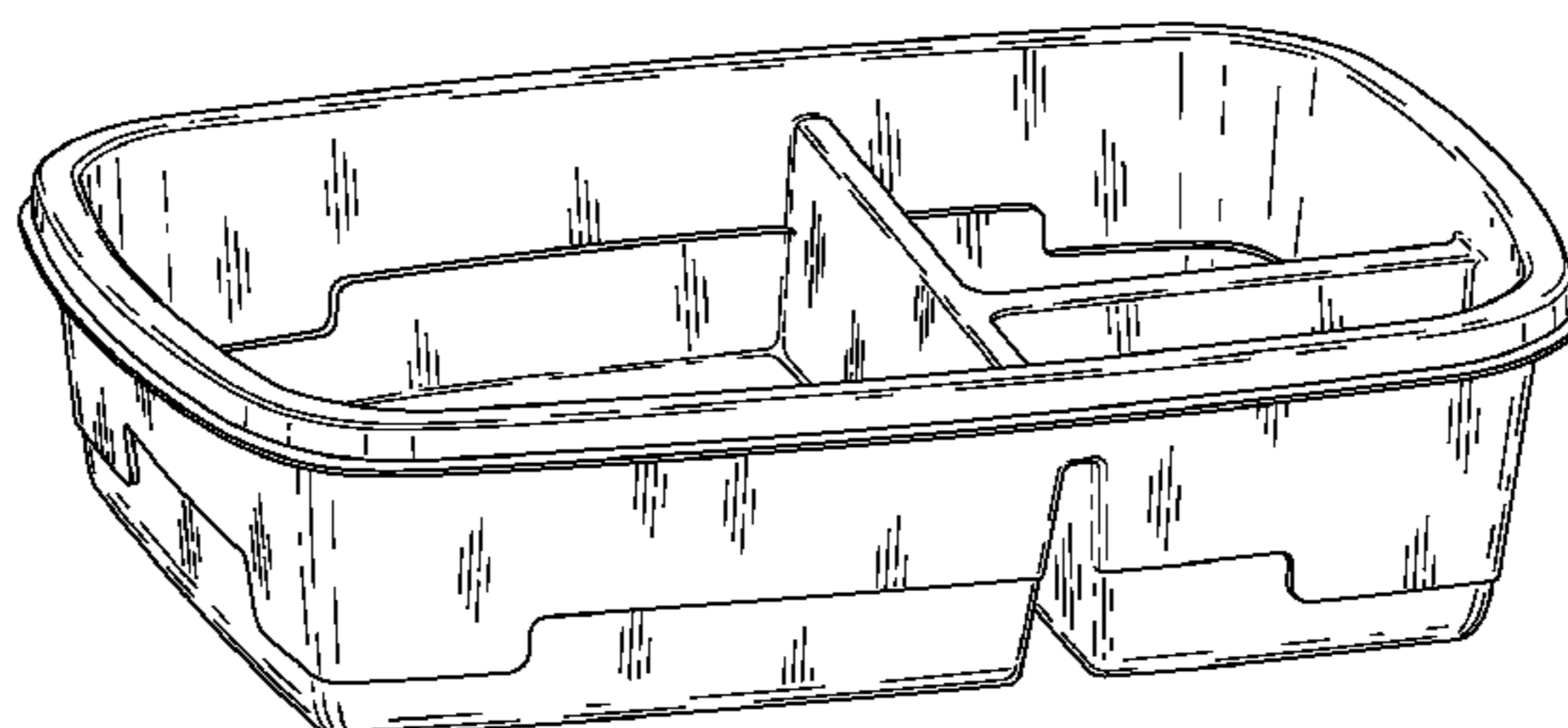


FIG. 1

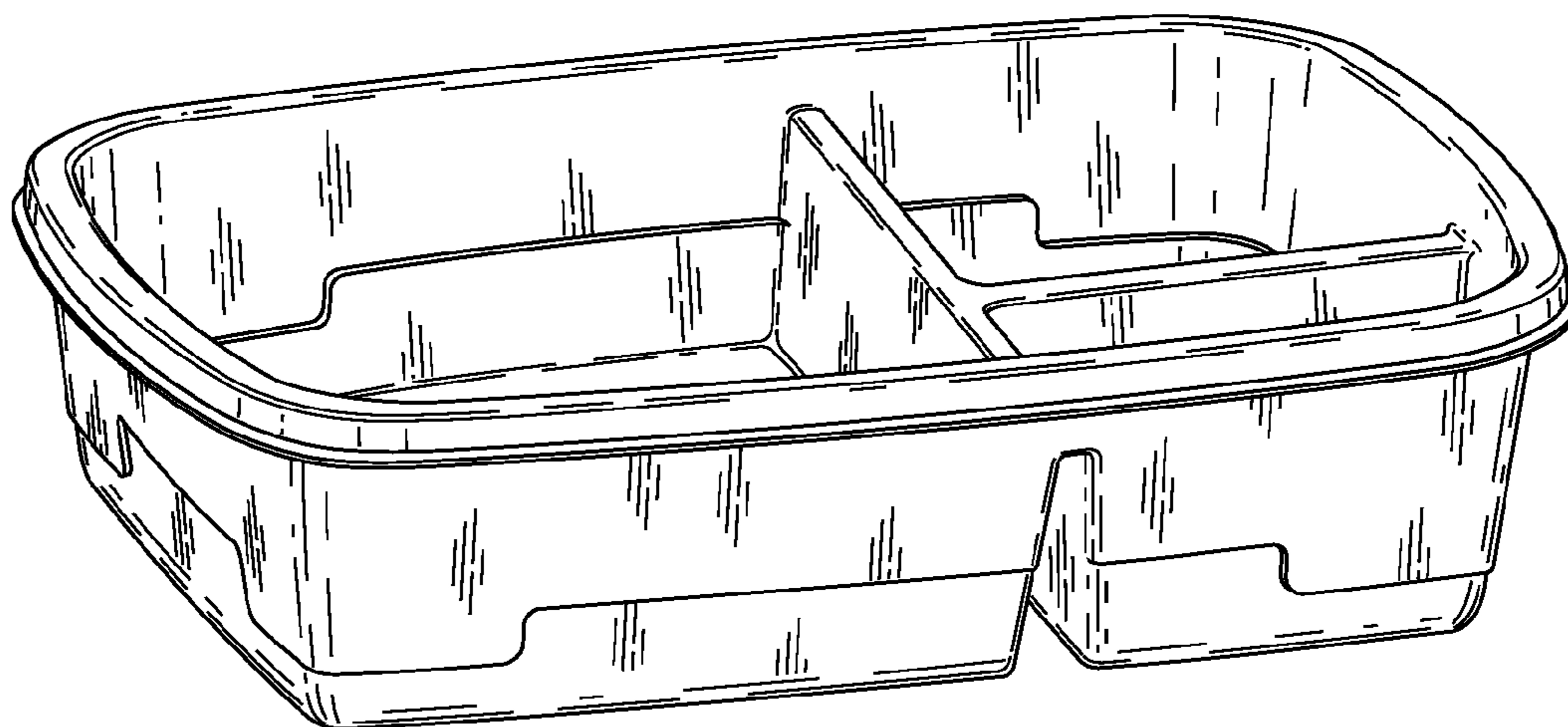


FIG. 2

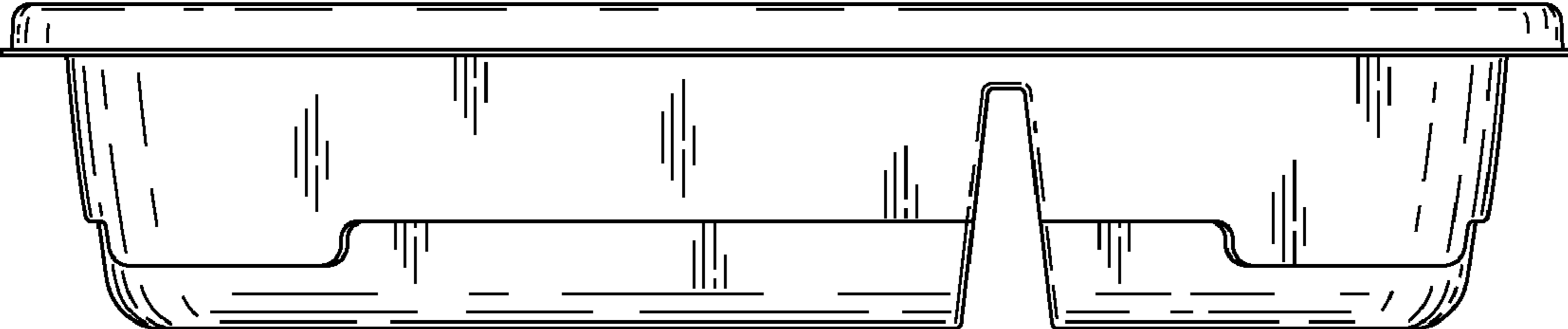


FIG. 3

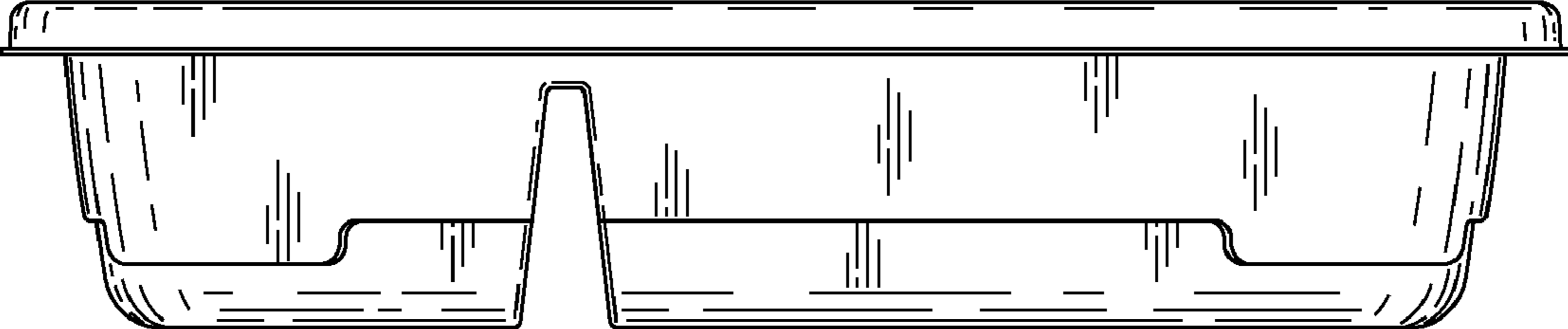


FIG. 4

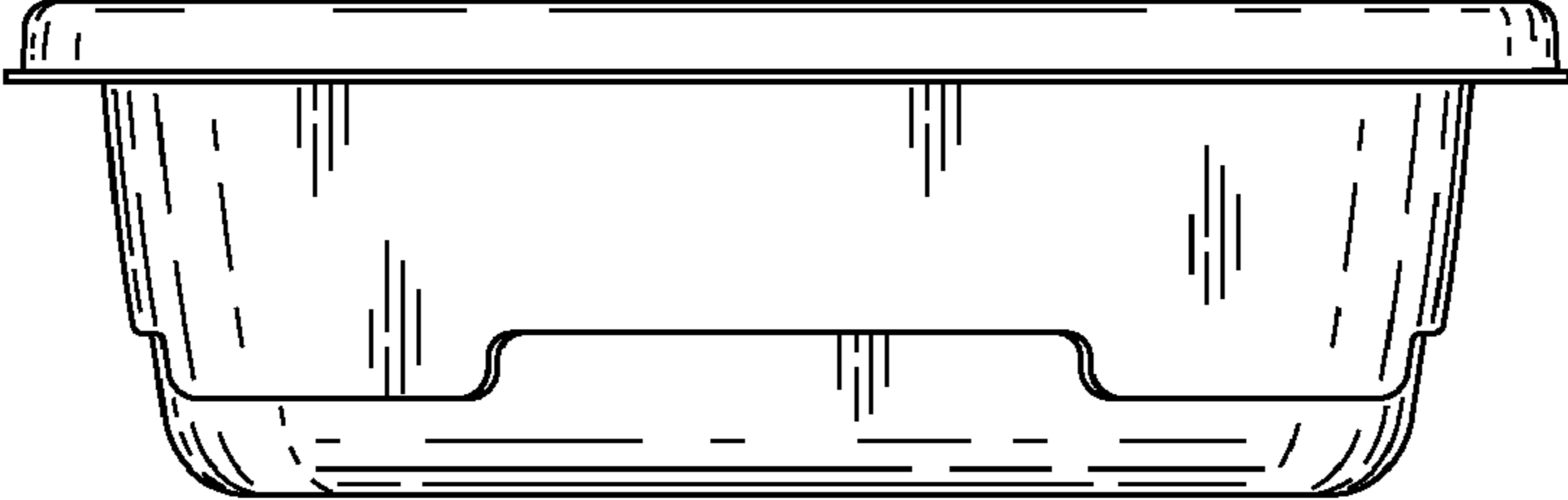


FIG. 5

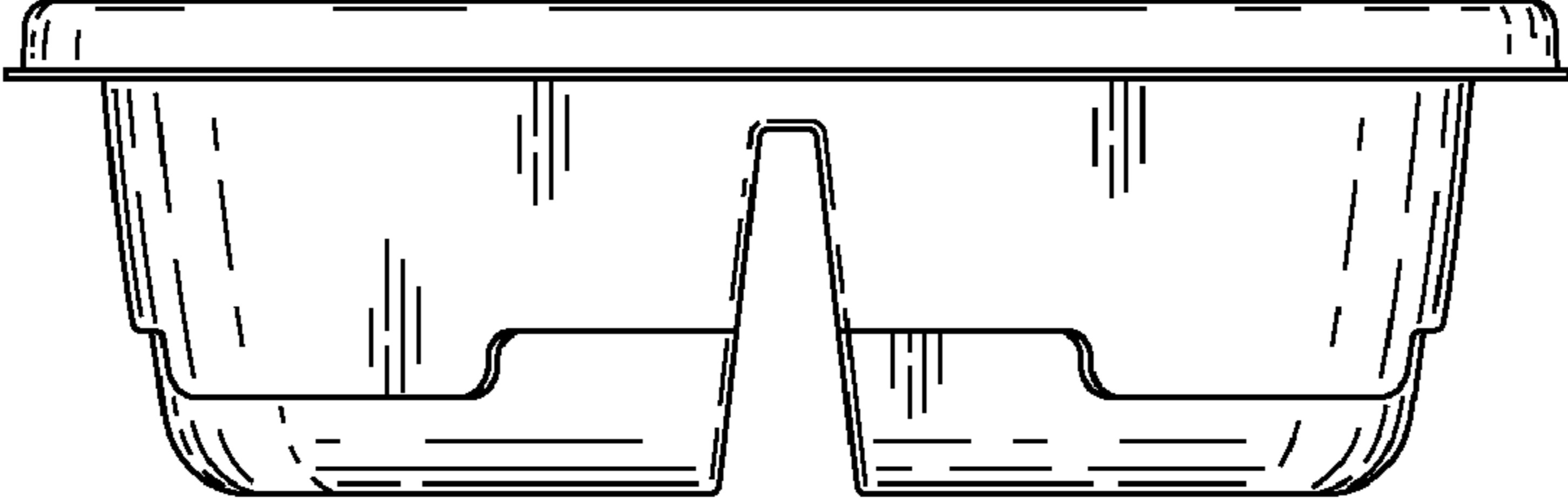


FIG. 6

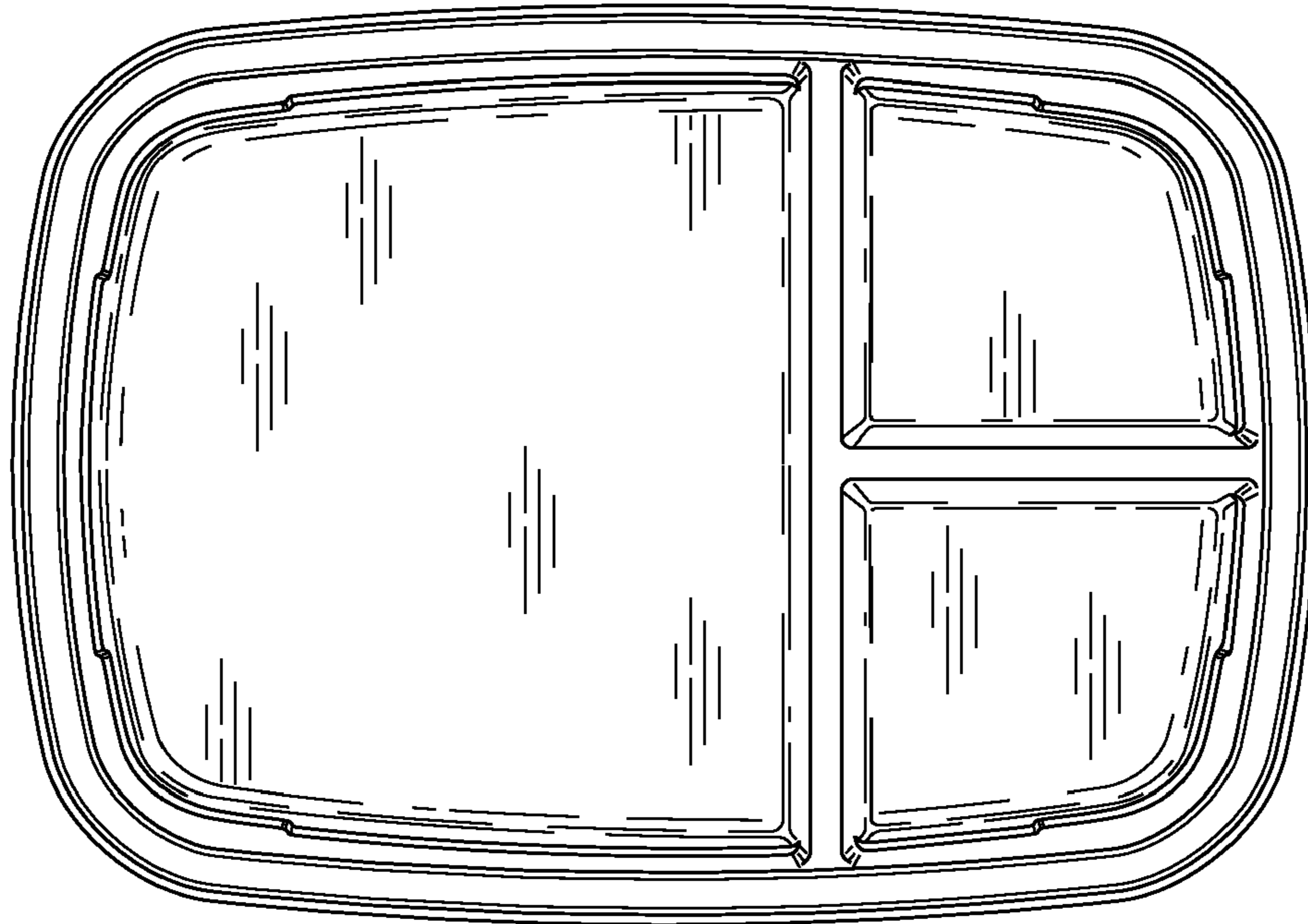


FIG. 7

