



US00D649835S

(12) **United States Design Patent**
Lim

(10) **Patent No.:** **US D649,835 S**

(45) **Date of Patent:** **** Dec. 6, 2011**

- (54) **SIP CUP**
 - (75) Inventor: **Hanna Lim**, Pasadena, CA (US)
 - (73) Assignee: **Hanmark Inc.**, Pasadena, CA (US)
 - (**) Term: **14 Years**
 - (21) Appl. No.: **29/368,195**
 - (22) Filed: **Aug. 19, 2010**
 - (51) **LOC (9) Cl.** **07-01**
 - (52) **U.S. Cl.** **D7/516; D7/519; D7/534**
 - (58) **Field of Classification Search** D7/509,
D7/514, 515, 521, 518, 396.6, 392.2, 537,
D7/526, 524, 516, 519, 534; 215/383, 372;
D26/11; D9/608
- See application file for complete search history.

6,050,433	A	4/2000	Russell et al.	
D427,855	S *	7/2000	Baker	D7/516
D454,642	S	3/2002	Hakim	
6,394,319	B1	5/2002	Pucillo	
6,609,624	B2	8/2003	Goto et al.	
6,779,693	B2	8/2004	Sweeton et al.	
6,833,072	B1	12/2004	Krestine et al.	
6,837,404	B2	1/2005	Torres et al.	
6,955,305	B2	10/2005	Banach	
7,124,907	B2	10/2006	Conaway	
D546,061	S *	7/2007	Jhuang	D3/271.2
D551,021	S *	9/2007	Rouso et al.	D7/510
D554,432	S *	11/2007	Roth et al.	D7/516
7,516,862	B2	4/2009	McDonough	
7,549,548	B2	6/2009	Kraus et al.	
2008/0169356	A1	7/2008	Trejo	

* cited by examiner

Primary Examiner — Marianne Pandozzi

(74) *Attorney, Agent, or Firm* — Tsircou Law, P.C.

(56) **References Cited**

U.S. PATENT DOCUMENTS

D87,168	S *	6/1932	Moller et al.	D21/590
3,547,296	A	12/1970	Greenberg	
D233,900	S *	12/1974	Stubbman	D21/611
3,990,596	A	11/1976	Hoftman	
4,273,272	A	6/1981	Blanc	
4,830,235	A	5/1989	Miller	
4,940,152	A	7/1990	Lin	
D334,139	S *	3/1993	Gozzini	D9/608
5,242,079	A	9/1993	Stephens et al.	
5,273,172	A	12/1993	Rosbach et al.	
D358,298	S *	5/1995	Brown et al.	D7/516
D366,987	S *	2/1996	Allegre	D7/510
D382,170	S	8/1997	Green	
5,657,909	A	8/1997	Barriac	
D408,220	S	4/1999	Chomik	
5,934,519	A	8/1999	Kim et al.	
5,979,715	A	11/1999	Emrick	

(57) **CLAIM**

I claim the ornamental design for a sip cup, as shown and described.

DESCRIPTION

FIG. 1 is a front elevational view of a sip cup in accordance with the new design.

FIG. 2 is a back elevational view of the sip cup of FIG. 1.

FIG. 3 is a right side elevational view of the sip cup of FIG. 1.

FIG. 4 is a left side elevational view of the sip cup of FIG. 1.

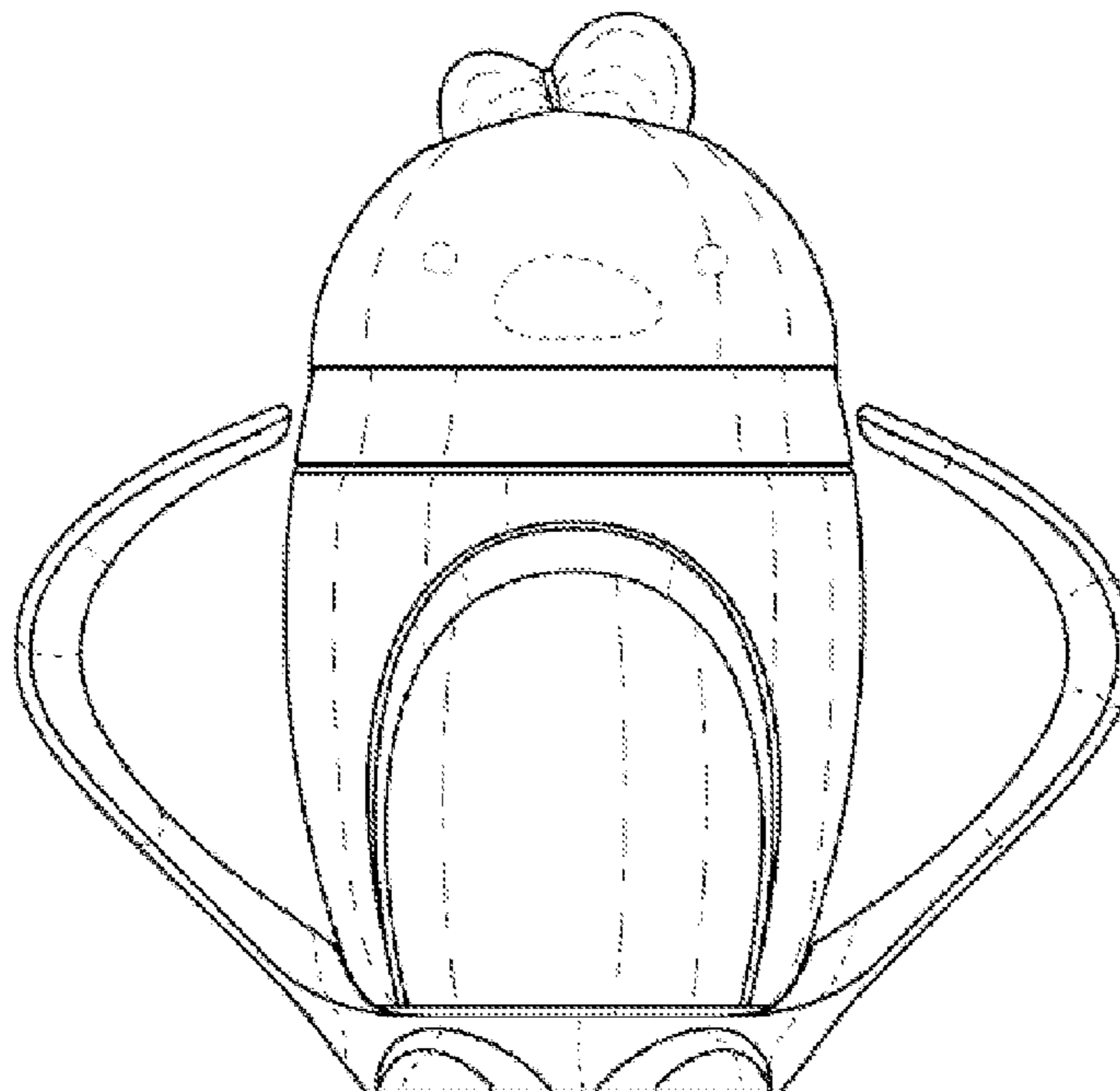
FIG. 5 is a right perspective view of the sip cup of FIG. 1.

FIG. 6 is a top view of the sip cup of FIG. 1; and,

FIG. 7 is a bottom view of the sip cup of FIG. 1.

The dashed lines depict environmental aspects and form no part of the claimed design.

1 Claim, 3 Drawing Sheets



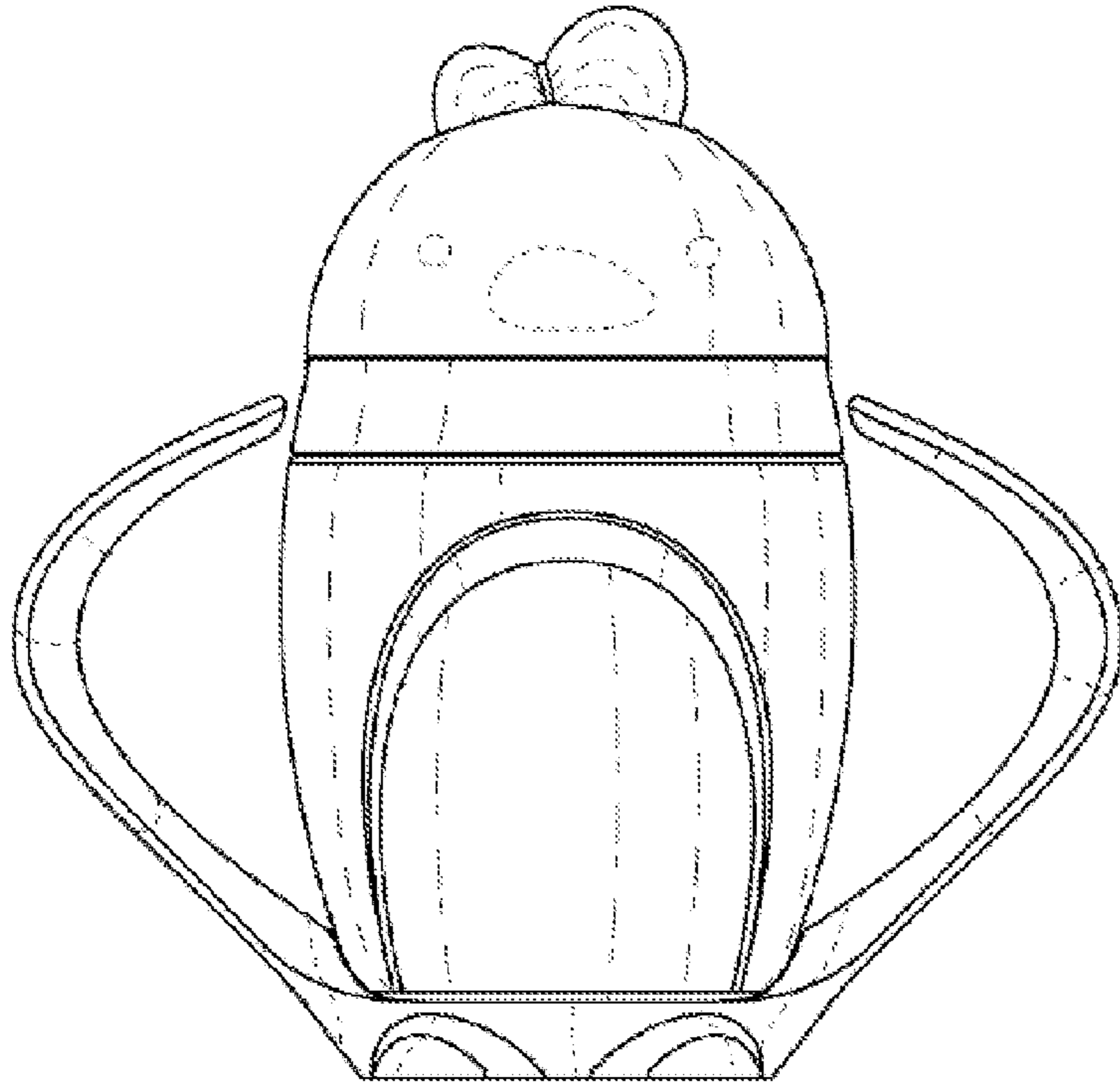


FIG. 1

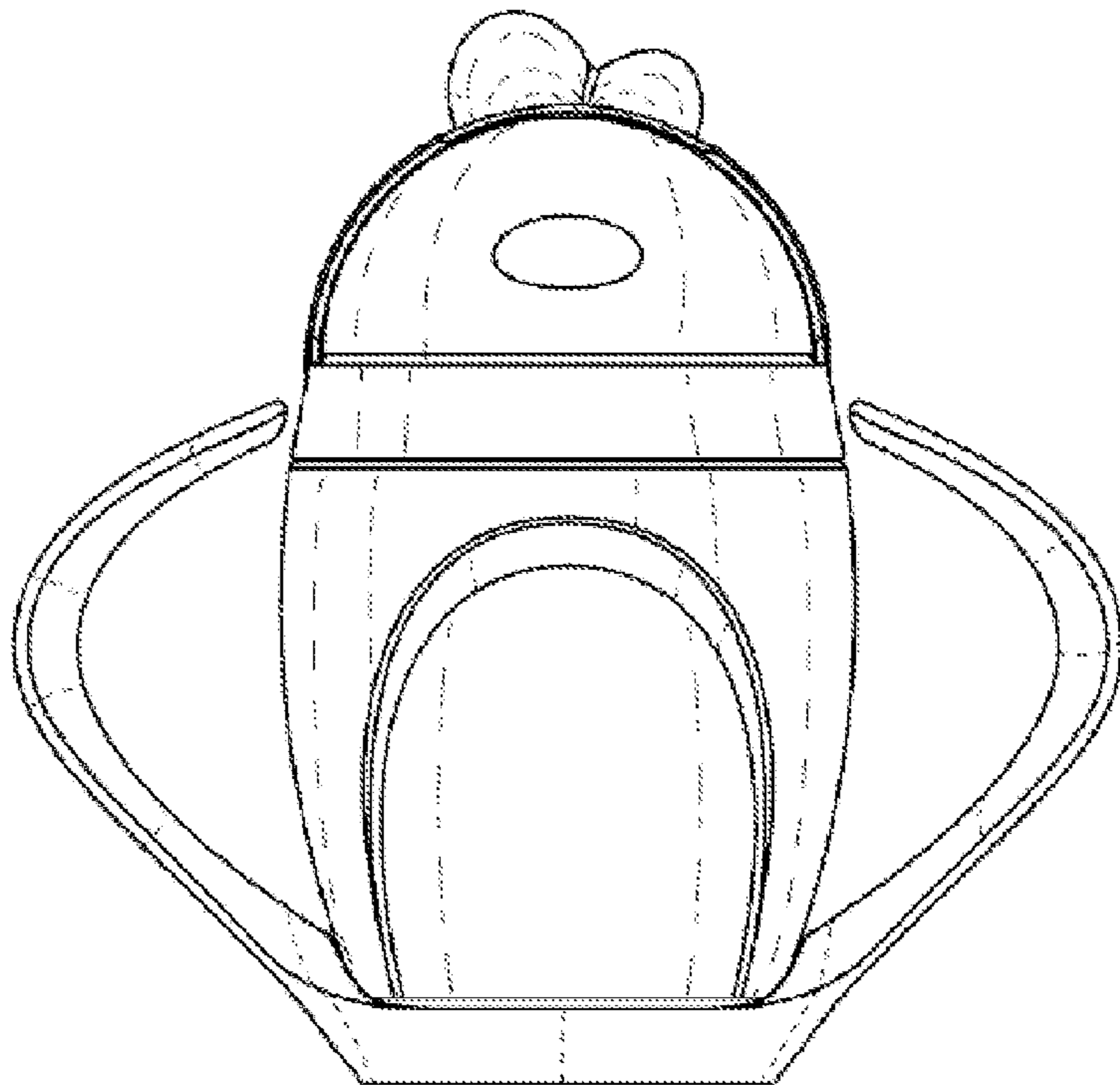


FIG. 2

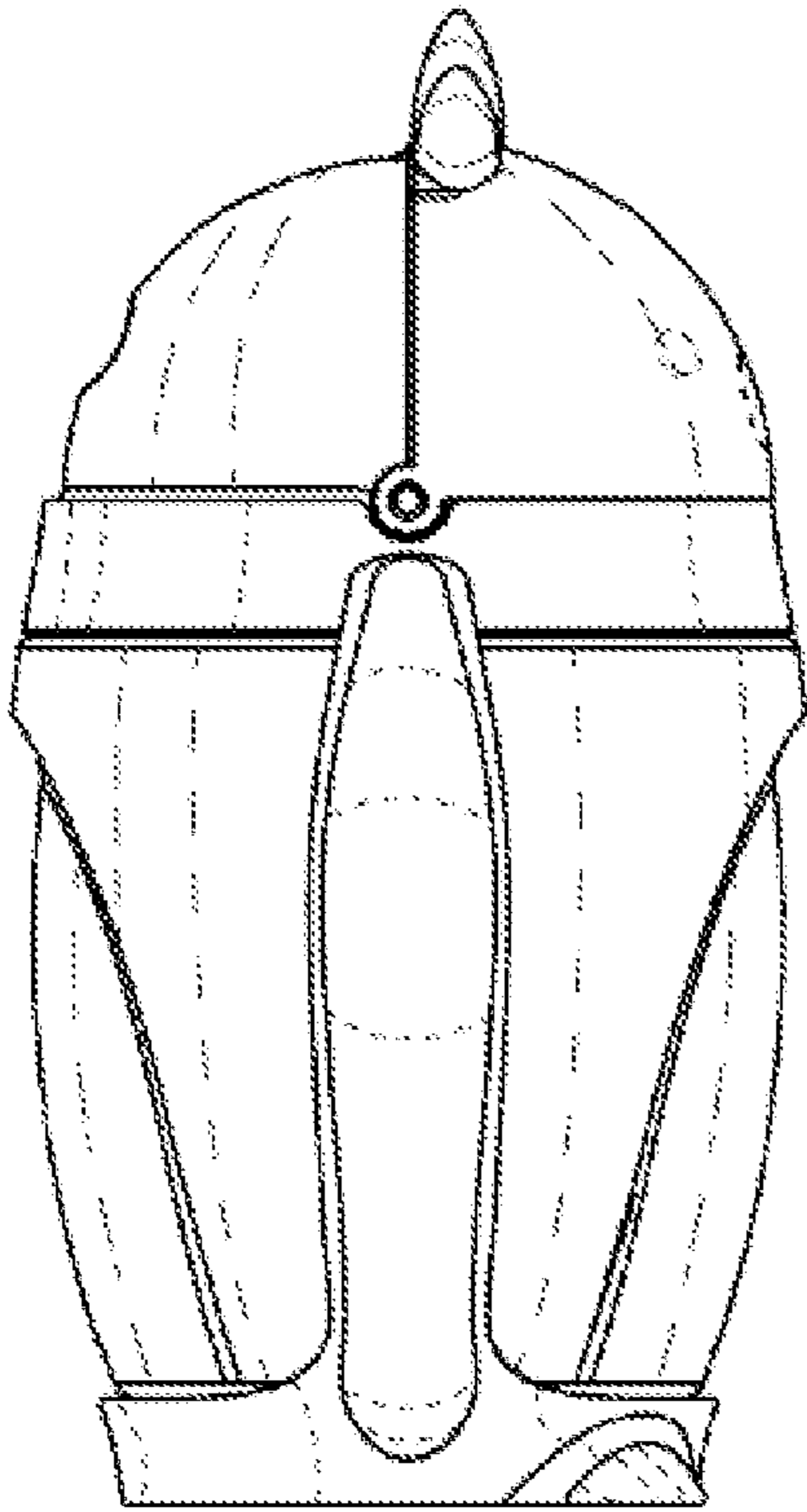


FIG. 3

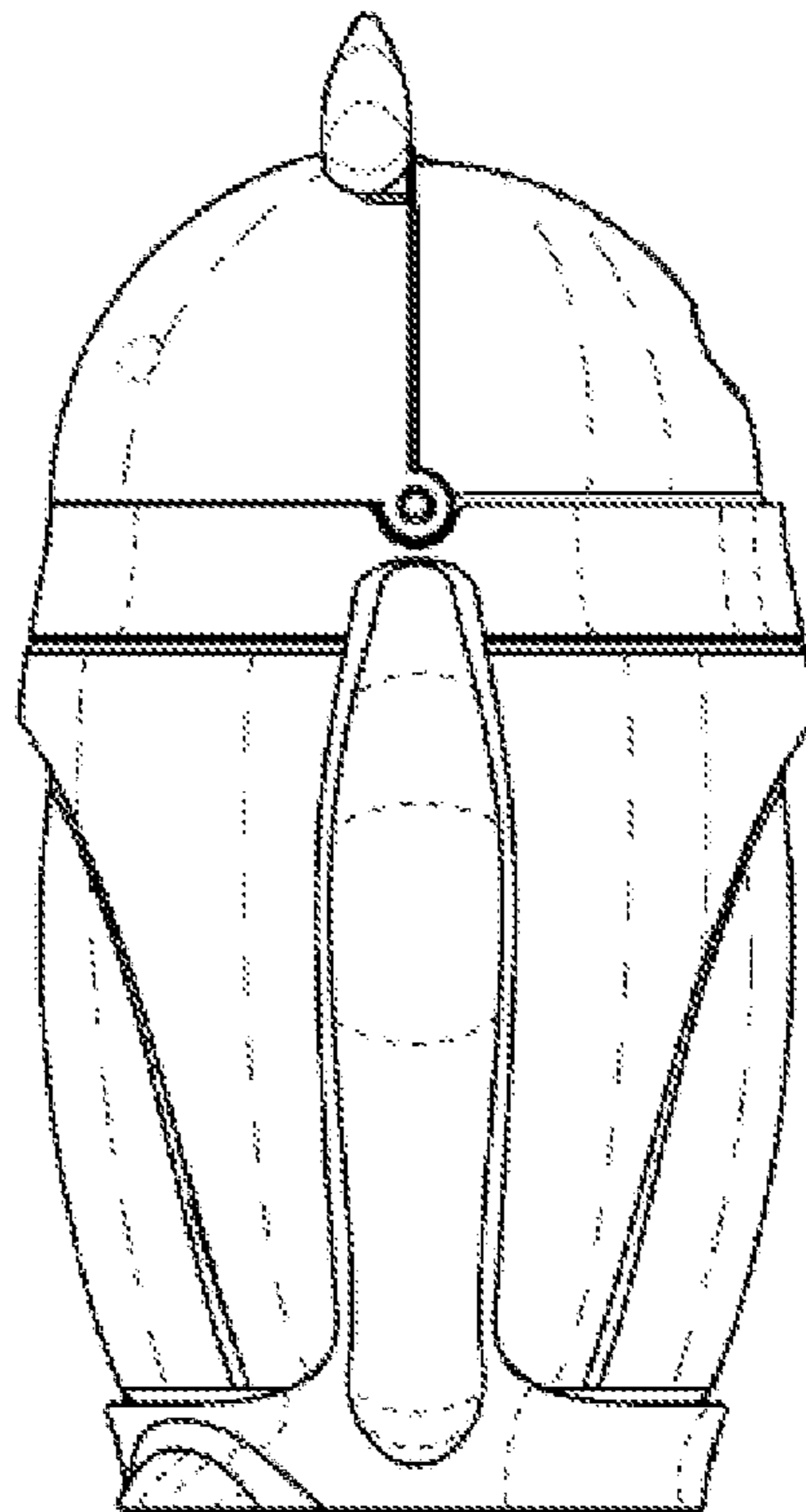


FIG. 4

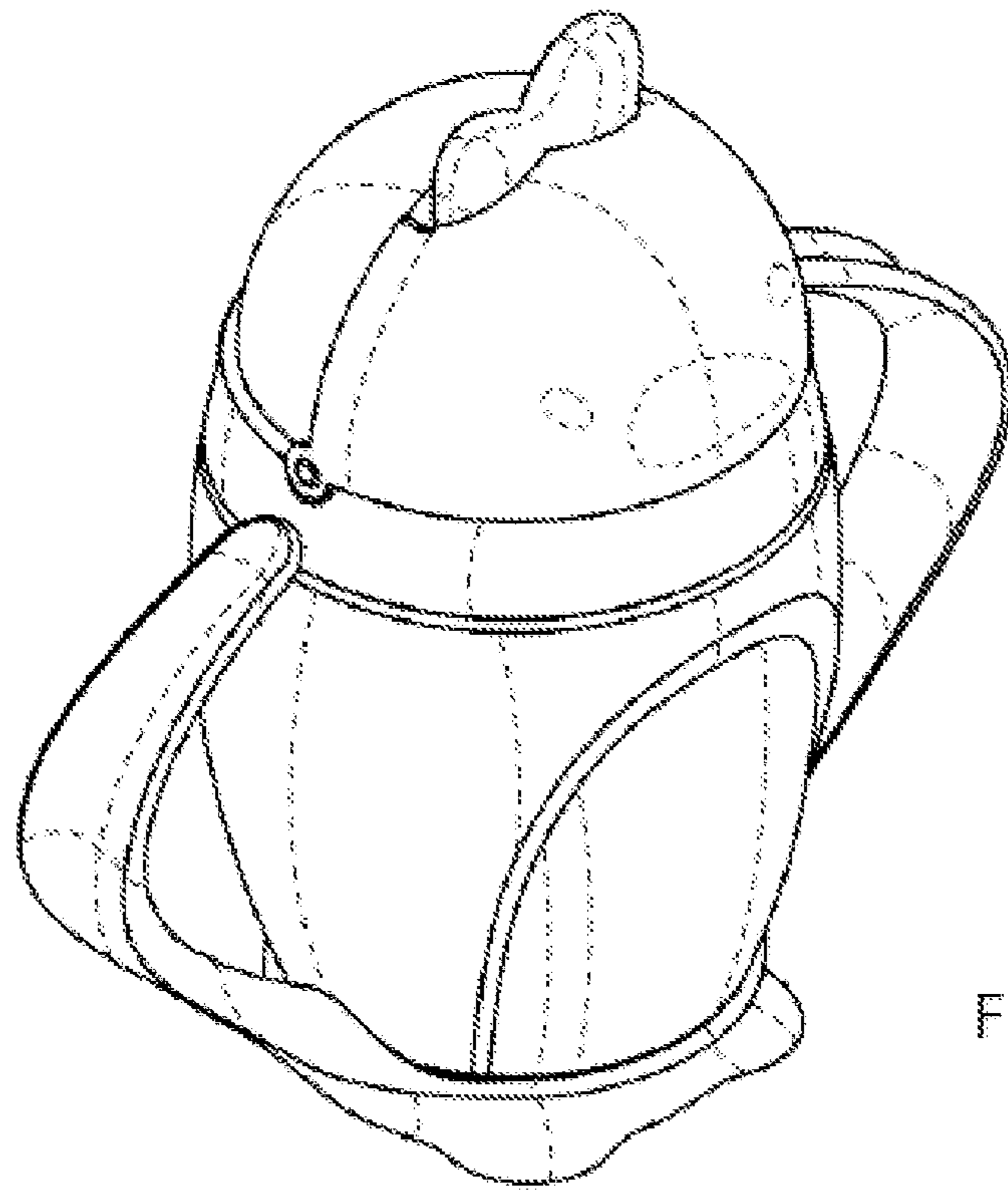


FIG. 5

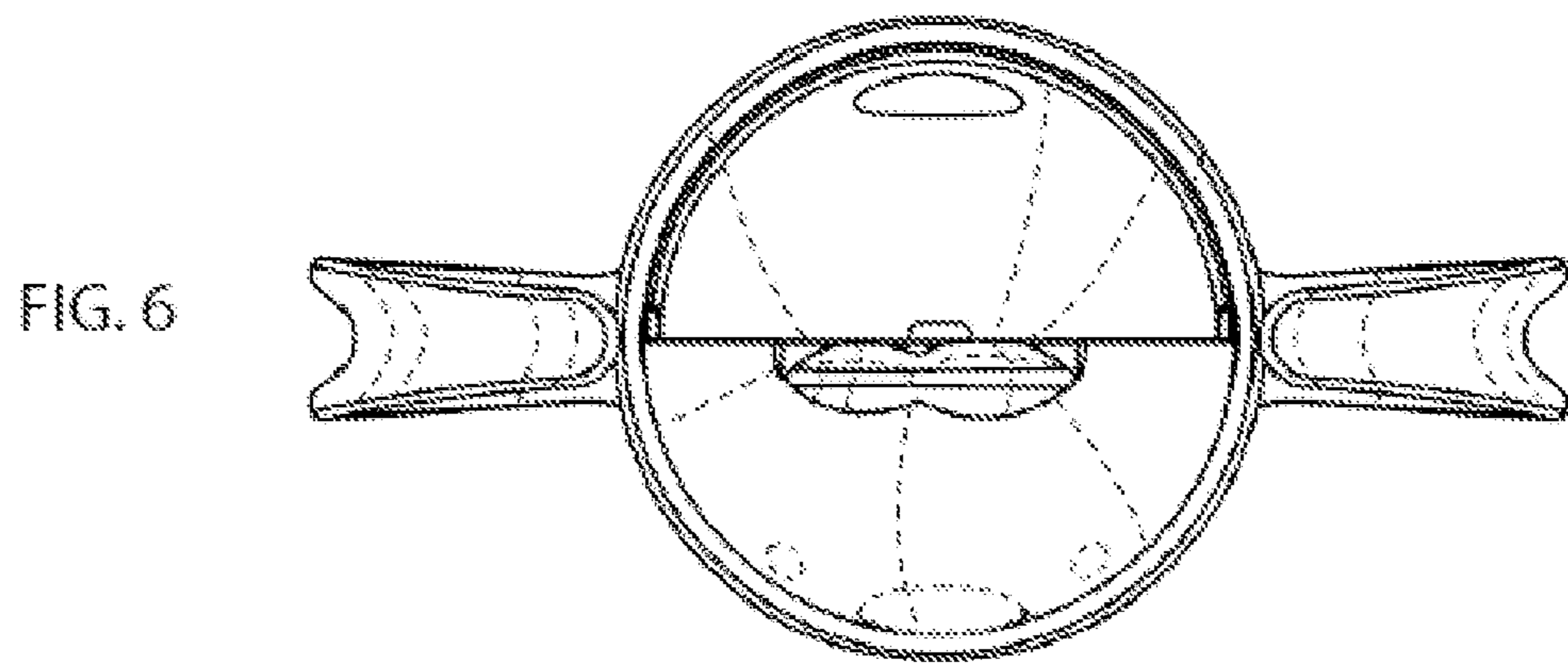


FIG. 6

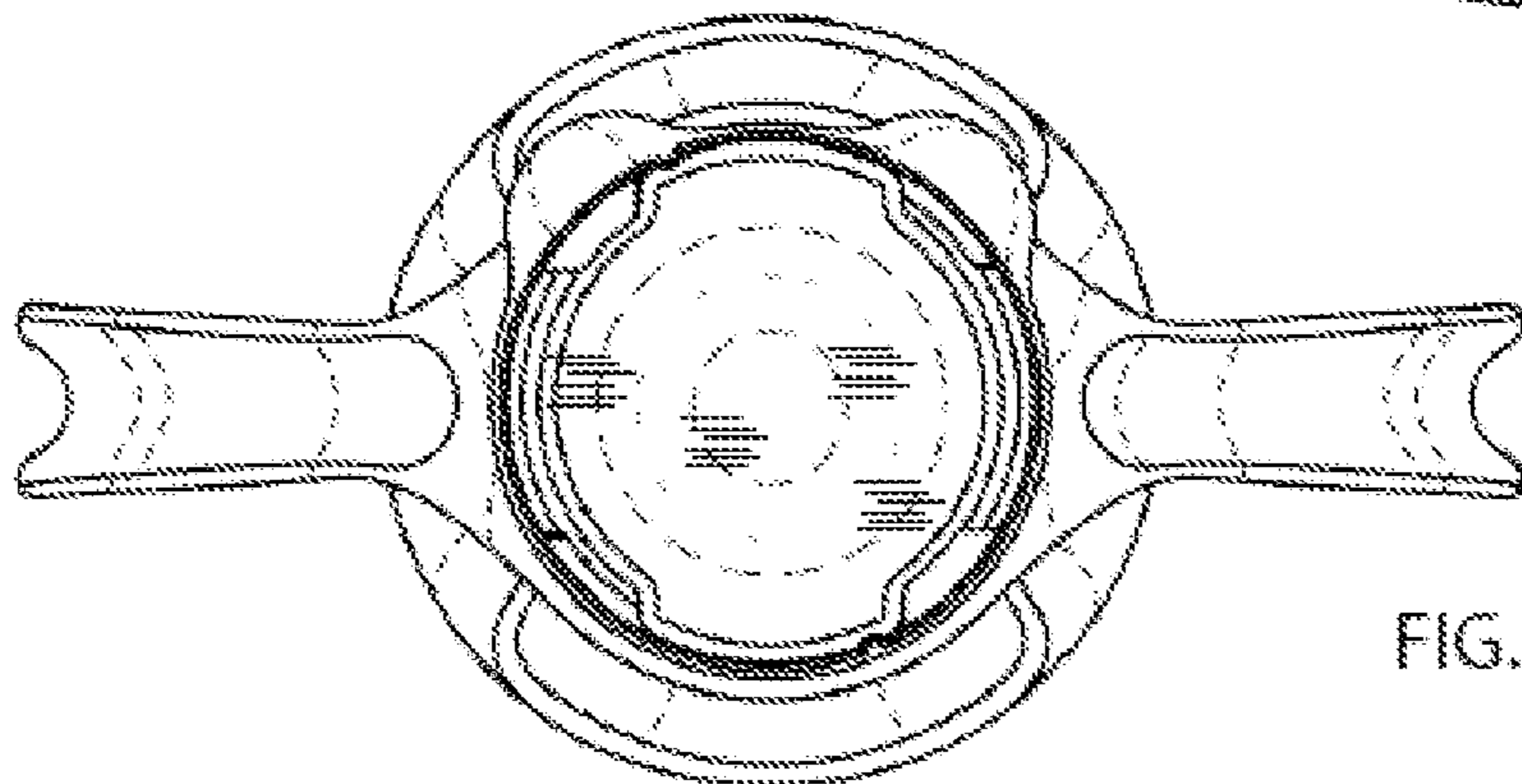


FIG. 7