



US00D649832S

(12) **United States Design Patent**
Loaiza

(10) **Patent No.:** **US D649,832 S**
(45) **Date of Patent:** **** Dec. 6, 2011**

(54) **UTENSIL HANDLE**

(75) Inventor: **Jorge Hernan Loaiza**, Copacabana
(CO)

(73) Assignee: **IMUSA, S.A.**, Copacabana, Antioquia
(CO)

(**) Term: **14 Years**

(21) Appl. No.: **29/388,344**

(22) Filed: **Mar. 28, 2011**

(30) **Foreign Application Priority Data**

Sep. 29, 2010 (CO) 10-120658

(51) **LOC (9) Cl.** **07-02**

(52) **U.S. Cl.** **D7/395**

(58) **Field of Classification Search** D7/354-361,
D7/393-395, 401.2, 664; D8/107, 300, 303,
D8/307, 313, 321; D4/138, 129; 16/421,
16/430, 431, 110.1, 407; 220/573.1-573.5,
220/752, 753, 755, 756, 759, 767, 771, 912
See application file for complete search history.

(56) **References Cited**

U.S. PATENT DOCUMENTS

1,837,109	A	12/1931	Burvenick	
2,370,860	A	6/1944	Hanke	
D149,641	S *	5/1948	Hvale	D7/395
D319,164	S *	8/1991	Rosenthal	D7/395
D353,513	S *	12/1994	Kong	D7/395
5,799,369	A	9/1998	Schulein	
D408,219	S	4/1999	Lai	
D474,896	S *	5/2003	Riddell	D4/138
D482,874	S *	12/2003	Dotterman	D4/138

D485,120	S	1/2004	Kight	
D492,122	S *	6/2004	Woodnorth et al.	D4/138
D494,039	S *	8/2004	Tsai	D8/107
D514,330	S *	2/2006	Potempa et al.	D4/138
D534,781	S *	1/2007	Chen	D8/107
D567,019	S *	4/2008	Gonzalez	D7/395
D572,564	S *	7/2008	Tilk	D8/107
D578,825	S	10/2008	Bogani	
D578,826	S *	10/2008	Lu	D7/395
D582,207	S *	12/2008	Plichon	D7/395
D613,004	S *	3/2010	Lin	D4/138
D644,061	S *	8/2011	Griffith et al.	D7/395
2005/0179272	A1 *	8/2005	Gonzalez	294/49

* cited by examiner

Primary Examiner — Cynthia M Chin

(74) *Attorney, Agent, or Firm* — McDermott Will & Emery LLP

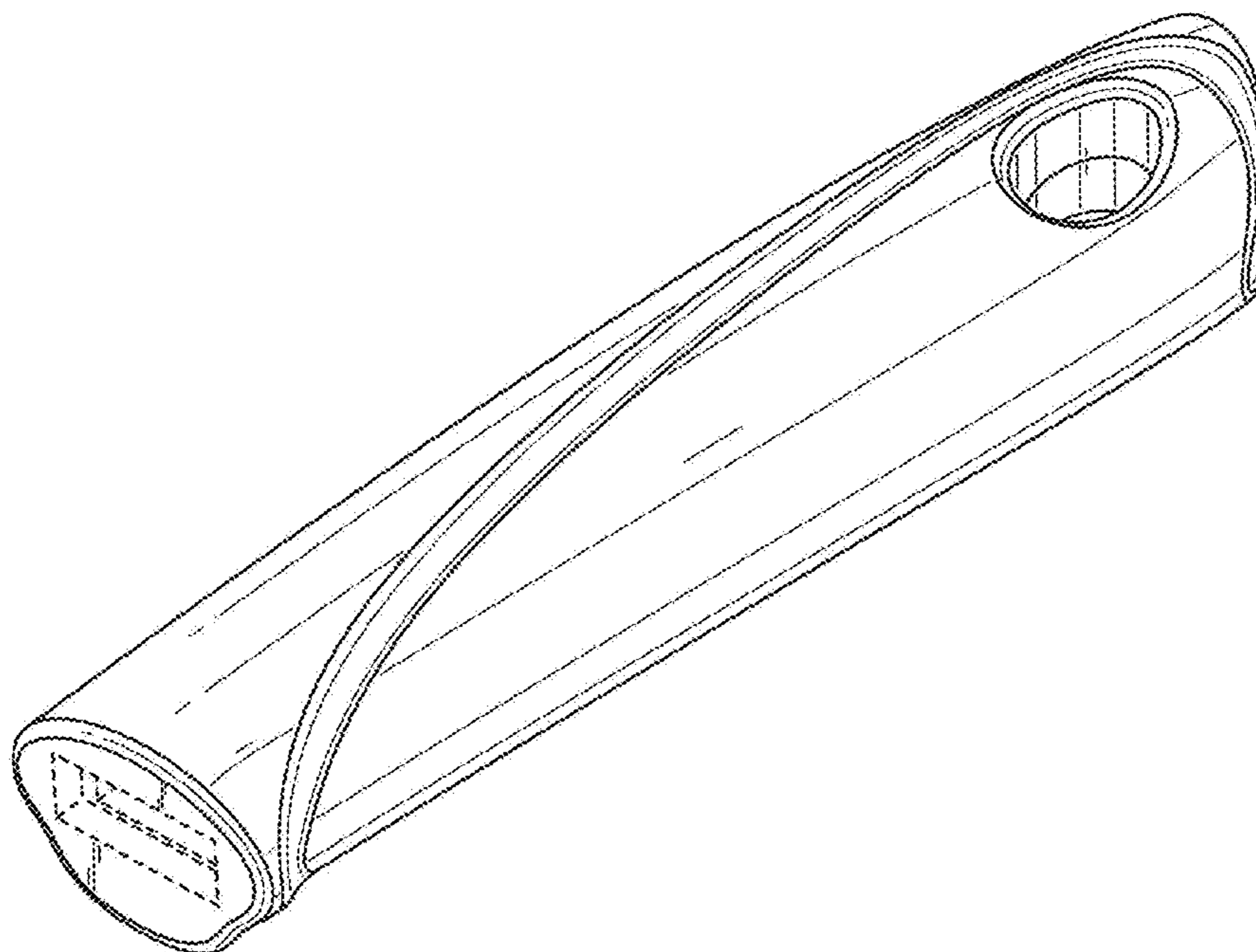
(57) **CLAIM**

The ornamental design for a utensil handle, as shown and described.

DESCRIPTION

FIG. 1 is a front perspective view of the utensil handle, showing the new design;
FIG. 2 is a top view of the utensil handle;
FIG. 3 is a bottom view of the utensil handle;
FIG. 4 is a side view of the utensil handle;
FIG. 5 is another side view of the utensil handle;
FIG. 6 is a rear view of the utensil handle; and,
FIG. 7 is a front view of the utensil handle.
The broken lines showing various elements of the utensil handle are included for the purpose of illustrating non-claimed subject matter, and form no part of the claimed design.

1 Claim, 4 Drawing Sheets



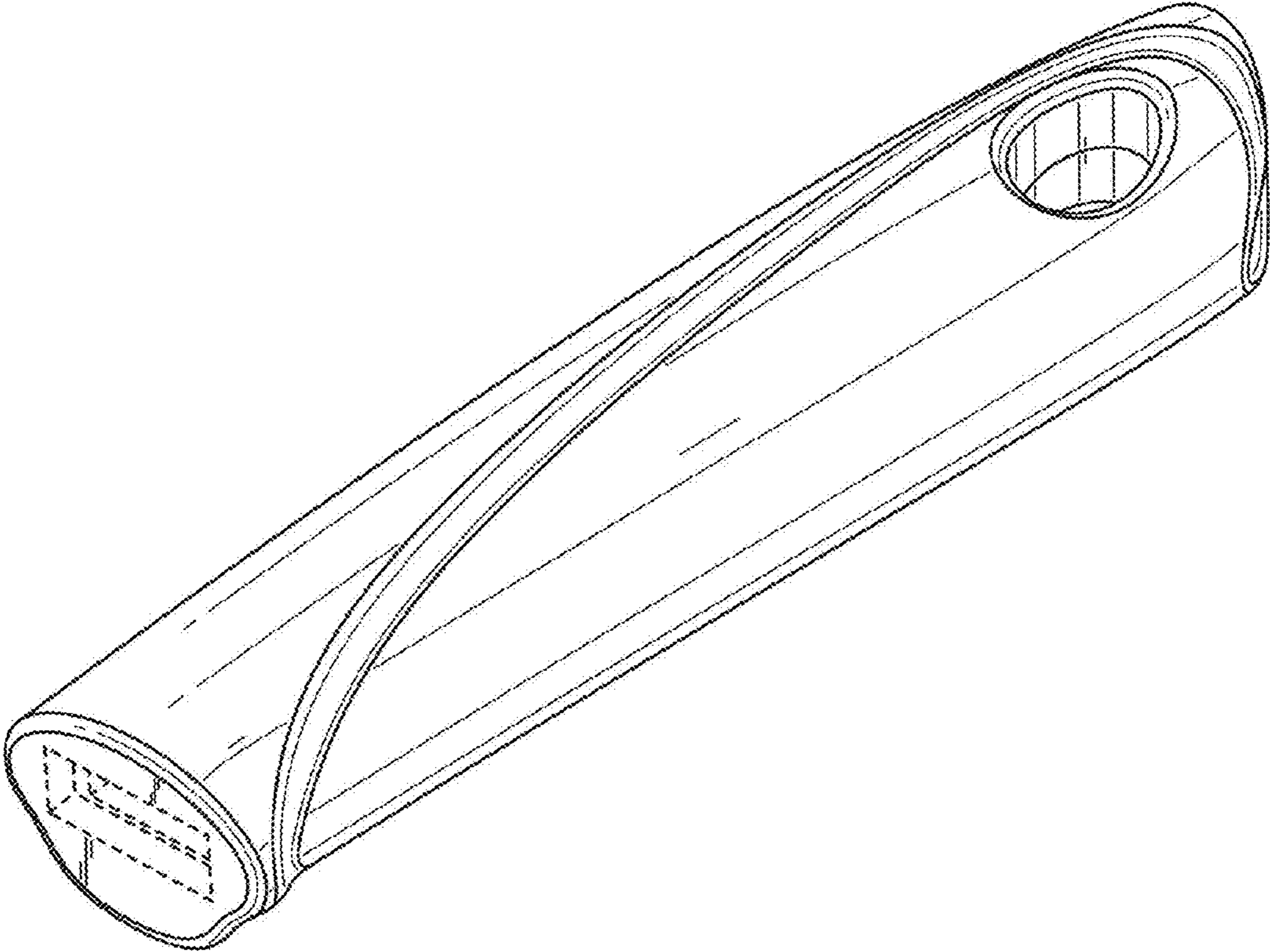


FIG. 1

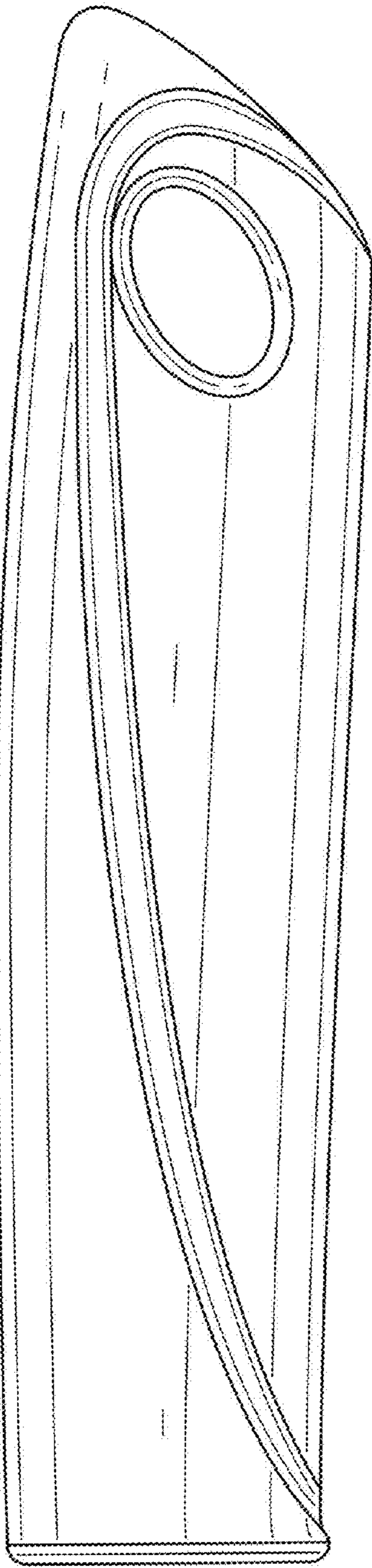


FIG. 2

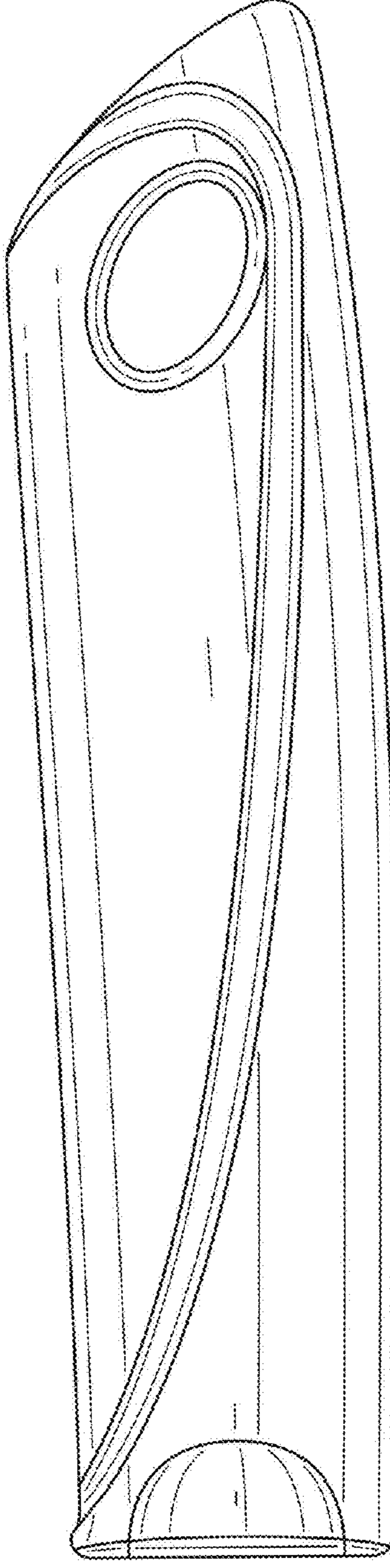


FIG. 3

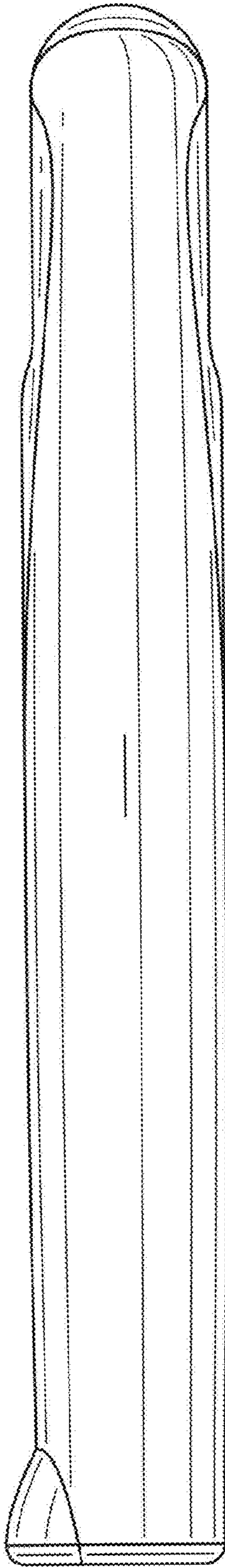


FIG. 4

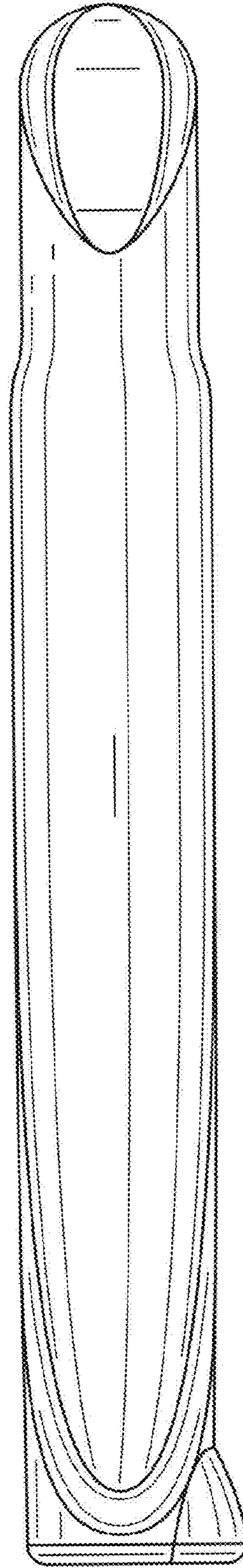


FIG. 5

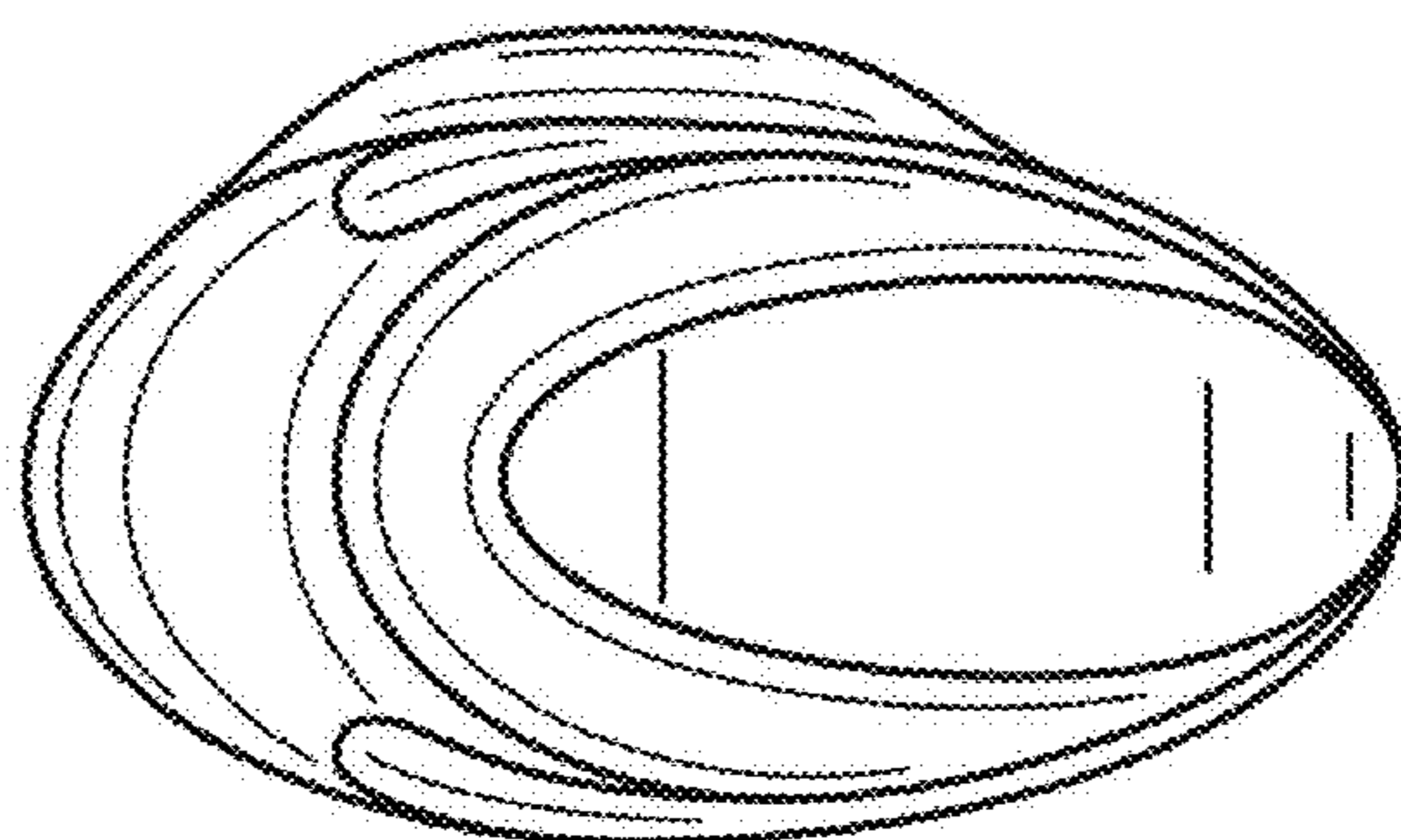


FIG. 6

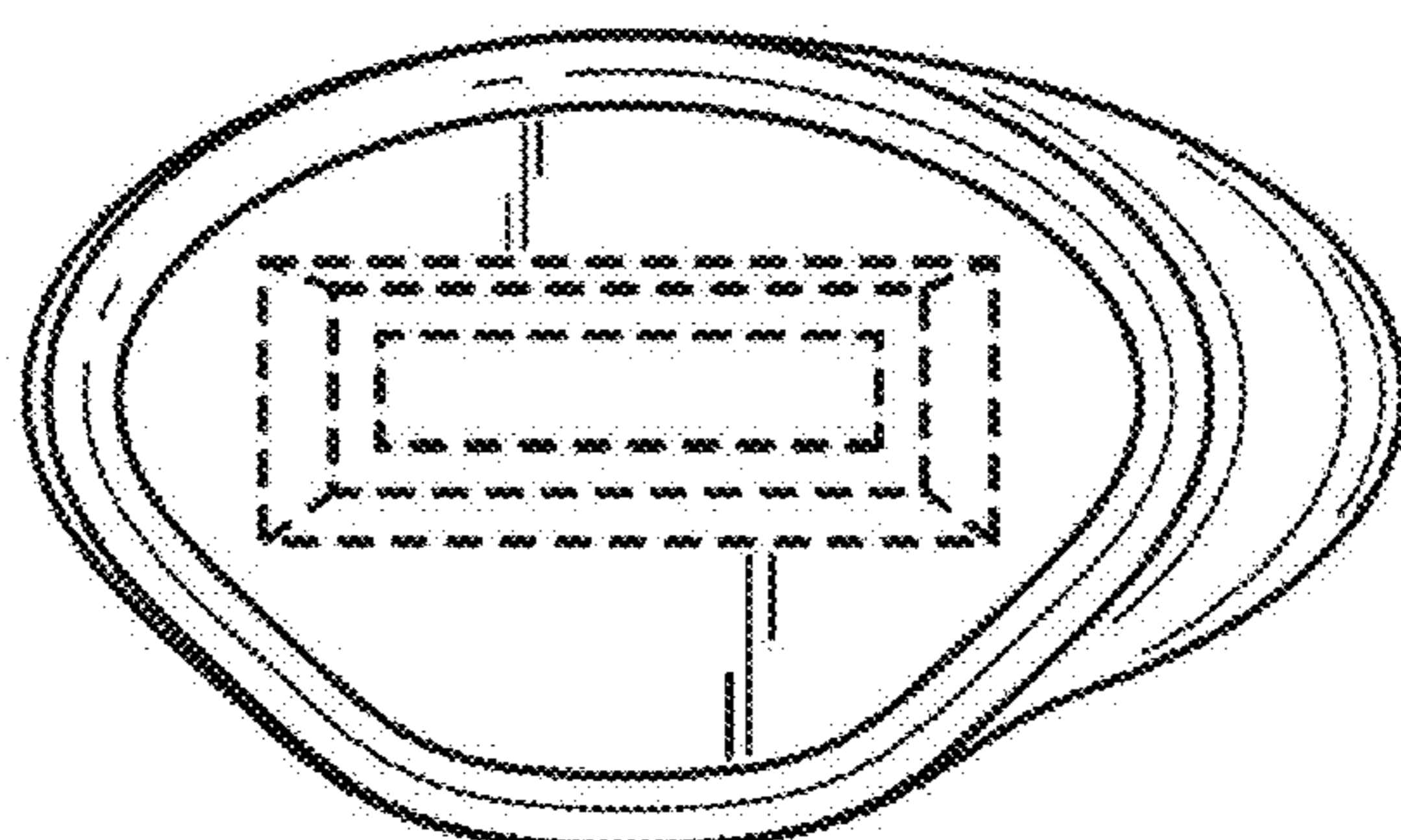


FIG. 7