



US00D649831S

(12) **United States Design Patent**  
**Romandy**

(10) **Patent No.:** **US D649,831 S**

(45) **Date of Patent:** **\*\* Dec. 6, 2011**

(54) **COMBINED HANDLE AND CLIP FOR SLOW COOKER**

(75) Inventor: **Mark K. Romandy**, Midlothian, VA (US)

(73) Assignee: **Hamilton Beach Brands, Inc.**, Glen Allen, VA (US)

(\*\*) Term: **14 Years**

(21) Appl. No.: **29/386,625**

(22) Filed: **Mar. 3, 2011**

(51) **LOC (9) Cl.** ..... **07-02**

(52) **U.S. Cl.** ..... **D7/393**

(58) **Field of Classification Search** ..... D7/354-361, D7/391, 393, 394, 543, 545, 586, 690, 705; D8/300, 301, 305, 307, 308, 310, 311, 312, D8/316, 319, 320; 220/315, 752; 16/110.1, 16/252, 402, 410, 412, 414, 417, 433, 441-443; D3/318; 294/33, 165

See application file for complete search history.

(56) **References Cited**

U.S. PATENT DOCUMENTS

|           |   |   |         |                |       |         |
|-----------|---|---|---------|----------------|-------|---------|
| D37,560   | S | * | 9/1905  | Nutrizio       | ..... | D7/393  |
| D152,825  | S | * | 2/1949  | Porter         | ..... | D7/393  |
| 3,194,460 | A | * | 7/1965  | Tupper         | ..... | 294/165 |
| 3,301,586 | A | * | 1/1967  | Lisiecki       | ..... | 294/33  |
| 3,471,054 | A |   | 10/1969 | Ostrowsky      |       |         |
| 3,518,731 | A |   | 7/1970  | Ostrowsky      |       |         |
| D265,540  | S | * | 7/1982  | Groner         | ..... | D7/393  |
| 4,375,711 | A | * | 3/1983  | Franzen et al. | ..... | 16/252  |
| D308,457  | S | * | 6/1990  | Bleiler        | ..... | D7/690  |
| 5,427,265 | A |   | 6/1995  | Cautereels     |       |         |
| 5,638,984 | A |   | 6/1997  | Murani         |       |         |
| D413,483  | S |   | 9/1999  | Roussard       |       |         |
| D416,172  | S | * | 11/1999 | Cheng          | ..... | D7/394  |
| D420,246  | S |   | 2/2000  | Alonge         |       |         |

|              |    |   |         |                    |       |         |
|--------------|----|---|---------|--------------------|-------|---------|
| D422,177     | S  | * | 4/2000  | Brady              | ..... | D7/394  |
| 6,102,238    | A  | * | 8/2000  | Brady et al.       | ..... | 220/315 |
| D434,940     | S  |   | 12/2000 | Hlava              |       |         |
| 6,824,004    | B1 |   | 11/2004 | Wooderson          |       |         |
| D520,806     | S  |   | 5/2006  | Ryan               |       |         |
| D528,353     | S  | * | 9/2006  | Brady et al.       | ..... | D7/360  |
| 7,175,313    | B2 |   | 2/2007  | Bednara            |       |         |
| D585,236     | S  | * | 1/2009  | McGinn             | ..... | D7/360  |
| D590,204     | S  |   | 4/2009  | Tetreault          |       |         |
| D590,654     | S  |   | 4/2009  | Perkins            |       |         |
| D610,393     | S  |   | 2/2010  | Josancy            |       |         |
| D620,744     | S  |   | 8/2010  | Rose               |       |         |
| D641,204     | S  | * | 7/2011  | Baumgartner et al. | ..... | D7/360  |
| D642,856     | S  | * | 8/2011  | Bock et al.        | ..... | D7/354  |
| 2009/0218355 | A1 |   | 9/2009  | Chameroy           |       |         |

\* cited by examiner

*Primary Examiner* — Cynthia M Chin

(74) *Attorney, Agent, or Firm* — Alexander D. Raring

(57) **CLAIM**

The ornamental design for a combined handle and clip for slow cooker, as shown and described.

**DESCRIPTION**

FIG. 1 is a perspective view as seen from the top, front and right side of a slow cooker showing the new design;

FIG. 2 is a front view thereof;

FIG. 3 is a rear view thereof;

FIG. 4 is a left side view thereof;

FIG. 5 is a right side view thereof;

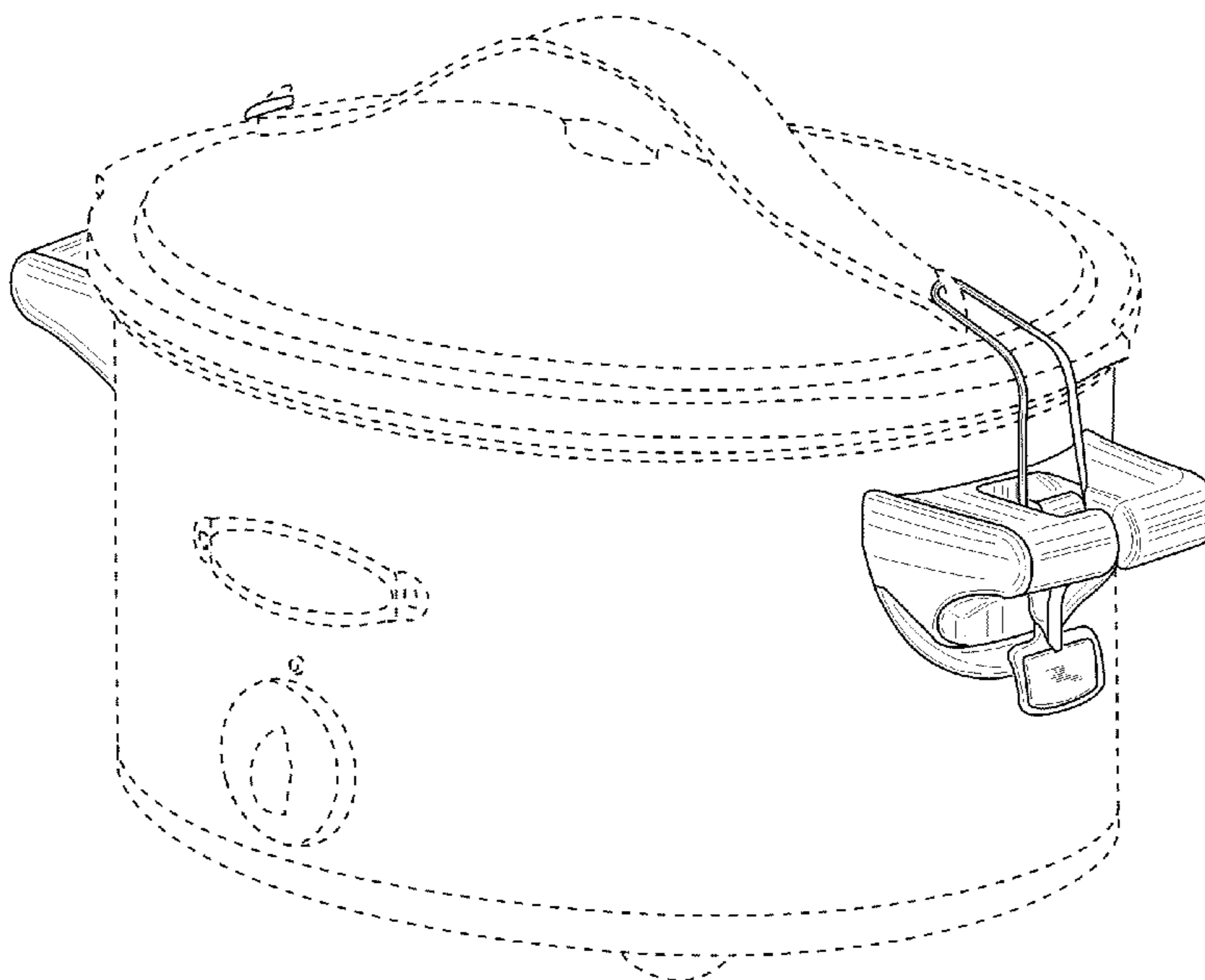
FIG. 6 is a top view thereof;

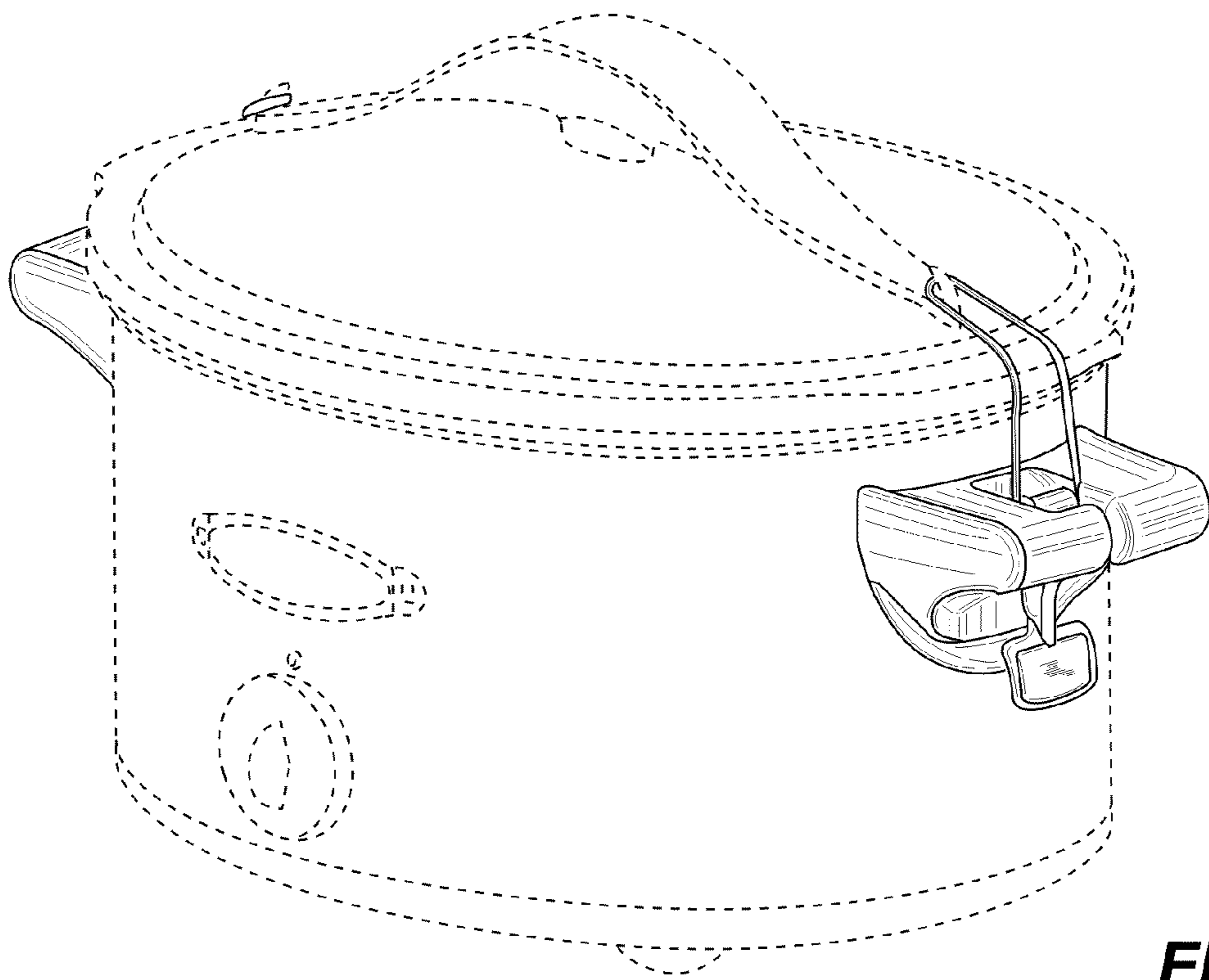
FIG. 7 is a bottom view thereof; and,

FIG. 8 is a magnified view of a combined handle and clip for slow cooker showing the new design.

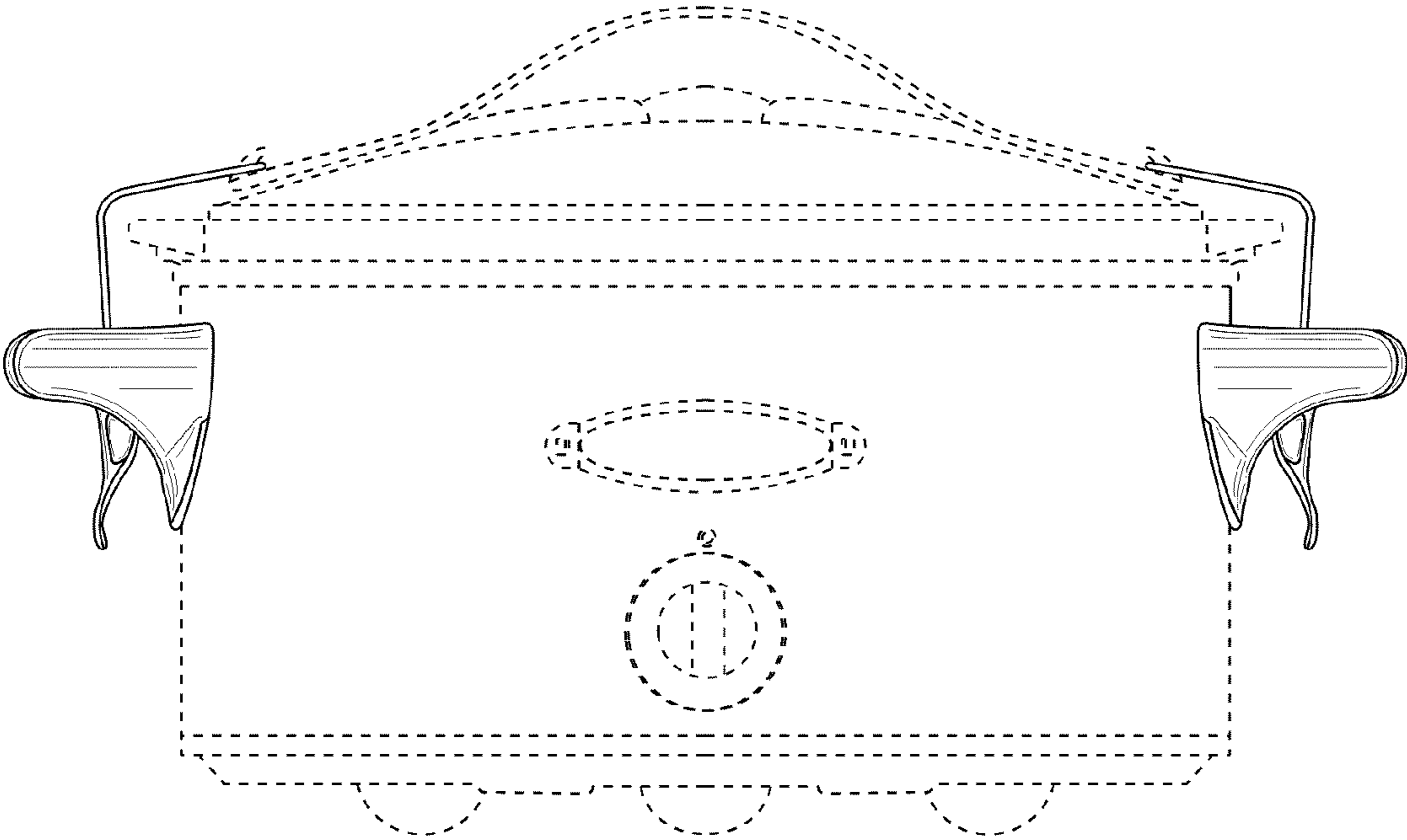
The broken lines shown are included for the purpose of illustrating the unclaimed portions of the article that form no part of the claimed design.

**1 Claim, 8 Drawing Sheets**

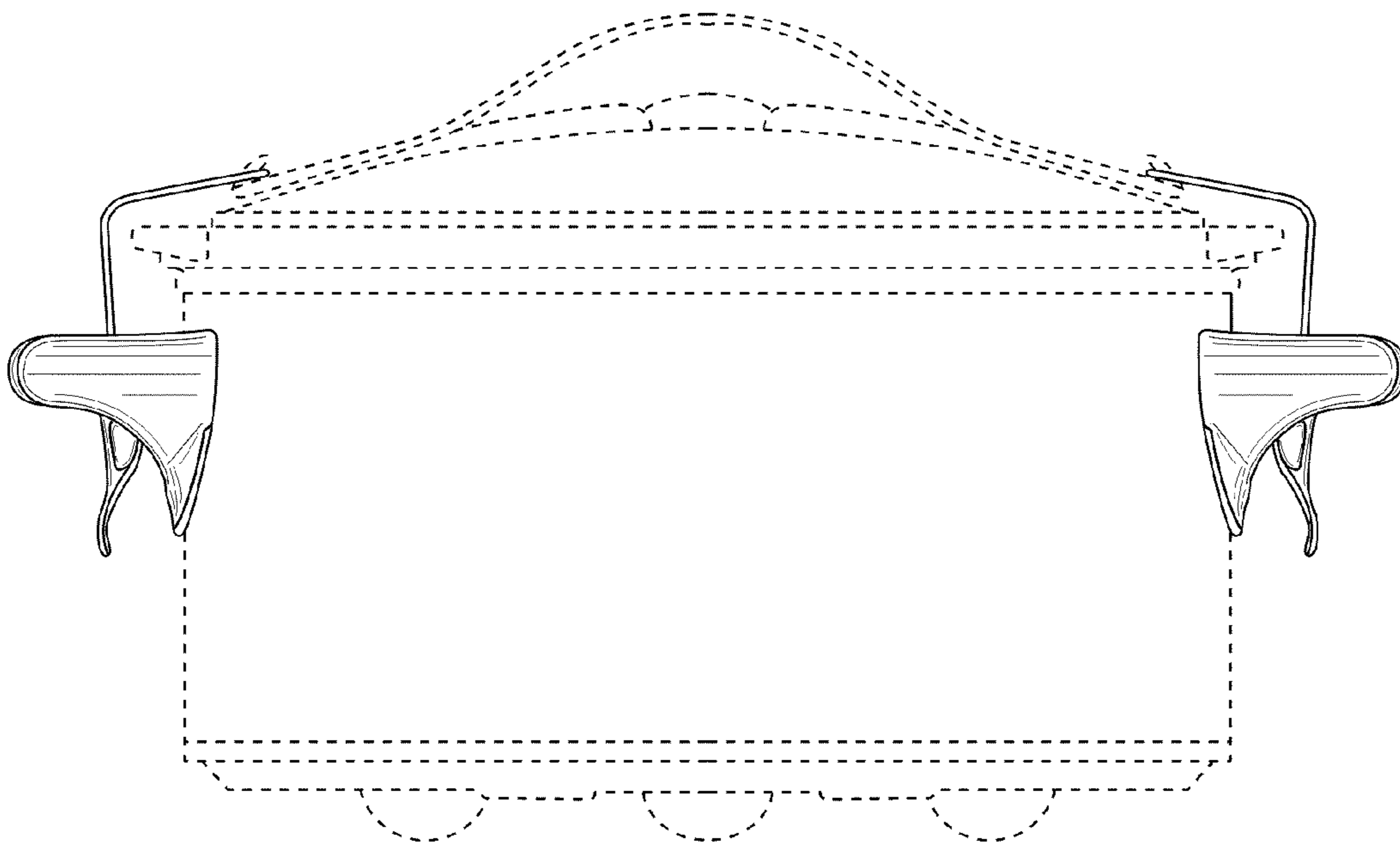




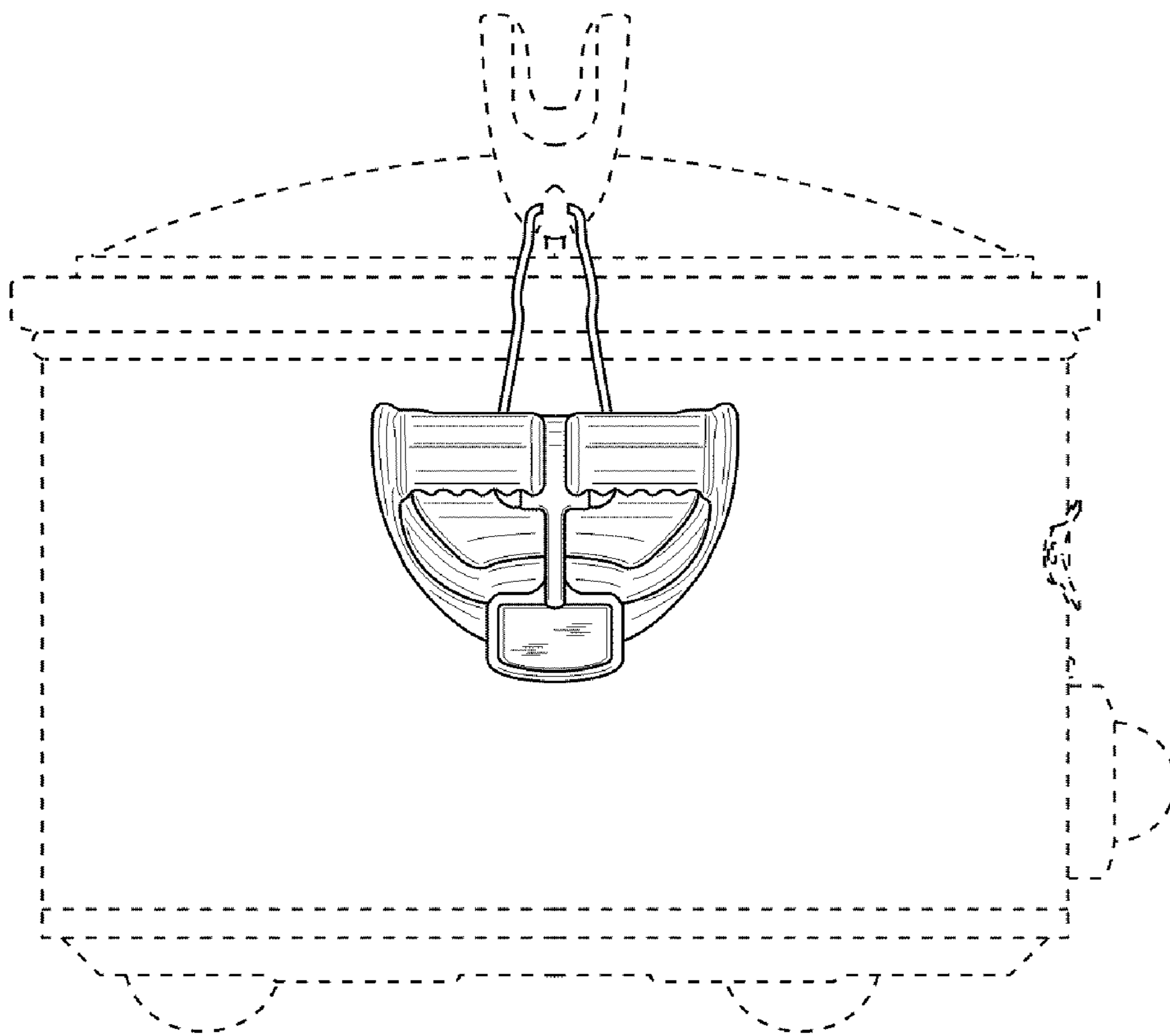
**FIG. 1**



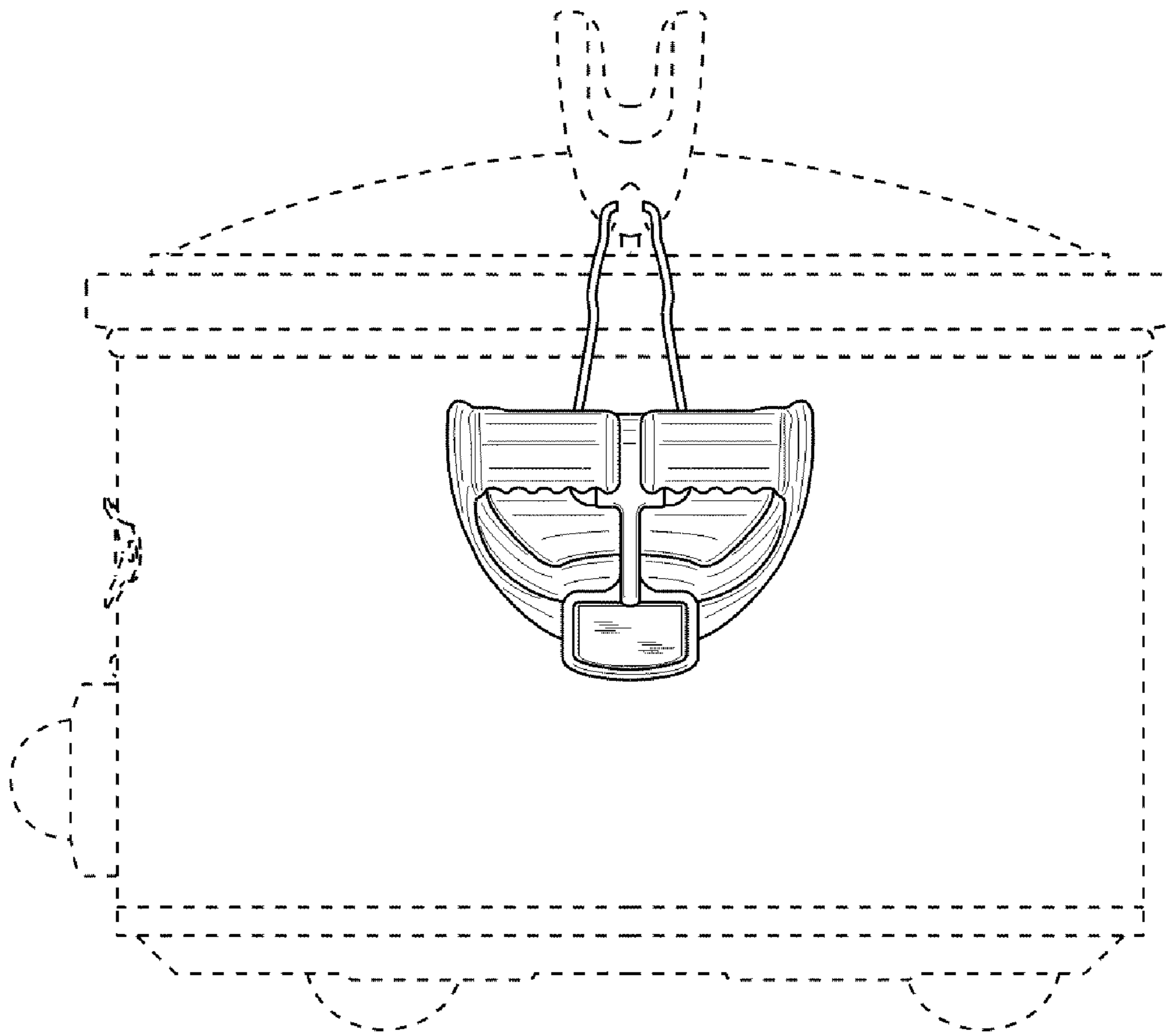
**FIG. 2**



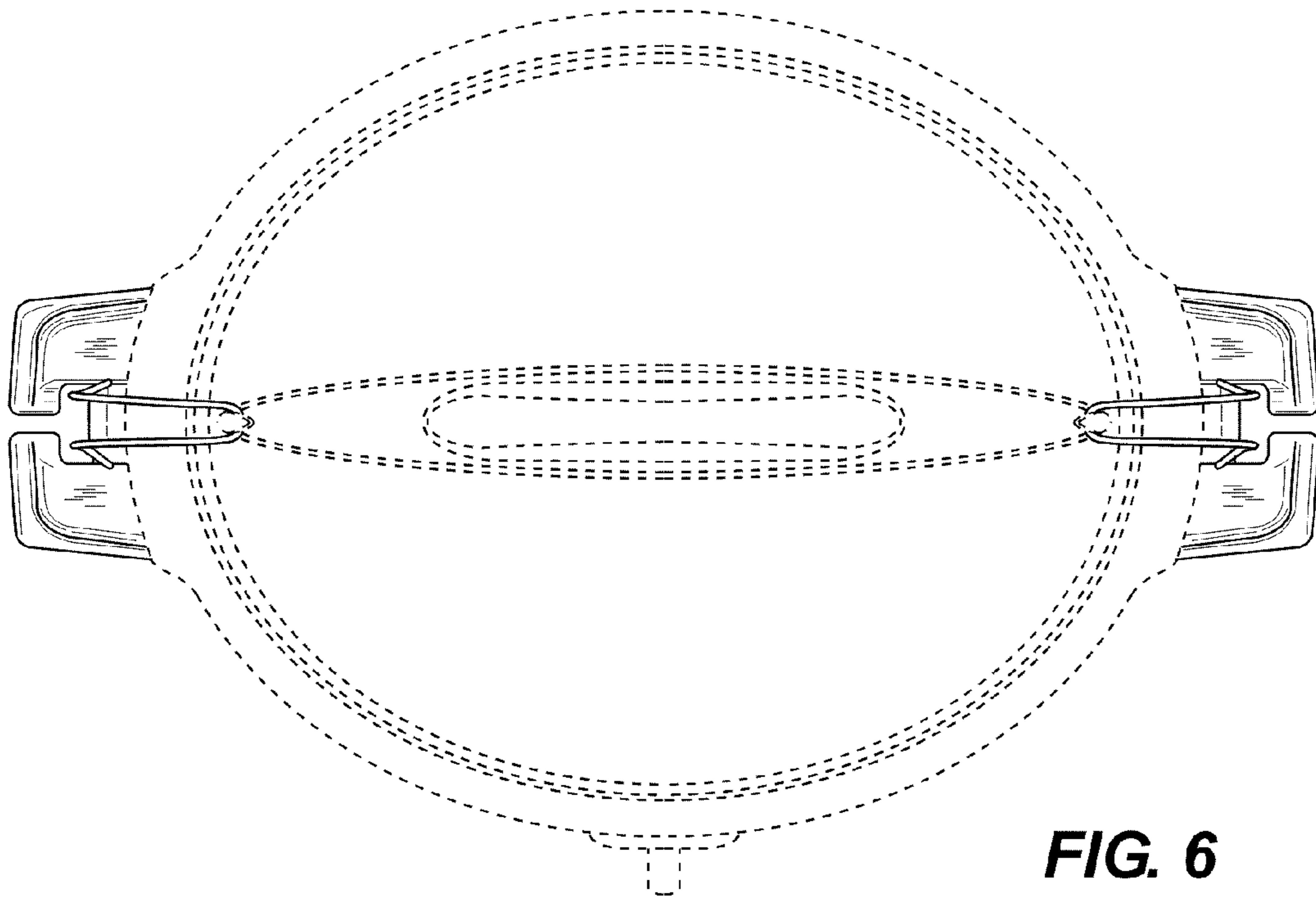
**FIG. 3**



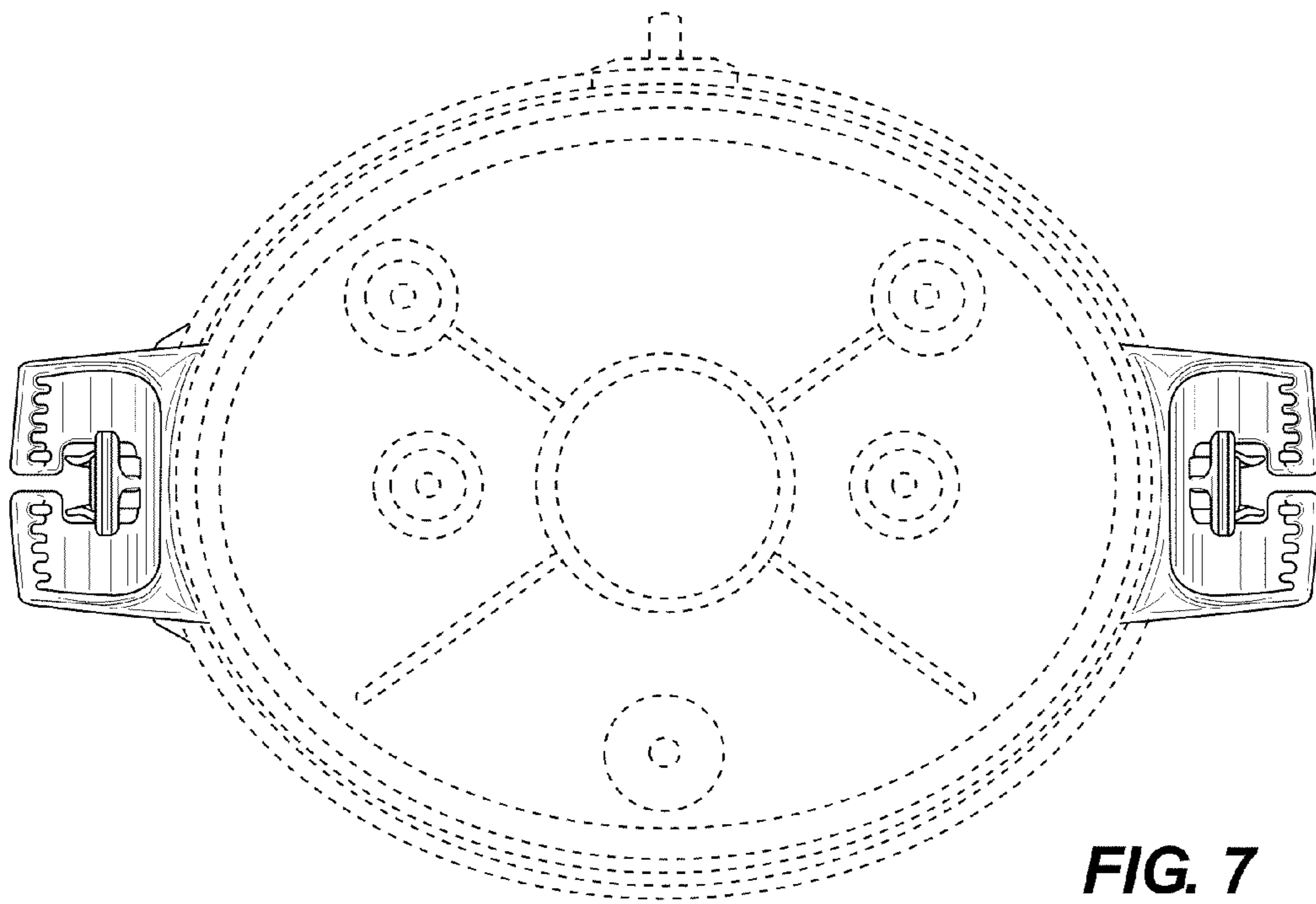
**FIG. 4**



**FIG. 5**

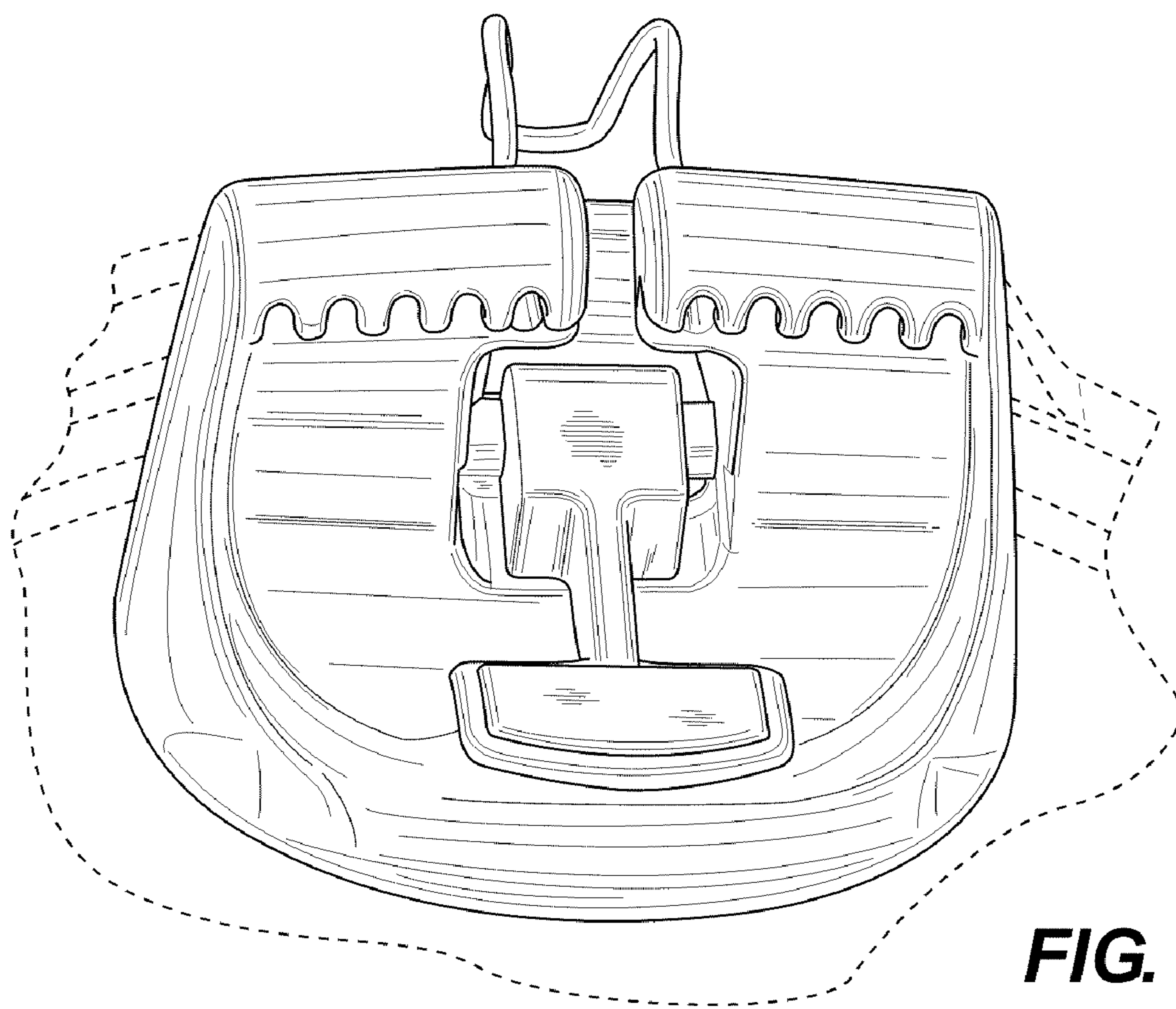


**FIG. 6**



**FIG. 7**





**FIG. 8**