



US00D649830S

(12) **United States Design Patent**
Harris et al.

(10) **Patent No.:** **US D649,830 S**

(45) **Date of Patent:** **** *Dec. 6, 2011**

(54) **BLENDER AND DISPENSING SYSTEM**

(75) Inventors: **Jason Harris**, Delray Beach, FL (US);
Augusto Picozza, Boca Raton, FL (US);
Nathan Careless, Quincy, MA (US)

(73) Assignee: **Sunbeam Products, Inc.**, Boca Raton,
FL (US)

(*) Notice: This patent is subject to a terminal disclaimer.

(**) Term: **14 Years**

(21) Appl. No.: **29/379,561**

(22) Filed: **Nov. 22, 2010**

(51) **LOC (9) Cl.** **31-00**

(52) **U.S. Cl.** **D7/378; D7/376; D7/392**

(58) **Field of Classification Search** D7/300,
D7/305-311, 317-318, 372-373, 376-386,
D7/397, 412-415; 99/279-281, 300, 306-307,
99/348, 509-511; 222/105, 129.1-129.4,
222/146.1-146.2, 146.4-146.6; 241/30-37.5,
241/101.01-101.2, 166-169.1, 285.1-285.3,
241/291, 292.1; 366/64-67, 98, 142, 197-211,
366/241-254, 279-292, 341-347

See application file for complete search history.

(56) **References Cited**

U.S. PATENT DOCUMENTS

D491,763	S	*	6/2004	Picozza et al.	D7/309
D495,190	S	*	8/2004	Picozza et al.	D7/309
D509,986	S	*	9/2005	O'Neill et al.	D7/309
D582,193	S	*	12/2008	Picozza et al.	D7/306
D586,171	S	*	2/2009	Picozza et al.	D7/309
D587,520	S	*	3/2009	Kounlavong et al.	D7/378
D594,266	S	*	6/2009	Nakatani	D7/306
D594,696	S	*	6/2009	Day et al.	D7/378
D620,302	S	*	7/2010	Picozza et al.	D7/309

* cited by examiner

Primary Examiner — Ricky Pham

(74) *Attorney, Agent, or Firm* — Michael J. Corrigan

(57) **CLAIM**

The ornamental design for a blender and dispensing system, as shown and described.

DESCRIPTION

FIG. 1 is a front perspective view of a blender and dispensing system;

FIG. 2 is a front view thereof;

FIG. 3 is a right side view thereof;

FIG. 4 is a rear view thereof;

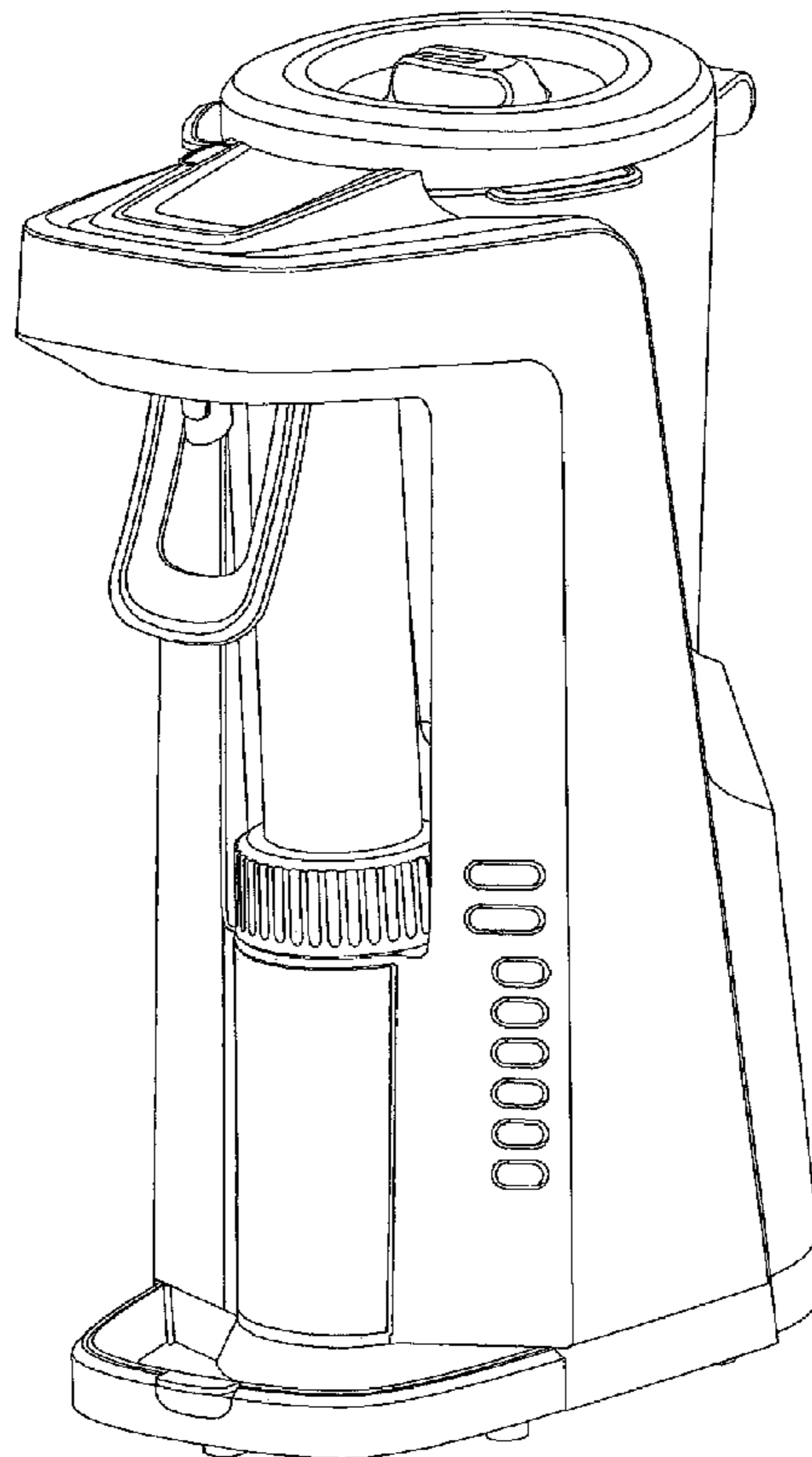
FIG. 5 is a left side view thereof;

FIG. 6 is a top plan view thereof; and,

FIG. 7 is a bottom plan view thereof.

The broken lines shown in the drawings are for illustrative purposes only and form no part of the claimed design.

1 Claim, 7 Drawing Sheets



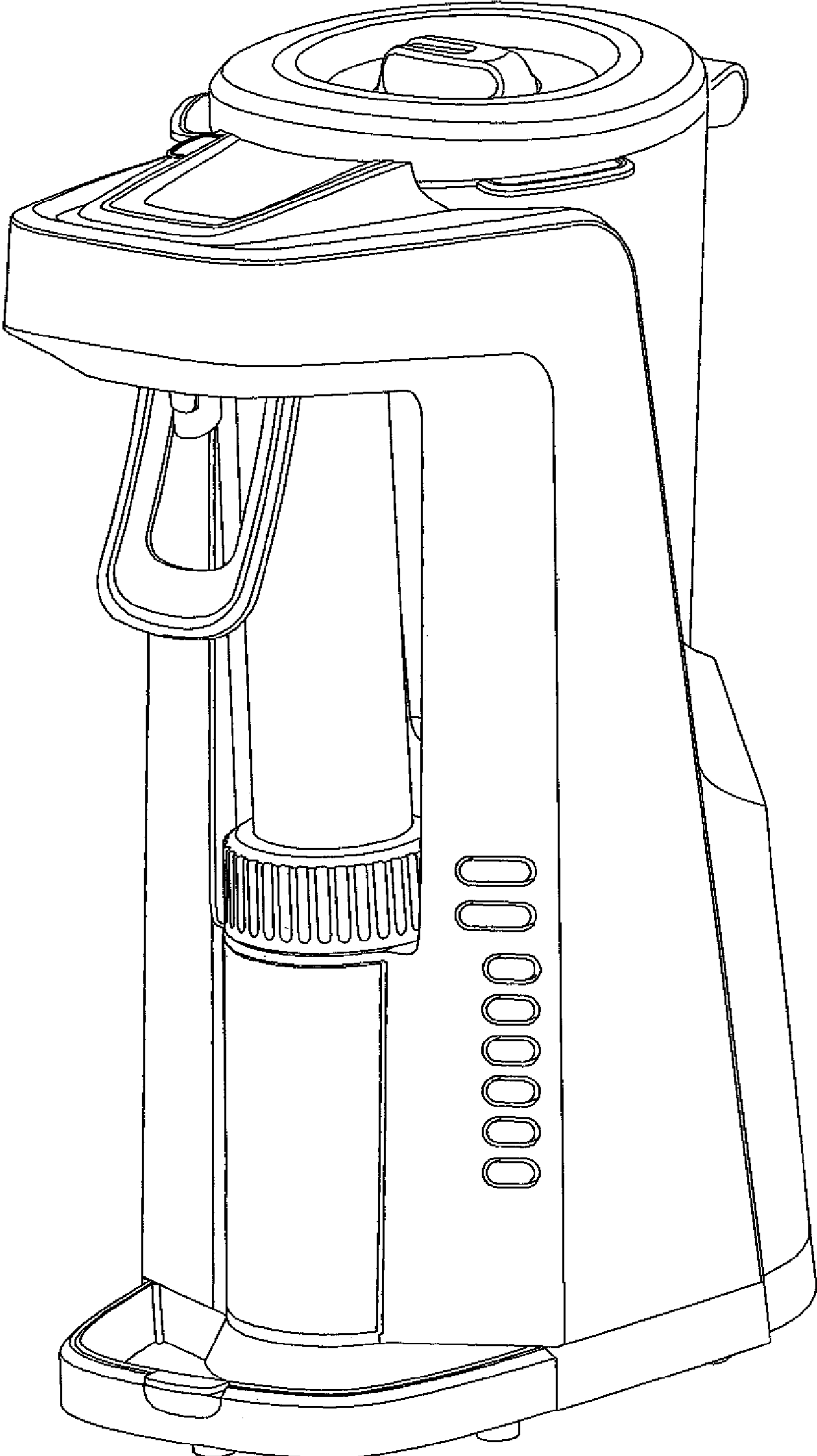


FIG 1

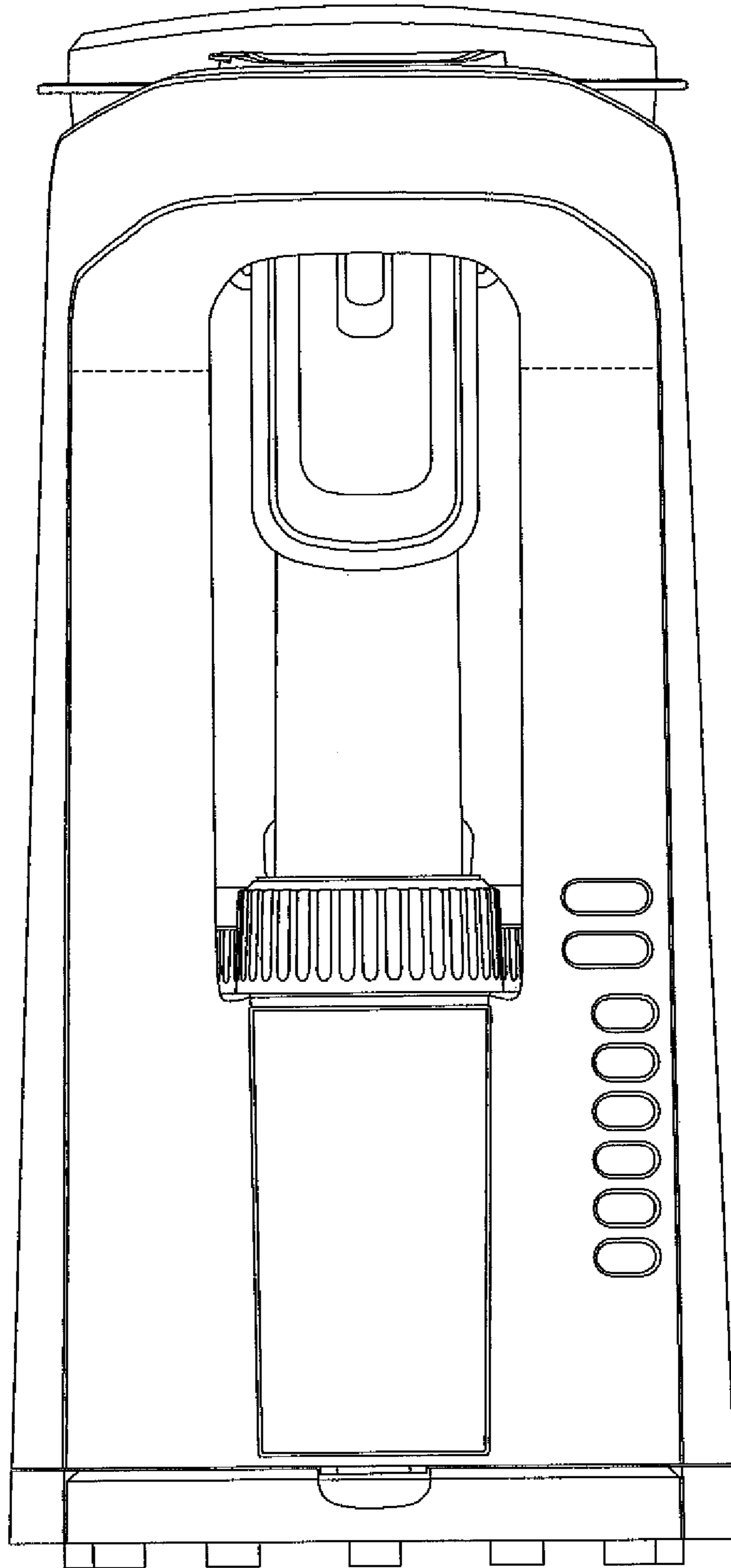


FIG 2

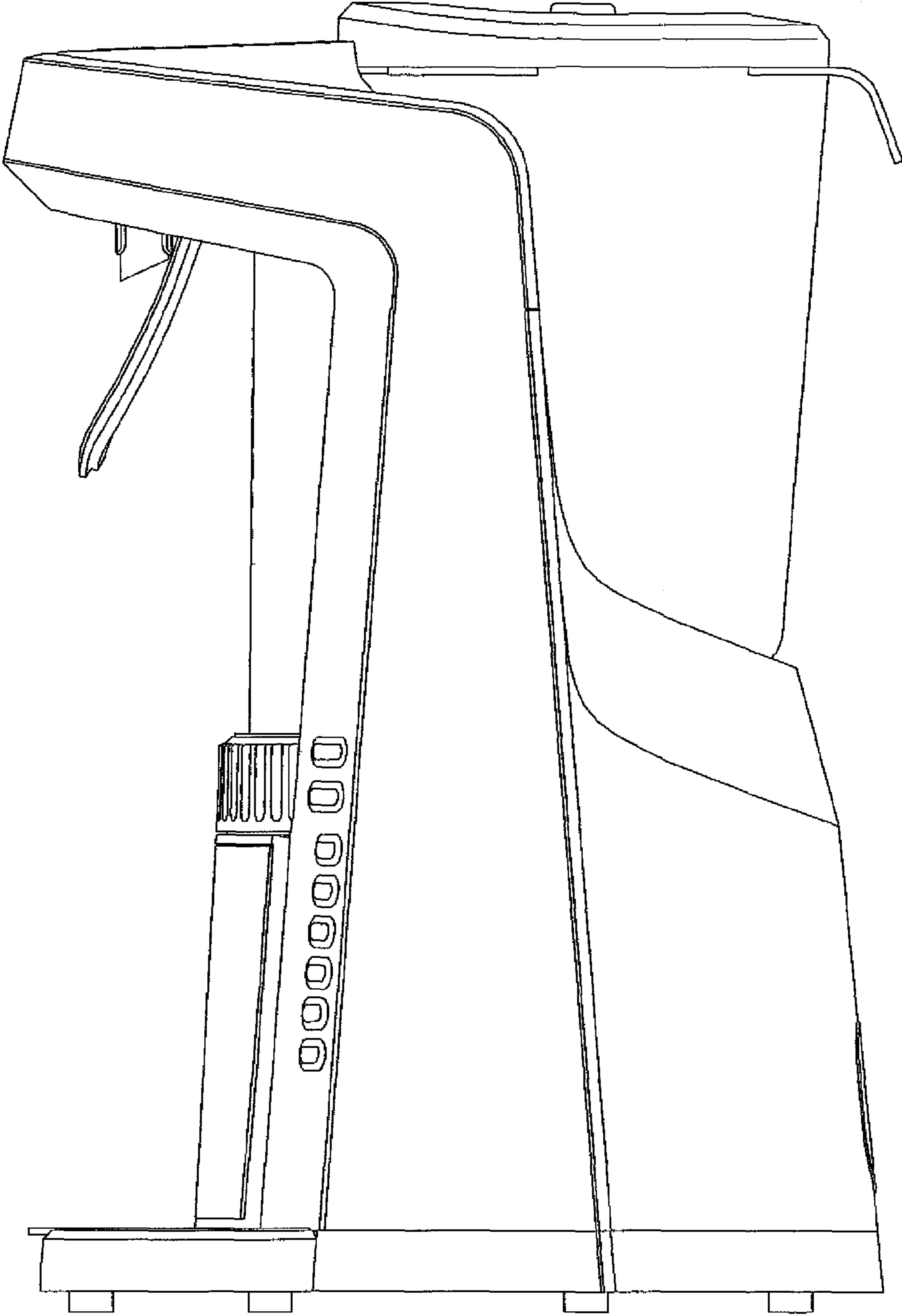


FIG 3

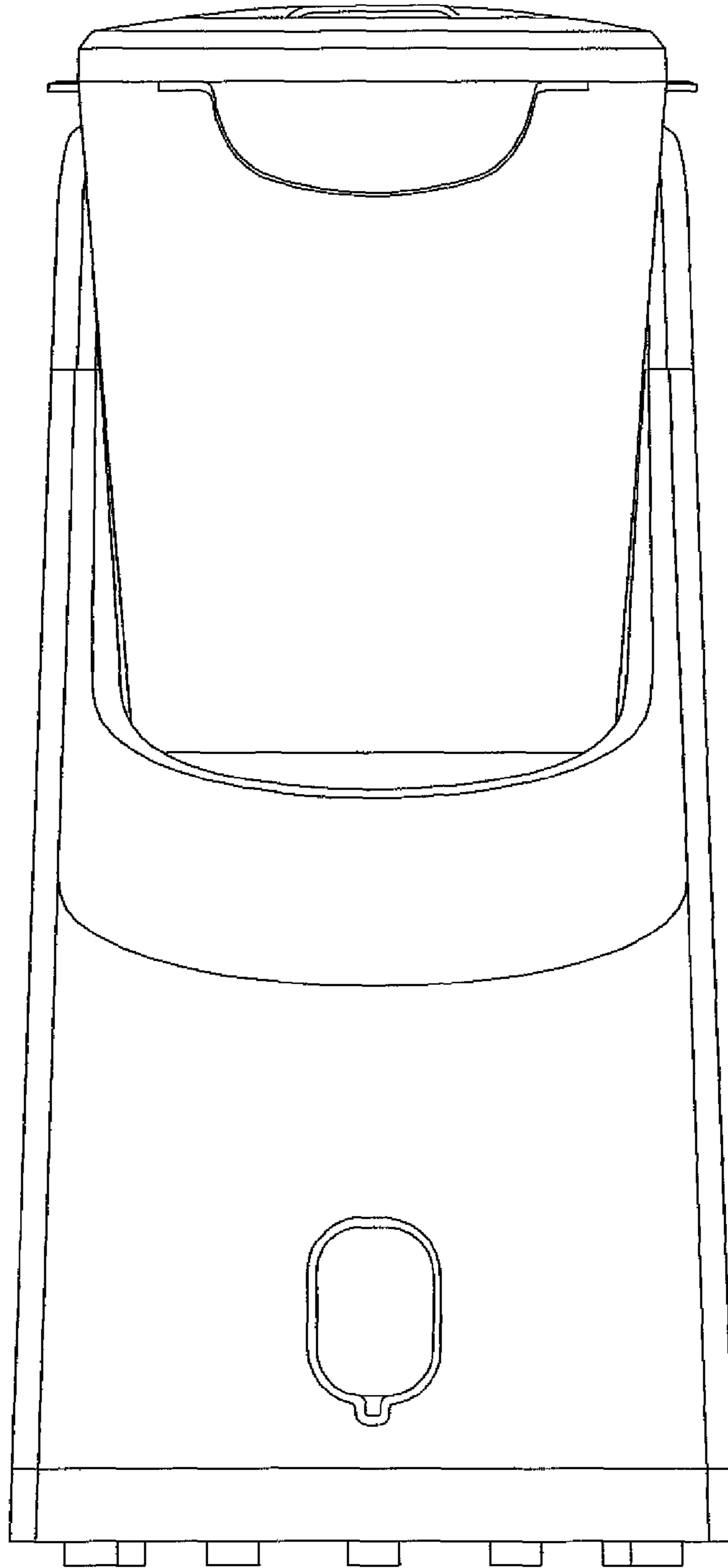


FIG 4

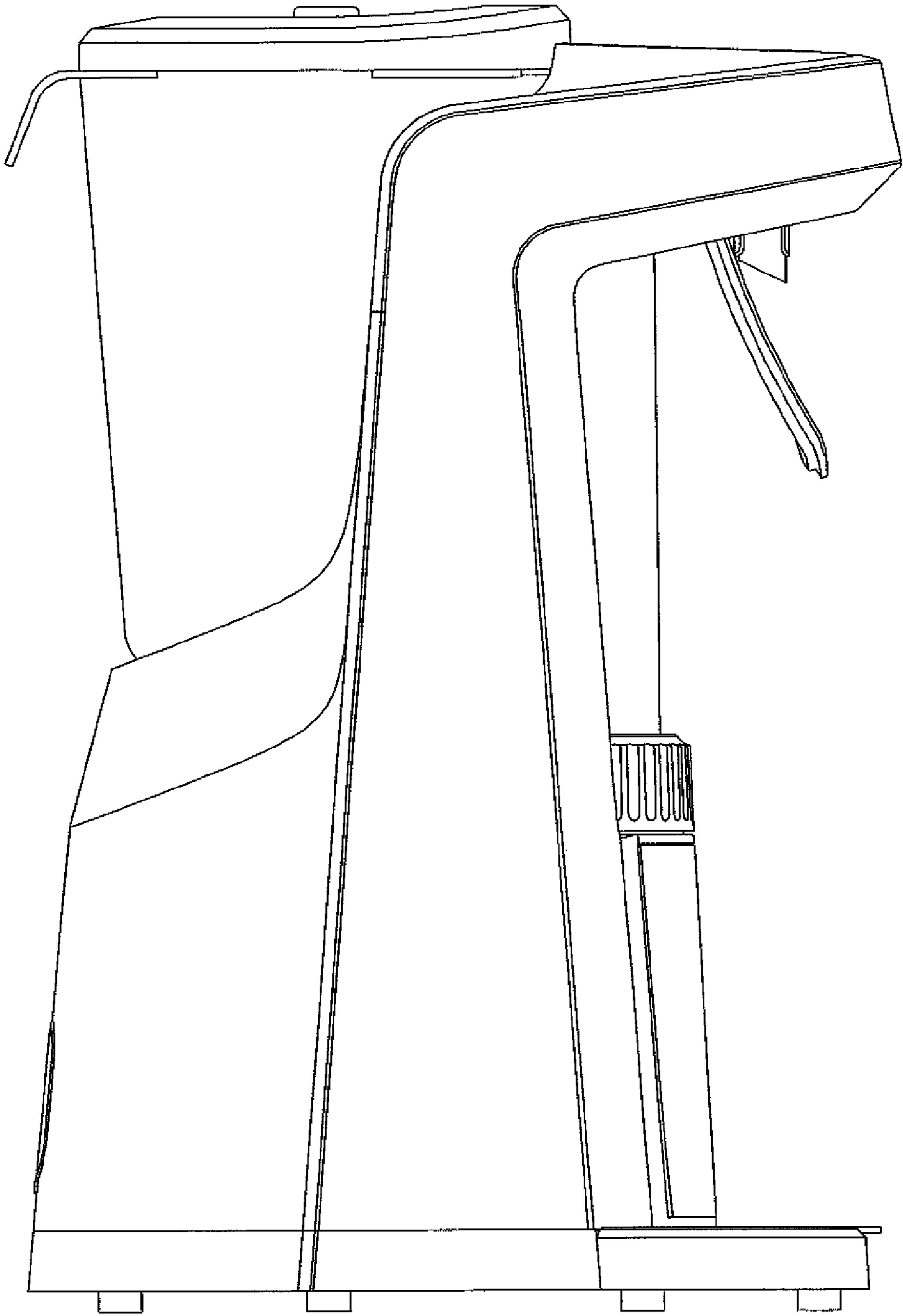


FIG 5

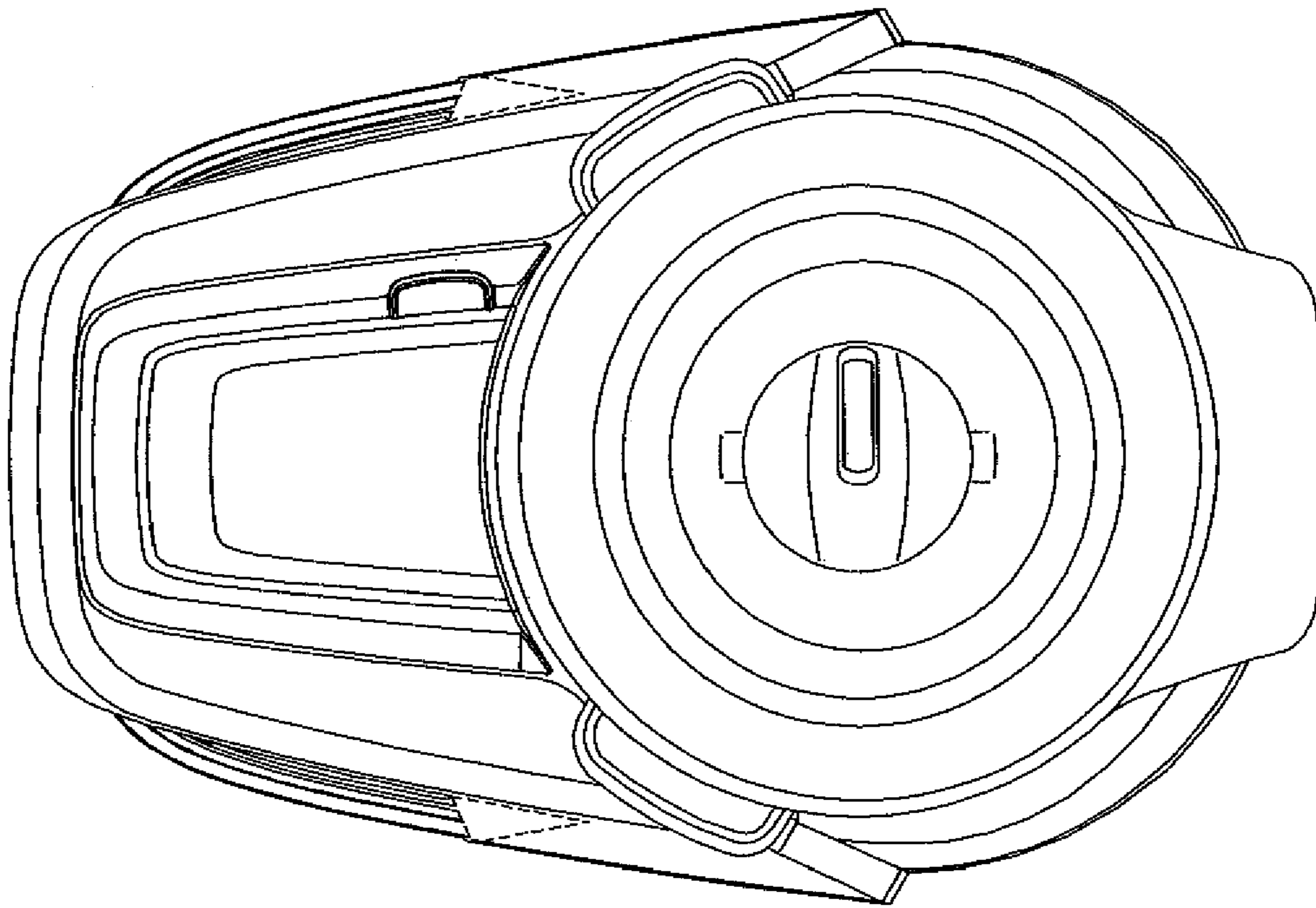


FIG 6

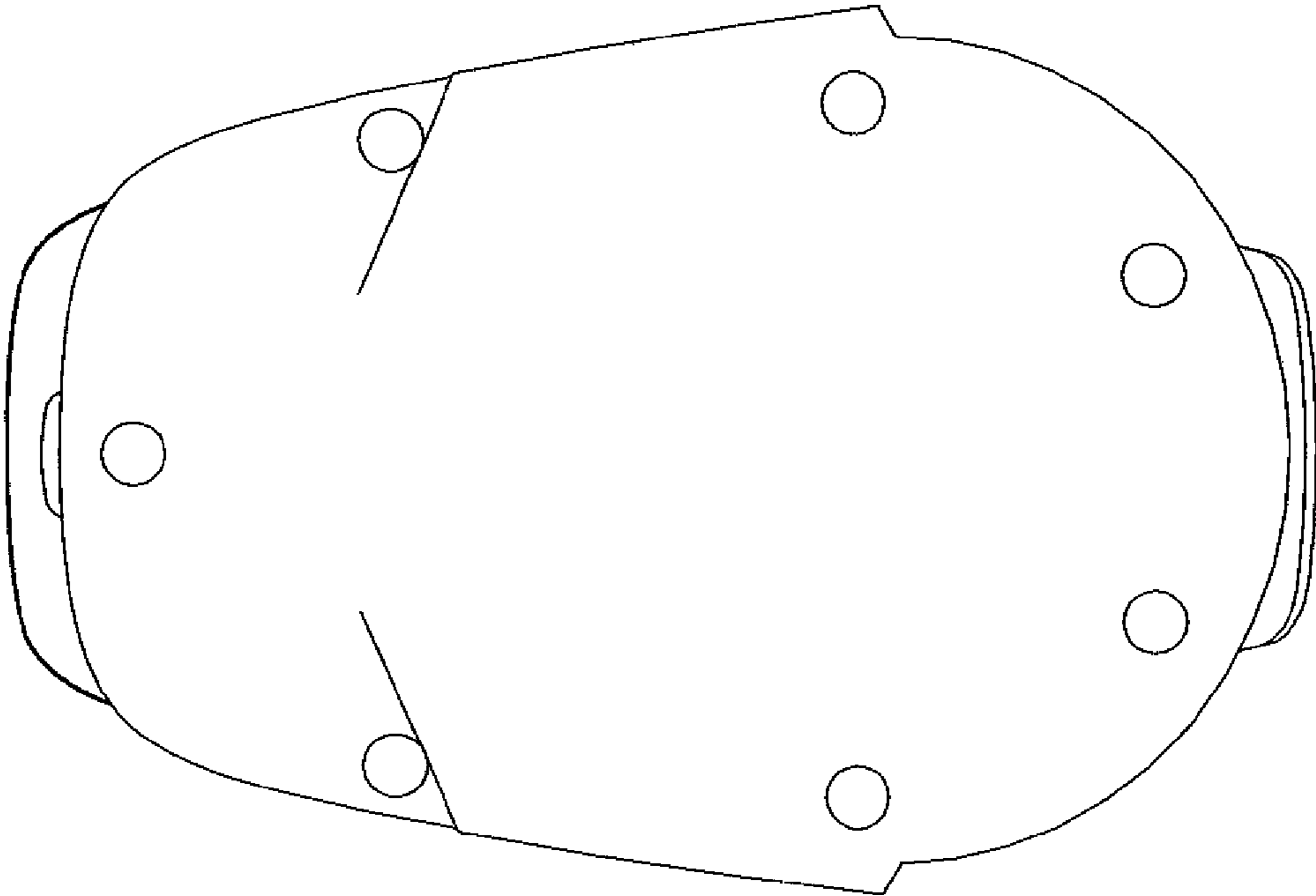


FIG 7