



US00D649828S

(12) **United States Design Patent**  
**Minshall et al.**

(10) **Patent No.:** **US D649,828 S**  
(45) **Date of Patent:** **\*\* Dec. 6, 2011**

(54) **COMBINED BARBECUE SHELF AND CONSOLE**

(75) Inventors: **Patrick Minshall**, Caledon (CA);  
**Sydney Barkhouse**, Oakville (CA);  
**Shawn Long**, Orangeville (CA); **Orrin Bowser**, Barrie (CA)

(73) Assignee: **Wolfedale Engineering Limited**,  
Brampton, ON (CA)

(\*\*) Term: **14 Years**

(21) Appl. No.: **29/355,192**

(22) Filed: **Feb. 4, 2010**

**Related U.S. Application Data**

(62) Division of application No. 29/332,225, filed on Feb. 11, 2009, now Pat. No. Des. 634,578.

(30) **Foreign Application Priority Data**

Nov. 17, 2008 (CA) ..... 128629  
Jan. 7, 2009 (CA) ..... 129262

(51) **LOC (9) Cl.** ..... **07-02**

(52) **U.S. Cl.** ..... **D7/334**

(58) **Field of Classification Search** ..... D7/402,  
D7/407; 126/39 E, 41 R, 39 R; 431/343,  
431/354, 258; 137/853, 875; 239/553.3;  
99/447

See application file for complete search history.

(56) **References Cited**

**U.S. PATENT DOCUMENTS**

4,499,630 A 2/1985 Harris et al.  
D279,637 S 7/1985 Bromley  
D280,166 S 8/1985 Bromley  
D287,947 S 1/1987 Hicks et al.  
D307,858 S 5/1990 Yoo  
D328,001 S 7/1992 Kelly

5,323,758 A 6/1994 Minshall et al.  
5,499,427 A 3/1996 Bowman  
D395,199 S \* 6/1998 Haring et al. .... D7/407  
5,927,267 A 7/1999 McKenzie  
5,941,228 A 8/1999 McKenzie  
6,012,443 A \* 1/2000 Peug ..... 126/39 E  
D460,313 S 7/2002 Crookshanks et al.  
D462,234 S 9/2002 Alden et al.  
D462,564 S 9/2002 Brake et al.  
6,463,630 B1 10/2002 Howie, Jr.  
D467,489 S 12/2002 Rubinson  
D470,357 S 2/2003 Home  
D470,718 S 2/2003 Johnson  
D470,721 S \* 2/2003 Home ..... D7/407  
D472,422 S 4/2003 Pai  
D472,756 S 4/2003 Pai  
D474,070 S 5/2003 McKenzie  
6,561,179 B1 5/2003 Brake et al.  
D482,292 S 11/2003 Minshall et al.  
D482,950 S 12/2003 McKenzie

(Continued)

**FOREIGN PATENT DOCUMENTS**

CA 48732 9/1981

(Continued)

*Primary Examiner* — Ruth McInroy

(74) *Attorney, Agent, or Firm* — Knoble Yoshida & Dunleavy, LLC

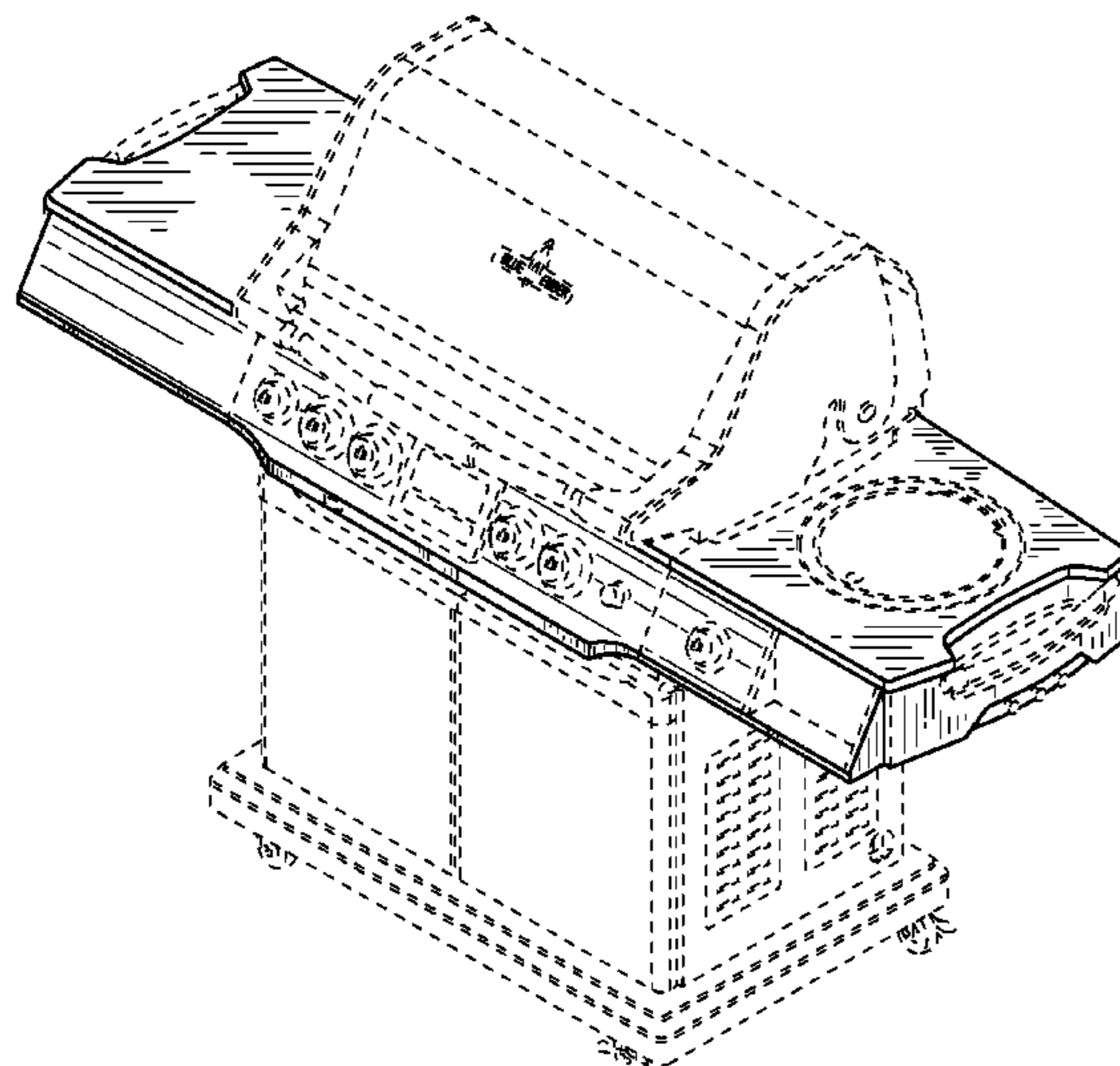
(57) **CLAIM**

The ornamental design for a combined barbecue shelf and console, as shown and described.

**DESCRIPTION**

FIG. 1 is an isometric view of a combined barbecue shelf and console showing our new design;  
FIG. 2 is a front view thereof;  
FIG. 3 is a top plan view thereof; and,  
FIG. 4 is a side view thereof.  
The details shown in broken lines are for illustrative purposes only and form no part of the claimed design.

**1 Claim, 4 Drawing Sheets**



# US D649,828 S

Page 2

## U.S. PATENT DOCUMENTS

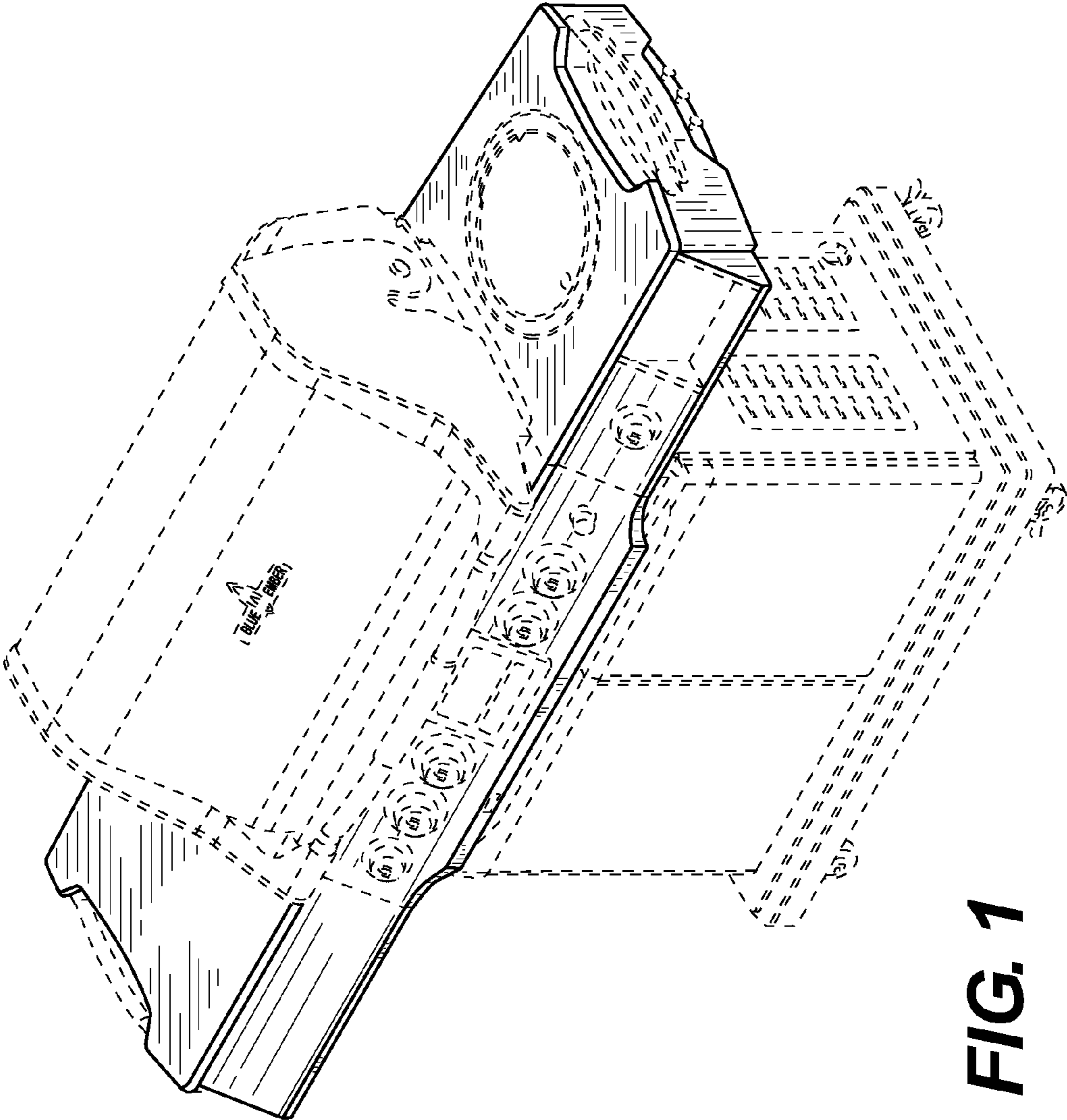
6,687,957	B2	2/2004	Worrell	
6,699,036	B2 *	3/2004	Schlosser et al.	431/354
6,726,159	B2	4/2004	Brake	
D493,090	S	7/2004	Chen et al.	
D495,200	S	8/2004	McKenzie	
6,854,812	B2	2/2005	Brake	
D511,650	S	11/2005	McKenzie	
D521,308	S	5/2006	Tseng	
D528,848	S	9/2006	Chung	
D533,010	S	12/2006	Pai	
D533,011	S	12/2006	Pai	
D536,927	S	2/2007	McKenzie	
D538,592	S	3/2007	McKenzie	
D538,593	S	3/2007	McKenzie	
D539,087	S	3/2007	McKenzie	
7,207,326	B2	4/2007	McKenzie et al.	
D541,588	S	5/2007	McKenzie	
D542,089	S	5/2007	McKenzie	
D544,753	S *	6/2007	Tseng	D7/407
D546,116	S	7/2007	Tseng	
D546,622	S	7/2007	McKenzie	
D546,624	S	7/2007	Pai	
D548,007	S *	8/2007	Chung	D7/407
D549,511	S	8/2007	Chung	
D549,514	S	8/2007	Chung	
D549,521	S	8/2007	McKenzie	
7,267,544	B2 *	9/2007	Spangrud	431/354
D553,430	S *	10/2007	Williams et al.	D7/407
D559,619	S	1/2008	McKenzie	
D560,418	S	1/2008	Chau et al.	
D560,419	S	1/2008	Lockhart et al.	
D562,267	S	2/2008	Renner	
D562,780	S	2/2008	Egea Soler	
D563,150	S	3/2008	Chau et al.	
D568,648	S	5/2008	Roussel et al.	
D570,790	S	6/2008	Egea Soler	
D571,142	S	6/2008	Chung	
D571,602	S	6/2008	Chung	
D571,604	S	6/2008	Chung	
D571,605	S	6/2008	Chung	
D580,221	S	11/2008	McKenzie	
D581,199	S	11/2008	Chau	
D581,735	S	12/2008	McKenzie	
D581,879	S	12/2008	Dukerschein et al.	

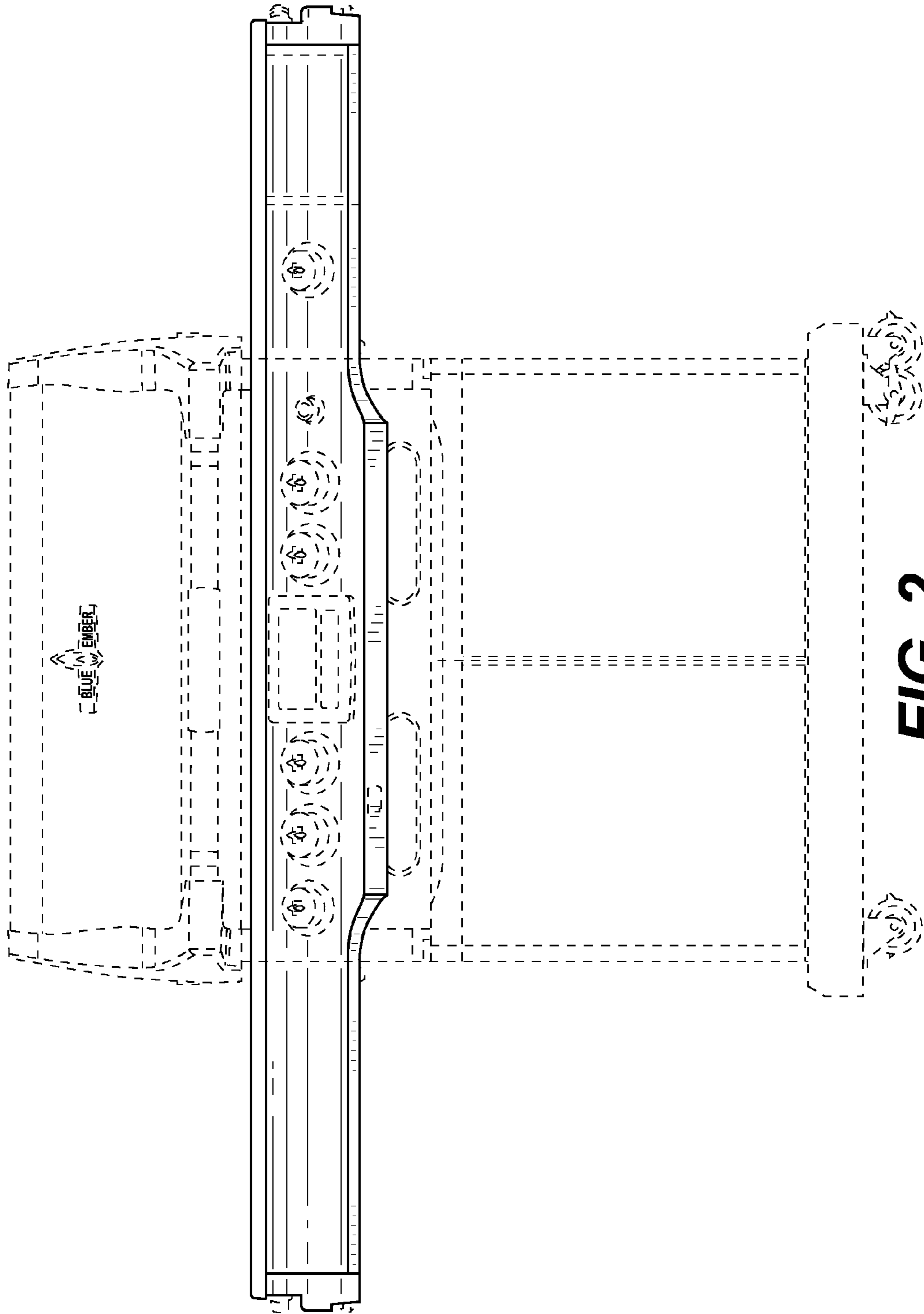
D582,715	S	12/2008	Pai	
D584,562	S	1/2009	Chau et al.	
D589,749	S *	4/2009	Leavens et al.	D7/407
D595,664	S	7/2009	Simard et al.	
D602,737	S	10/2009	Barkhouse et al.	
D605,466	S	12/2009	Barkhouse et al.	
D607,241	S	1/2010	Clausen	
D609,045	S	2/2010	Bruno et al.	
D611,006	S	3/2010	Lanfear et al.	
D613,699	S	4/2010	Goyal et al.	
2002/0020303	A1	2/2002	Johnson	
2002/0020405	A1	2/2002	Coleman et al.	
2003/0029436	A1	2/2003	Carden et al.	
2003/0154971	A1	8/2003	Chapman	
2004/0154608	A1	8/2004	Ward et al.	
2008/0210217	A1 *	9/2008	Offredi	126/39 E
2009/0250049	A1 *	10/2009	Tseng	126/39 E
2010/0071566	A1 *	3/2010	Liu	99/447

## FOREIGN PATENT DOCUMENTS

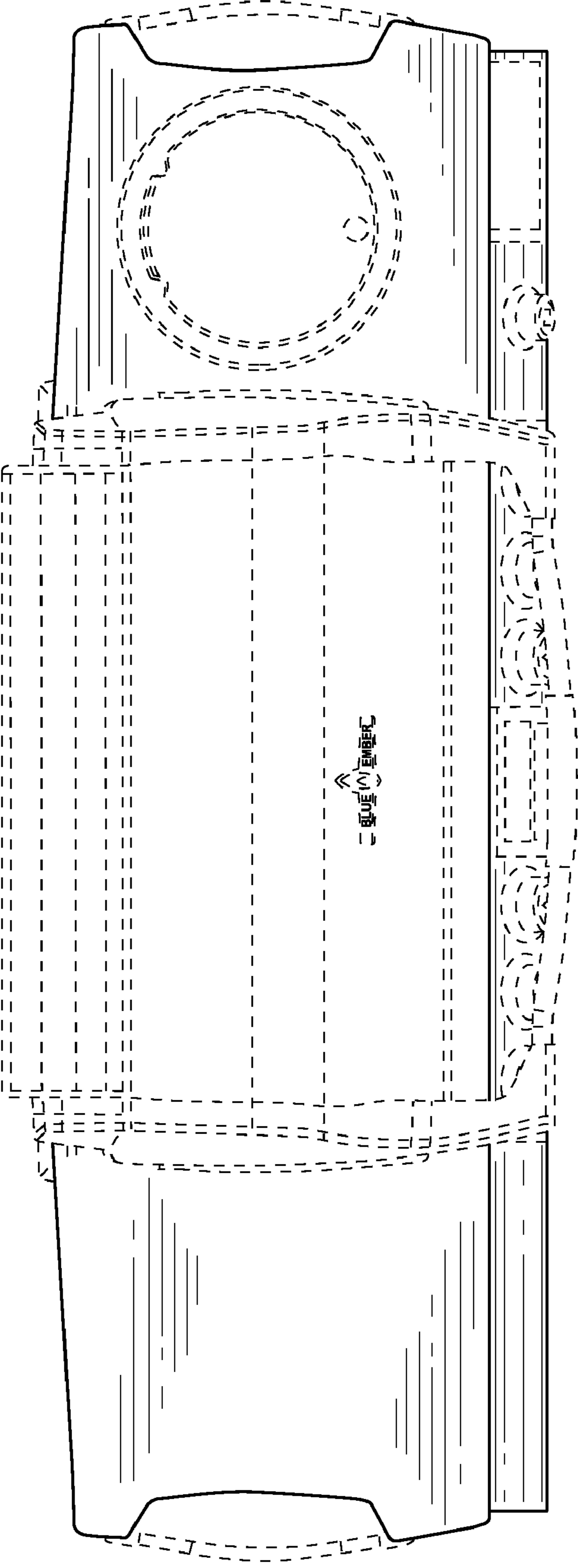
CA	2246010	A1	2/2000
CA	2280312	A1	2/2001
CA	2281382	A1	3/2001
CA	96899		1/2003
CA	96898		1/2004
CA	98382		1/2004
CA	101024		1/2004
CA	2418515	A1	8/2004
CA	2435868	A1	8/2004
CA	103849		1/2005
CA	103850		1/2005
CA	103851		1/2005
CA	103852		1/2005
CA	103853		1/2005
CA	2493654	A1	7/2006
CA	122175		3/2009
CA	122176		3/2009
CA	122177		3/2009
CA	122178		3/2009
EP	67111-0001		8/2003
EP	67111-0002		8/2003
EP	67111-0003		8/2003
EP	67111-0004		8/2003
EP	67111-0005		8/2003

\* cited by examiner

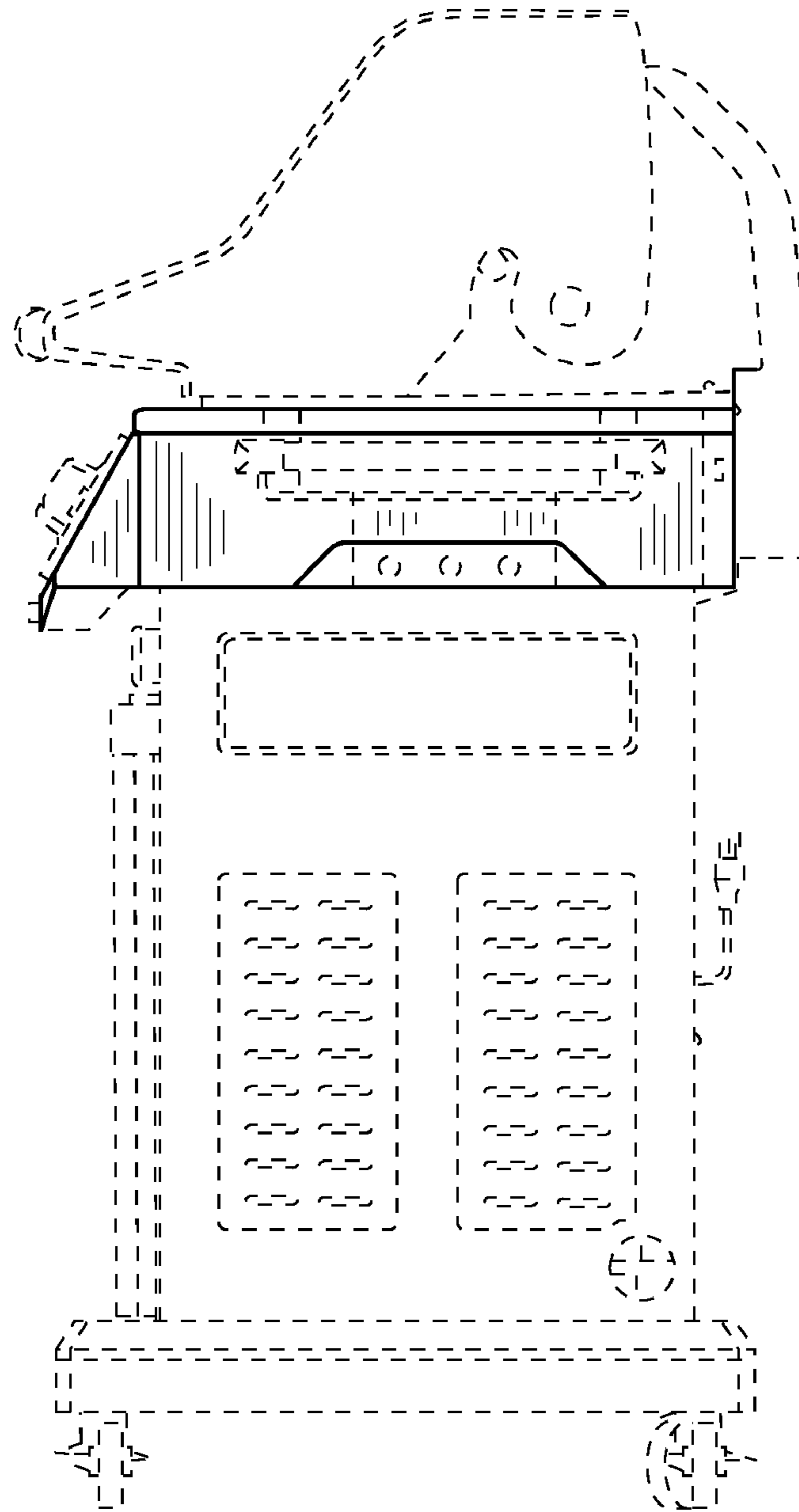




**FIG. 2**



**FIG. 3**



**FIG. 4**