



US00D649821S

(12) **United States Design Patent**
Oliver

(10) **Patent No.:** **US D649,821 S**

(45) **Date of Patent:** **** Dec. 6, 2011**

(54) **LOCKABLE TAMPON DISPENSER BOX**

(76) Inventor: **Anita A. Oliver**, Wilmington, DE (US)

(**) Term: **14 Years**

(21) Appl. No.: **29/381,215**

(22) Filed: **Dec. 16, 2010**

(51) **LOC (9) Cl.** **06-04**

(52) **U.S. Cl.** **D6/518**

(58) **Field of Classification Search** D6/542-545,
D6/553, 567, 574, 515-525; 206/77.1; 211/13.1,
211/86.01, 87.01; 221/14, 92, 649, 146.1,
221/146.2, 105; 222/281-282; D23/225;
D8/349, 354, 363, 373, 394; D24/155

See application file for complete search history.

(56) **References Cited**

U.S. PATENT DOCUMENTS

1,682,629 A	8/1928	Rossi	
1,773,329 A	8/1930	Upham	
3,445,037 A	5/1969	Rothbaum	
3,860,304 A	1/1975	Bolton	
4,308,974 A	1/1982	Jones	
4,750,640 A	6/1988	Kobeck et al.	
D309,067 S	7/1990	Arrias	
D390,734 S *	2/1998	Bailey D6/518

5,752,622 A	5/1998	Abell	
D418,702 S	1/2000	Mansel	
6,250,499 B1	6/2001	Gardner	
D472,398 S *	4/2003	Sparkowski D6/518
D607,251 S *	1/2010	Pattberg D6/518
D626,362 S *	11/2010	Martin D6/518
D631,269 S *	1/2011	Davenport D6/518

* cited by examiner

Primary Examiner — Brian N Vinson

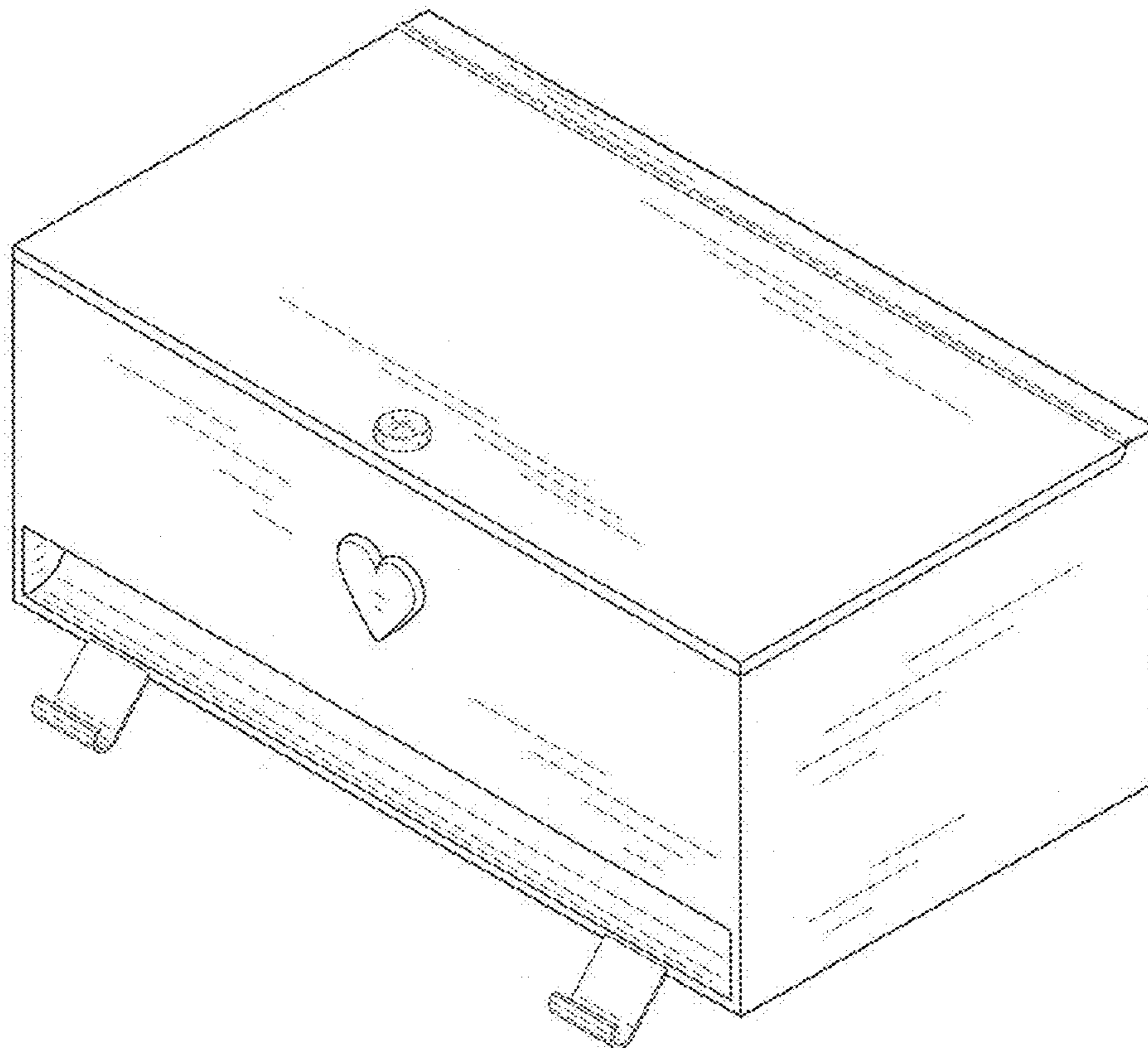
(57) **CLAIM**

The ornamental design for a lockable tampon dispenser box, as shown and described.

DESCRIPTION

FIG. 1 is a perspective view of a lockable tampon dispenser box showing my new design;
FIG. 2 is a front view thereof;
FIG. 3 is a back view thereof;
FIG. 4 is a side view (opposite side view is mirror image) thereof;
FIG. 5 is a top view thereof; and,
FIG. 6 is a bottom view thereof.

1 Claim, 6 Drawing Sheets



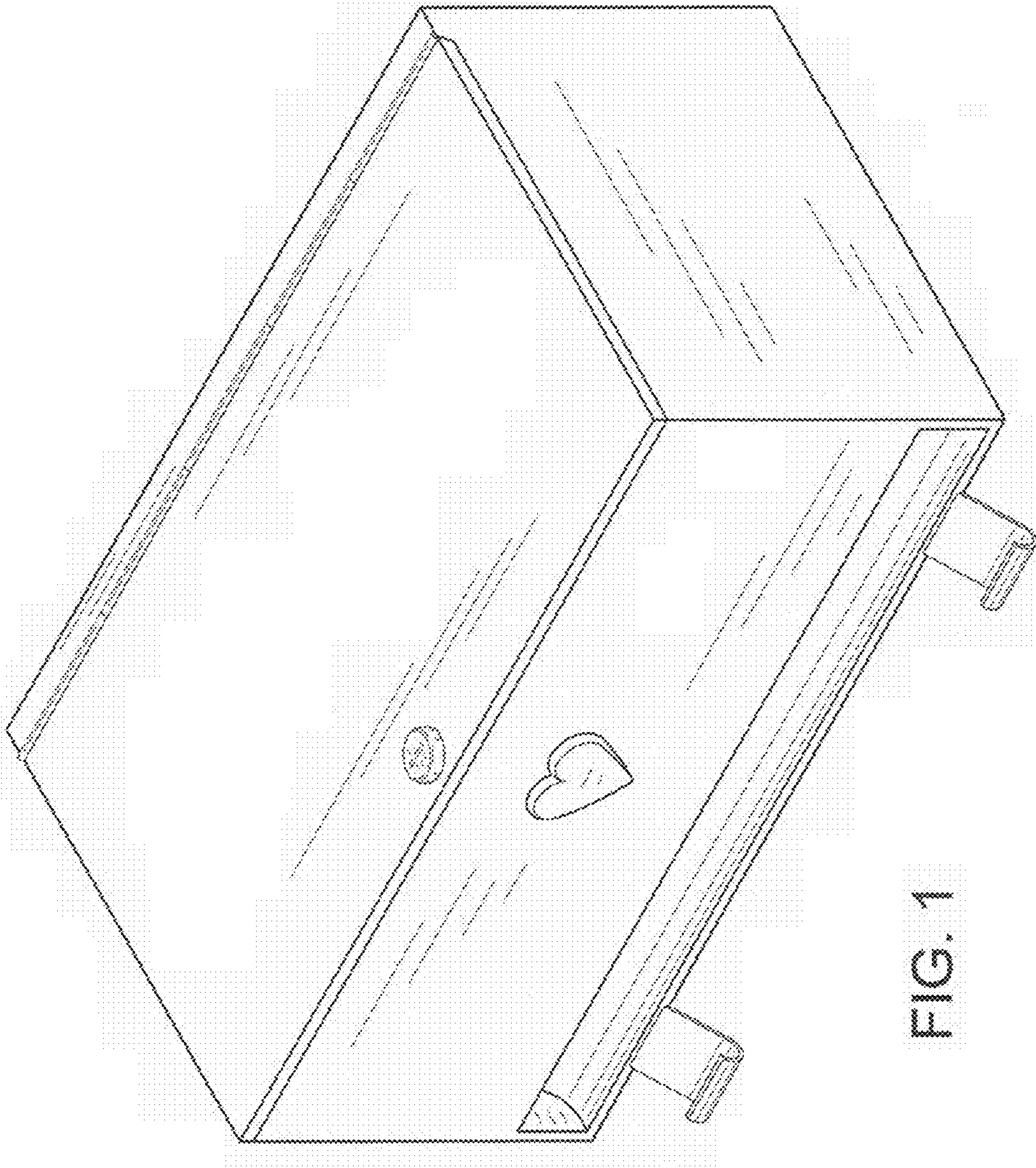


FIG. 1

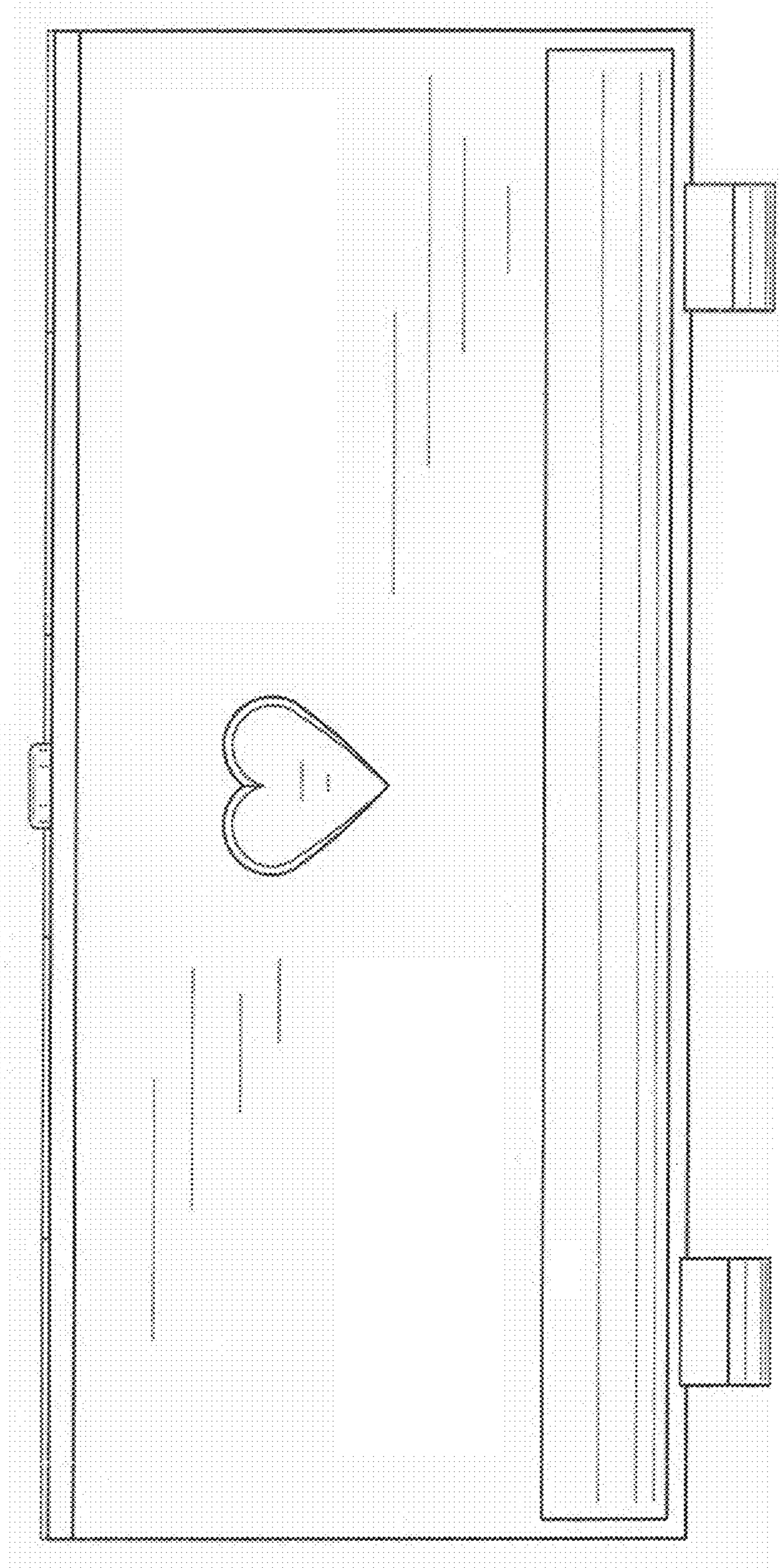


FIG. 2

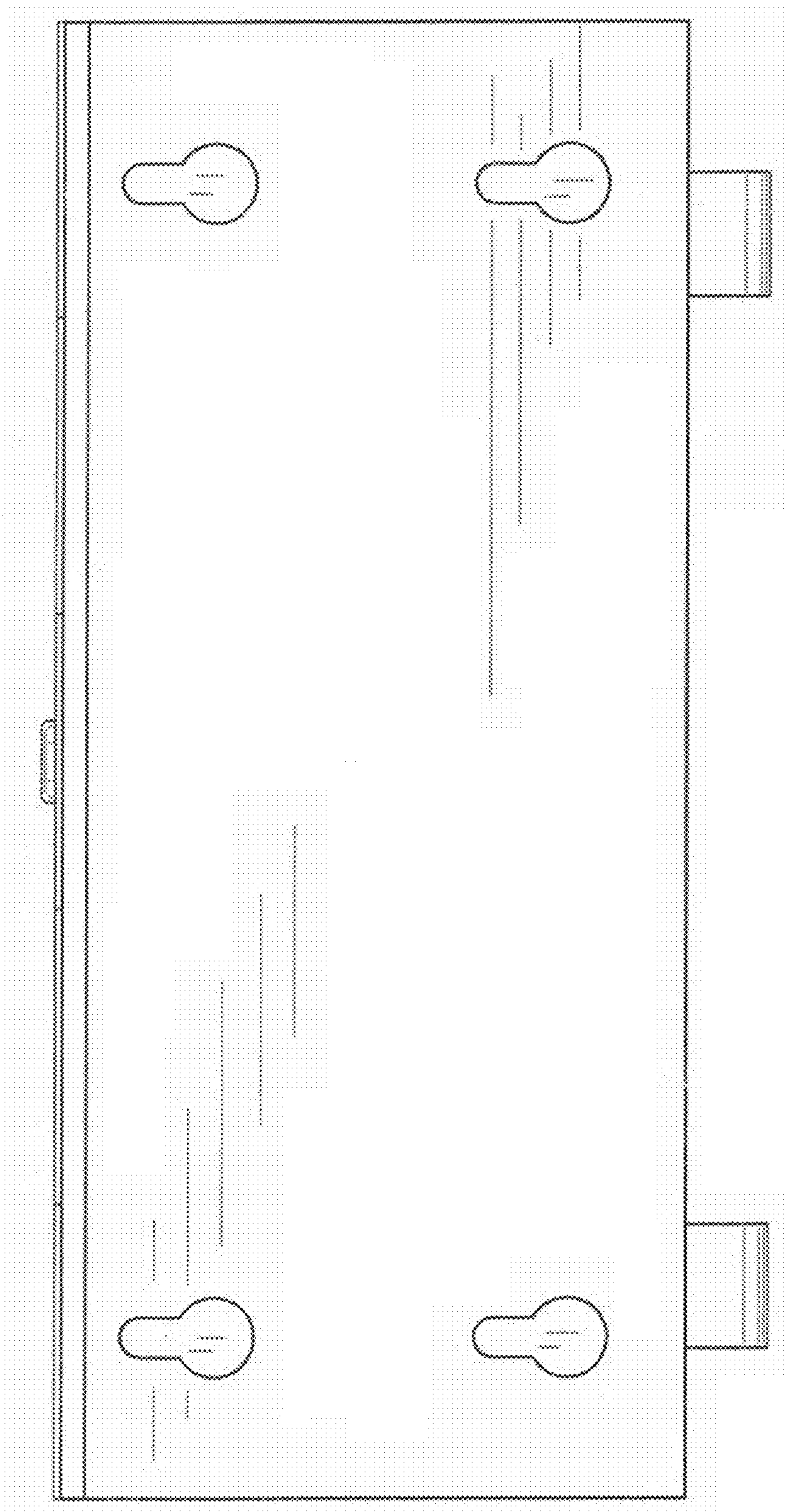


FIG. 3

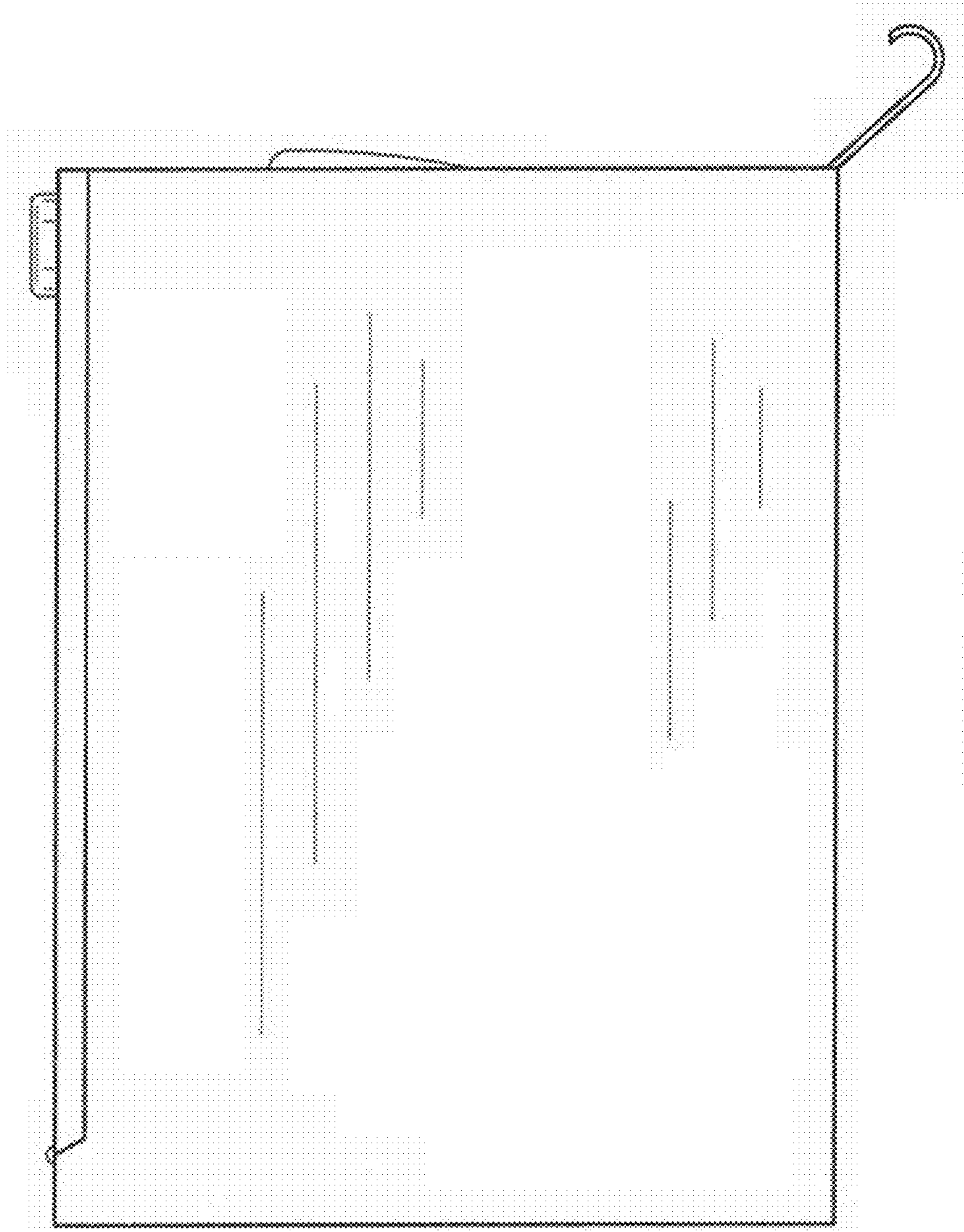
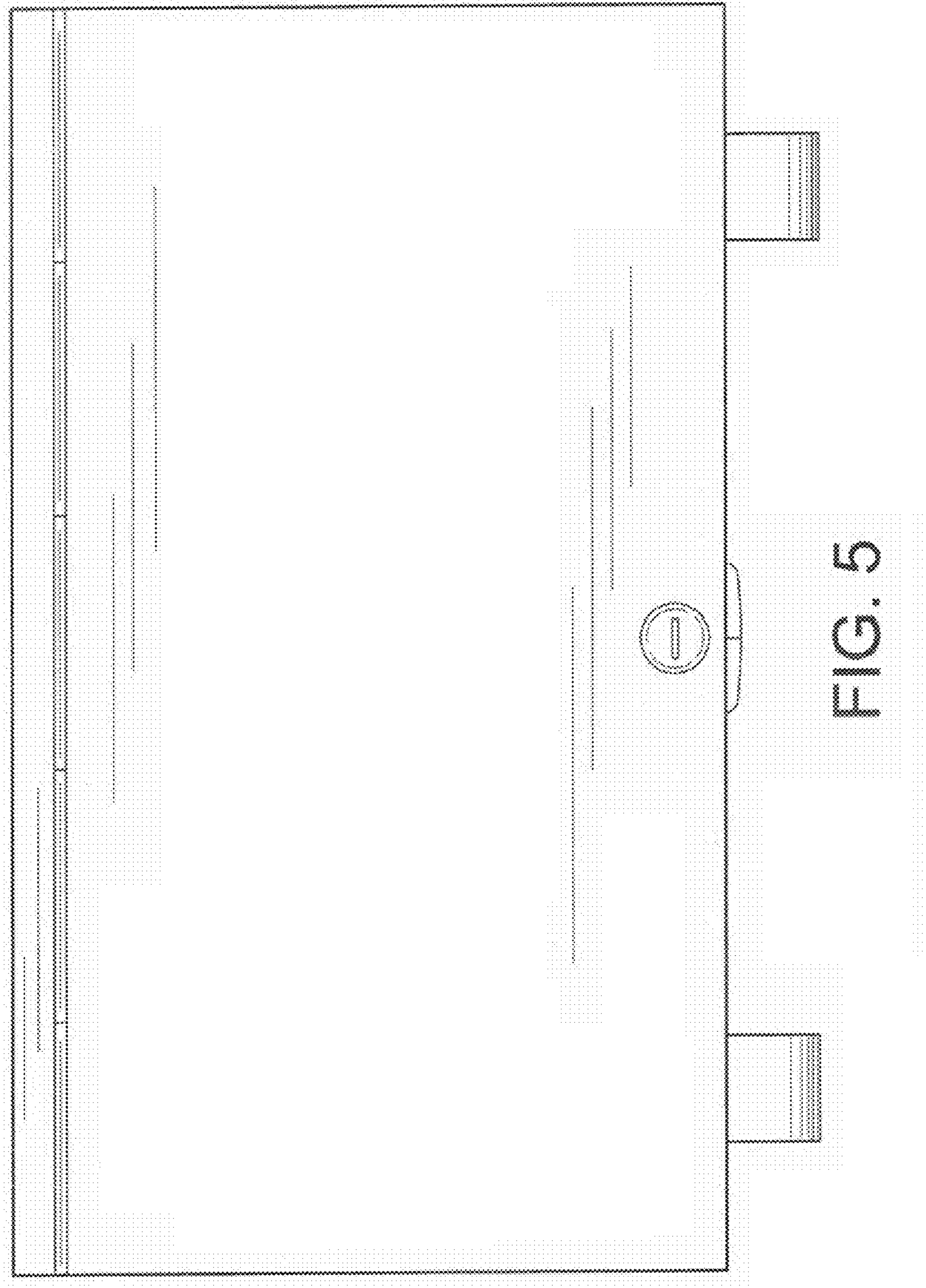


FIG. 4



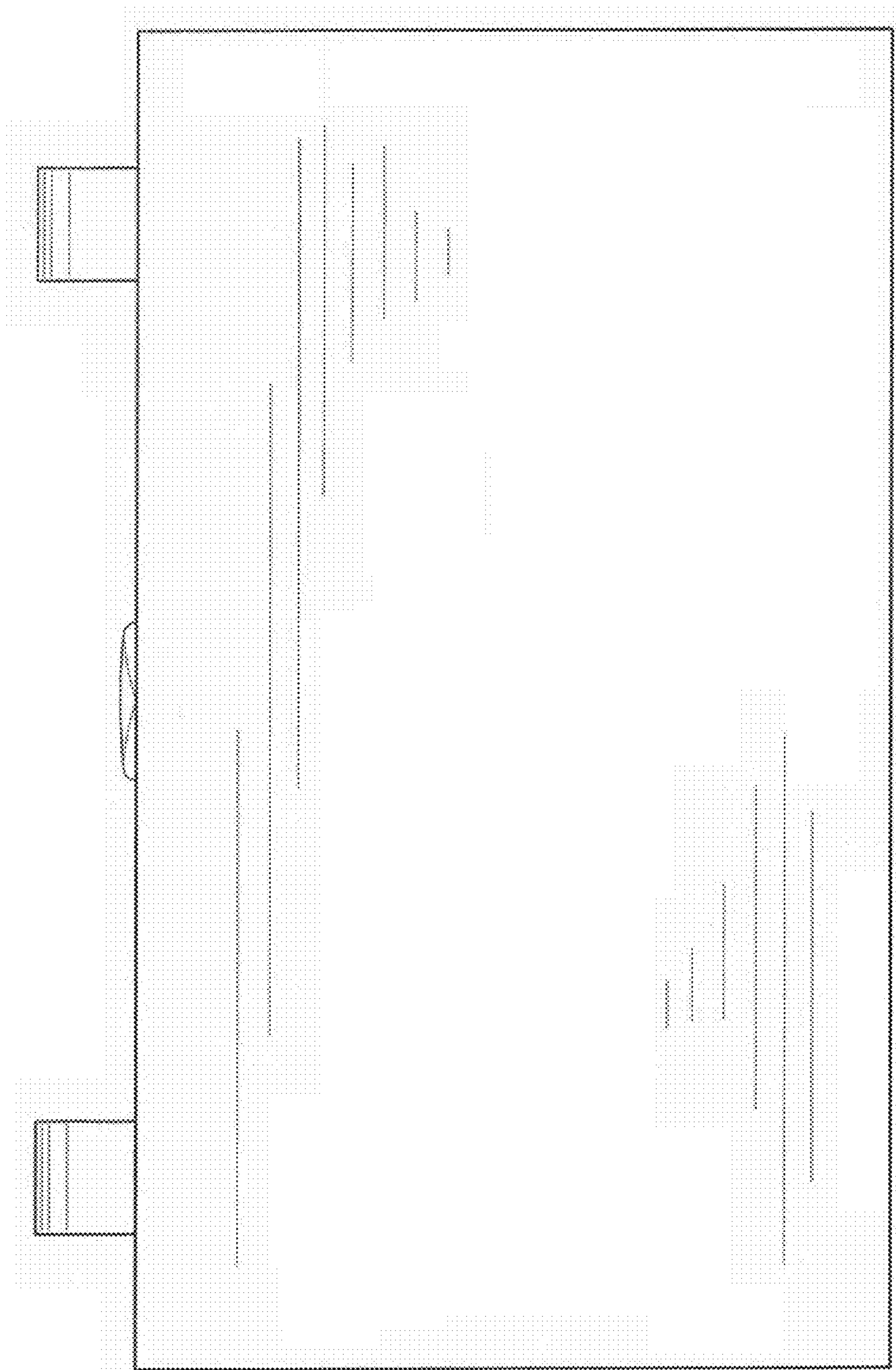


FIG. 6